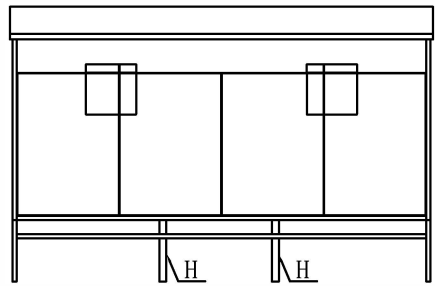
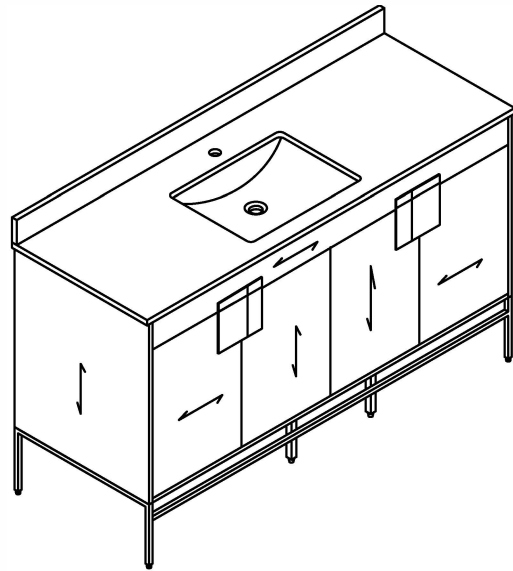


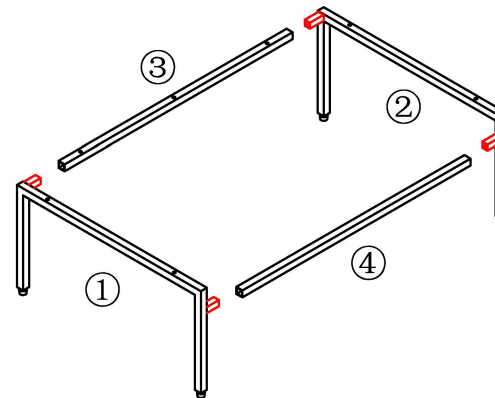
# Assembly Instruction



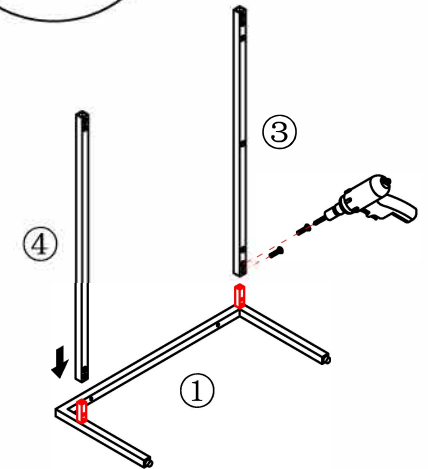
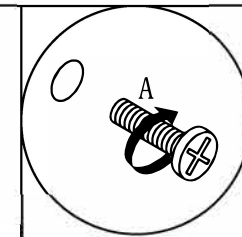
Front View



Step 1



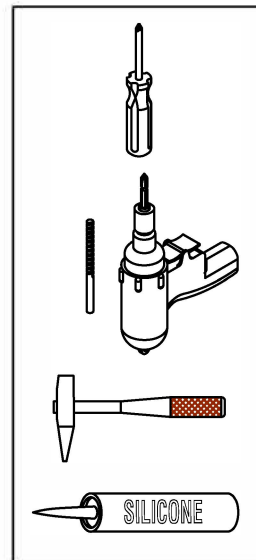
Step 2



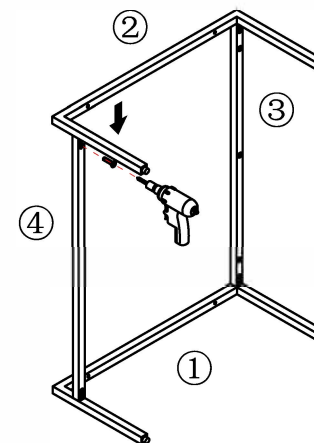
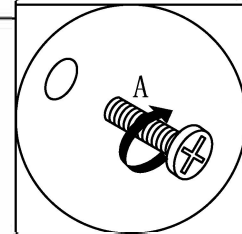
## Hardware

NO.	Draw	QTY
A	(M5*12mm)	8
B	(3.5*14)	23
C	(M4*18mm)	12
D		2
E		2
F		2
G		8
H		2

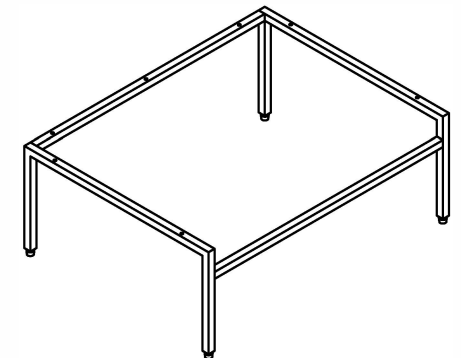
## Tools



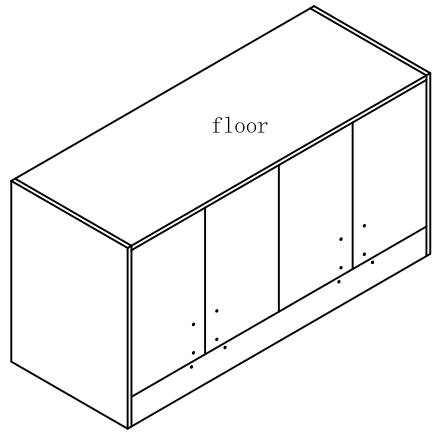
Step 3



Step 4

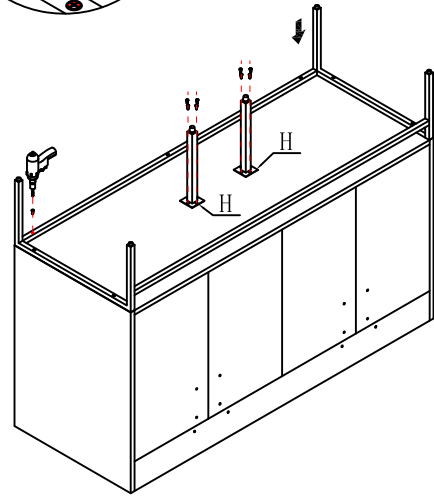
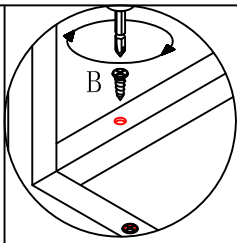


Step 5

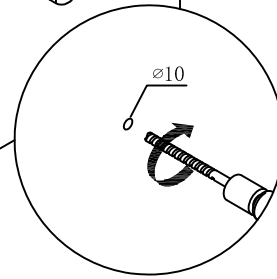
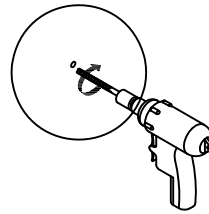


Cabinet handstand

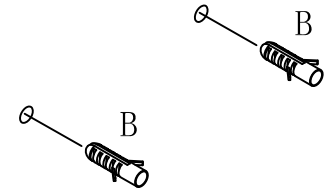
Step 6



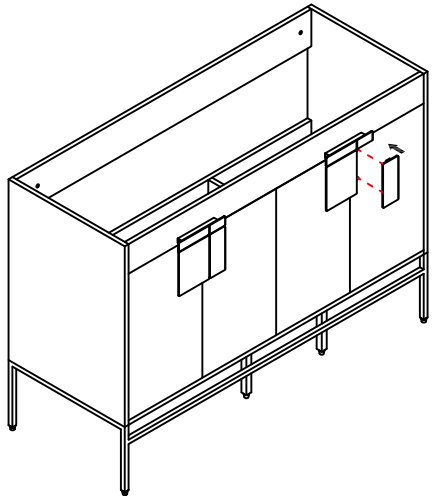
Step 9



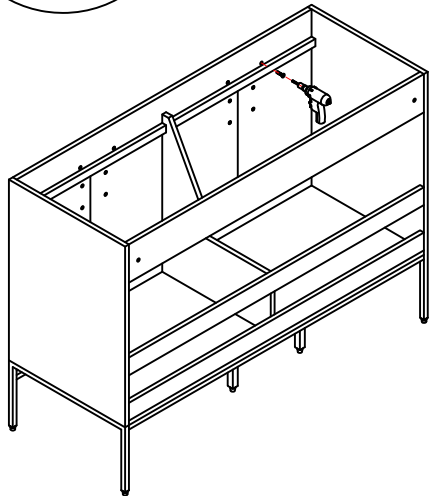
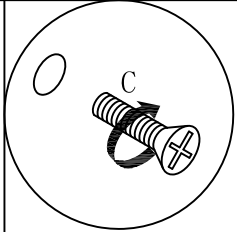
Step 10



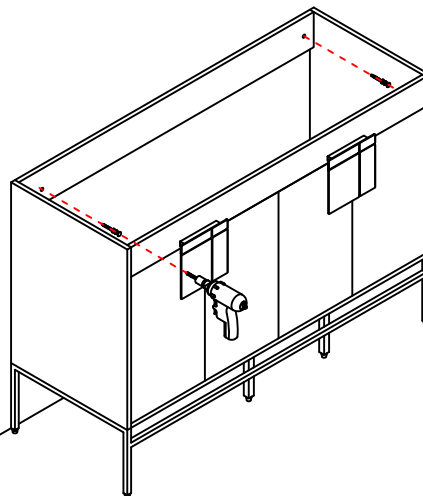
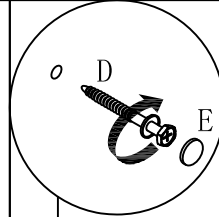
Step 7



Step 8



Step 11



Finished

