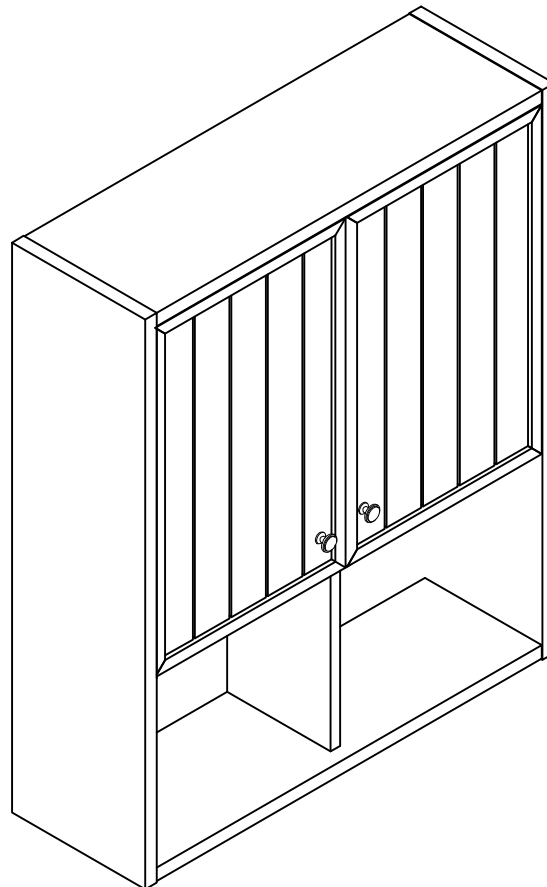


## Storage Cabinet Assembly & Care Instructions

---

### 25 Inch Storage Cabinet



Before you begin:

Please review all your packing materials carefully before discarding.

Some assembly parts may be packaged separately.

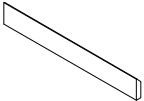


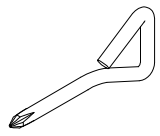
Confirm you have all the parts required for assembly and installation of this cabinet before discarding the packing materials.

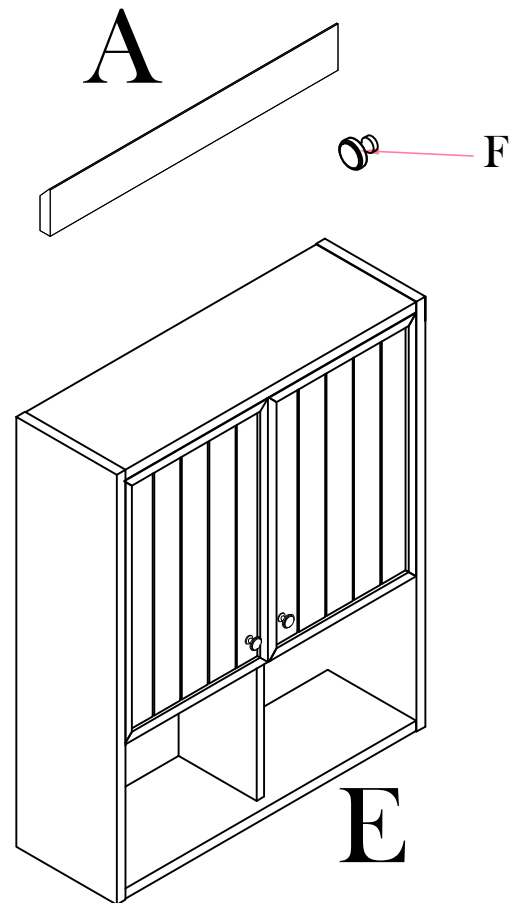
Carton Contents are shown on the top of Page 2.

## Carton Contents:

- A) Cabinet
- B) Mounting Bar (Pre-installed on the back of the cabinet)
- C) Mounting Bar( Packed with the cabinet)
- D) Decorative Knobs
- E) Hardware Bag

## PACKAGE CONTENTS

Part	Name Details	Picture	Amount
A	Mounting bar		1
B	Plastic Anchor		3
C	Screw #4*60mm		3
D	Triangle Screwdriver Ø5 x 3"		1



## Pre-Installation - Review:

Confirm the installation location of this cabinet is clear of obstructions.

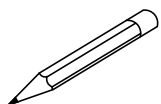
Recommended Tools and Equipment pictured below



Safety goggles.



Level



Pencil



Clean rag

## Manufactures Note:

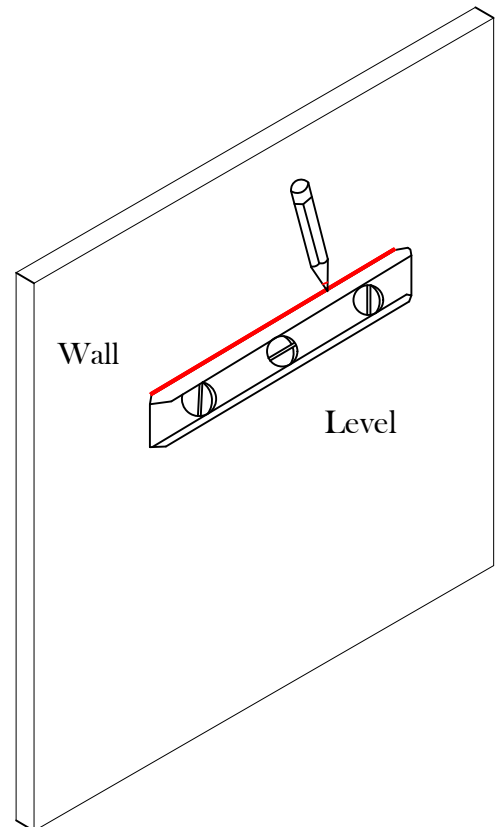
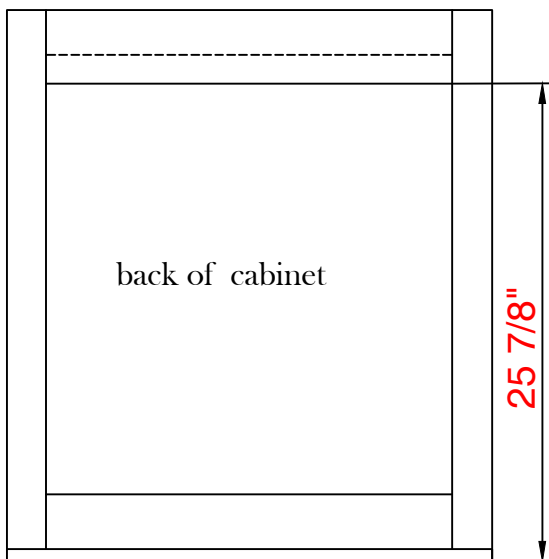
Brio Bathworks recommends you always consult with professional installers and contractors regarding the correct installation of this cabinet

Please keep this Assembly & Care Guide for future reference.

## Installation

---

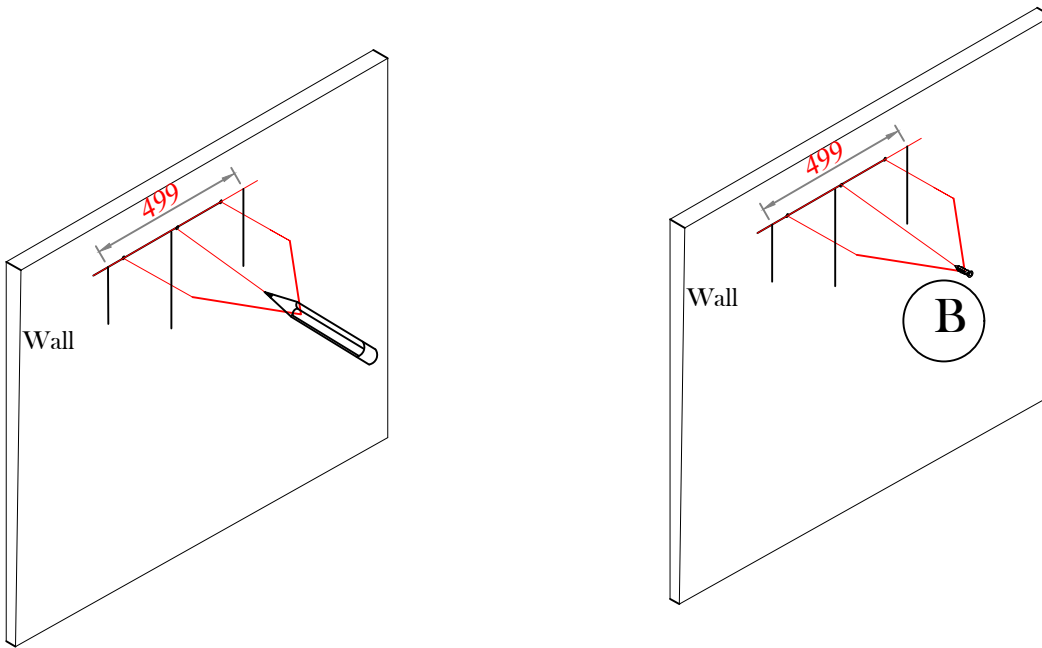
1. One mounting bar has been pre-installed to the backside of the cabinet  $25 \frac{7}{8}$ " from the bottom of the cabinet. Draw a horizontal line on the wall at your desired height.



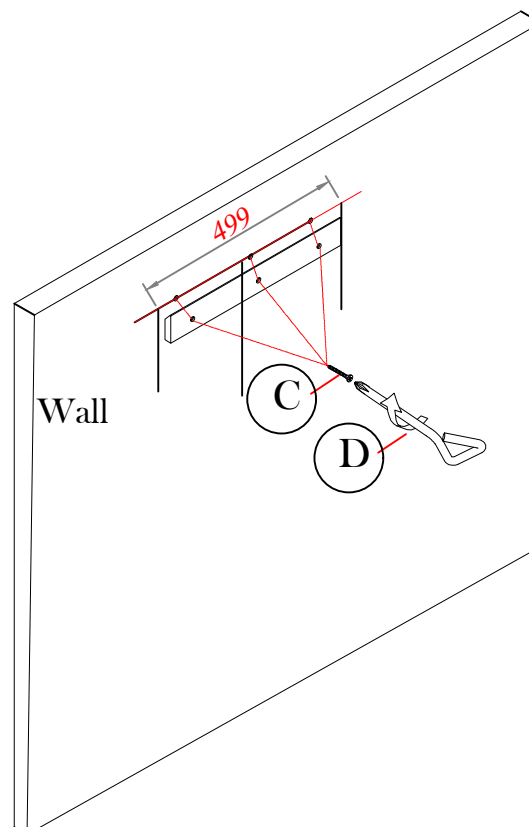
## Installation

---

2. Locate the position of the cabinet on the wall and draw a line in the center, with the center line as the center, draw two lines that are 499mm units apart. After you have located the wall studs, mark the positions with a pencil on the horizontal line so the holes align with the center points of the studs, drill holes in the positions and insert plastic anchors (B).

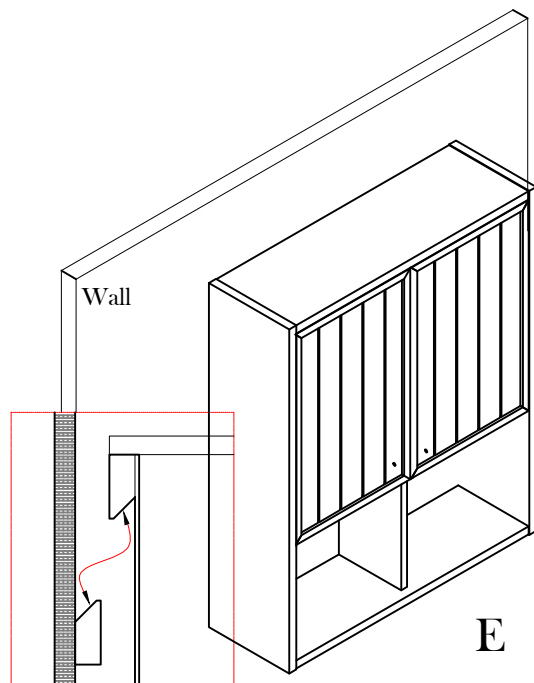


3. Align the ends of the other mounting bar (A) with the vertical lines on both sides, and insert the screws (C) into the plastic anchors through the bar.



# Installation

4. Hang the cabinet (E) on the mounting bar (A).



5. Remove the handles (F) from the inside of the doors, align the handles (F) with the pre-drilled holes located on the outside of the doors. Secure the handles (F) with bolts.

