

VIVOHOME

THANK
YOU!

NOTE:

To continuously improve its products, VIVOHOME reserves the right to modify this information without prior notification.

For any questions regarding assembly, please watch the video on the product page or contact our customer service. Our customer service will gladly assist you with any additional questions, comments, or concerns.

Thank you for using VIVOHOME products in your home!

Thank You for Purchasing from

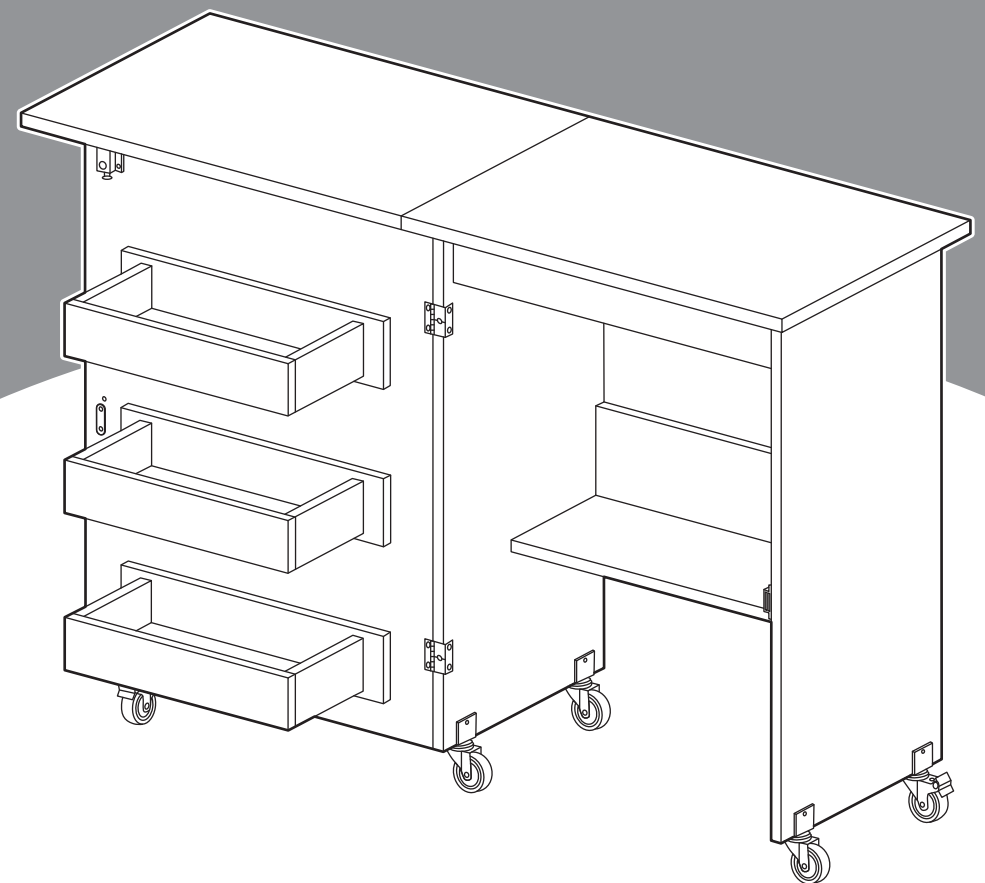
VIVOHOME

Made in China

VIVOHOME

HOW-TO

USER MANUAL



Sewing Cabinet

Assembly is EASY!

**WE WANT
YOU TO
ENJOY LIFE
AT HOME**

GO TO THE PRODUCT LISTING PAGE
FOR AN INSTRUCTIONAL VIDEO!

CONTENTS

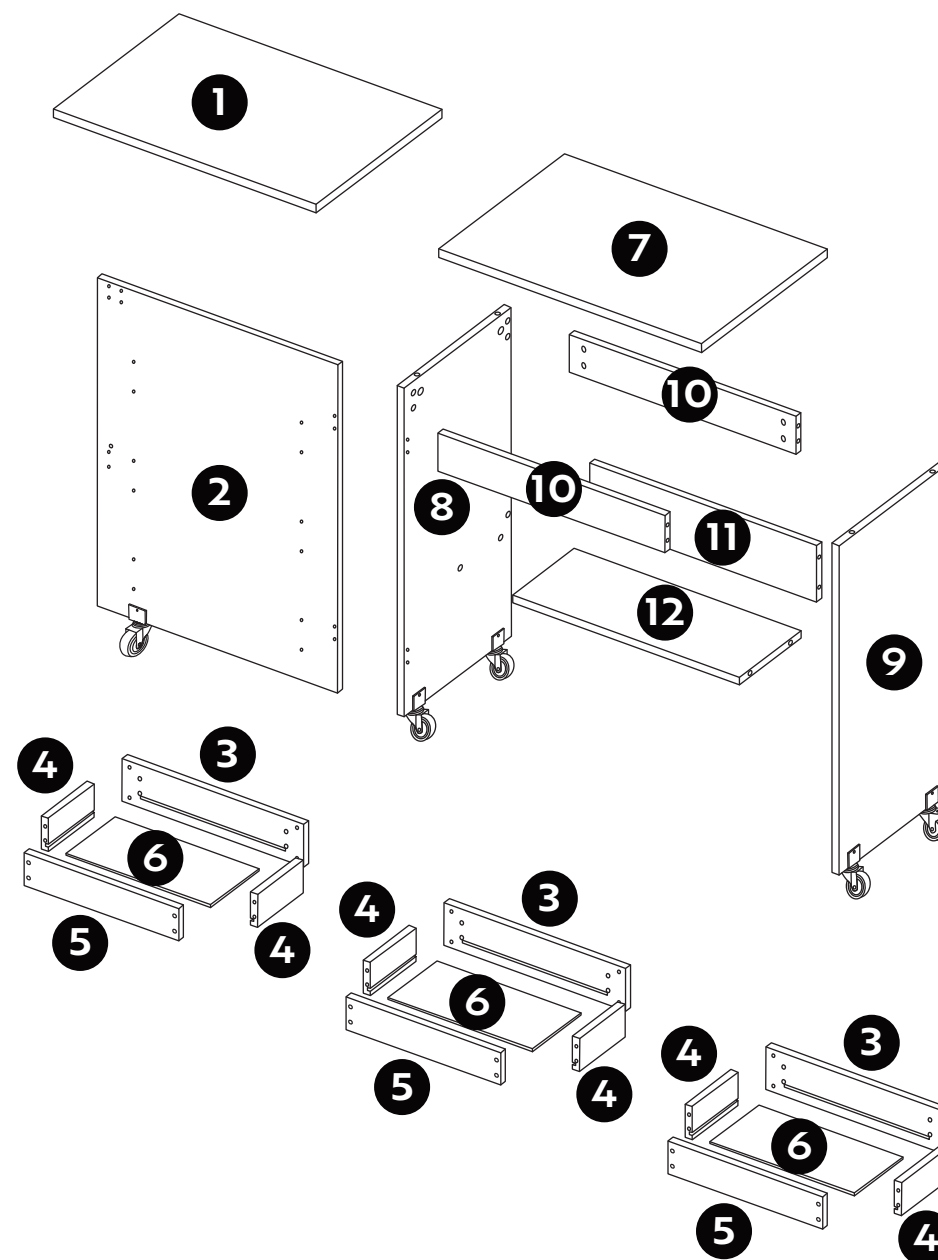
Warning	1
Note	1
Explosion View	2
Parts List	3
Use the Cam Lock and Quickfit.....	5
Assembly Steps	6
Warranty.....	20

Warning

- Children are not allowed to assemble the product. During assembly, keep all small parts out of the reach of children, as it may be fatal to swallow or inhale them.
- Children are forbidden to climb or play on the product. Climbing or playing on the product may result in serious bodily injuries.

Note

- The product must be assembled and used by the provisions of the manual.
- Avoid long-term exposure to humid environments to prevent mildew.
- Keep the product away from fire sources and high temperatures. Do not expose the product to direct sunlight.
- Do not place any hot objects directly on the surface of the product.
- If there are any defective or missing parts after unpacking, please cease assembly immediately and contact us.
- Please assemble the item on a spacious surface; to avoid product damage, do not place the unwrapped product directly on the ground.
- Please do not stand or sit on the wooden boards.
- Please keep the product away from sharp, pointed objects and corrosive substances to prevent product damage.
- If you find that the legs are loose, please tighten the screws as soon as possible to prevent the issue from persisting.

Explosion View

SECTION D
Parts List



Item No.	Reference Image	Qty.	Item No.	Reference Image	Qty.
1	 22.8*15.8 in. (L*W)	x1	2	 27.3*20.9 in. (L*W)	x1
3	 15.8*3.5 in. (L*W)	x3	4	 5.7*2.8 in. (L*W)	x6
5	 13.4*2.8 in. (L*W)	x3	6	 12.5*6.0 in. (L*W)	x3
7	 22.8*15.8 in. (L*W)	x1	8	 27.4*13.4 in. (L*W)	x1
9	 27.4*13.4 in. (L*W)	x1	10	 19.7*3.2 in. (L*W)	x2

SECTION D
Parts List

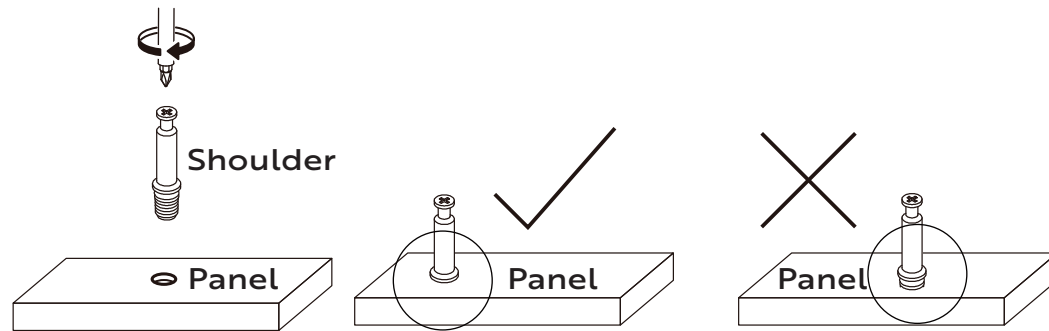


Item No.	Reference Image	Qty.	Item No.	Reference Image	Qty.
11	 19.7*4.7 in. (L*W)	x1	12	 19.7*7.7 in. (L*W)	x1
A	 M6*40mm	x20	G	 X2 X3 Caster	x1
B	 x20	x20	H	 x2	x2
C	 ST3.5X25mm	x12	J	 x2	x2
D	 ST3.5X20mm	x1	K	 ST3.5*14mm	x32
E	 ST3.5X14mm	x1	L	 Door stopper	x1
F	 ST5.5*40mm	x24	M	 M4*18mm	x1
	 Adhesive Screw Covers	x44			

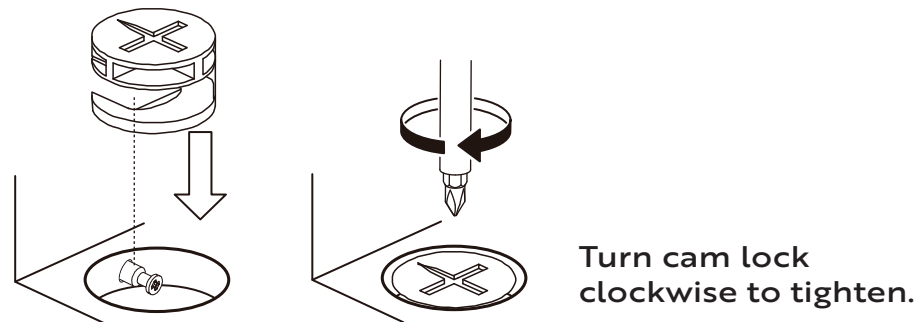
Use the Cam Lock and Quickfit



- Quickfit: Tighten the quickfit until it is flush against the panel. Do not under or over-tighten it.



- The cam lock should be inserted before the quickfit. Turn the cam lock clockwise to tighten. The head of the quickfit should be inserted in the center of the cam lock where the two panels are joined.



Assembly Steps

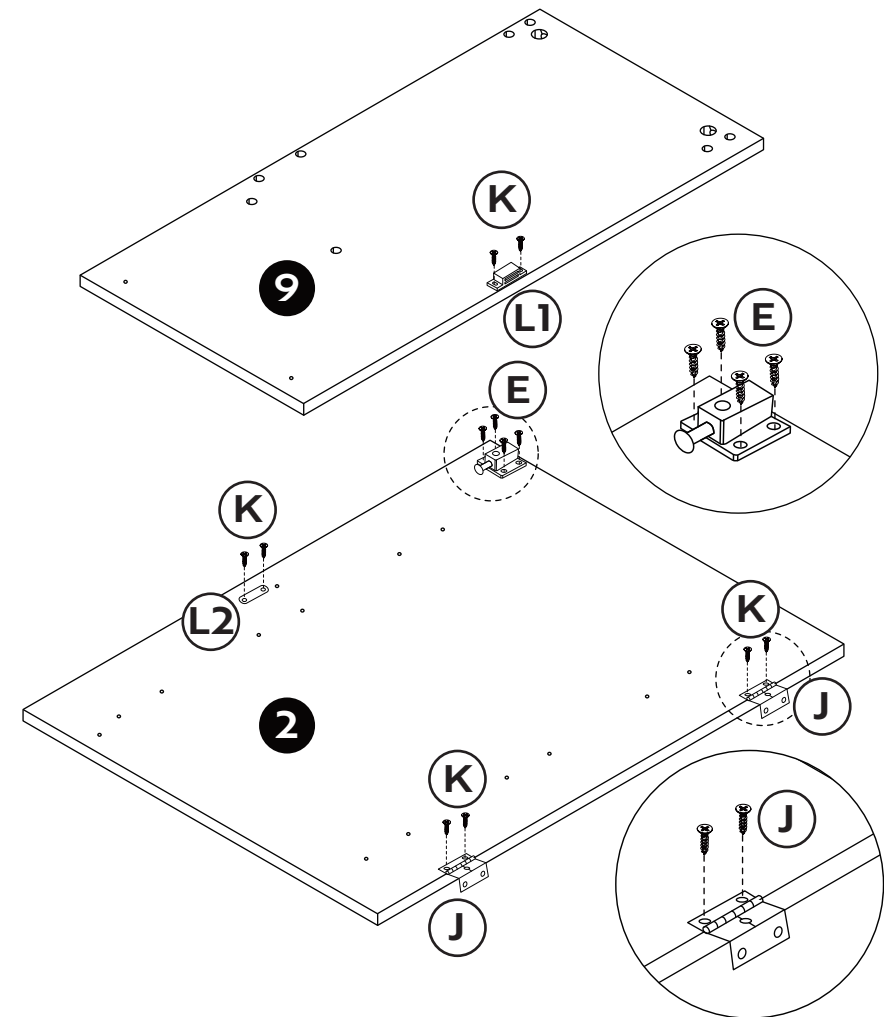


STEP 1

2 x 1 pc. 9 x 1 pc. K x 10 pcs. L1 x 1 pc.
L2 x 1 pc. J x 2 pcs. E x 1 pc.

Use Part K (2 pcs.) to fix Part L1 (1 pc.) on Part 9 (1 pc.). Use Part K (8 pcs.) to fix Part J (2 pcs.) and Part L2 (1 pc.) on Part 2 (1 pc.). Fix Part E (1 pc.) on Part 2 (1 pc.).

(Note: There are positioning holes in Part 2 and Part 9. Please fix the screws on the corresponding holes.)



Assembly Steps

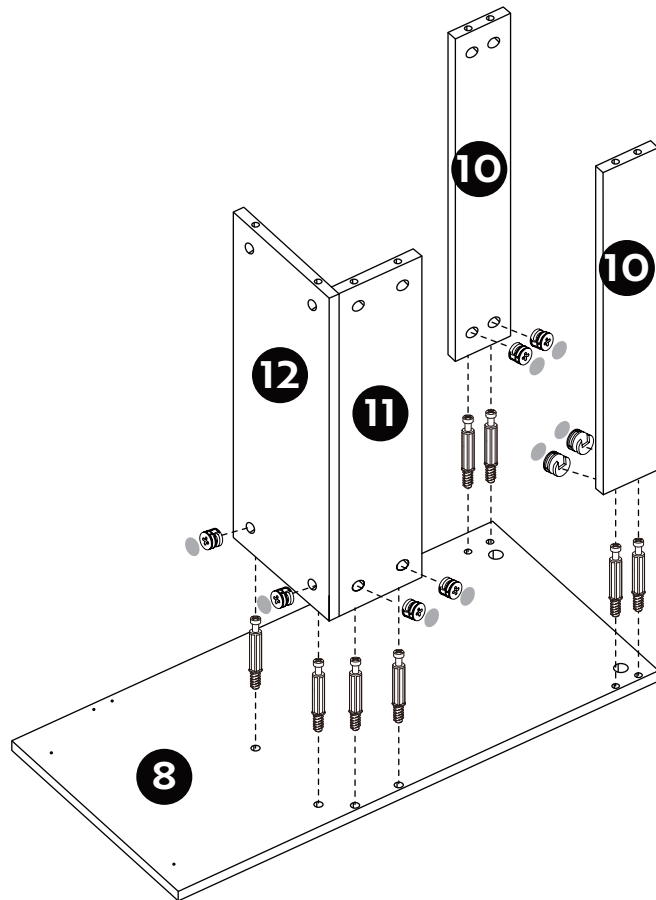
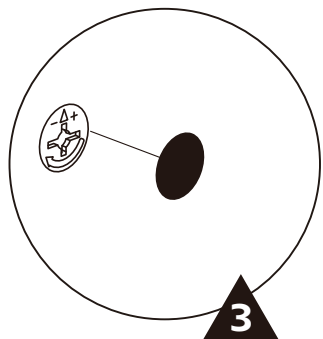
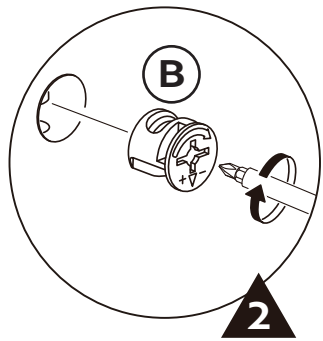
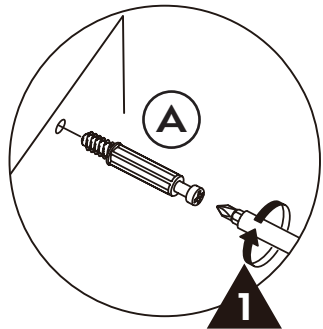


STEP 2

8 x 1 pc. **10** x 2 pcs. **11** x 1 pc. **12** x 1 pc.

A x 8 pcs. **B** x 8 pcs. Adhesive Screw Covers x 8 pcs.

First, fix Part A (8 pcs.) on Part 8 (1 pc.). Then connect Part 10 (2 pcs.), Part 11 (1 pc.), Part 12 (1 pc.), and Part 8 (1 pc.) to Part A (8 pcs.). Fix them with Part B (8 pcs.). Finally, stick the adhesive screw covers over the holes.



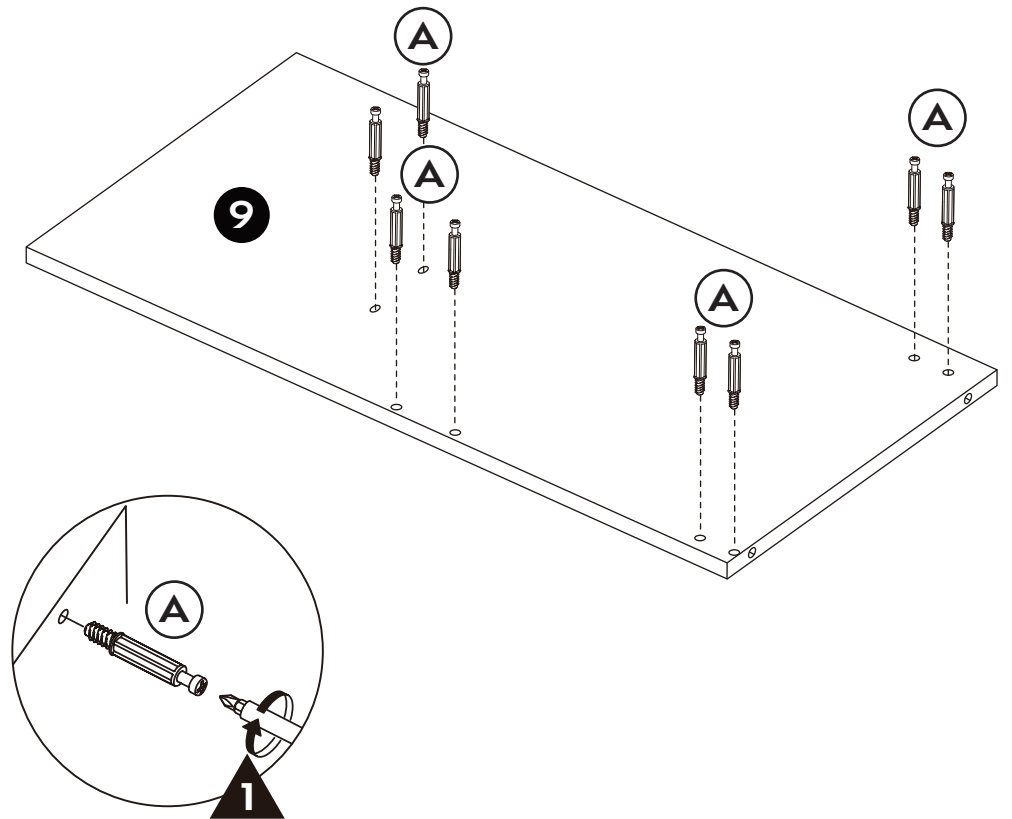
Assembly Steps



STEP 3

9 x 1 pc. **A** x 8 pcs.

Fix Part A (8 pcs.) on Part 9 (1 pc.).



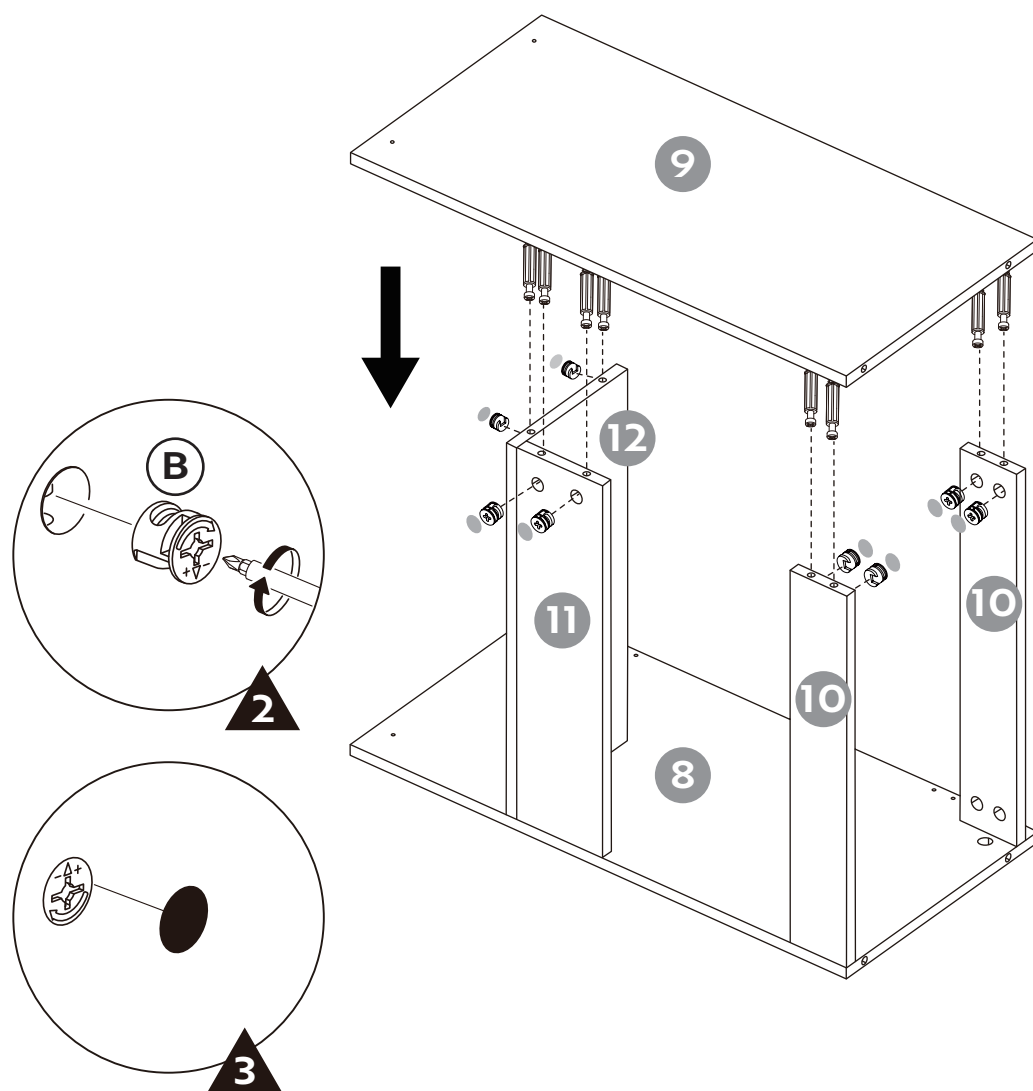
Assembly Steps



STEP 4

B x 8 pcs. Adhesive Screw Covers x 8 pcs.

Connect Part 9 (1 pc.) with Part 10 (2 pcs.), Part 11 (1 pc.), and Part 12 (1 pc.). Fix them with Part B (8 pcs.) and stick adhesive screw covers over the holes.



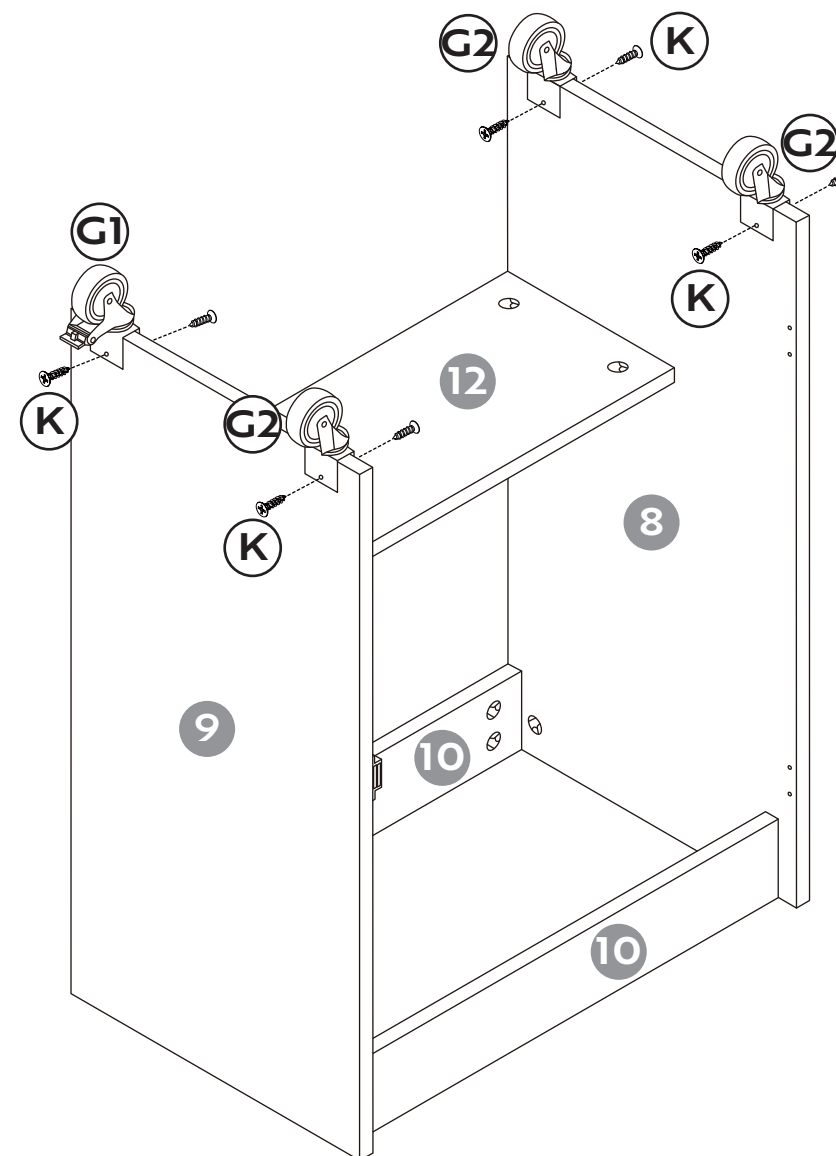
Assembly Steps



STEP 5

G1 x 1 pc. **G2** x 3 pcs. **K** x 8 pcs.

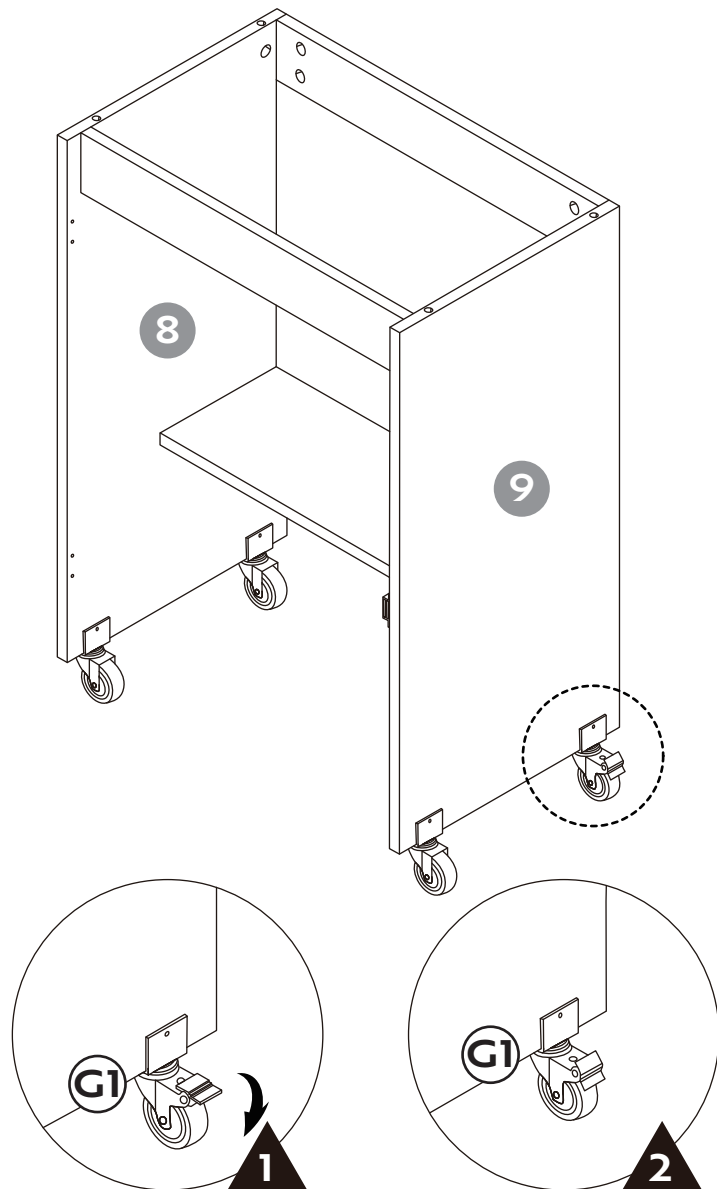
Use Part K (8 pcs.) to install Part G1 (1 pc.) and Part G2 (3 pcs.) on Part 8 (1 pc.) and Part 9 (1 pc.). (Please pay attention to the positions of Part G1 and Part G2, as shown in the figure below.)





STEP 6

Note: Part G1 is a wheel with a brake. The brake can be adjusted to stop the wheel from rolling.

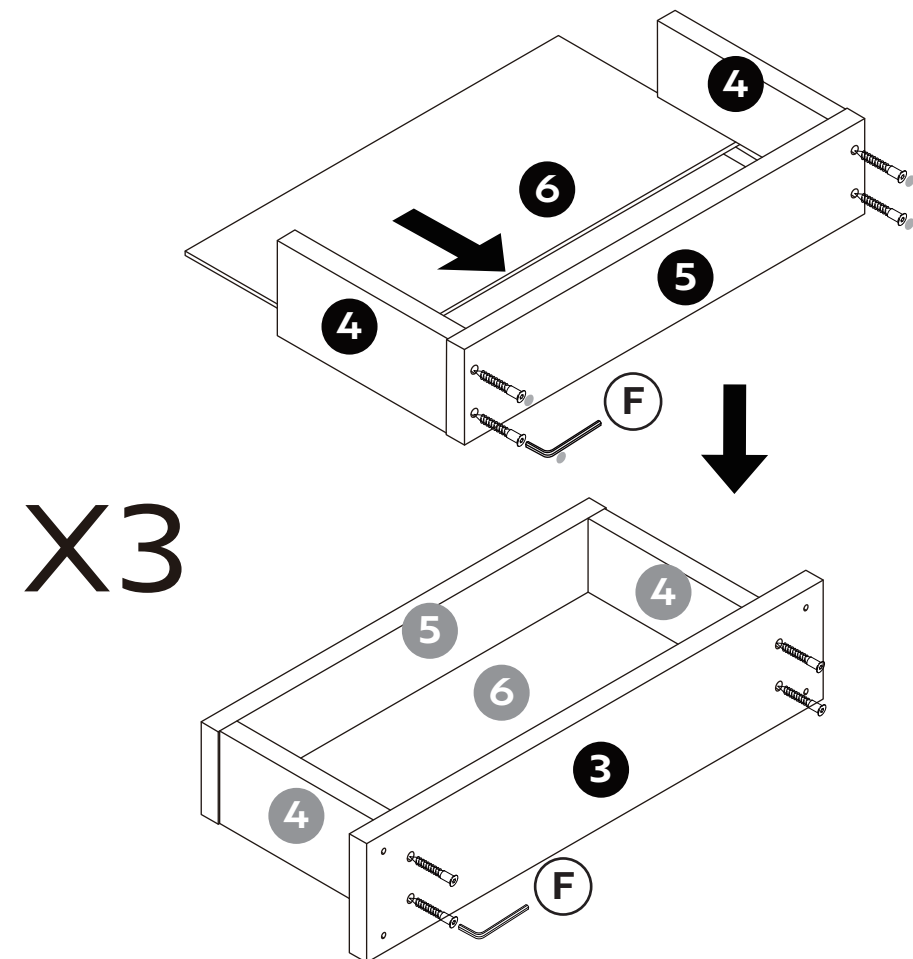


STEP 7

3 x 3 pcs. 4 x 6 pcs. 5 x 3 pcs. 6 x 3 pcs.

F x 24 pcs. Adhesive Screw Covers x 12 pcs.

Three cabinet organizers need to be installed in this step. First, use Part F (4 pcs.) to fix Part 4 (2 pcs.) on Part 5 (1 pc.). Next, insert Part 6 (1 pc.) into the slot of Part 4 (2 pcs.). Then use Part F (4 pcs.) to fix the other end of Part 3 (1 pc.) on Part 4 (2 pcs.). Repeat this step two more times to get three identical structures.



Assembly Steps

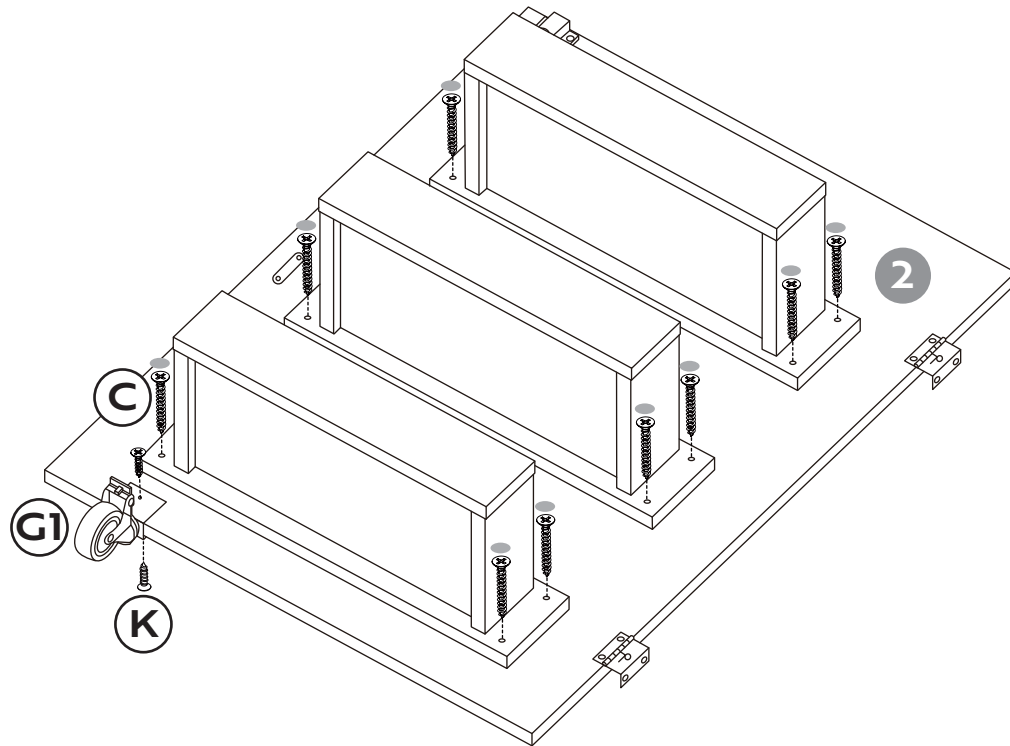


STEP 8

ⓐ x 12 pcs. Ⓚ x 2 pcs. ⓐⓁ x 1 pc.

Adhesive Screw Covers x 12 pcs.

Use Part C (12 pcs.) to fix the three cabinet organizers installed in Step 7 on Part 2 (1 pc.). Paste the adhesive screw covers (12 pcs.) on the holes. Then, use Part K (2 pcs.) to install Part G1 (1 pc.) on Part 2 (1 pc.).



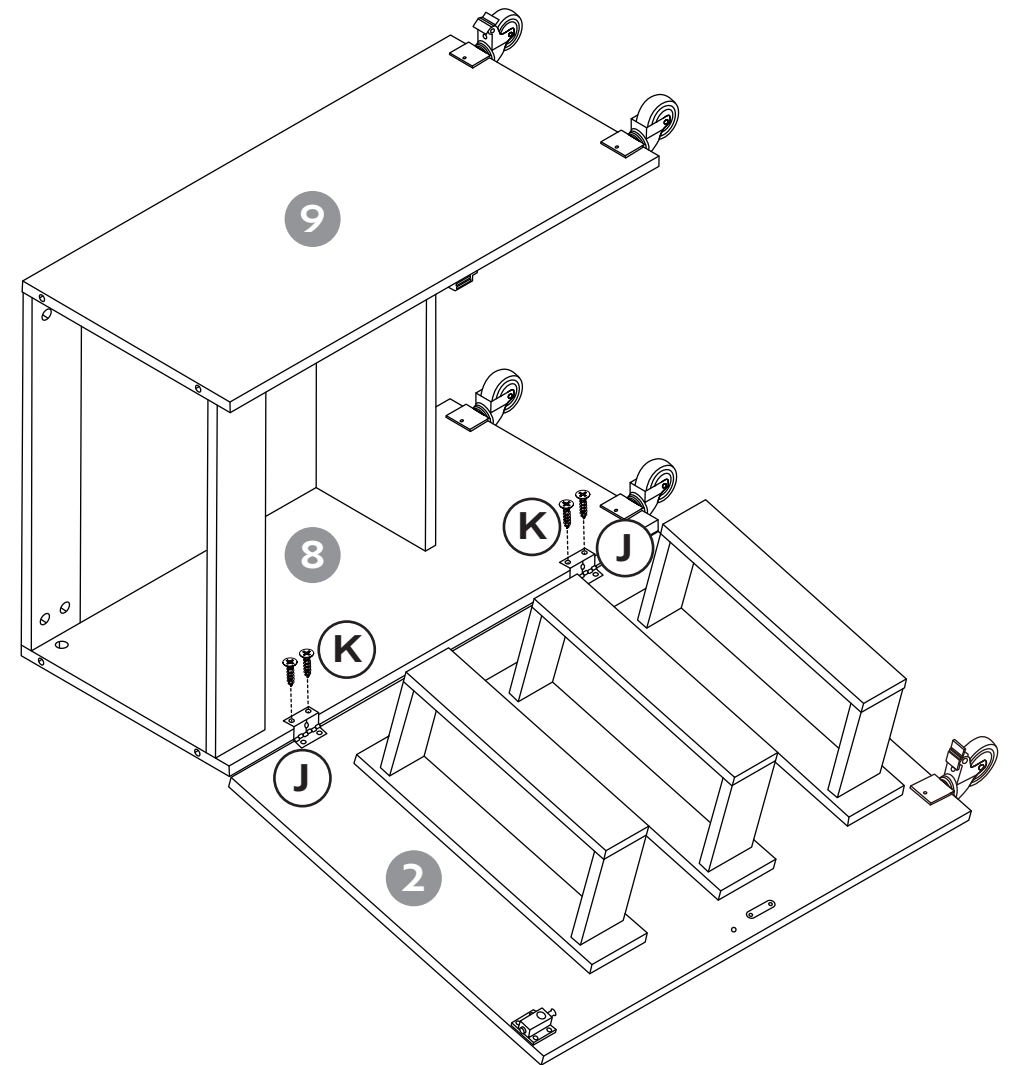
Assembly Steps



STEP 9

Ⓚ x 4 pcs.

Use Part K to fix the other side of Part J on Part 8. This will connect the assembled parts in Step 5 and Step 8.



Assembly Steps

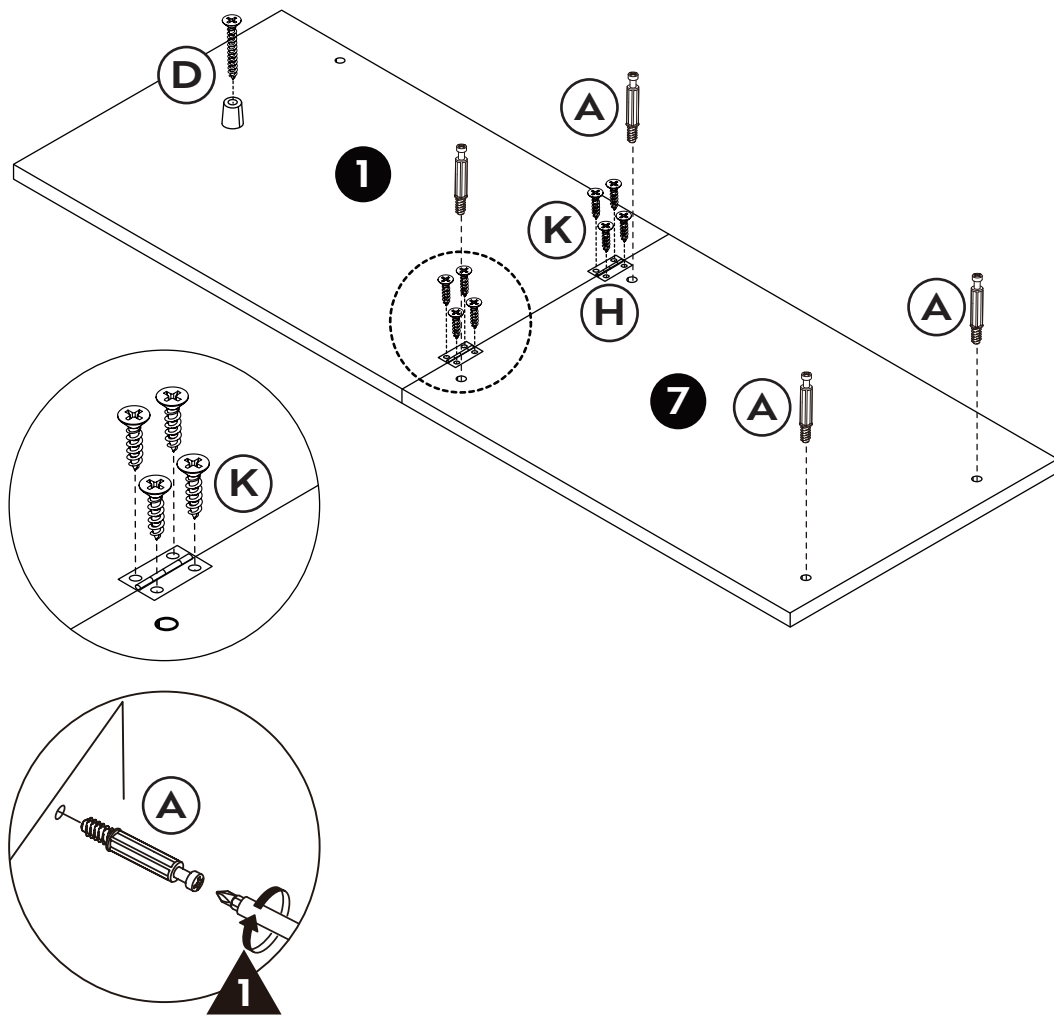


STEP 10

① x 1 pc. ⑦ x 1 pc. ④ x 1 pc. ① x 8 pcs.

② x 2 pcs. ③ x 4 pcs.

First, fix Part D (1 pc.) on Part 1 (1 pc.). Then, fix Part A (4 pcs.) on Part 7 (1 pc.). Next, use Part K (8 pcs.) to fix Part H (2 pcs.) on the boards. Connect Part 1 (1 pc.) and Part 7 (1 pc.), as shown in the figure.



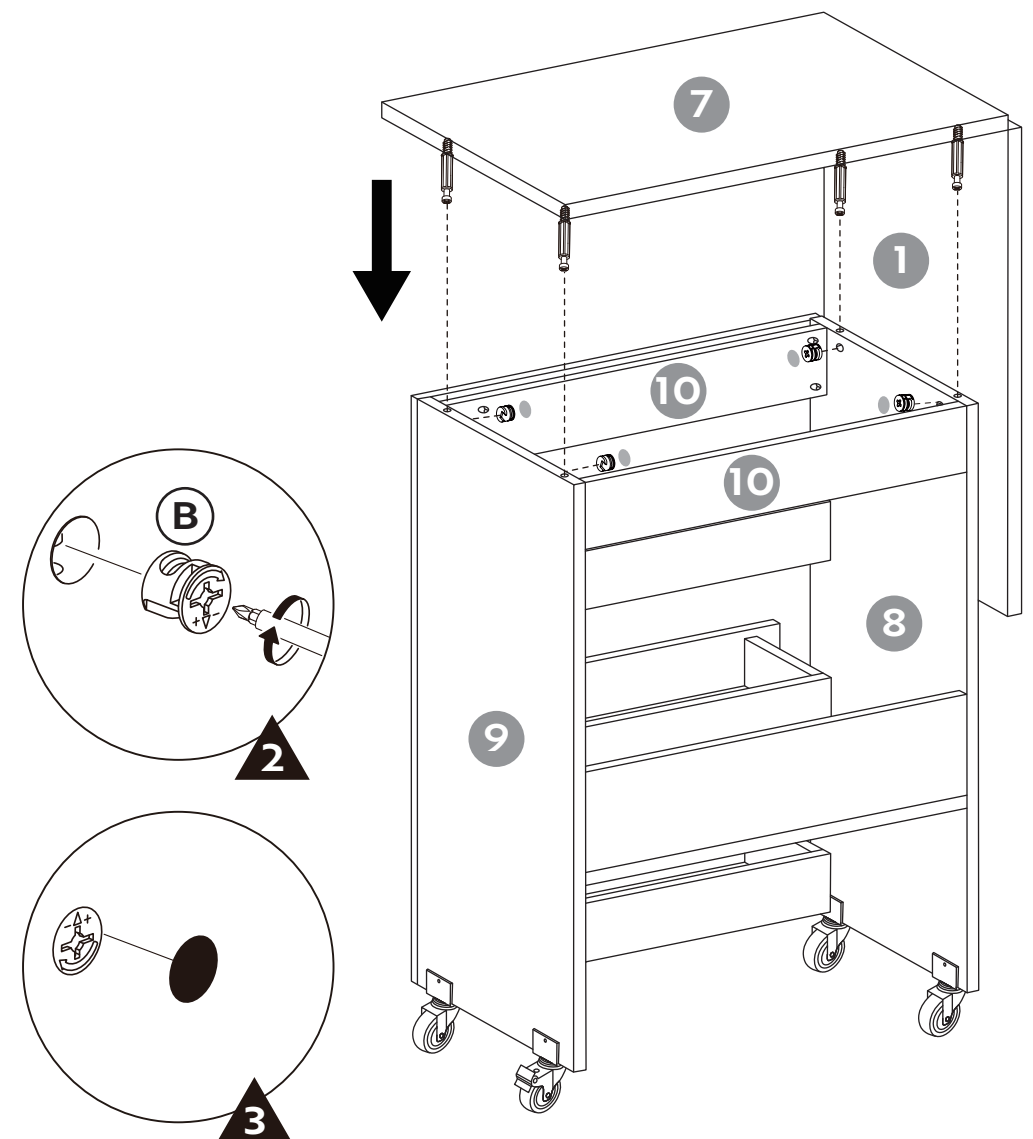
Assembly Steps



STEP 11

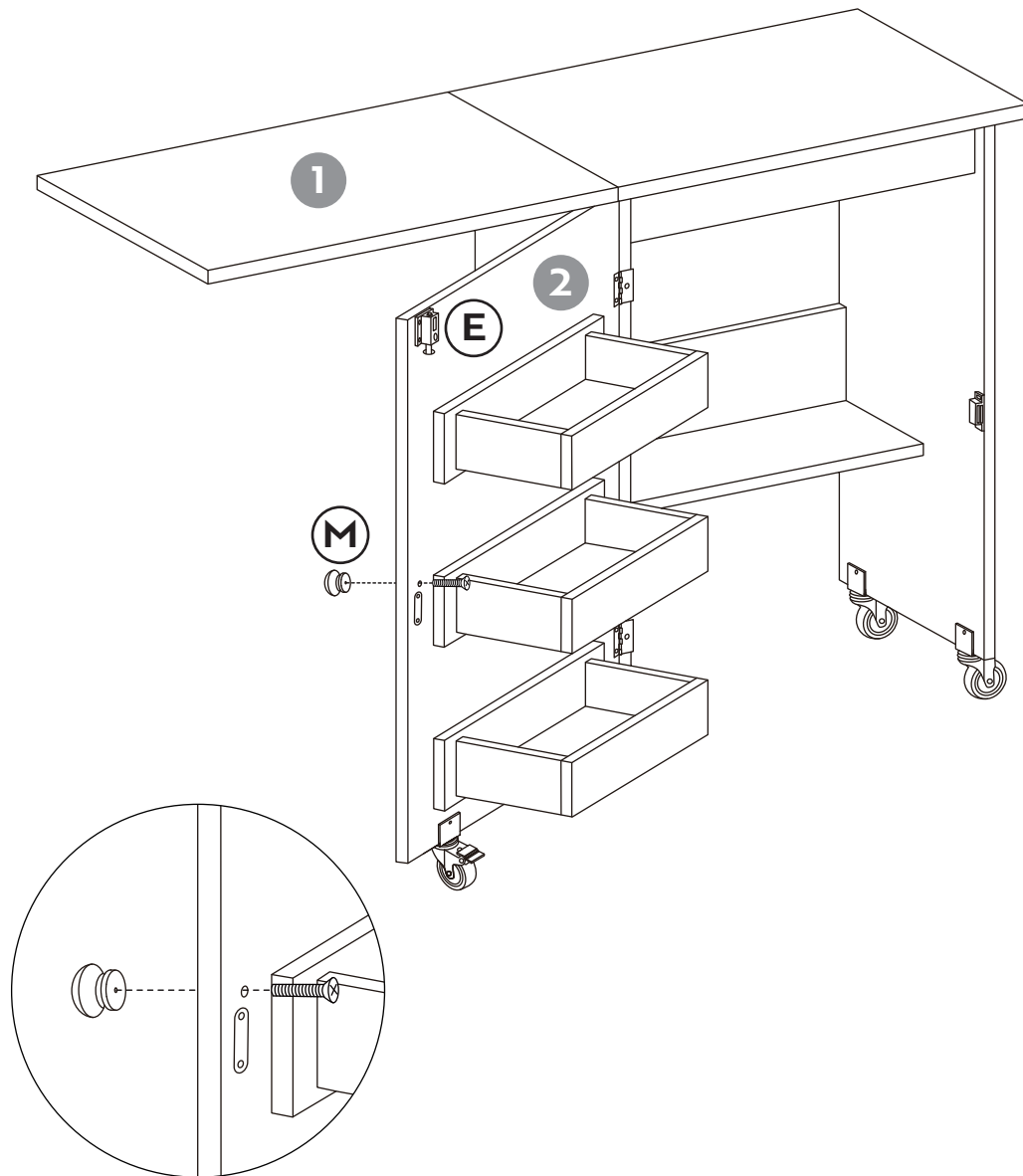
② x 4 pcs. Adhesive Screw Covers x 4 pcs.

Connect the parts assembled in Step 10 with Part 8 (1 pc.), Part 9 (1 pc.), and Part 10 (2 pcs.). Fix them with Part B (4 pcs.) and paste adhesive screw covers (4 pcs.) over the holes.




STEP 12 (M) x 1 pc.

Attach the handle Part M (1 pc.) to Part 2 (1 pc.).

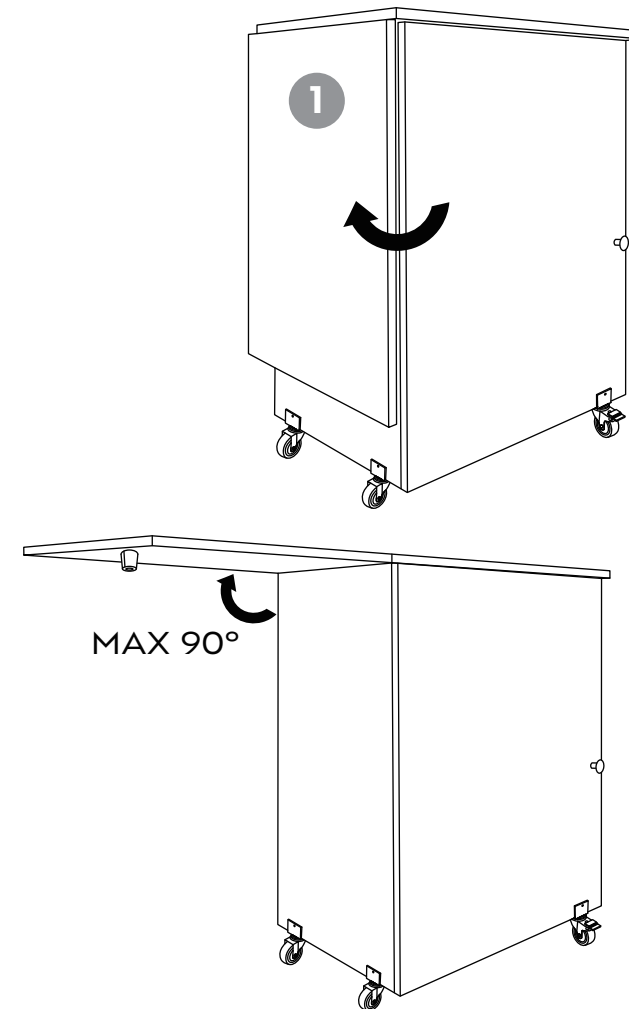

STEP 13

Directions to unfold the sewing cabinet:

First, open the tabletop Part 1 to the horizontal position (Note that the maximum folding angle is 90 degrees.). Then, open the cabinet door Part 2 to its maximum angle.

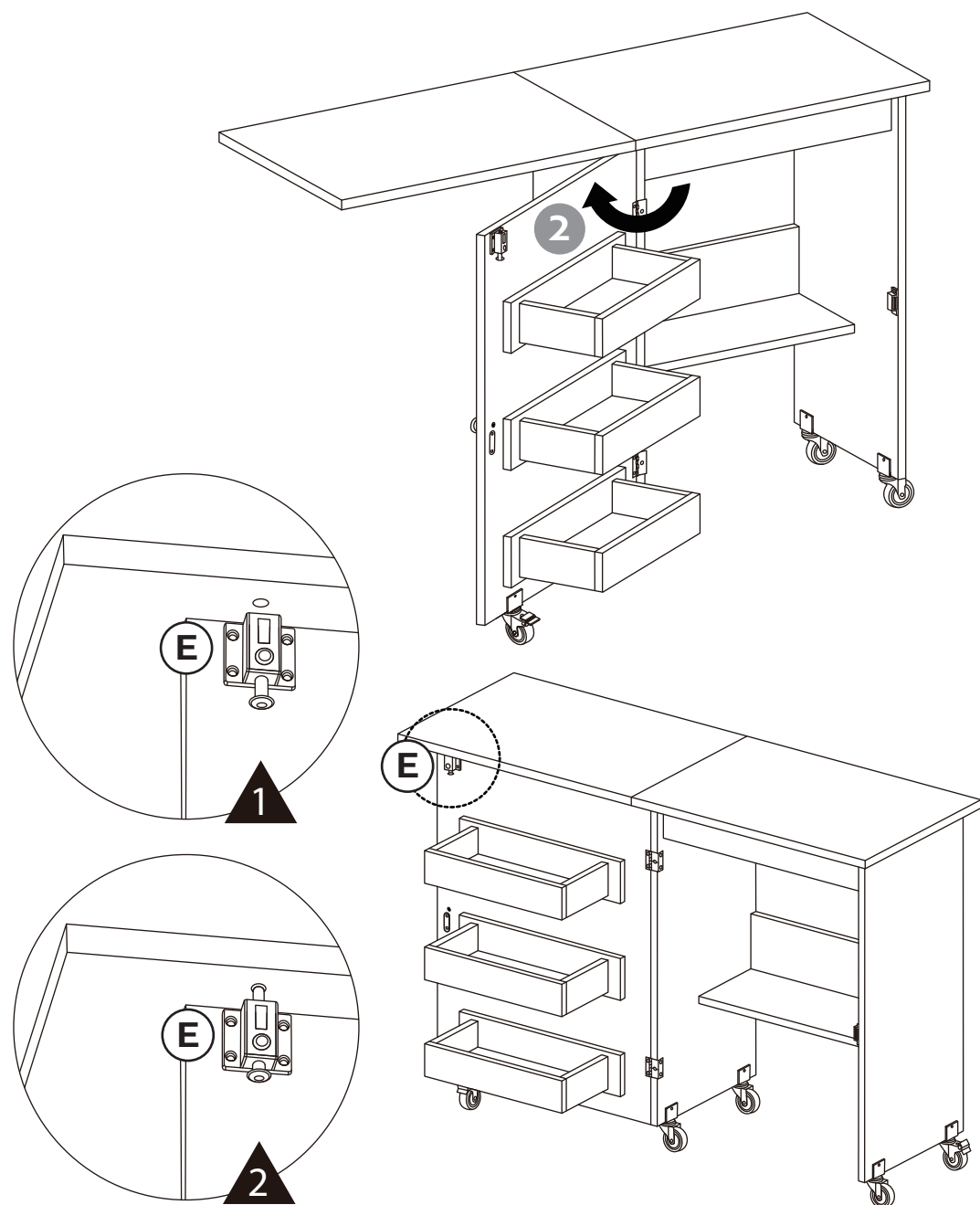
Finally, press the button on Part E to make the positioning pin pop out and insert it in the positioning hole.

(Press the positioning pin to retract the positioning pin.)





STEP 14



The VIVOHOME warranty program is our commitment to you. We are committed to providing you with a high-quality product that meets your needs and expectations. To demonstrate our confidence in the durability and performance of our products, we offer the following warranty.

WARRANTY COVERAGE

This warranty program applies to any orders, purchases, receipts, or use of any products sold by VIVOHOME and is valid for a period of 1 year from the date of purchase. However, please note that this warranty period is only valid for the original order. If you receive a replacement order during the warranty period, it will not include a separate warranty period.

WARRANTY EXCLUSIONS

This warranty does not cover damage resulting from misuse, accident, unauthorized modification, or any other circumstances not directly related to the manufacturing and design of the product, including but not limited to:

- Parts lost during use.
- Normal wear and tear of products or parts.
- Incorrect installation (such as using the wrong voltage) or assembly.
- Exceeding the bearing capacity of the product.
- Use under extremely harsh conditions.

- Improper cleaning or maintenance.
- Damage caused by any reason other than the intended use of the product.
- Indirect loss or damage caused by the product.

HOW TO MAKE A WARRANTY CLAIM

If you find any defects that affect the use of the product or if the product stops working and cannot be repaired during the warranty period, please contact our customer service team at our email or via Amazon & app's direct messaging service as soon as possible. Provide the following information to expedite the process:

- Order number
- Images and/or videos illustrating the issue
- A detailed description of the problem

VIVOHOME will provide technical support, replacement, refund, or other solutions based on the nature of the issue. If you wish to return the original package for any reason, please contact us for confirmation before proceeding. You can expect to receive a response within 48 hours.

Thank you for choosing VIVOHOME. We are committed to ensuring the quality and satisfaction of your purchase. If you have any questions or need assistance, please do not hesitate to contact our customer service team.