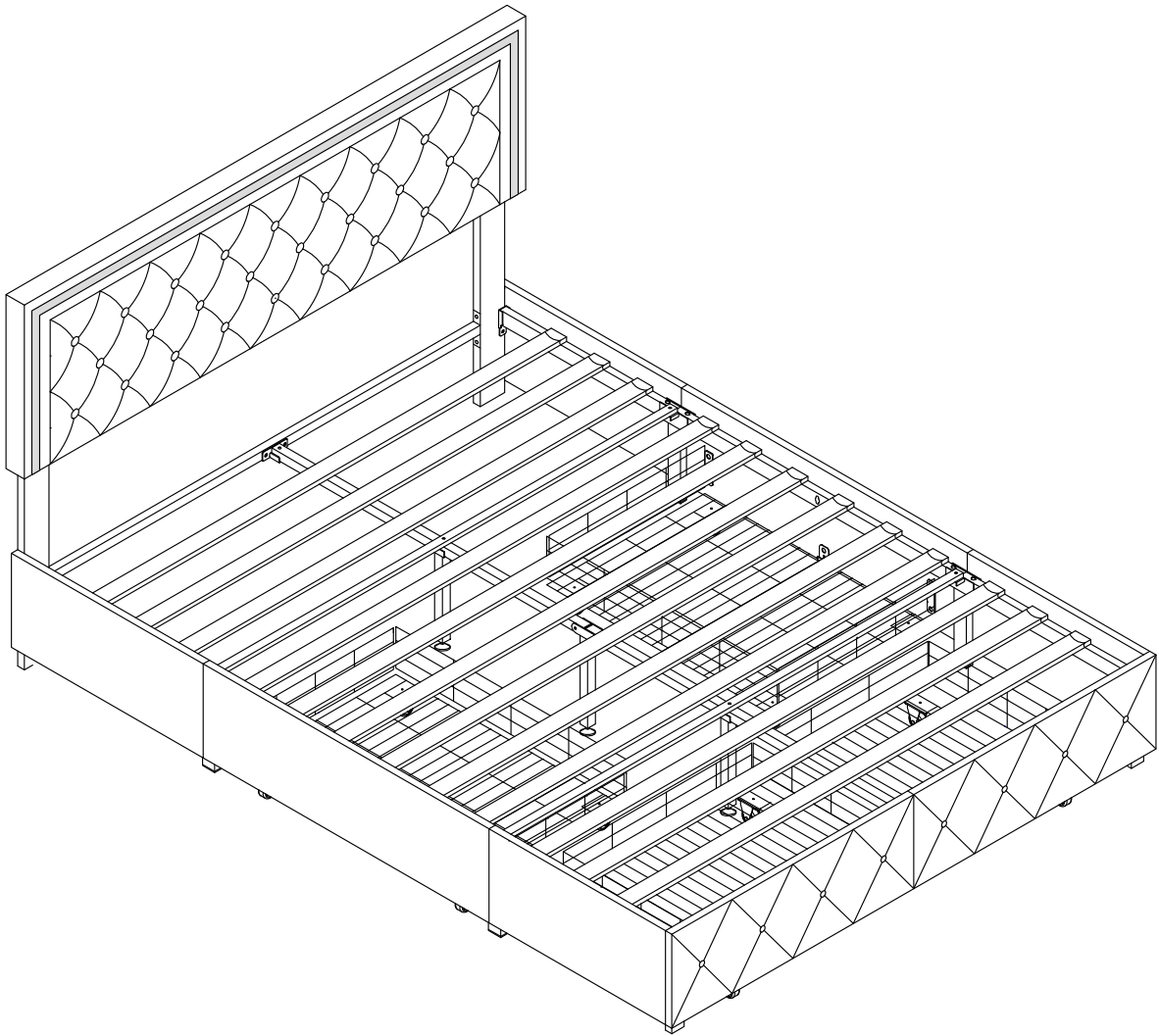


# User's Manual

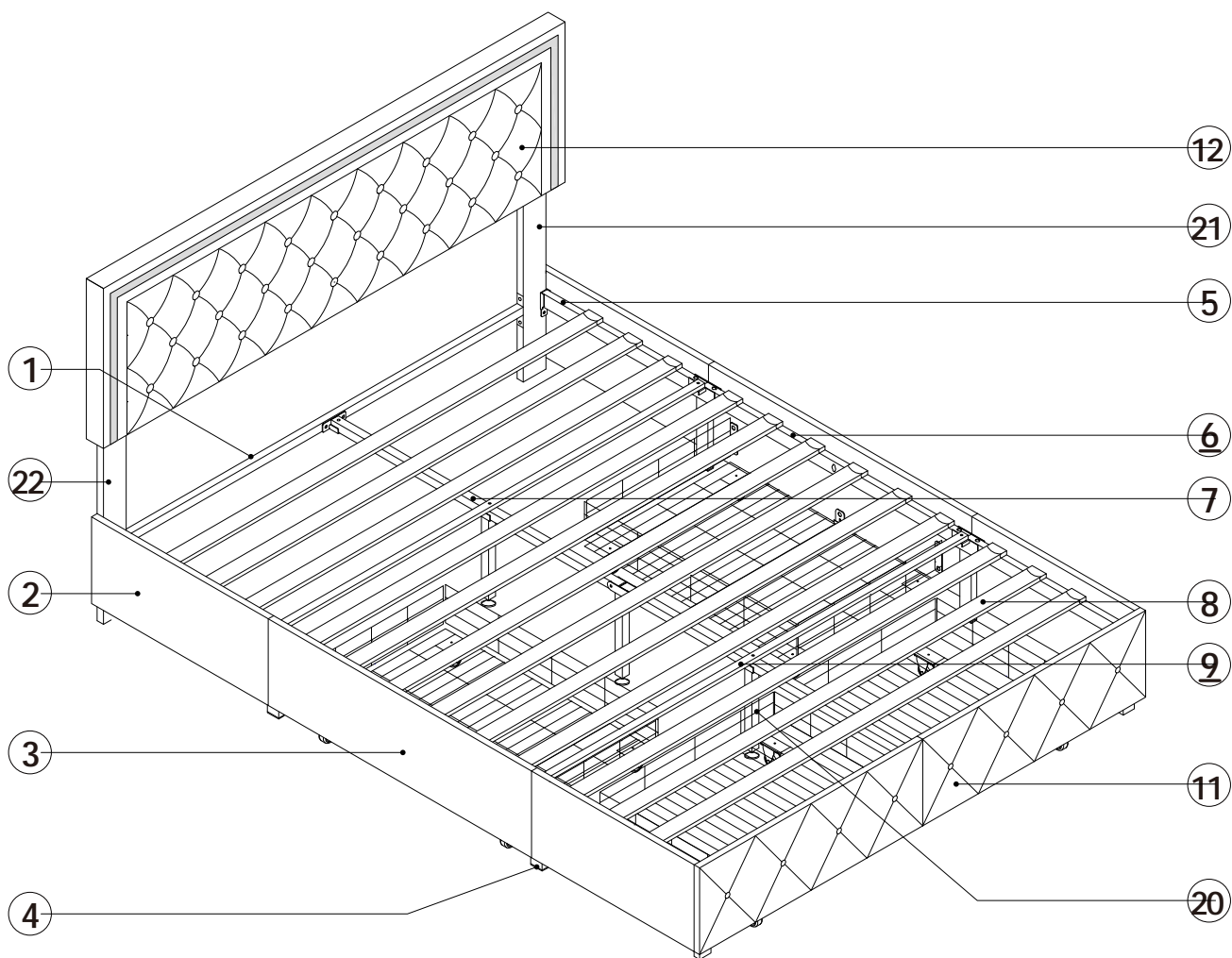
---

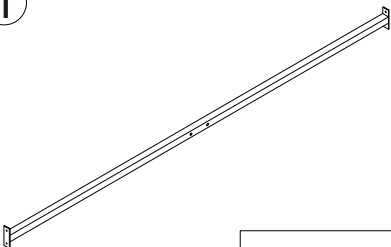
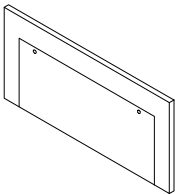
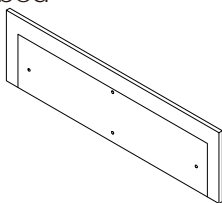
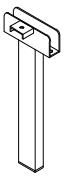
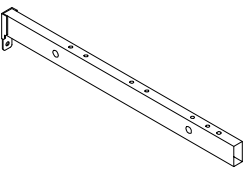
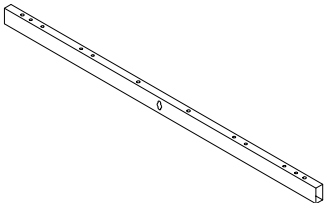
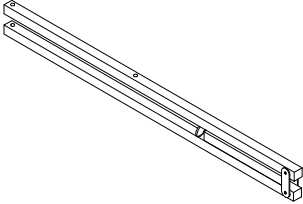
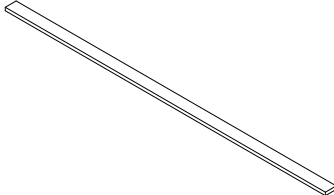
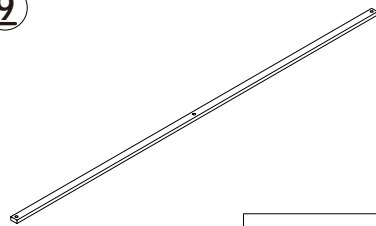
## Bed Frame with Headboard



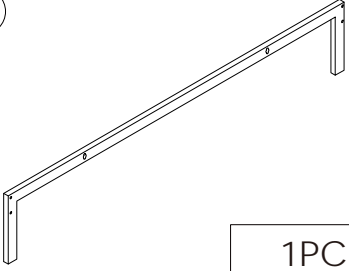
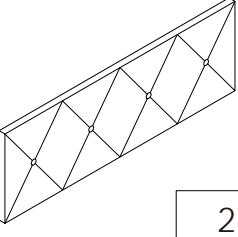
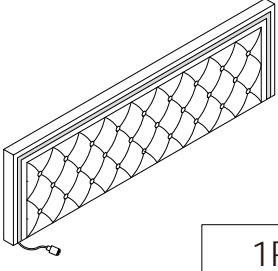
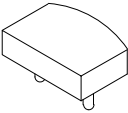
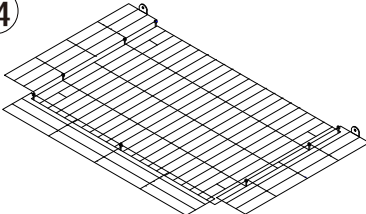
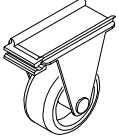
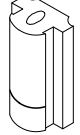

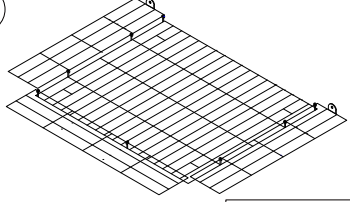
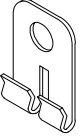



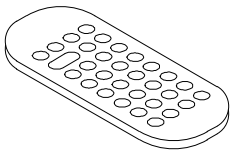
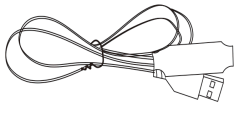
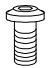
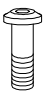
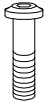
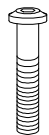
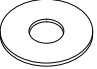
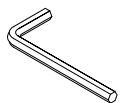
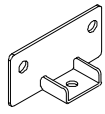
Queen Size

# Assembly Instruction of (Bed)



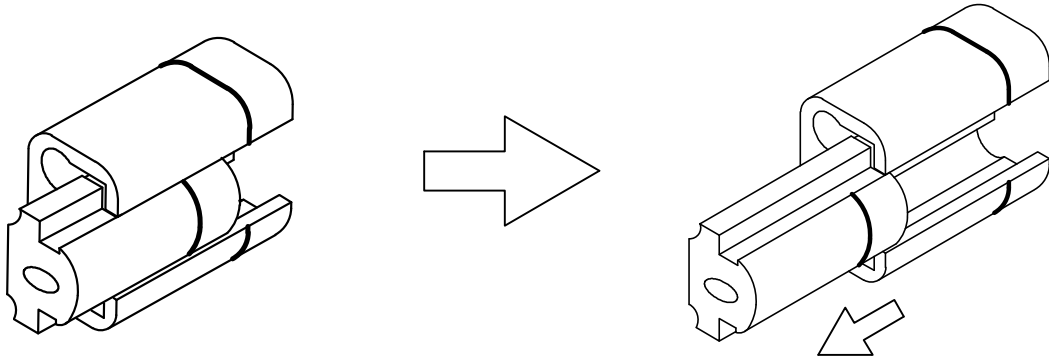
<p>①</p>  <p>1PC</p>	<p>②</p>  <p>4PCS</p>	<p>③</p> <p>Drawer panel at the side of the bed</p>  <p>2PCS</p>
<p>④</p>  <p>4PCS</p>	<p>⑤</p>  <p>4PCS</p>	<p>⑥</p>  <p>2PCS</p>
<p>⑦</p>  <p>1PC</p>	<p>⑧</p>  <p>12PCS</p>	<p>⑨</p>  <p>2PCS</p>

# Assembly Instruction of (Bed)

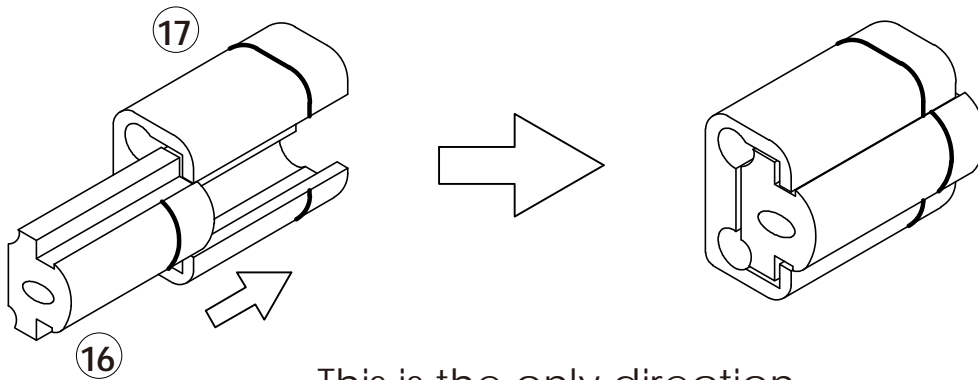
<p>⑩</p>  <p>1PC</p>	<p>⑪ Panel Footboard</p>  <p>2PCS</p>	<p>⑫</p>  <p>1PC</p>	
<p>⑬</p>  <p>24PCS</p>	<p>⑭</p>  <p>drawer 2PCS</p>	<p>⑮</p>  <p>16PCS</p>	
<p>⑯</p>  <p>9PCS</p>	<p>⑰</p>  <p>9PCS</p>	<p>⑱</p>  <p>short drawer 2PCS</p>	
<p>⑲</p>  <p>5PCS</p>	<p>⑳</p>  <p>2PCS</p>	<p>㉑</p>  <p>1PC</p>	
<p>㉒</p>  <p>1PC</p>	<p>㉓</p>  <p>1PC</p>	<p>㉔</p>  <p>1PC</p>	
<p><b>A</b></p>  <p>M8×15mm 24+2PCS</p>	<p><b>B</b></p>  <p>M8×35mm 22+2PCS</p>	<p><b>C</b></p>  <p>M8×40mm 4PCS</p>	<p><b>D</b></p>  <p>M8×55mm 10+1PCS</p>
<p><b>E</b></p>  <p>∅8×22mm 12+1PCS</p>	<p><b>G</b></p>  <p>M8 1PC</p>	<p><b>I</b></p>  <p>2PCS</p>	

## Assembly Instruction of (Drawer)

### STEP 1

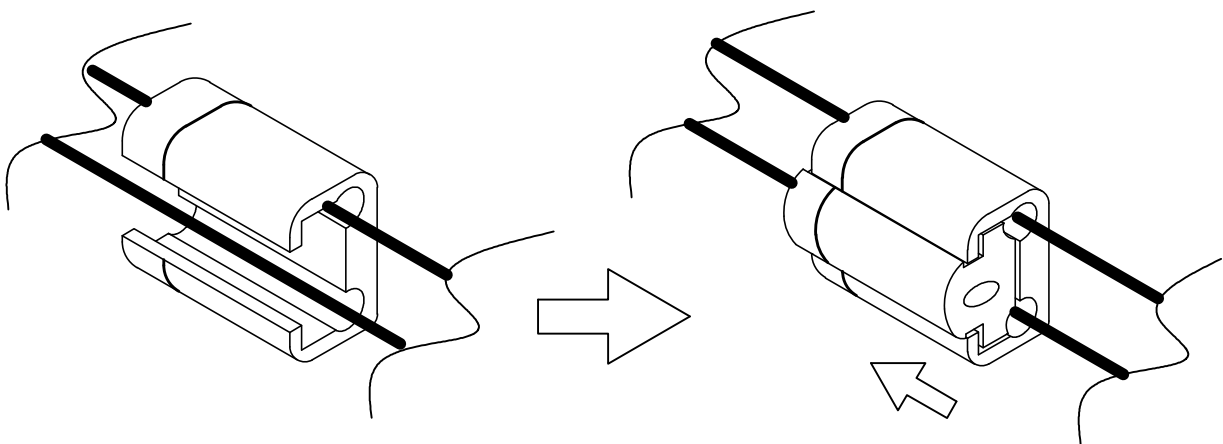


You can pull the buckle out by following the direction indicated by the arrow



This is the only direction that can be locked.

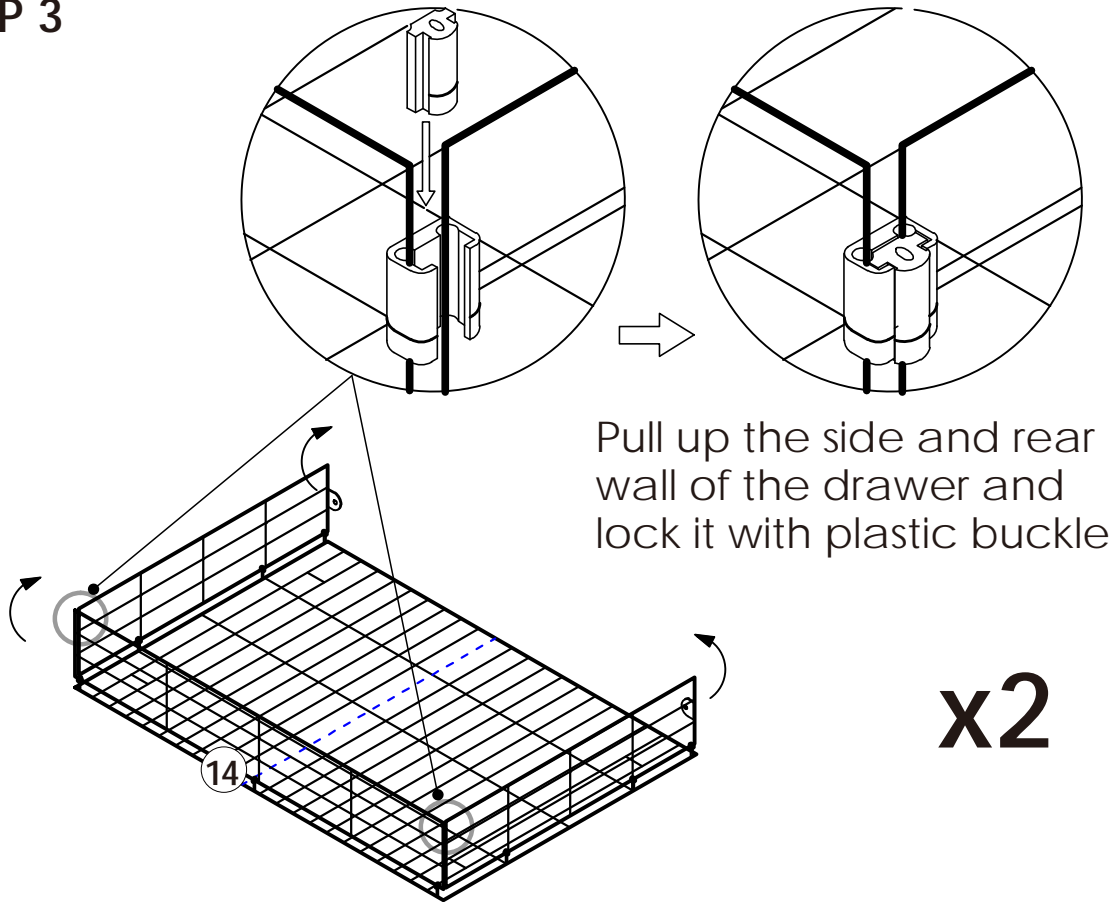
### STEP 2



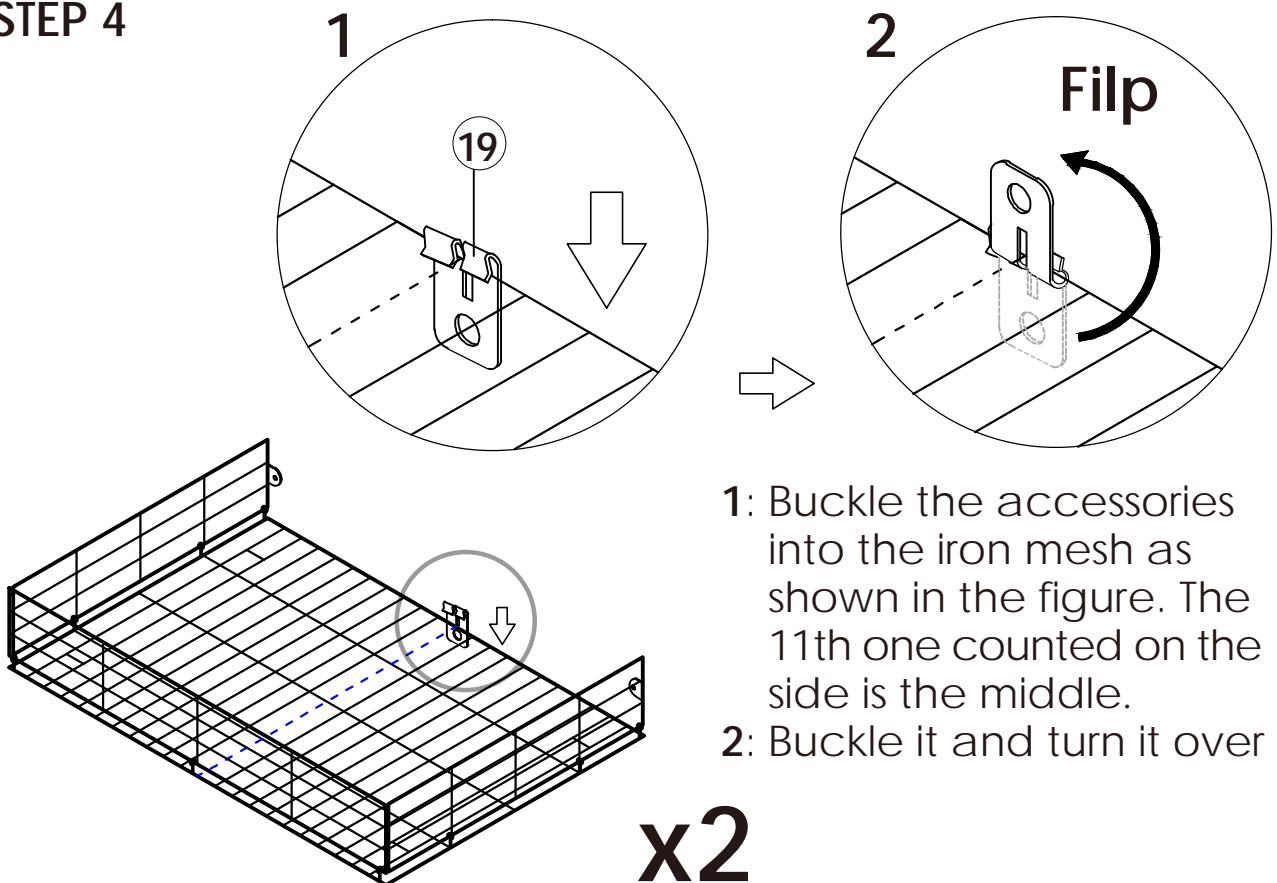
Place the round iron tubes as shown for better assembly of the drawers.

## Assembly Instruction of (Drawer)

### STEP 3

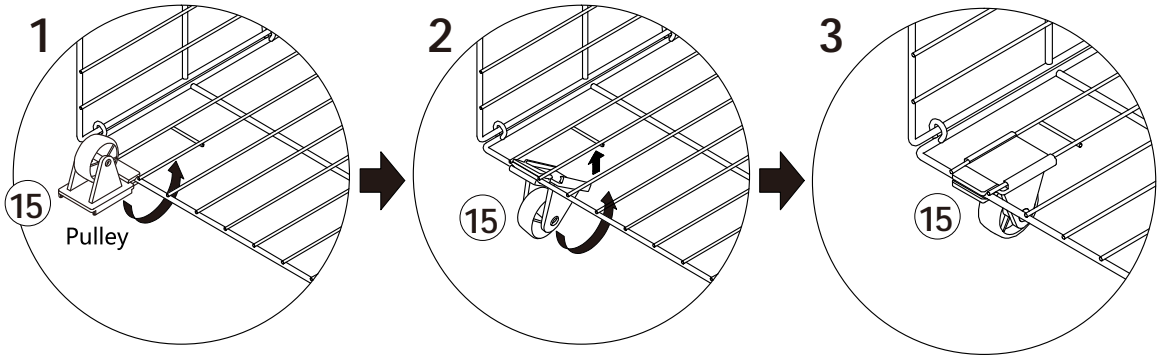


### STEP 4



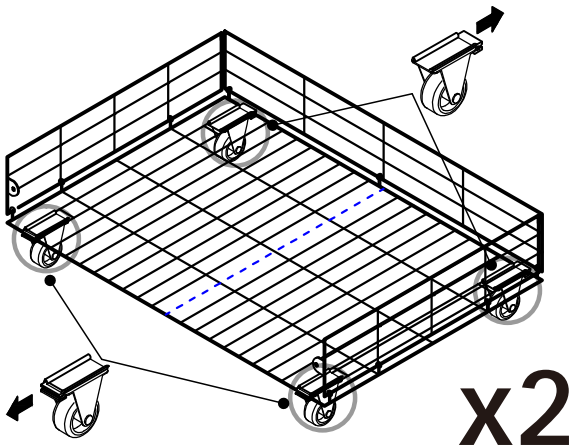
## Assembly Instruction of (Drawer)

### STEP 5



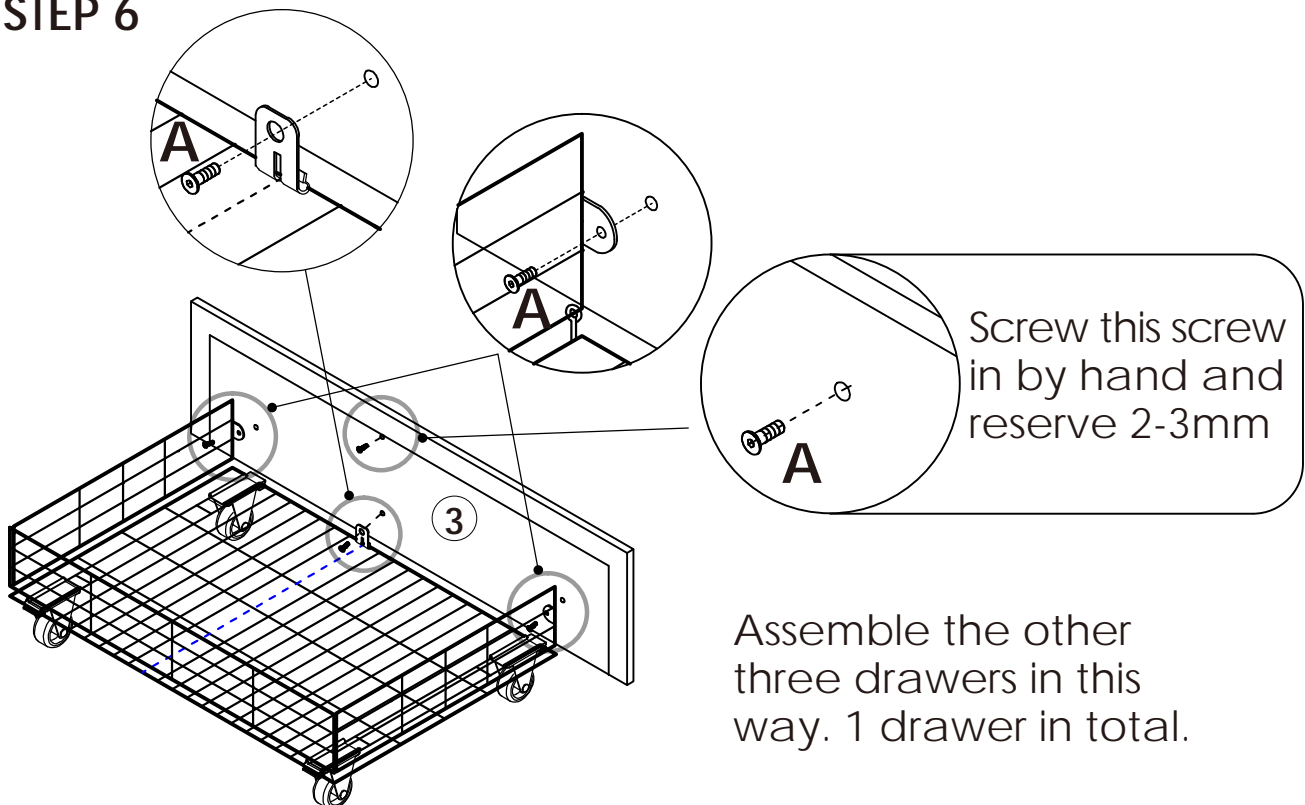
1. As shown in the figure Clip the pulley into position first

2. Then push the pulley to the side at the same time, clamp the iron wire at the edge it takes a little strength



Place the round iron tubes as shown for better assembly of the drawers.

### STEP 6



Screw this screw in by hand and reserve 2-3mm

Assemble the other three drawers in this way. 1 drawer in total.



A x 8PCS

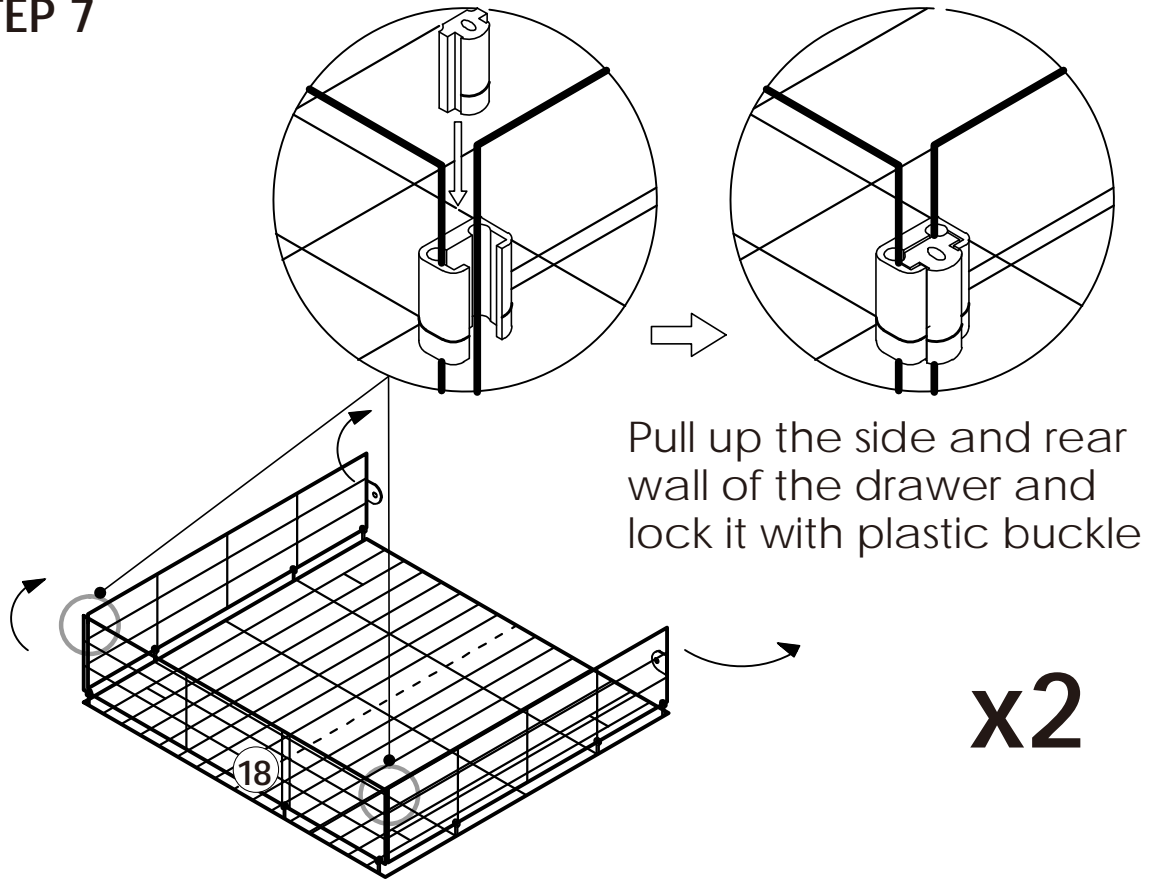


G x 1PC

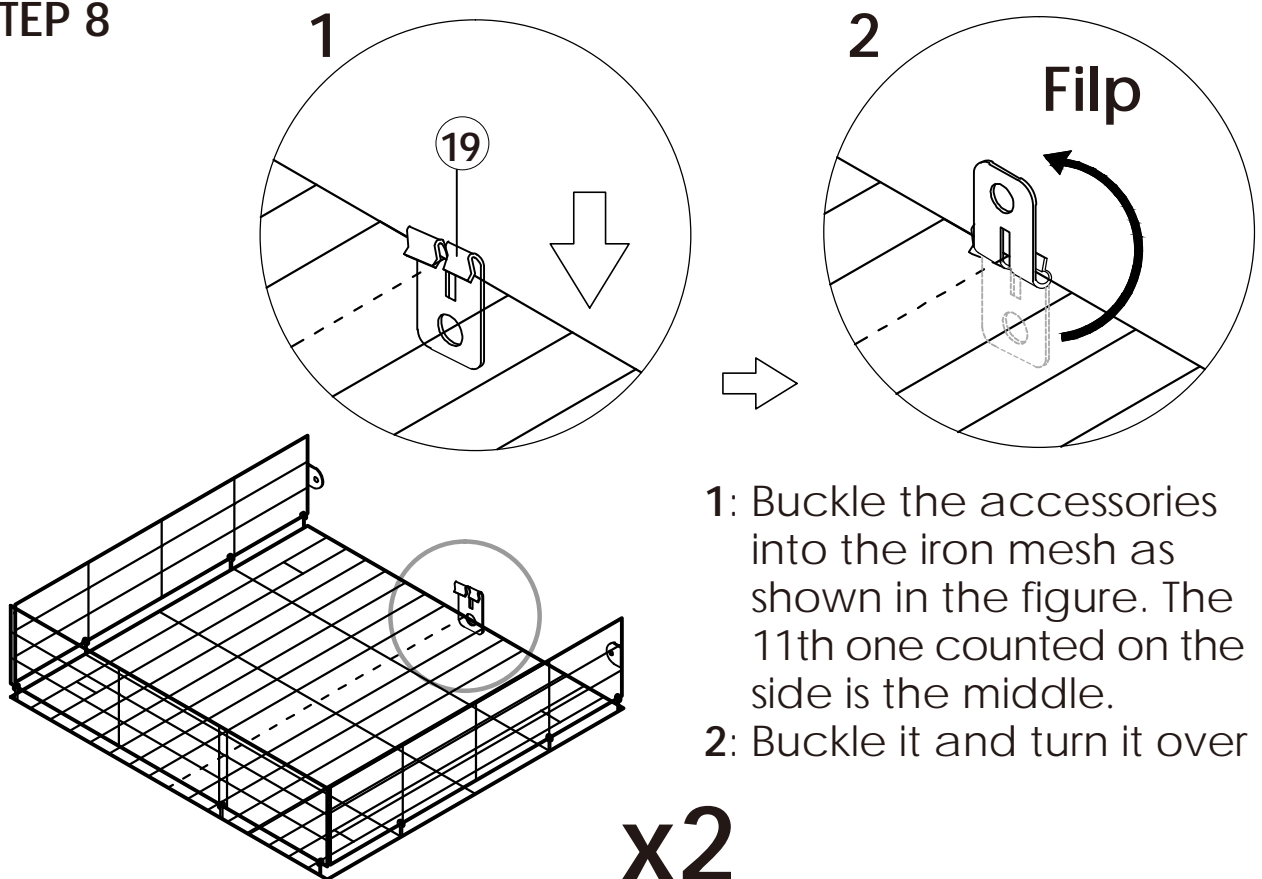
x2

## Assembly Instruction of (Drawer)

### STEP 7

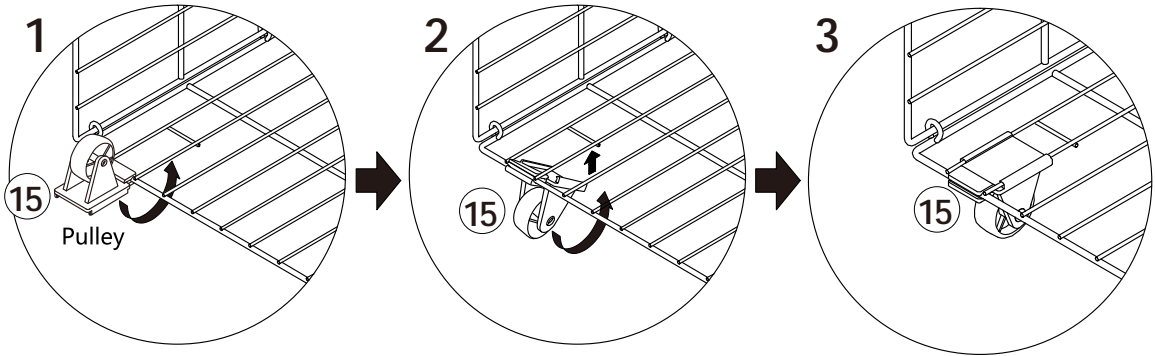


### STEP 8



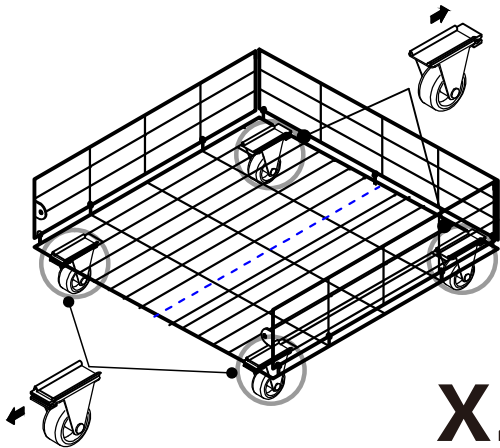
## Assembly Instruction of (Drawer)

### STEP 9



1. As shown in the figure Clip the pulley into position first

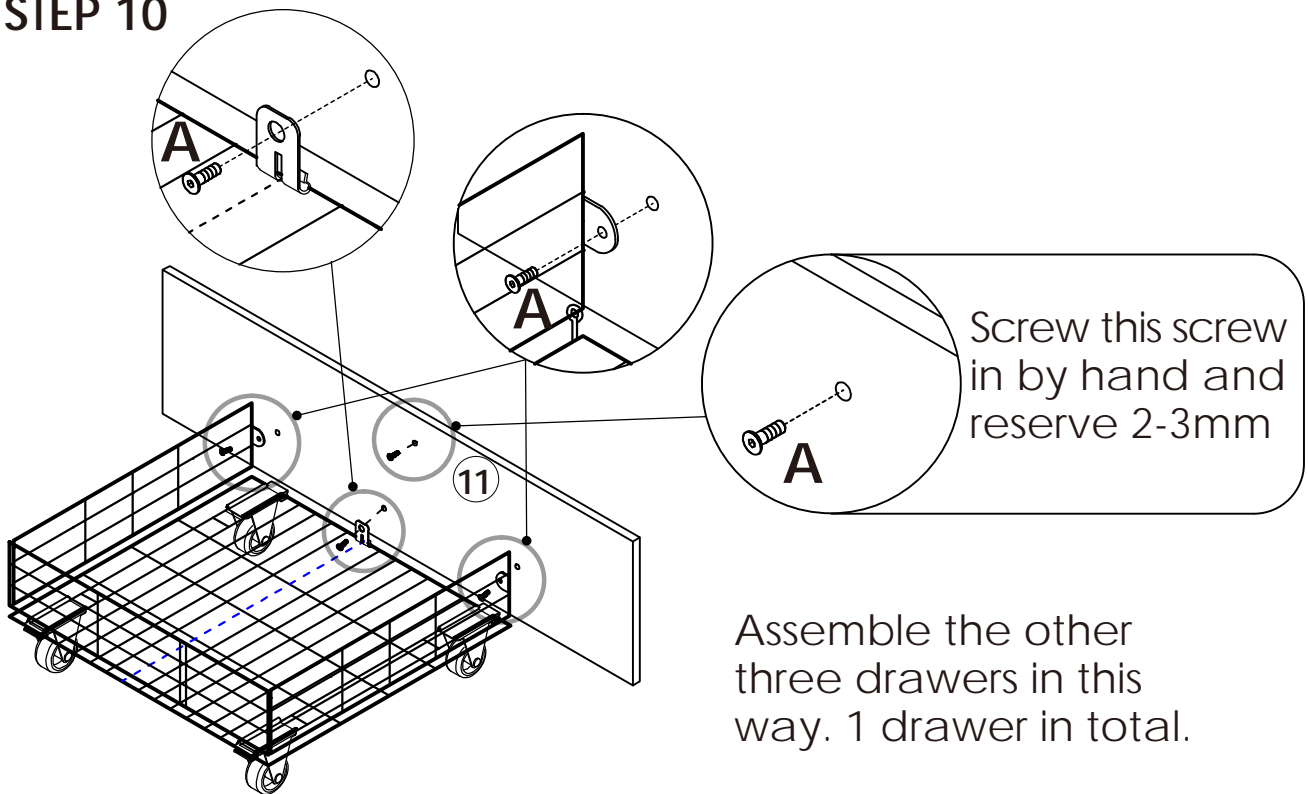
2. Then push the pulley to the side at the same time, clamp the iron wire at the edge it takes a little strength



Place the round iron tubes as shown for better assembly of the drawers.

**x2**

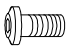

### STEP 10



Screw this screw in by hand and reserve 2-3mm

Assemble the other three drawers in this way. 1 drawer in total.

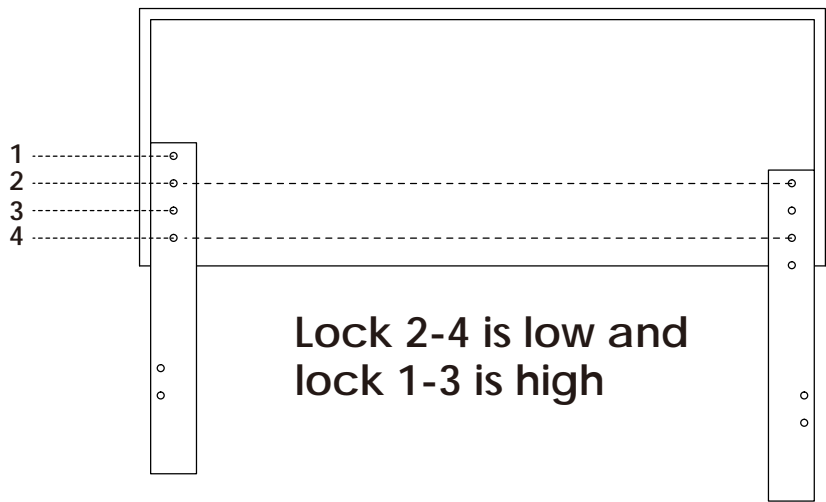
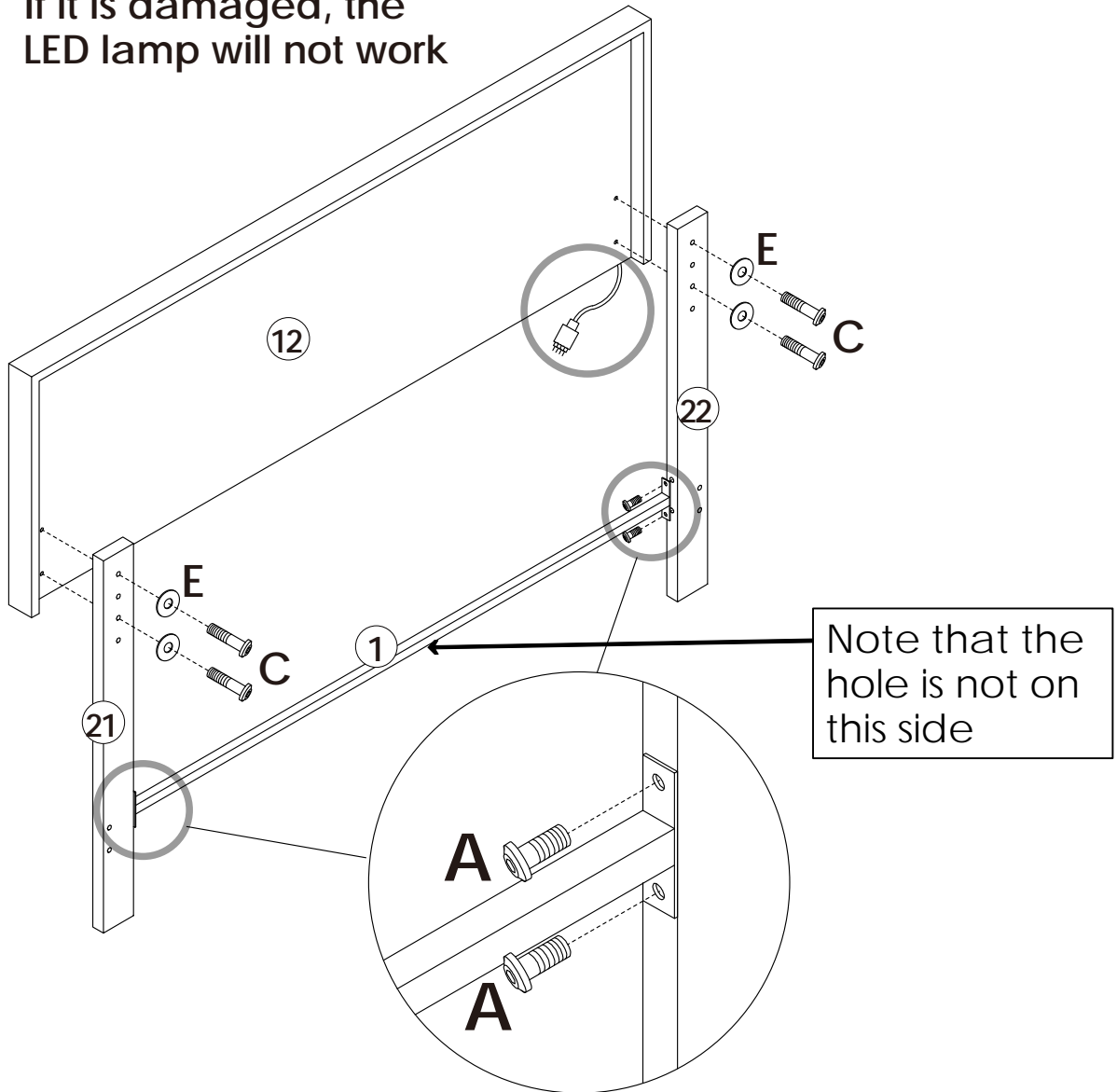
**x2**

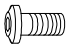
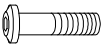


	A x 8PCS
	G x 1PC

# Assembly Instruction of (Drawer)

## STEP 11

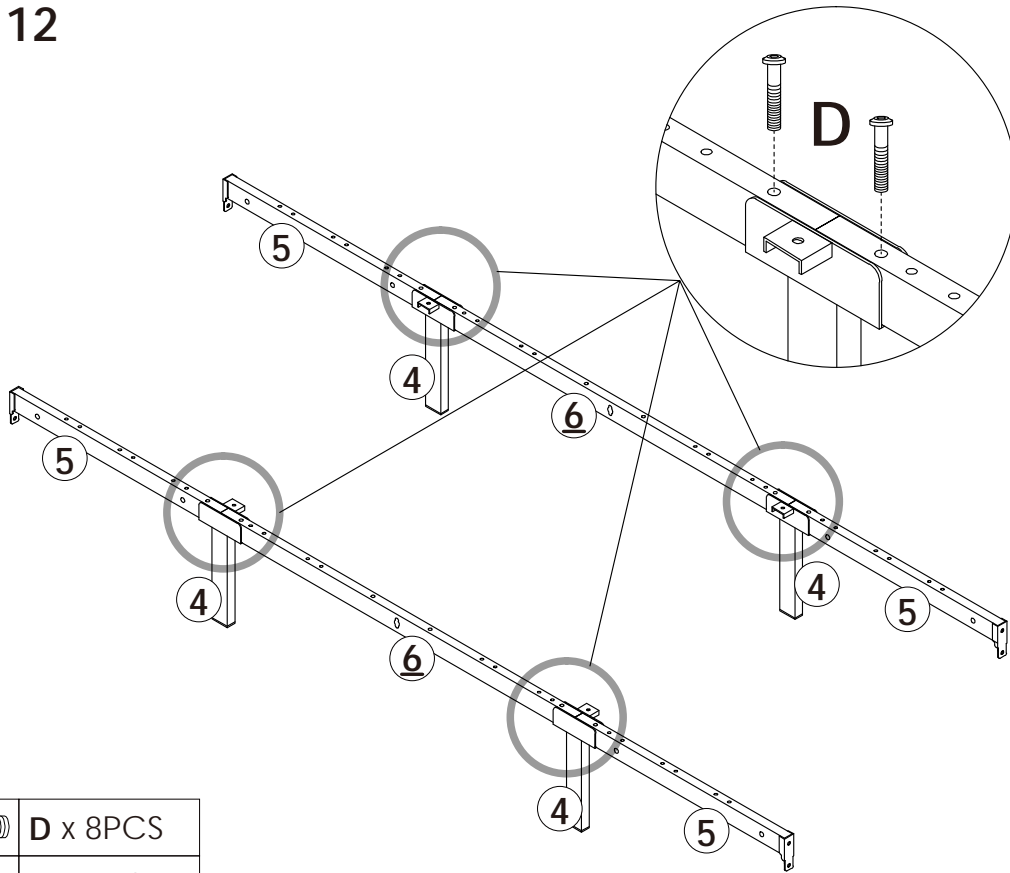
There is an interface at the bedside.  
Please be careful not to damage it.  
If it is damaged, the  
LED lamp will not work

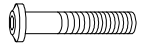



	A x 4PCS
	C x 4PCS
	E x 4PCS
	G x 1PC

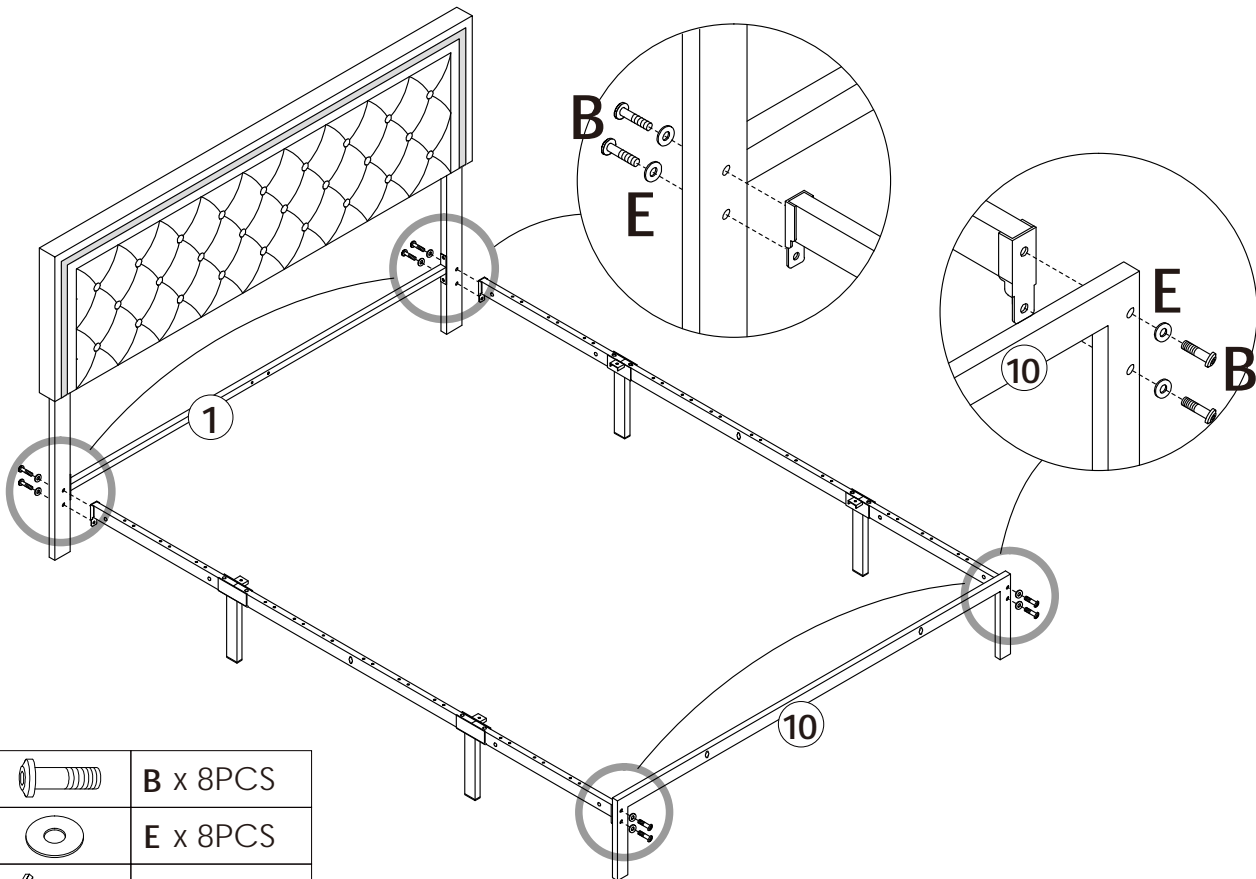
# Assembly Instruction of (Bed)

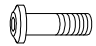


## STEP 12



	<b>D x 8PCS</b>
	<b>G x 1PC</b>

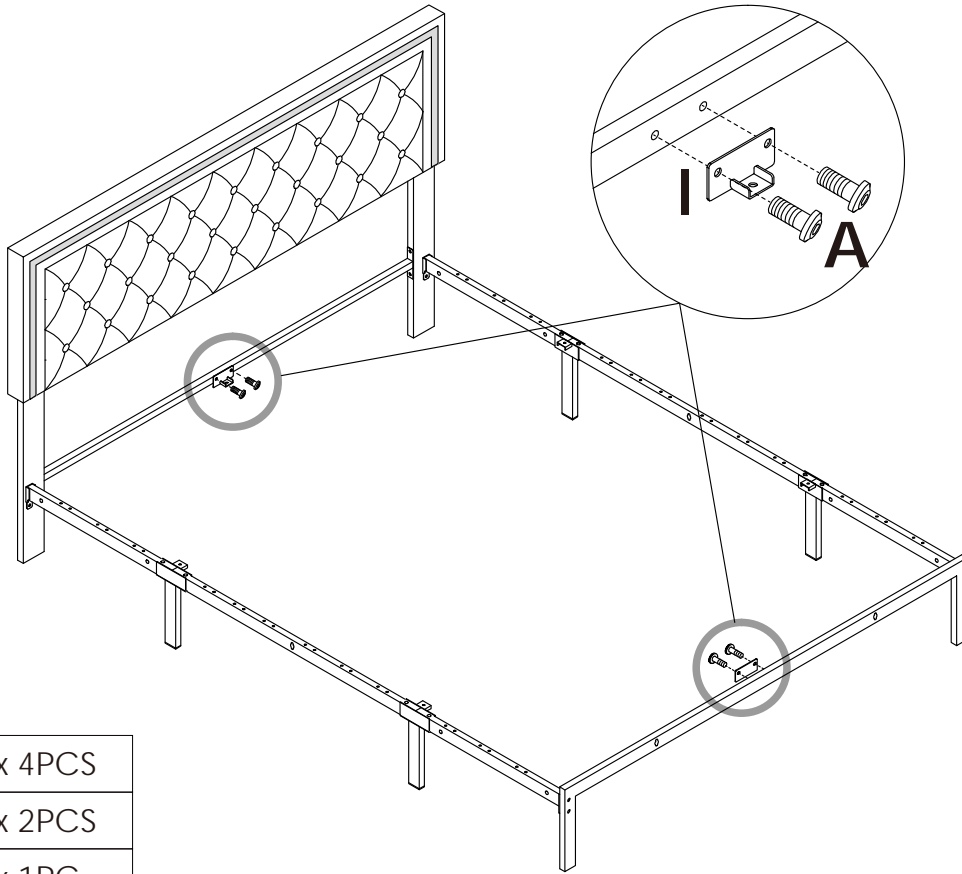
## STEP 13 This step requires 2 people to install.

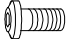




	<b>B x 8PCS</b>
	<b>E x 8PCS</b>
	<b>G x 1PC</b>

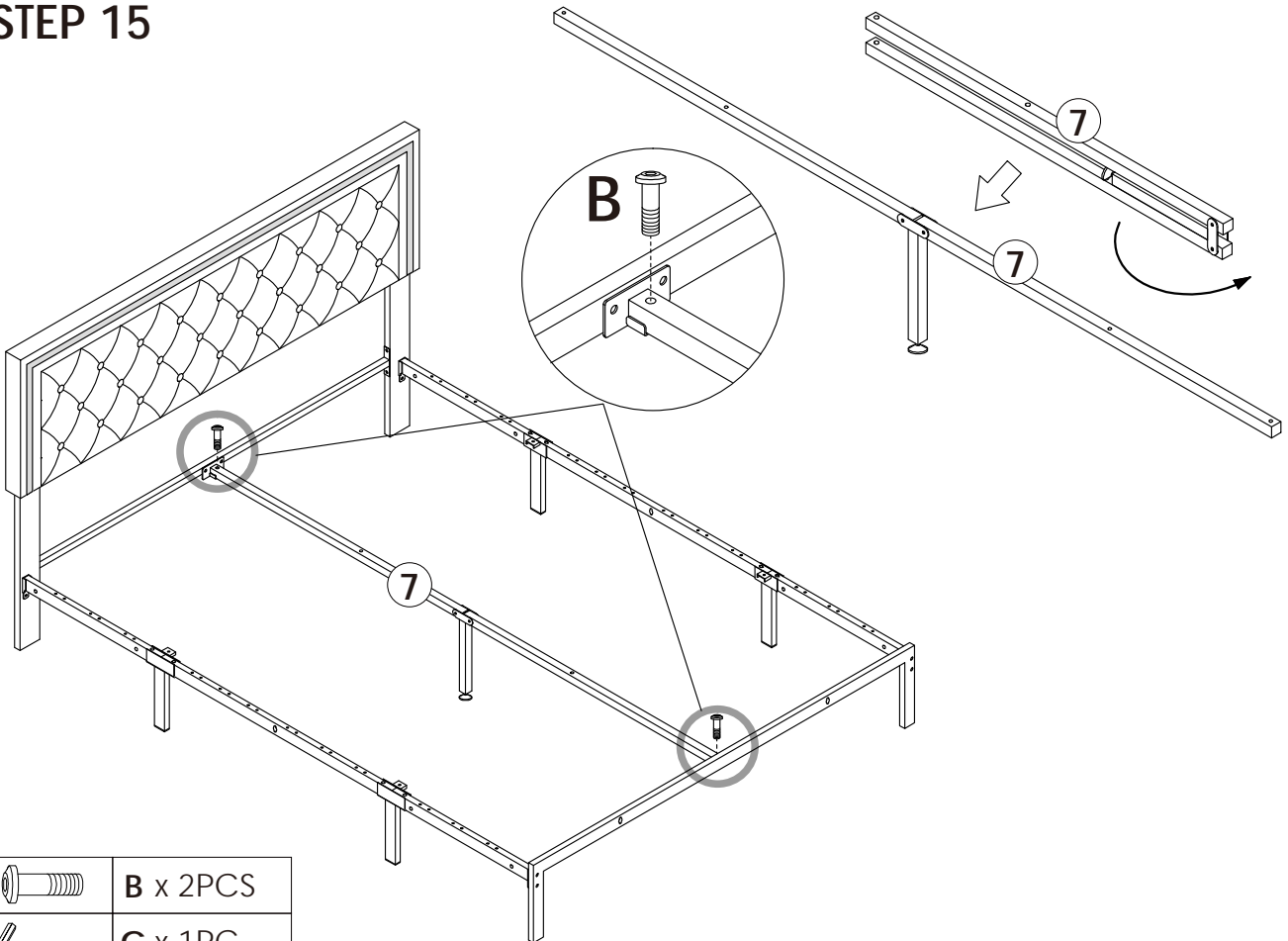
# Assembly Instruction of (Bed)

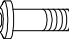

## STEP 14



	A x 4PCS
	I x 2PCS
	G x 1PC

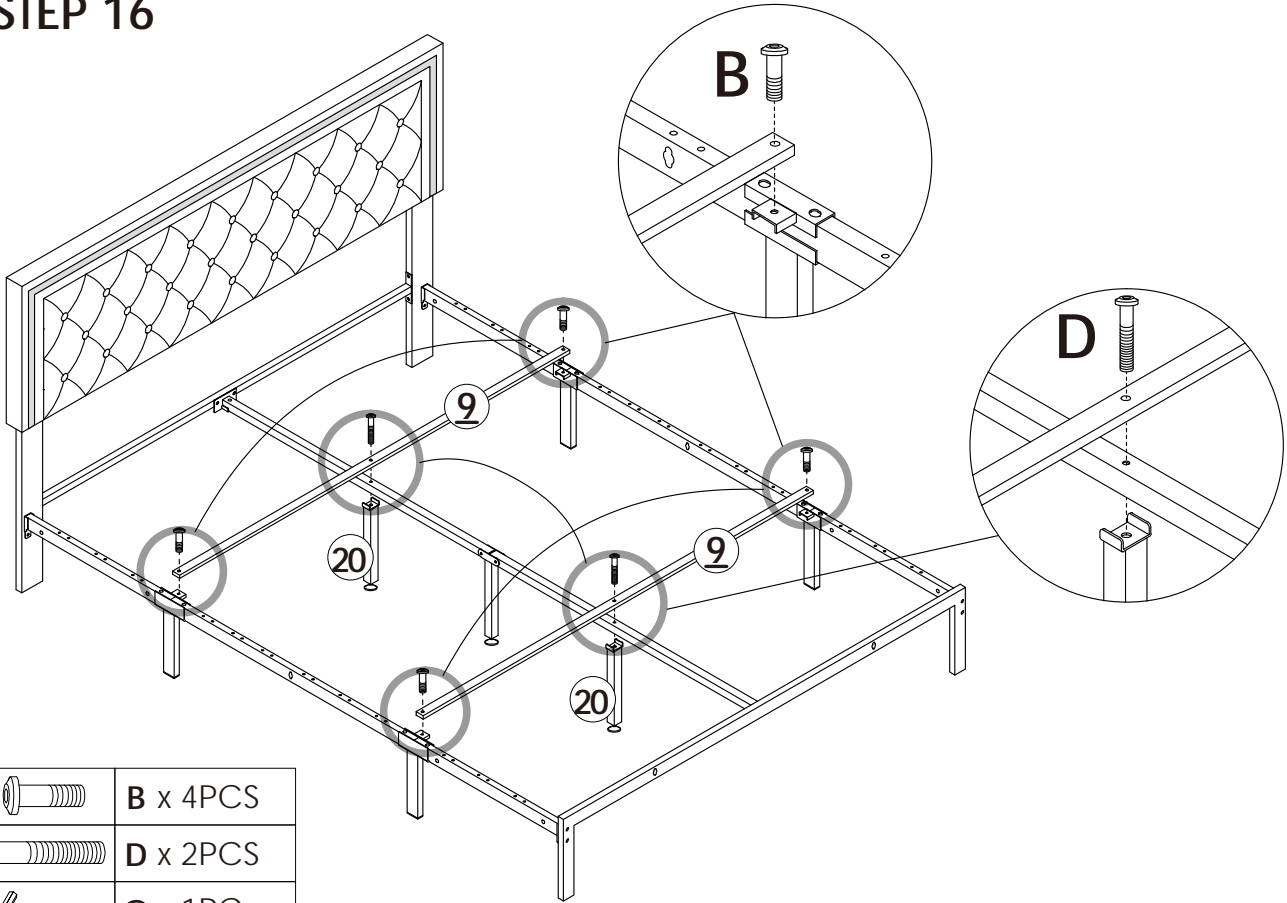
## STEP 15

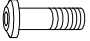
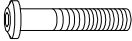



	B x 2PCS
	G x 1PC

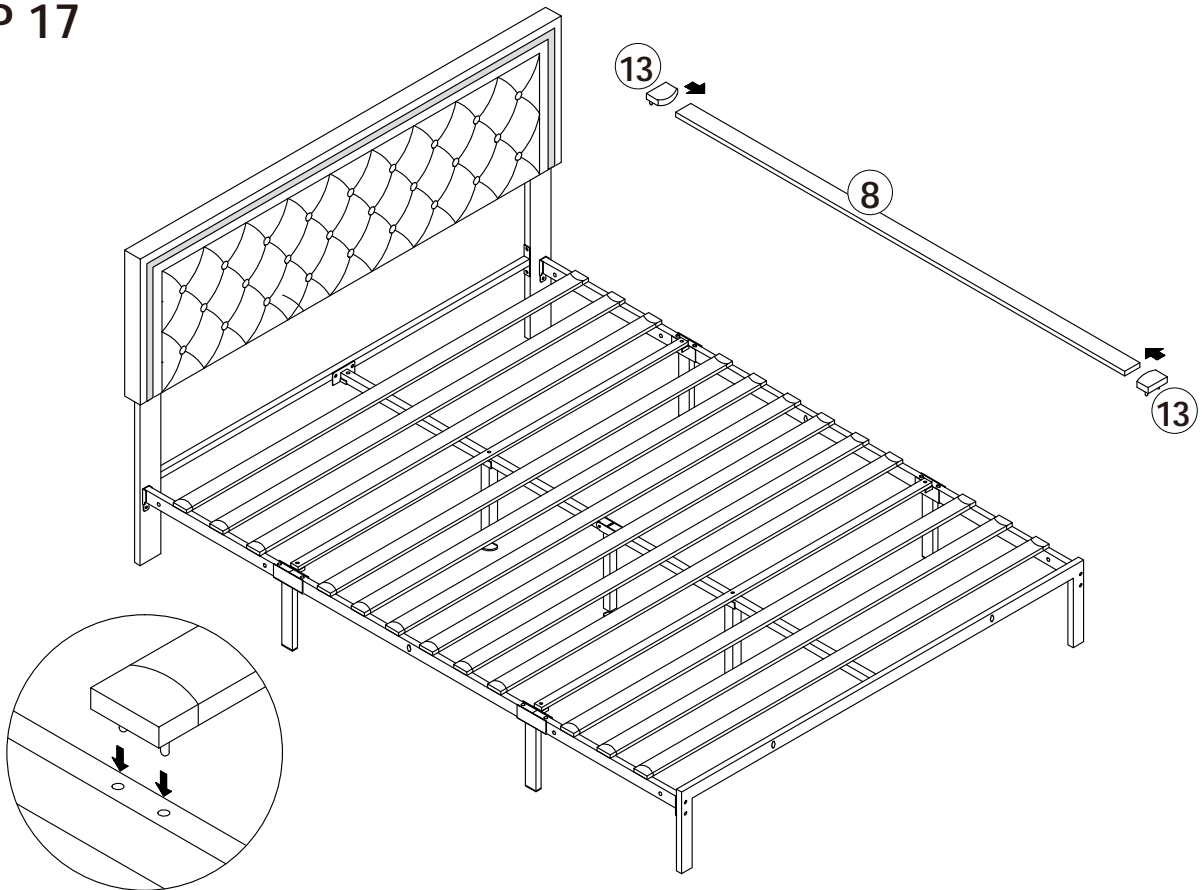
# Assembly Instruction of (Bed)

## STEP 16



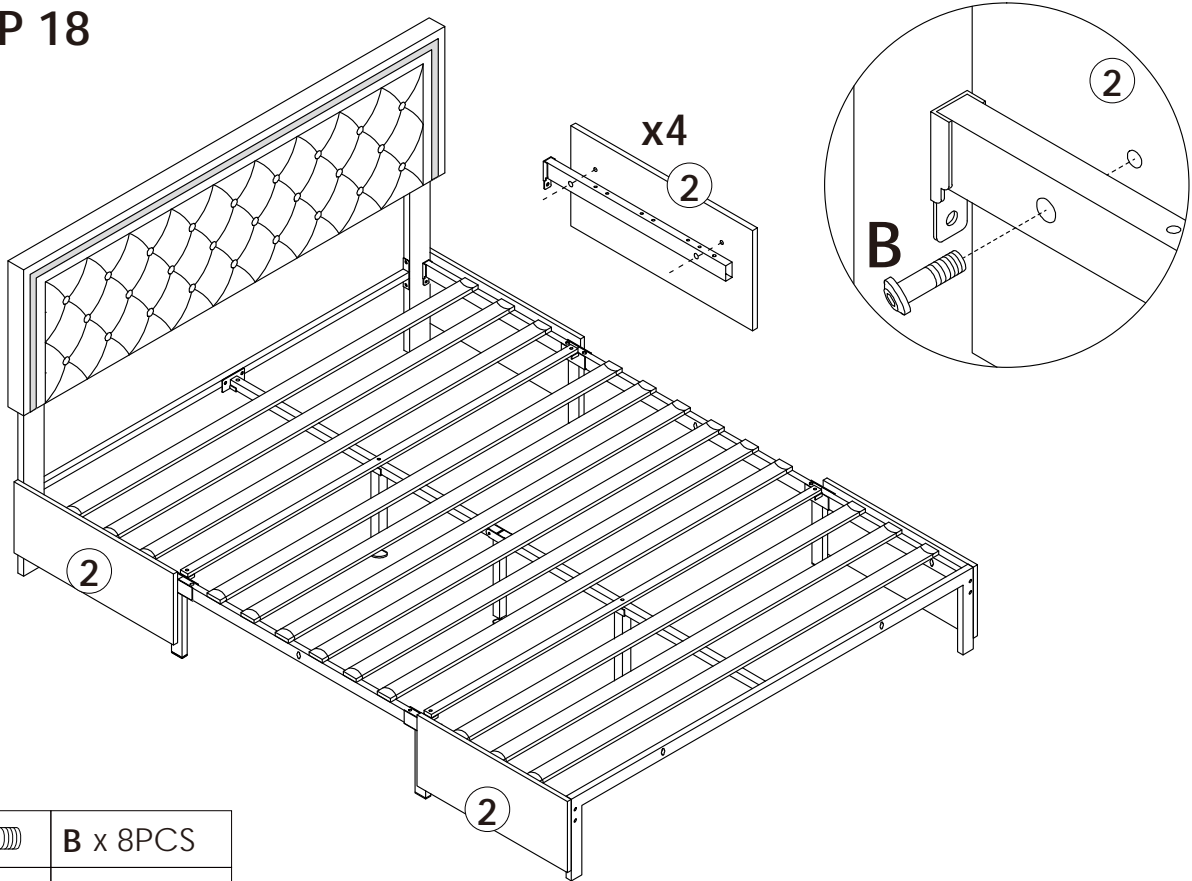
	B x 4PCS
	D x 2PCS
	G x 1PC

## STEP 17

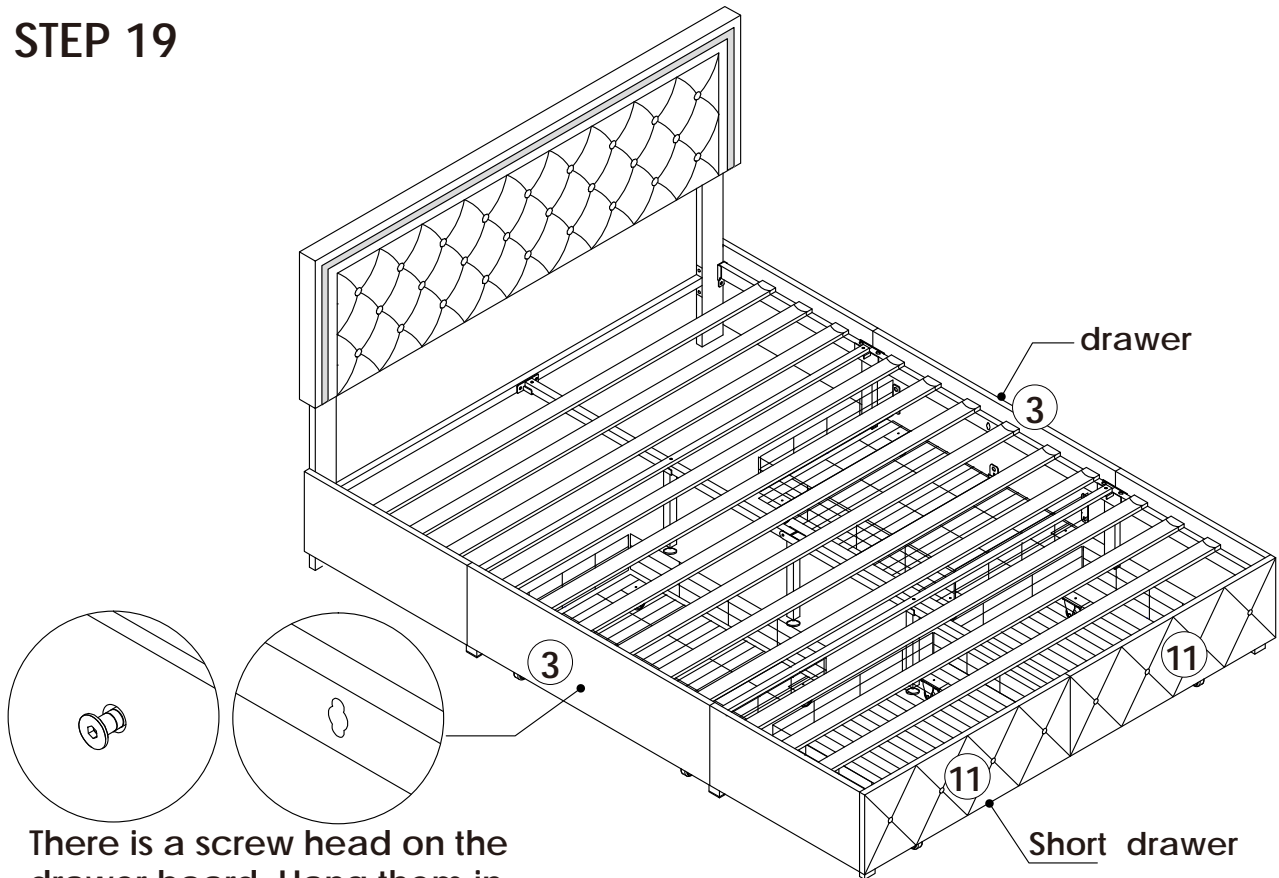


# Assembly Instruction of (Bed)

## STEP 18



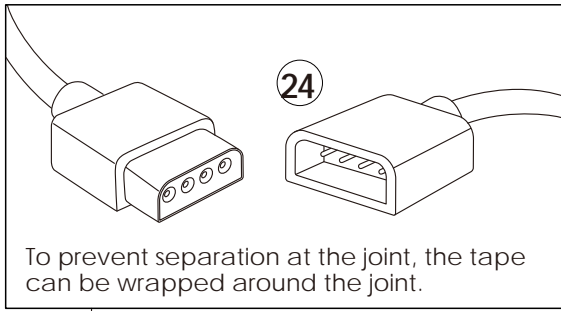
## STEP 19



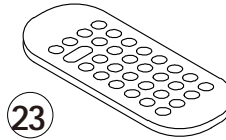
There is a screw head on the drawer board. Hang them in the hole as shown in the figure.

# Assembly Instruction of (Bed)

## STEP 20

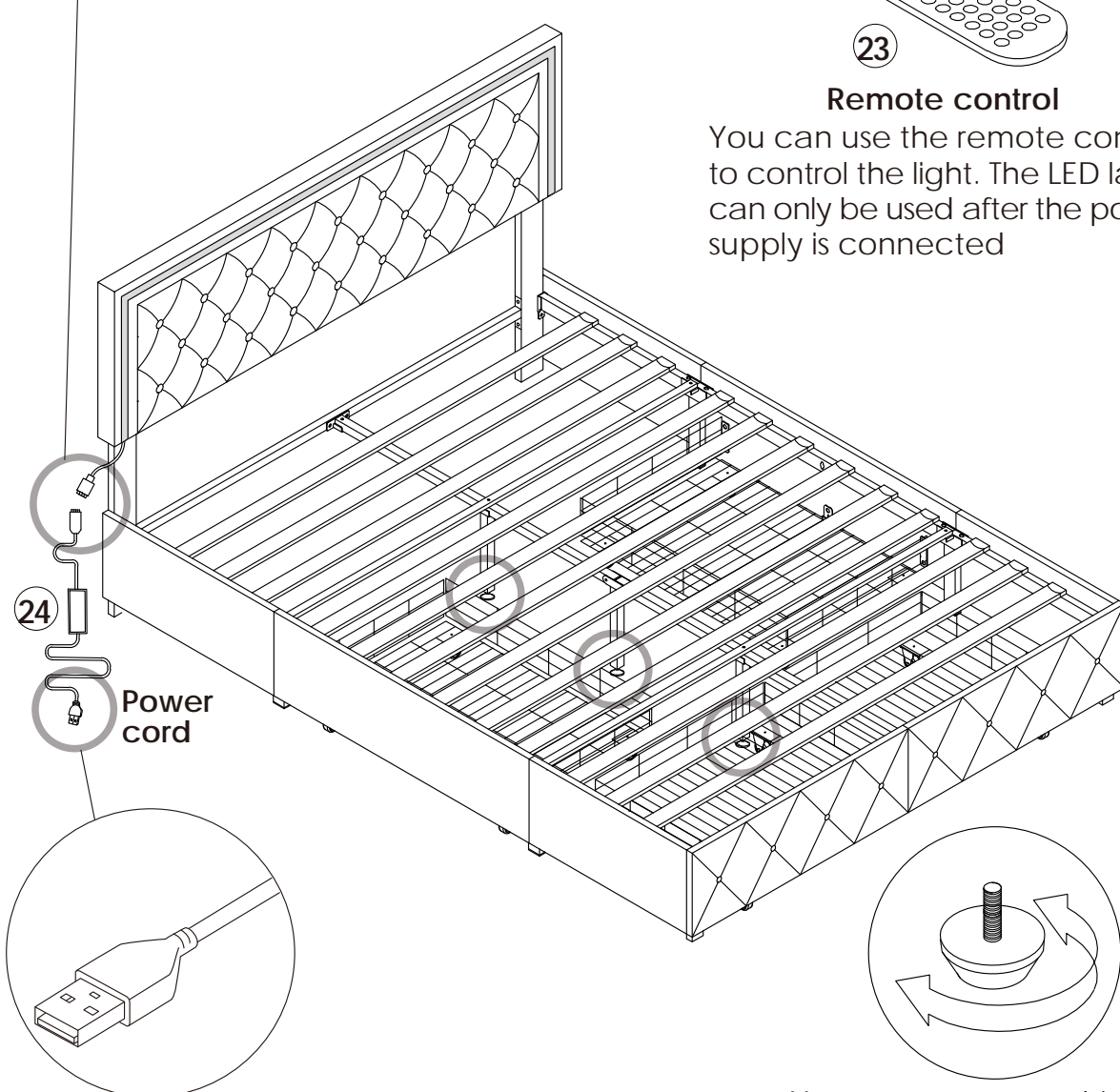


**NOTE:** The black part of the receiver 24 needs to be exposed to air in order to better control the LED light.



### Remote control

You can use the remote control to control the light. The LED lamp can only be used after the power supply is connected



24  
Power cord

You can try to turn this foot to adjust if the bed is placed on an uneven floor.

Please scan the QR code on the manual/controller and install the application.  
Step1: Please make sure your phone has Bluetooth enabled.  
Step2: The LED light will automatically connect to the APP.

