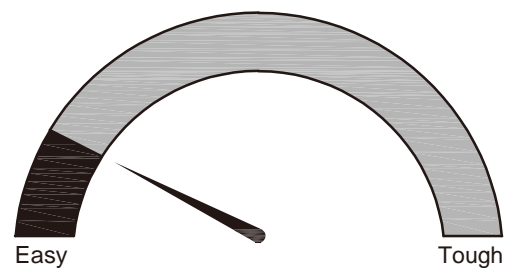


THIS INSTRUCTION BOOKLET CONTAINS IMPORTANT SAFETY INFORMATION. PLEASE READ AND KEEP FOR FUTURE REFERENCE.



WARNING

- Unit can tip over causing severe injury or death.
- Anchor unit to stud in wall (if instructed to).
- Do Not allow children to climb on unit.
- Put heavy items on lower shelves or drawers.



Assembly Difficulty Meter

Helpful Hints

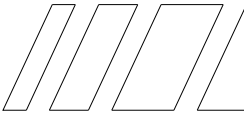
PEOPLE NEEDED FOR ASSEMBLY: 1 - 2
ESTIMATED ASSEMBLY TIME: 1 HOUR

- Open your item in the area you plan to keep it to avoid excessive heavy lifting.
- Identify, sort and count the parts before attempting assembly.
- Compression dowels are lightly tapped in with a hammer.
- Slides are labeled with a R (right) and L (left) for proper placement.
- Make sure to always face the point on the top of the Cam Lock towards the outer edge.
- Use all the nails provided for the back panel and spread them out equally.
- Back panel must be used to make sure your unit is sturdy.
- Do NOT use harsh chemicals or abrasive cleaners on this item.
- Never push, pull, or drag your furniture.



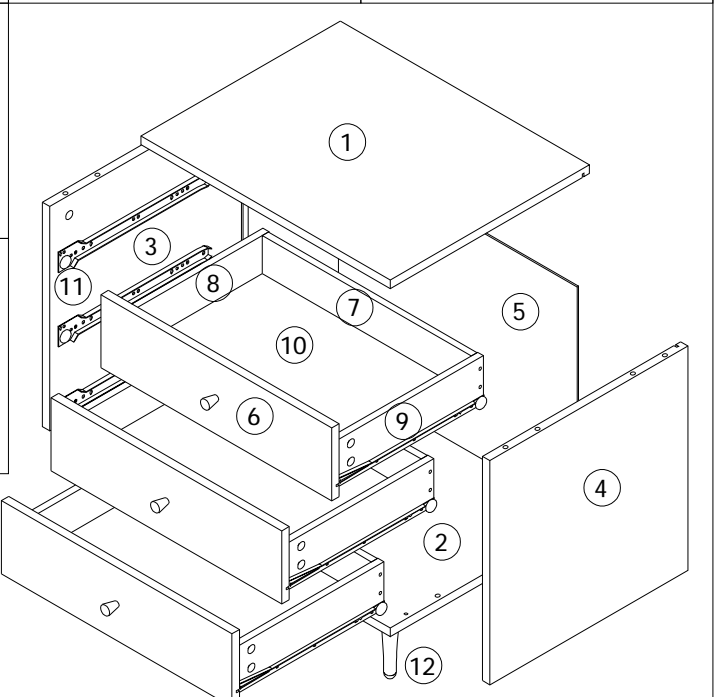
Before You Start

- Read through each step carefully and follow the proper order
- Separate and count all your parts and hardware
- Give yourself enough room for the assembly process
- Have the following tools: Hammer
- Caution: If using a power drill or power screwdriver for screwing, please be aware to slow down and stop when screw is tight. Failure to do so may result in stripping the screw.



<p>①</p>	<p>②</p>	<p>③</p>	<p>④</p>
<p>⑤</p>	<p>⑥</p> <p>3 PCS</p>	<p>⑦</p> <p>3 PCS</p>	<p>⑧</p> <p>3 PCS</p>
<p>⑨</p> <p>3 PCS</p>	<p>⑩</p> <p>3 PCS</p>	<p>⑪</p> <p>12" 3 SET</p>	<p>⑫</p> <p>4 PCS</p>

<p>A M5*40</p> <p>16 PCS+1</p>	<p>B Ø15*10</p> <p>16 PCS+1</p>	<p>C M5*40</p> <p>16 PCS+1</p>	<p>D M3.5*12</p> <p>24 PCS+2</p>
<p>E Ø8*40</p> <p>8 PCS+1</p>	<p>F M4*18</p> <p>3 PCS</p>	<p>G</p> <p>3 PCS</p>	<p>H</p> <p>4 PCS+1</p>
<p>I M3.5*14</p> <p>20 PCS+2</p>	<p>1 PCS</p>		

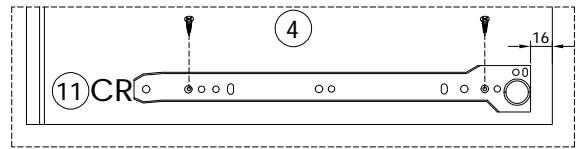
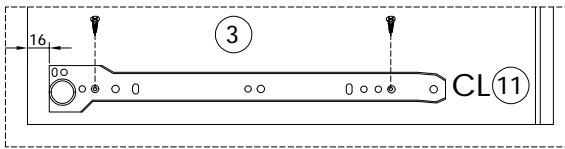
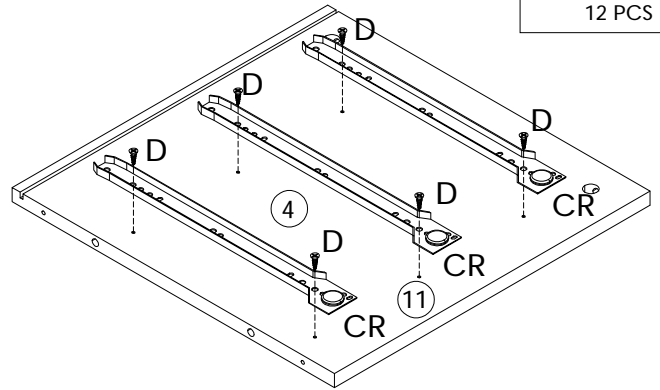
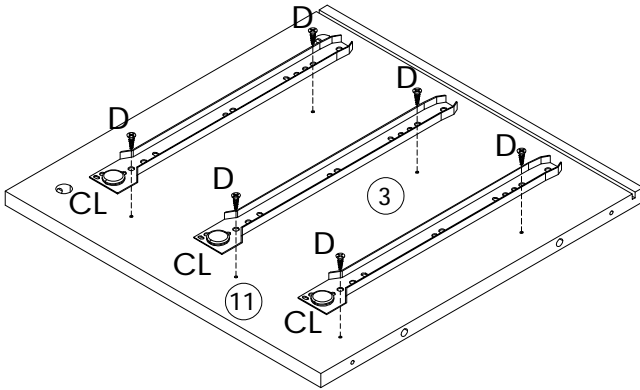


1




D M3.5*12

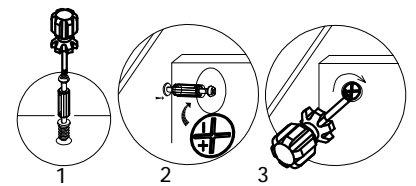
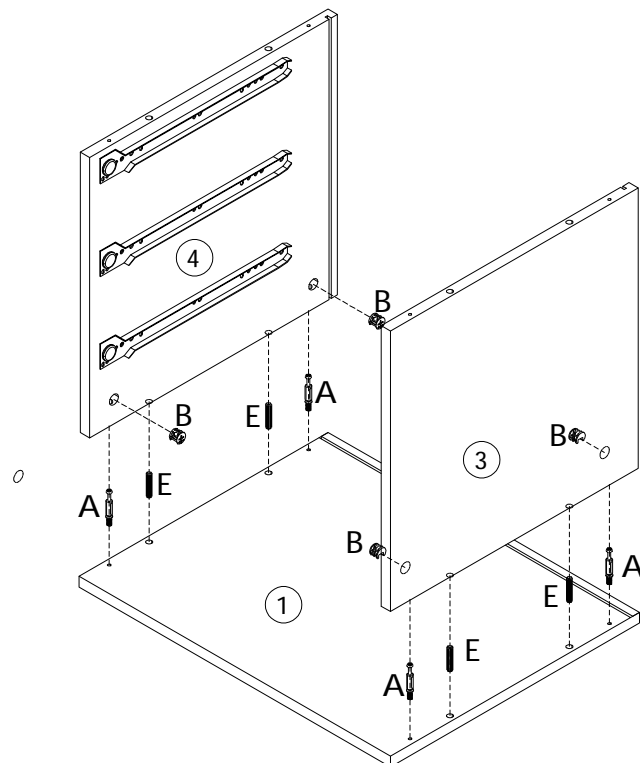


12 PCS





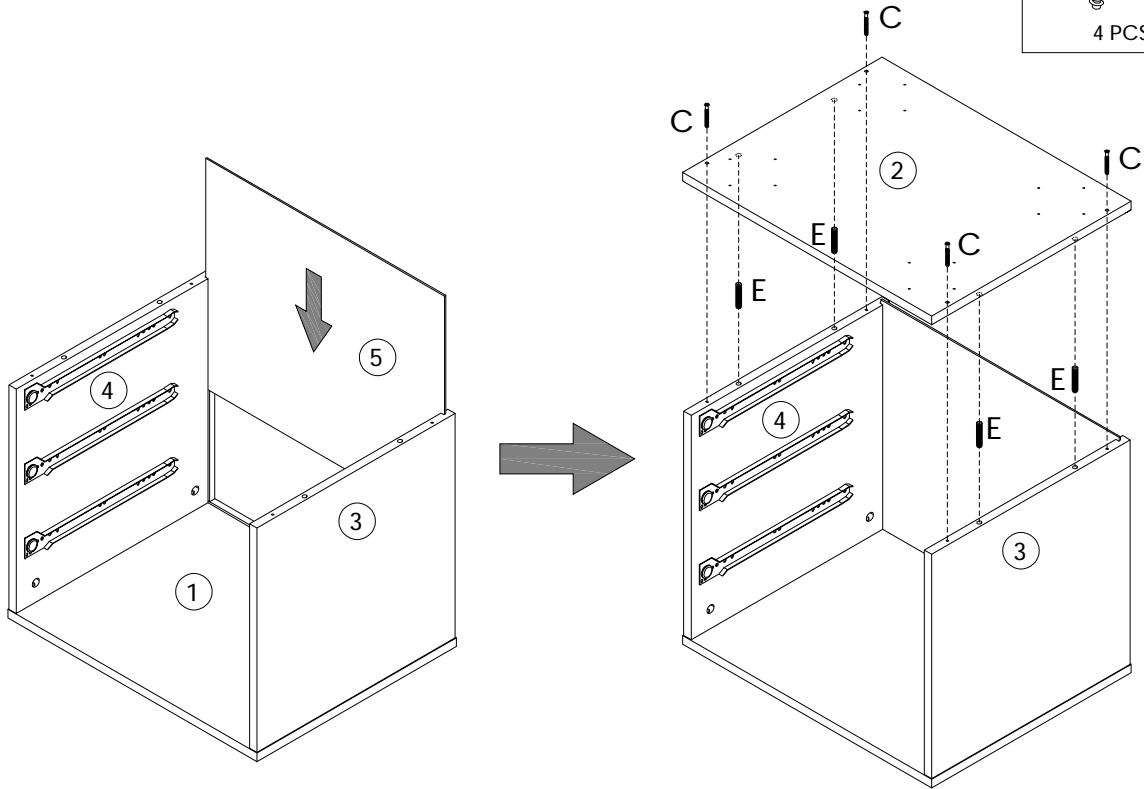
2

<p>A M5*40</p>  <p>4 PCS</p>	<p>B Ø15*10</p>  <p>4 PCS</p>	<p>E Ø8*40</p>  <p>4 PCS</p>
---	--	---




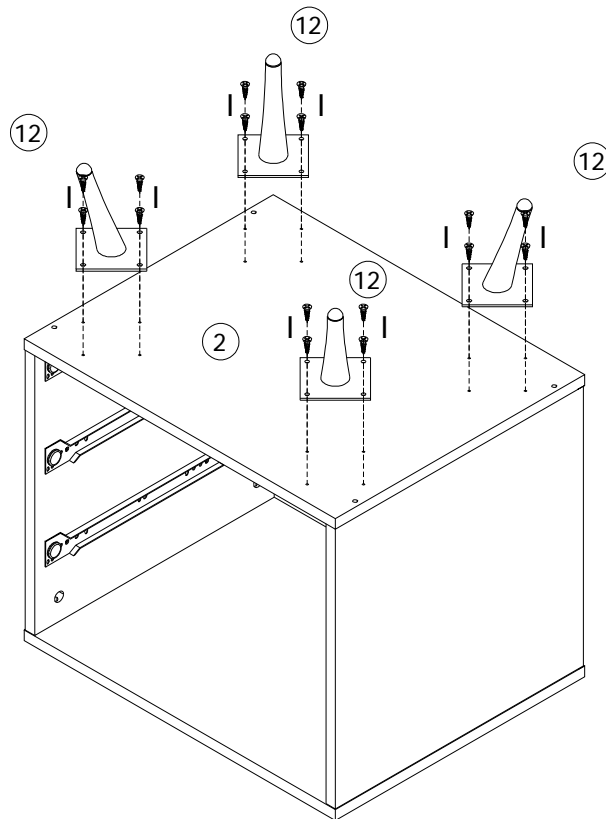
3

C	M5*40	E	Ø8*40
			
4 PCS		4 PCS	




4

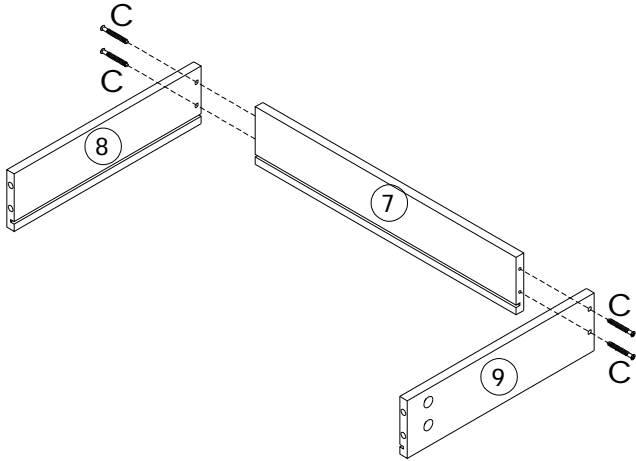
I	M3.5*14
	
16 PCS	



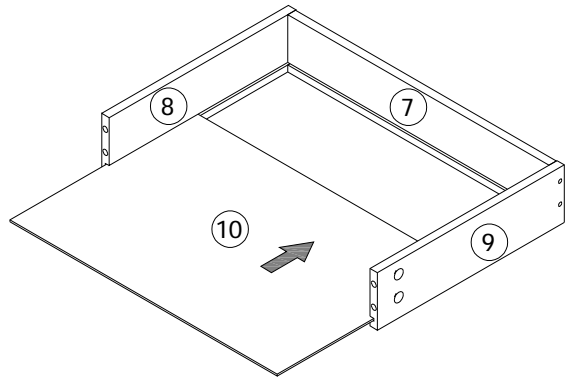
5

C M5*40

 12 PCS

6







x3



x3

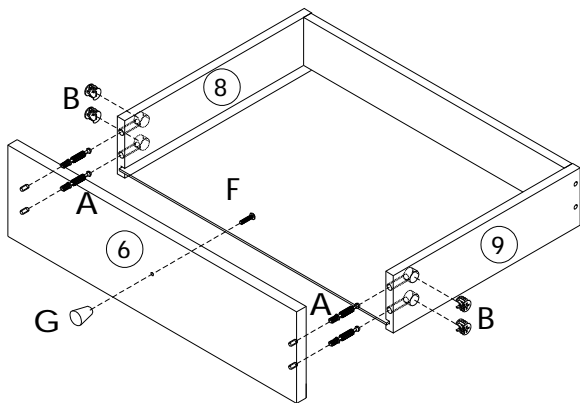
7

A M5*40  12 PCS	B Ø15*10  12 PCS	F M4*18  3 PCS	G  3 PCS
--	---	---	---

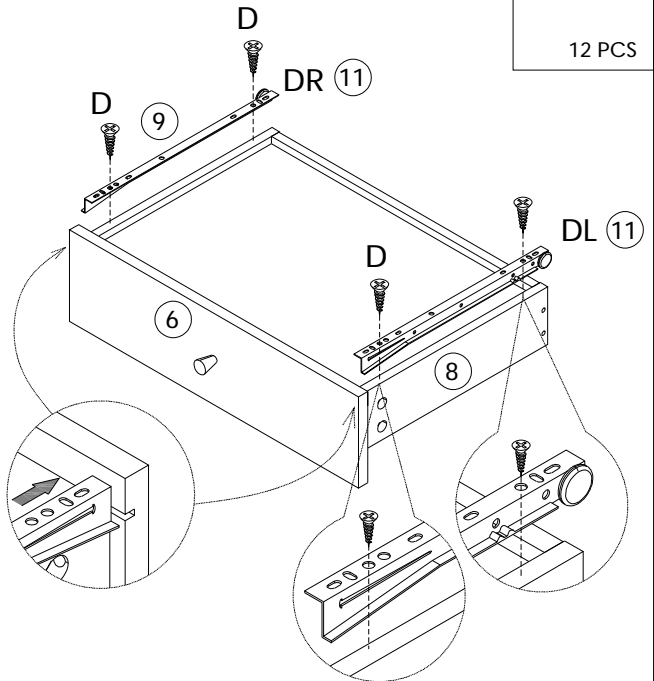
8

D M3.5*12

 12 PCS

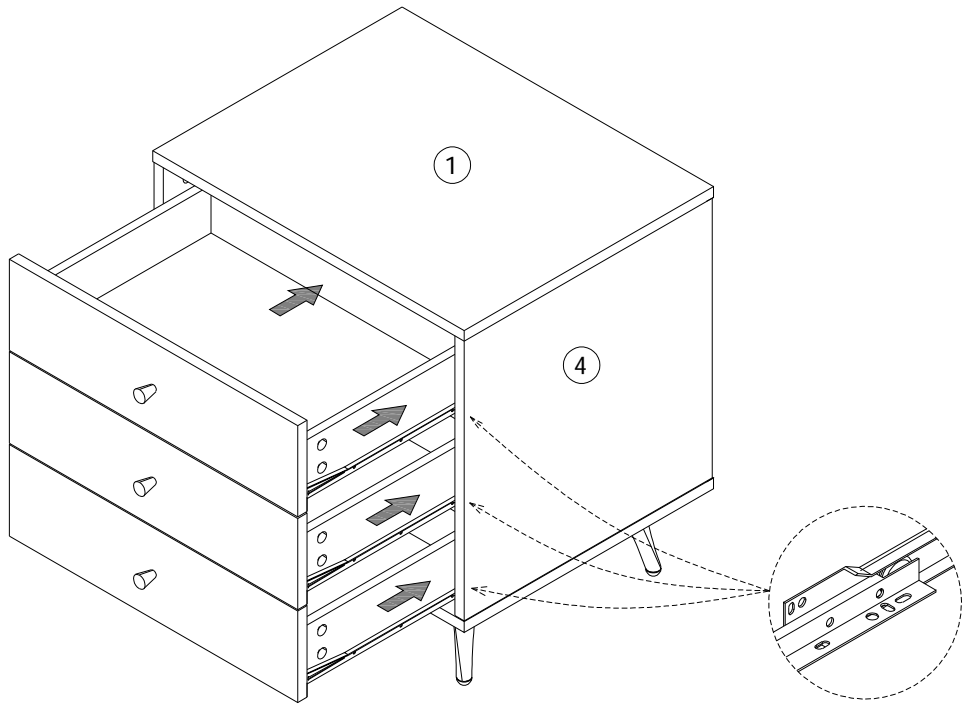


x3

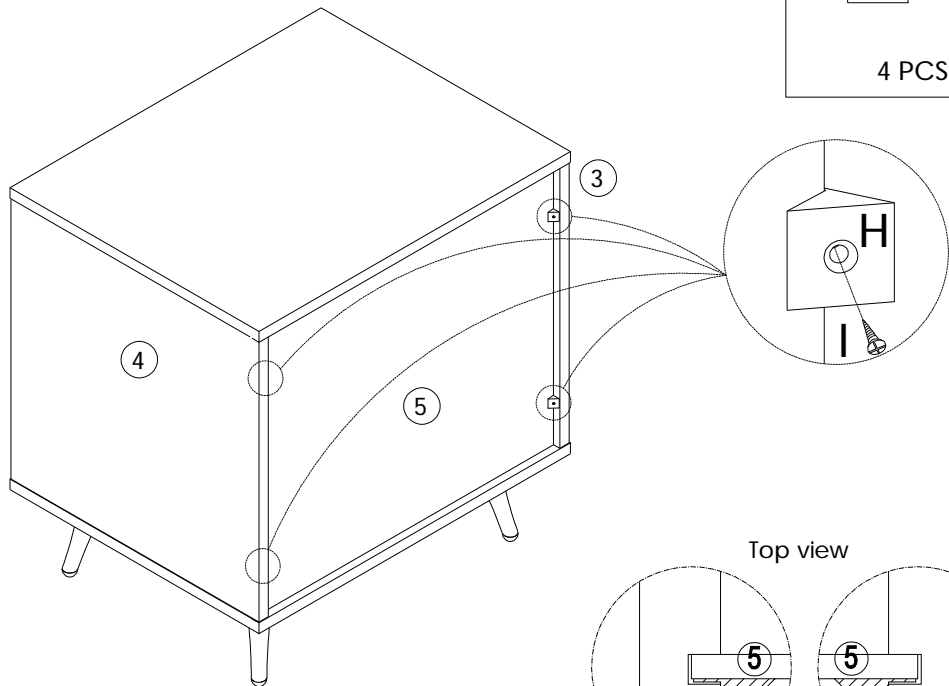


x3

9



10



H	I M3.5*14
4 PCS	4 PCS

Top view

