

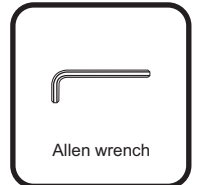
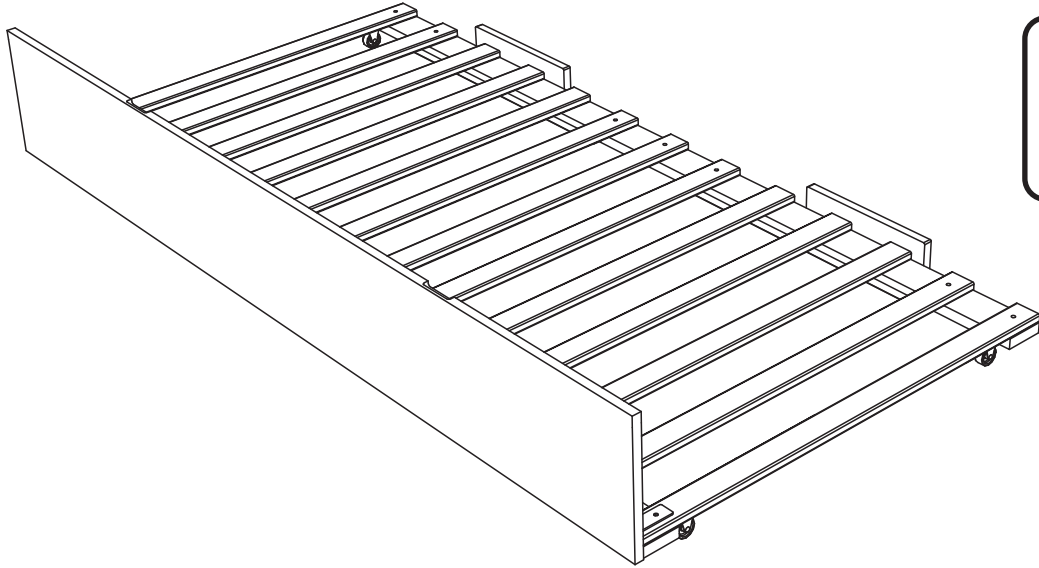


# TRUNDLE BED



## ASSEMBLY INSTRUCTIONS

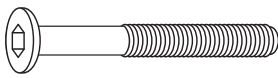
Before assembling your Trundle bed, please read through these instructions carefully. Familiarize yourself with the different parts.

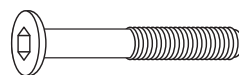


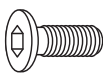
**PO :**

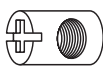
## HARDWARE

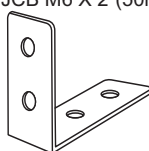
NOTE: WE INCLUDE SPARE HARDWARE IN CASE DAMAGE OCCURS DURING ASSEMBLY.

**A**  JCB M6 X 2 3/8" ( 60mm ) - 4 pcs  
Spare - 1 pc

**B**  JCB M6 X 1 3/4" ( 45mm ) - 17 pcs  
Spare - 2 pcs

**C**  JCB M6 X 5/8" ( 15mm ) - 6 pcs  
Spare - 2 pcs  
Fix L bracket to front panel

**D**  Barrel nut - 4 pcs  
Spare - 1 pc  
For JCB M6 X 2"(50mm )

**E**  L Bracket - 3 pcs

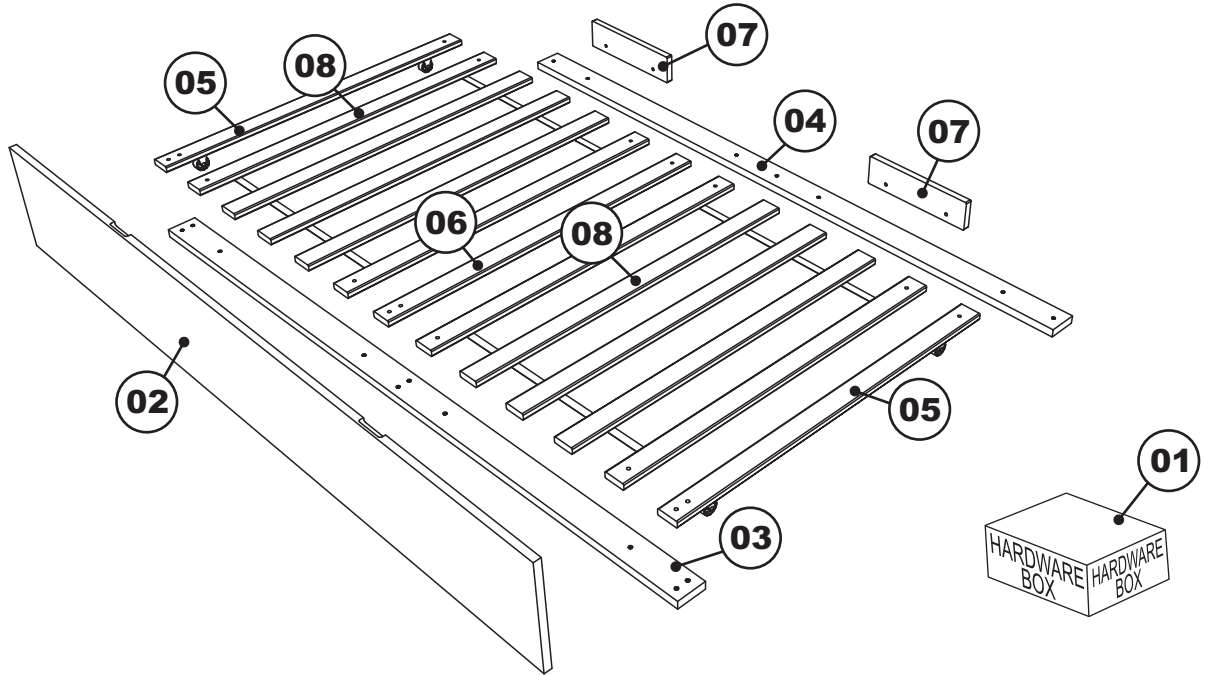
**F**  Allen wrench - 1 pc  
Spare - 1 pc



# TRUNDLE BED

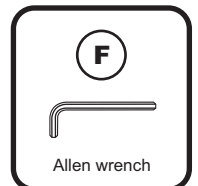
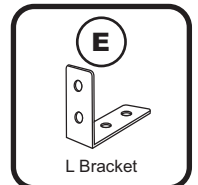
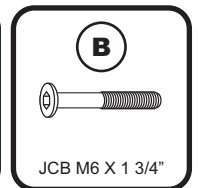
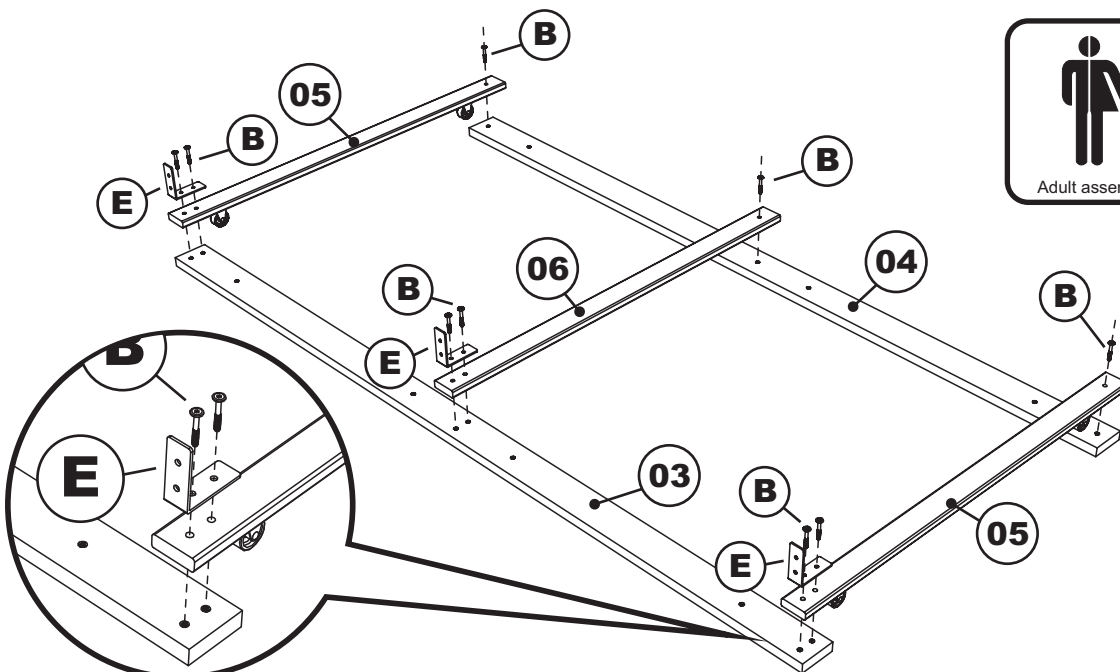
## PARTS LIST

|           |                    |              |           |                          |              |
|-----------|--------------------|--------------|-----------|--------------------------|--------------|
| <b>01</b> | <b>HARDWARE</b>    | <b>1 BOX</b> | <b>05</b> | <b>SIDE CROSS RAIL</b>   | <b>2 PCS</b> |
| <b>02</b> | <b>FRONT PANEL</b> | <b>1 PC</b>  | <b>06</b> | <b>CENTER CROSS RAIL</b> | <b>1 PC</b>  |
| <b>03</b> | <b>FRONT RAIL</b>  | <b>1 PC</b>  | <b>07</b> | <b>REAR BLOCK</b>        | <b>2 PCS</b> |
| <b>04</b> | <b>BACK RAIL</b>   | <b>1 PC</b>  | <b>08</b> | <b>SLAT KIT</b>          | <b>2 SET</b> |



### Step 1

Attach the side cross rails (05) and center cross rail (06) to the front and back rail (03)(04), using L bracket (E), JCB M6 X 1 3/4"(B). Tighten with the Allen wrench (F).

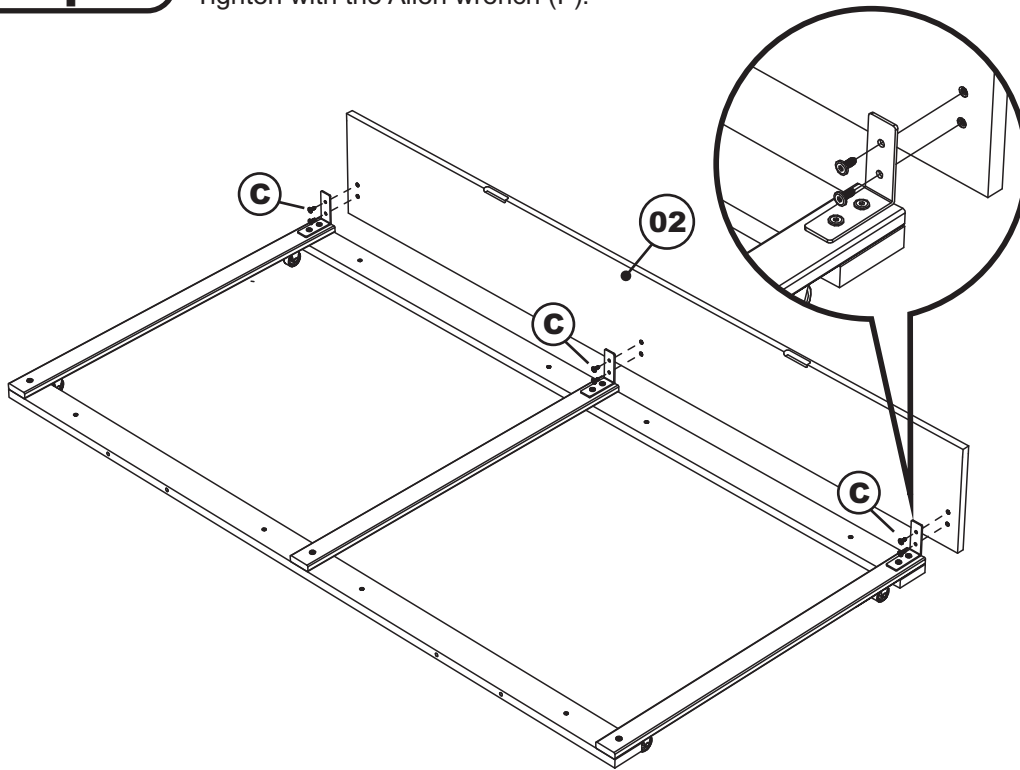




# TRUNDLE BED

## Step 2

Attach the front panel (02) to the front rail as shown, using JCB M6 X 5/8" (C). Tighten with the Allen wrench (F).



Adult assembly

C



JCB M6 X 5/8"

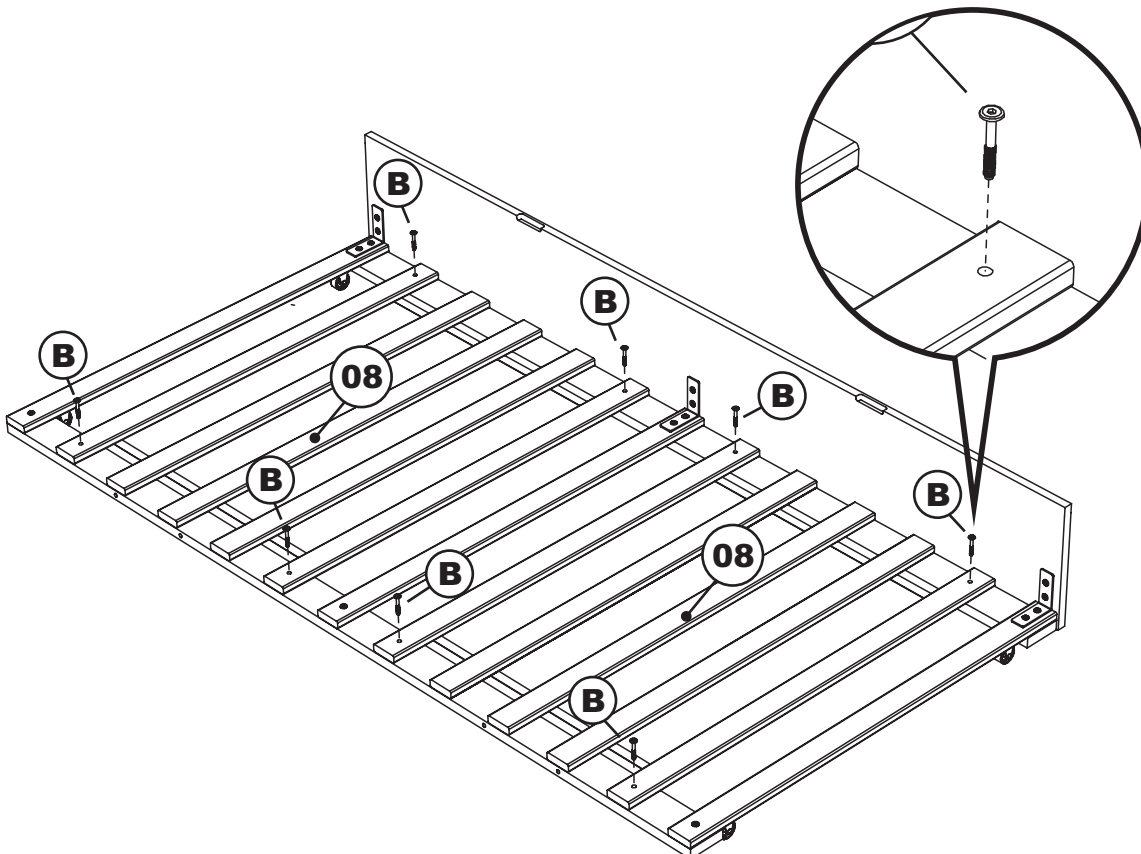
F



Allen wrench

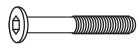
## Step 3

Lay the slat kit (08) onto the rail assembly as shown, using JCB M6 X 1 3/4" (B). Tighten with the Allen wrench (F).



Adult assembly

B



JCB M6 X 1 3/4"

F



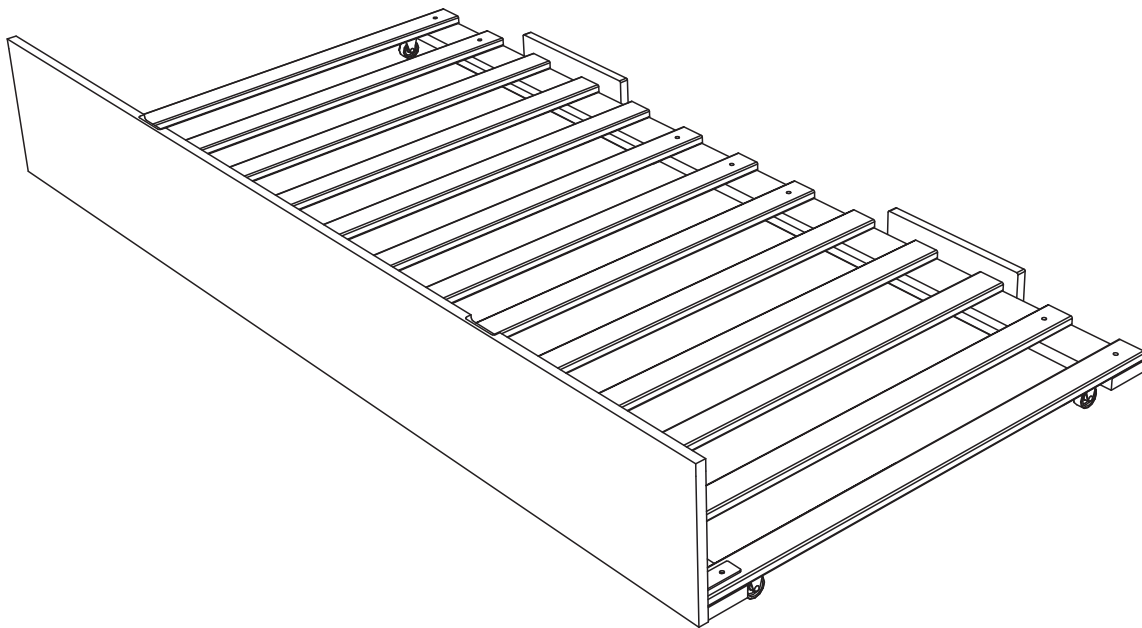
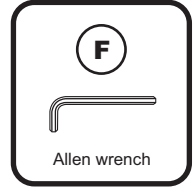
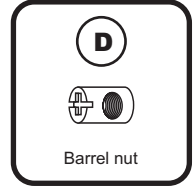
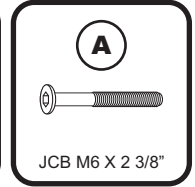
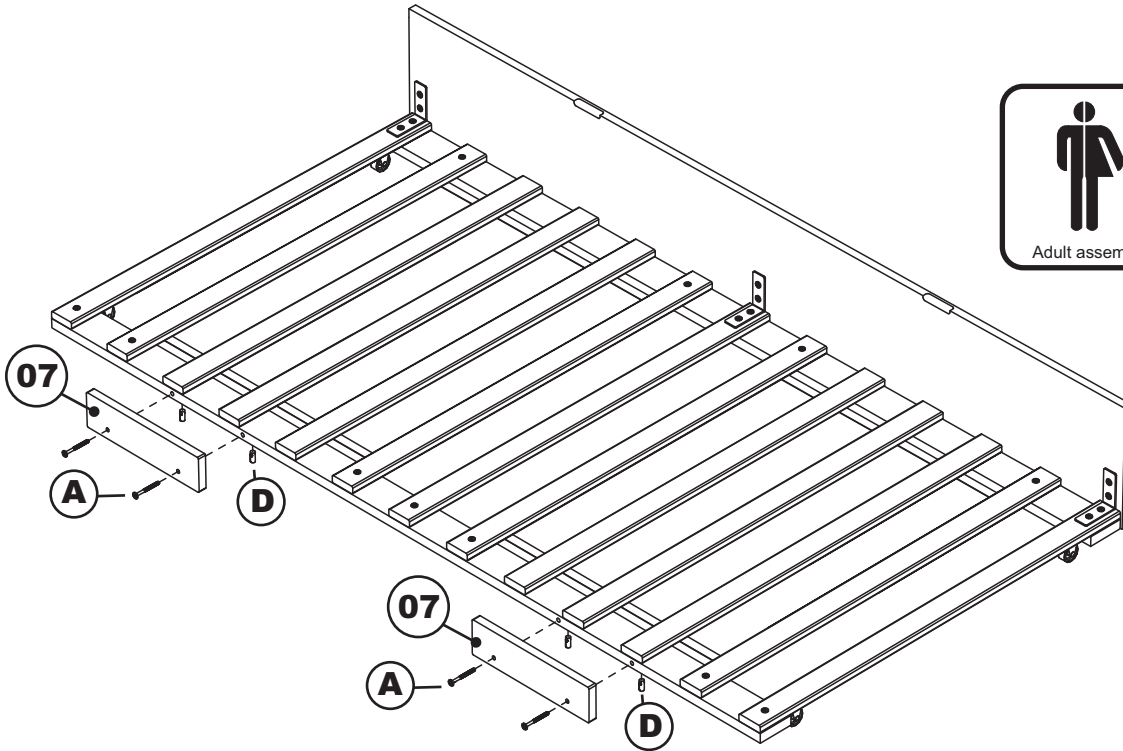
Allen wrench



# TRUNDLE BED

## Step 4

Attach the rear block (07) to the back rail as shown. Using JCB M6 X 2 3/8" (A) barrel nut (D), tighten with the Allen wrench (F)



## Congratulations!

Your bed is now ready for use.

We recommend that you periodically check that all screws are tight and all parts are secure to ensure lasting safety.