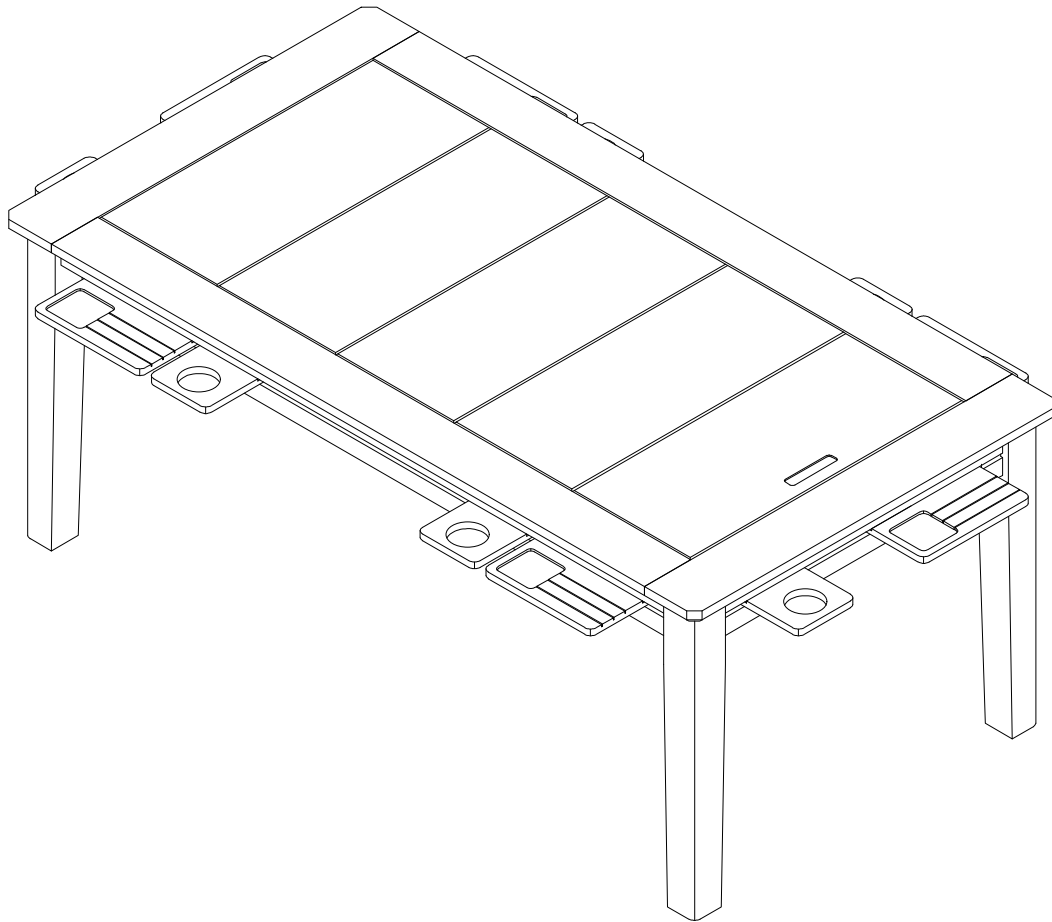


# Board Game Table



As this item contains many parts, please read the installation instruction carefully before installation. Please use tools properly and carefully. If you have any questions regarding the product or installation, please contact us. Our professional after-sales team will respond within 24 hours online

# Before You Start

People need for assembly:1-2

Read through each step carefully and follow the proper order

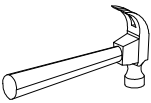
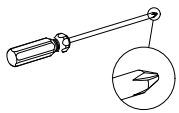
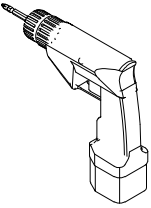
Separate and count all your parts

Give yourself enough room for the assembly process and hardware

You need the following tools: Power drill,Phillips head screwdriver

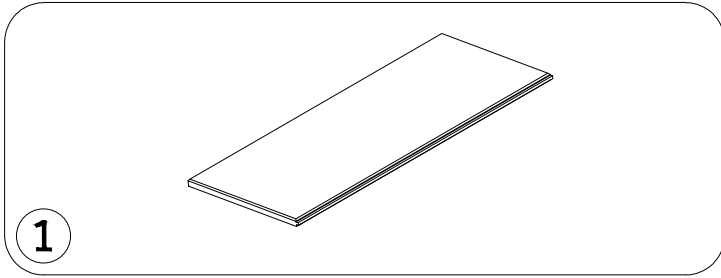
Caution: If using a power drill or power screwdriver for screwing. Please be aware of slowing down and stop when screw is tight. Failure to do so may result in stripping the screw.  
(Assembly speed can be increased by using electric screwdriver)

Caution: When flipping the table from legs-up to legs-down position during installation, always lift with two people to avoid crushing the legs

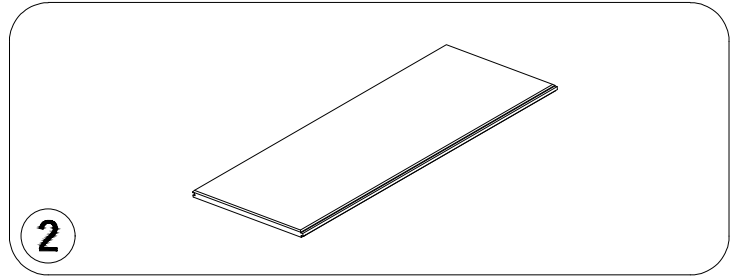


# PART LIST

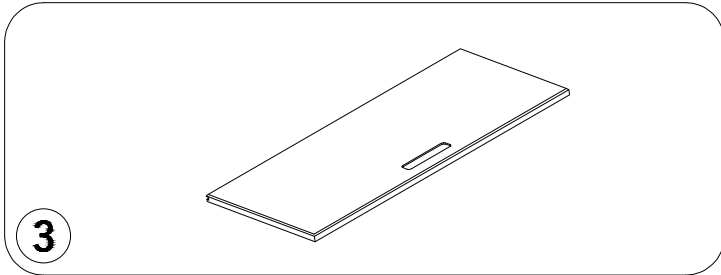
---



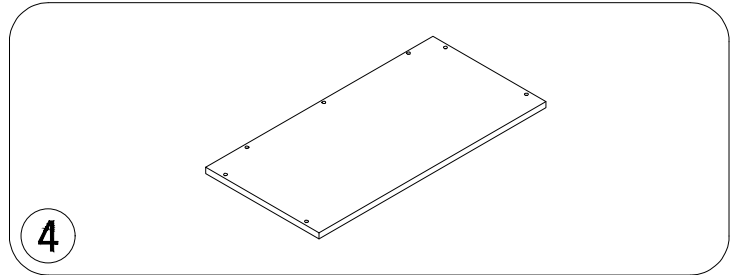
Left panel  
1PCS



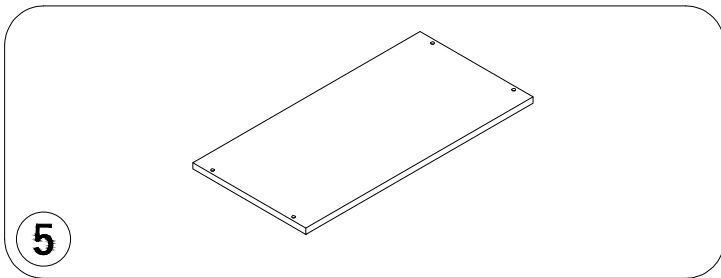
Inner panel  
3PCS



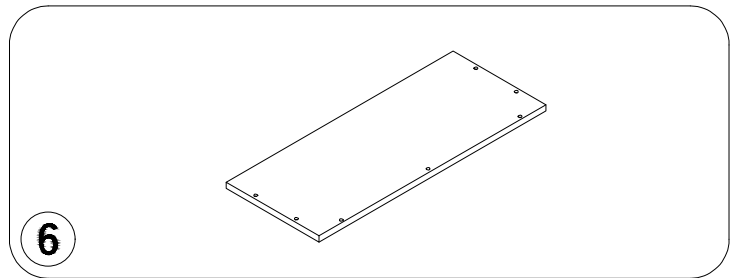
Right panel  
1PCS



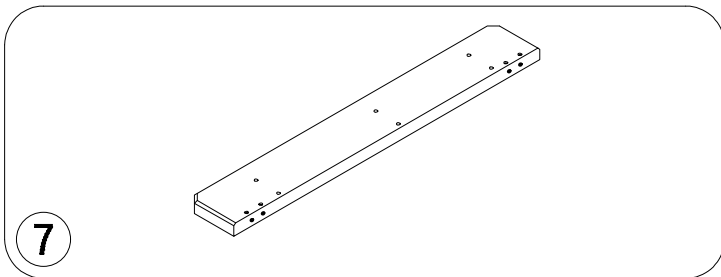
Edge bottom plate  
1PCS



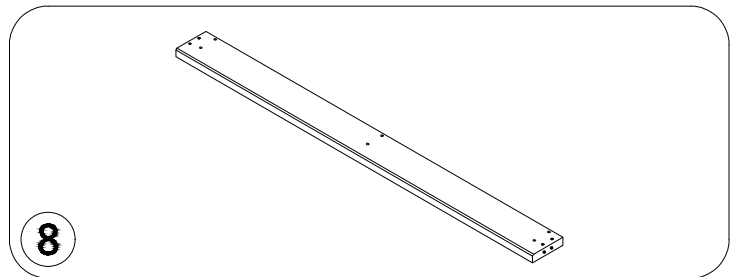
Inner bottom plate  
3PCS



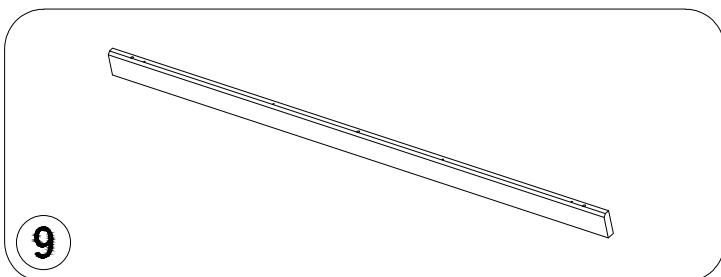
Edge bottom plate  
1PCS



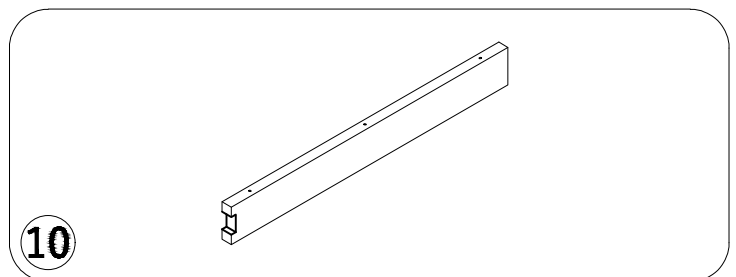
Panel short square  
2PCS



Panel rectangular  
2PCS



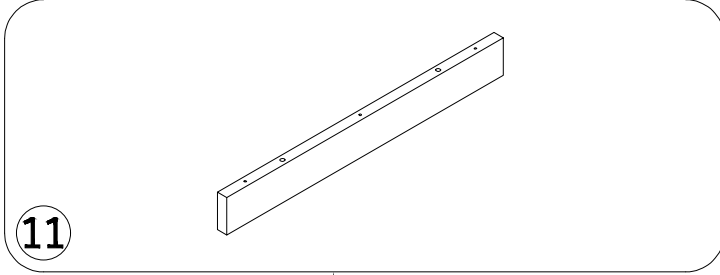
Innernall long pull strip  
2PCS



Internal short pull strip  
1PCS

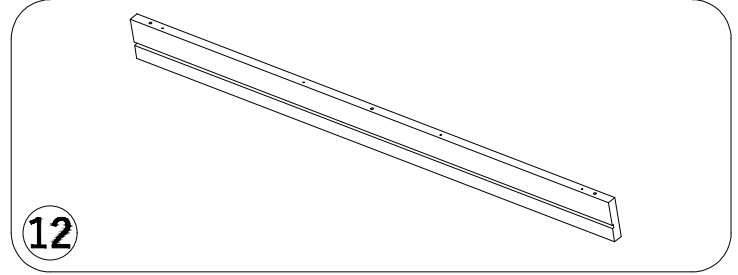
# PART LIST

---



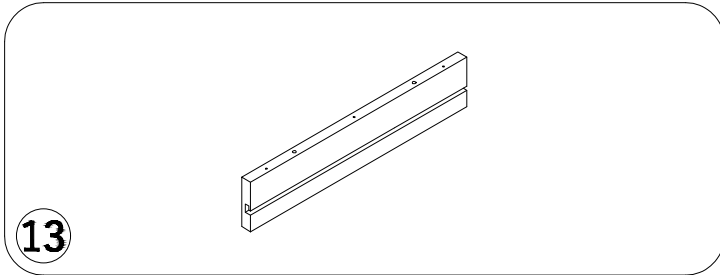
11

Internal short pull strip  
1PCS



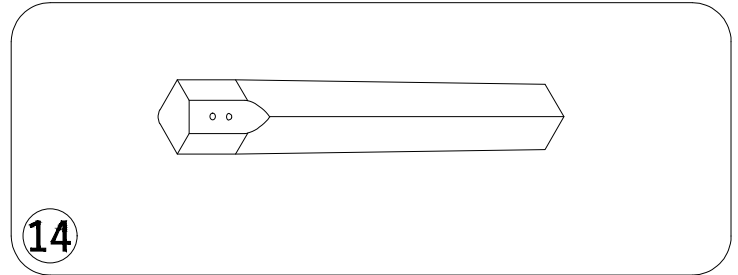
12

External long pull strip  
2PCS



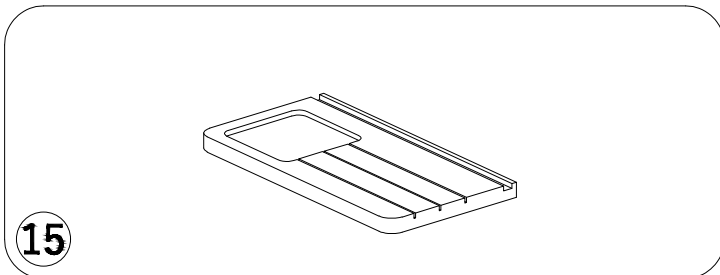
13

External short pull strip  
2PCS



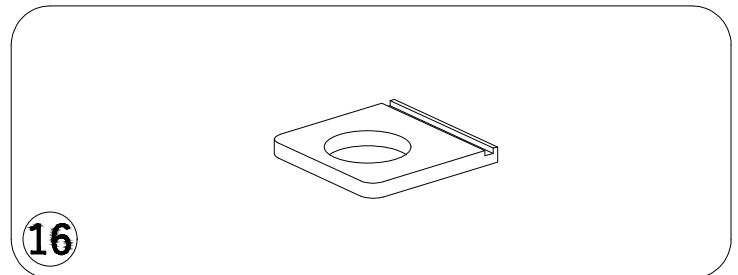
14

Foot  
4PCS



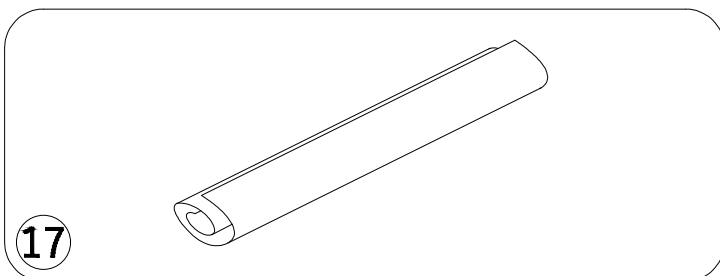
15

Tray  
6PCS



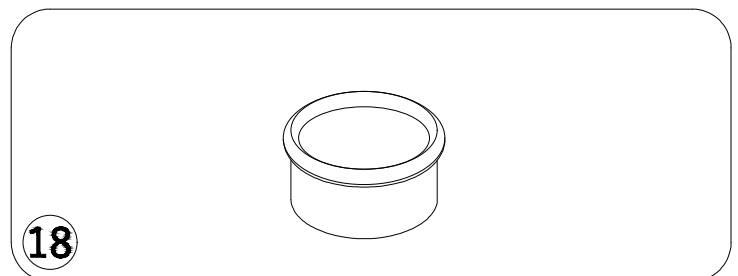
16

Cup holder  
6PCS



17


Table mat  
1PCS



18

Cup  
6PCS

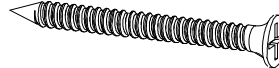
# HARDWARE LIST



**4x40**

**(A)** 14+5PCS


**Self tapping screws**



**4X45**

**(B)** 14+5PCS


**Self tapping screws**



**4x20**

**(C)** 16+2PCS

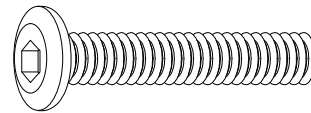
**Self tapping screws**



**8x30**

**(D)** 26+5PCS

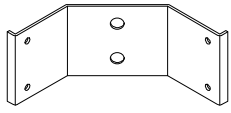
**Wood screws**



**M8X30**

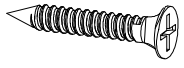
**(E)** 8+1 PCS

**Flat head screws**



**(F)** 4 PCS


**Connecting iron sheets**



**4x16**

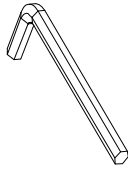
**(G)** 16+5PCS

**Self tapping screws**




**(H)** 4+2 PCS

**Foot pads**



**(I)** 1 PCS

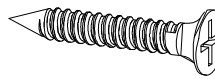
**Allen key**



**10X40**

**(J)** 8+5PCS


**Wood screws**



**4X30**


**(K)** 26+5PCS

**Self tapping screws**



**(L)** 18+5PCS

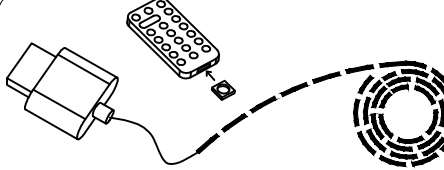
**18+5PCS**



**3X12**

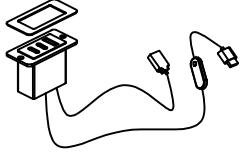
**(M)** 22+3PCS

**3X12**



**(N)** 1PCS

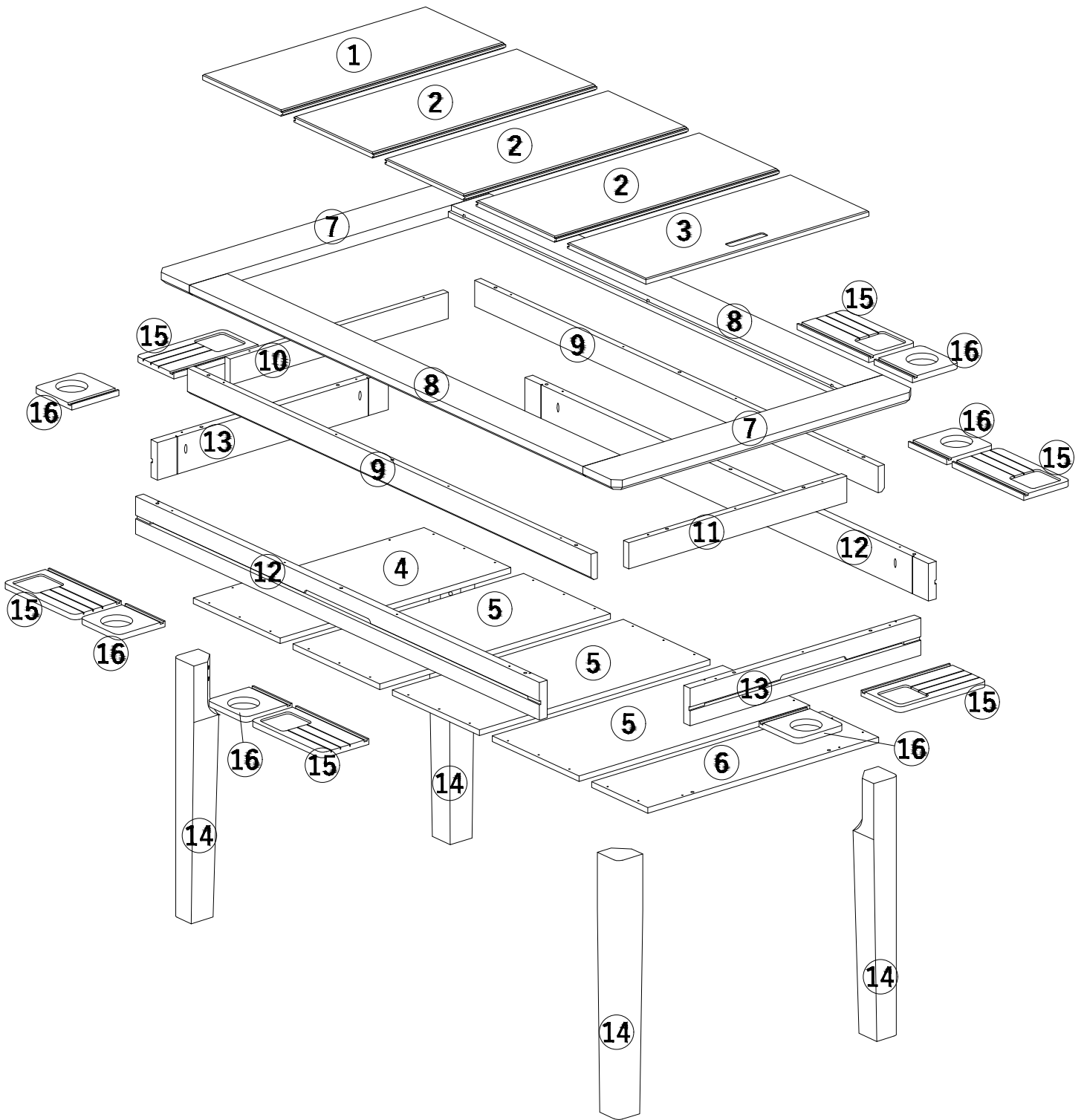
**1PCS**



**(P)** 2PCS

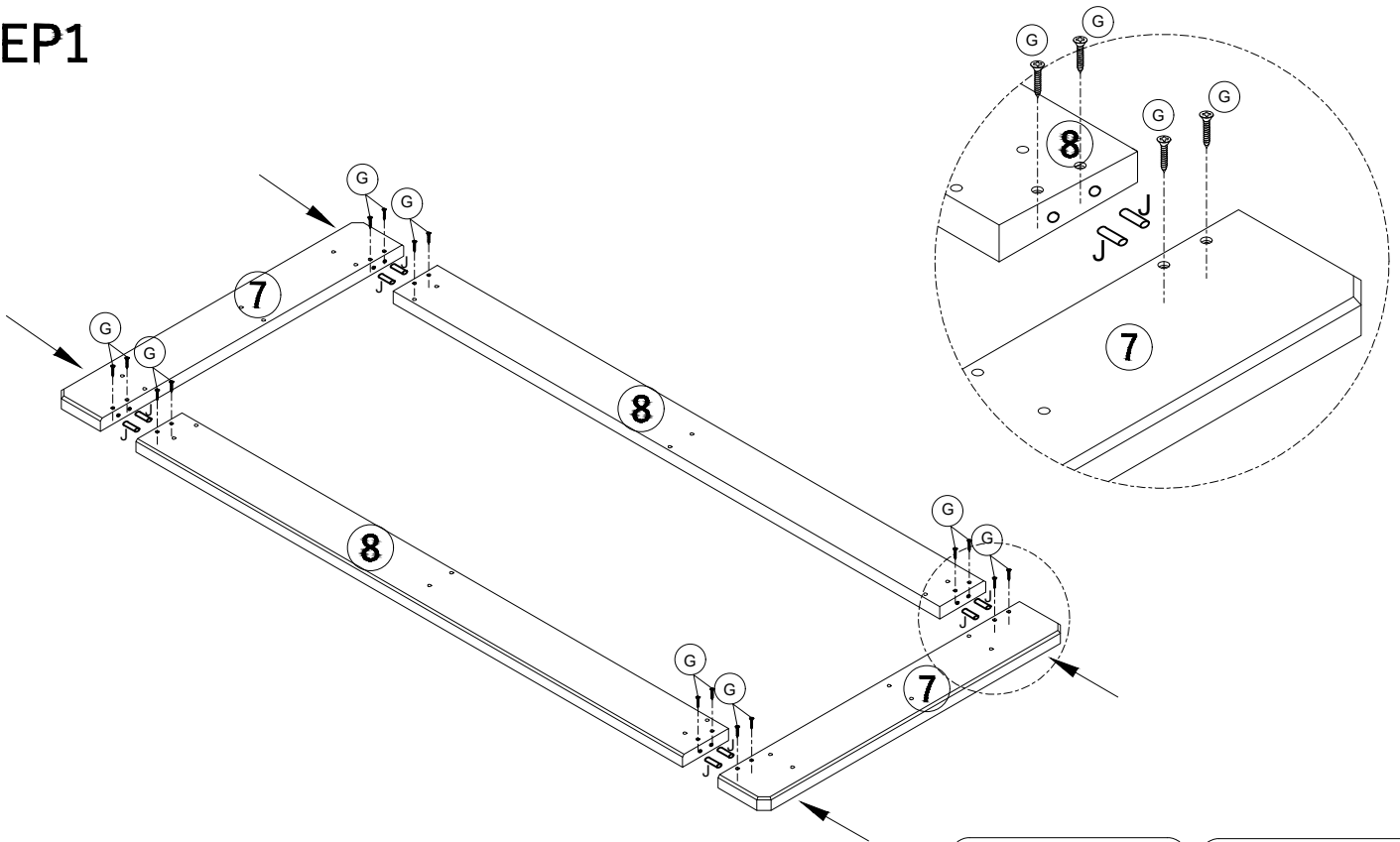
**2PCS**


# EXPLODED VIEW




# INSTALLATION STEPS

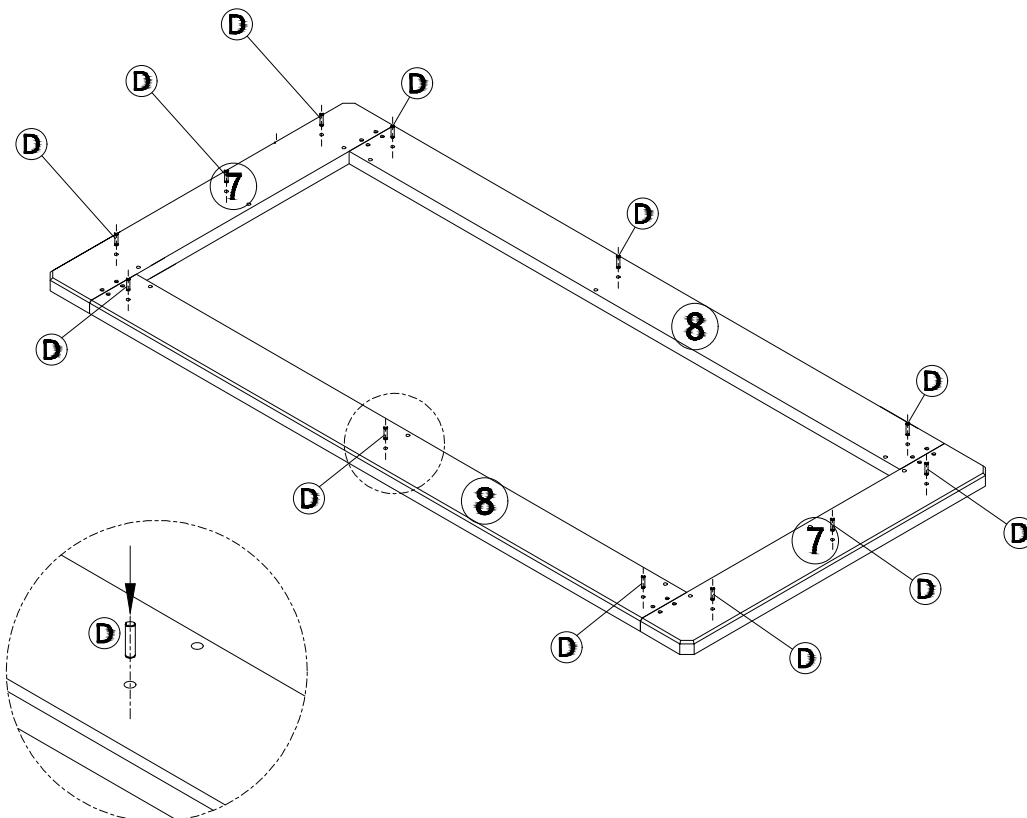
## STEP1





10X40
(J) 8PCS


4x16
(G) 16PCS

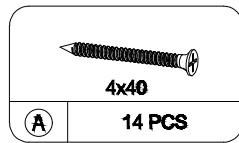
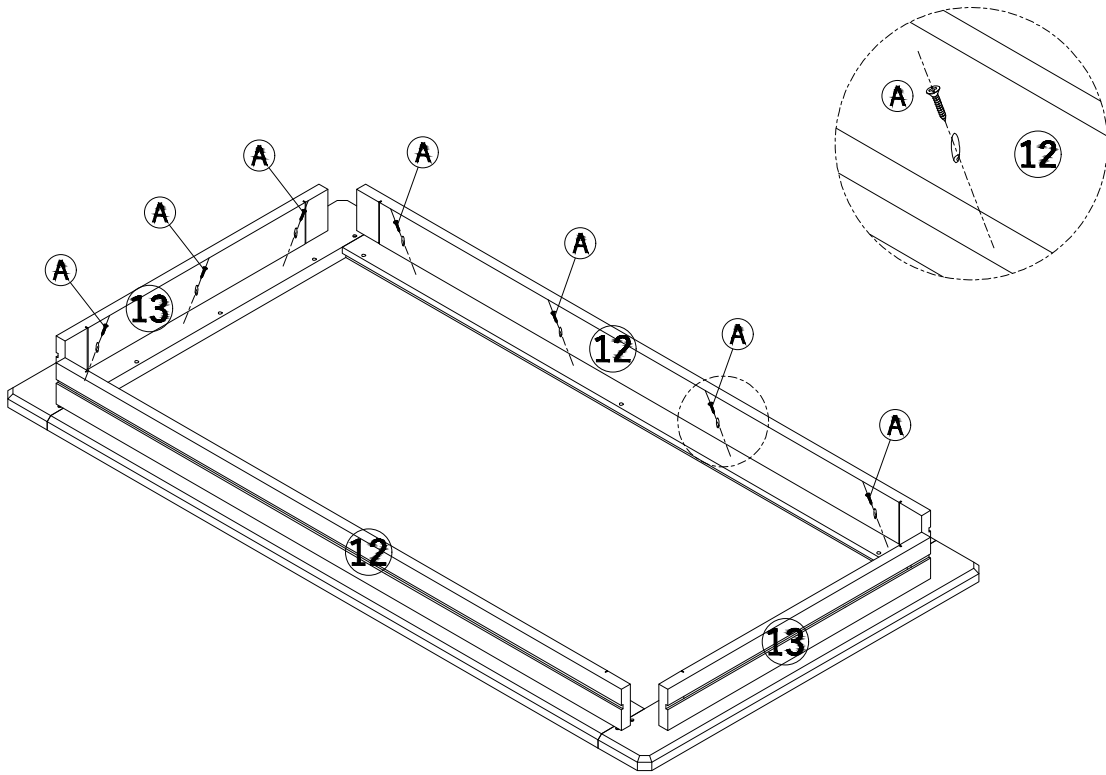
## STEP2



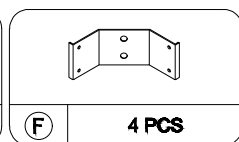
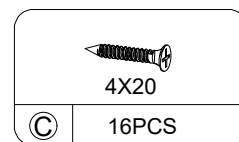
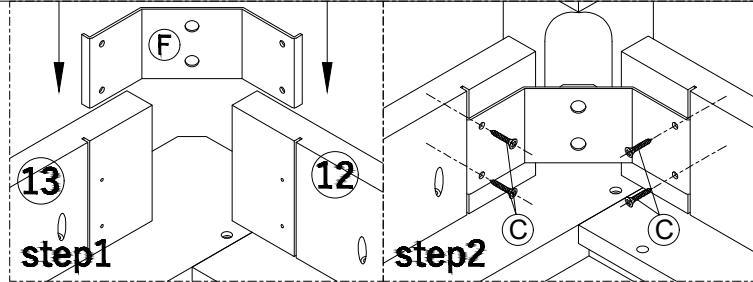
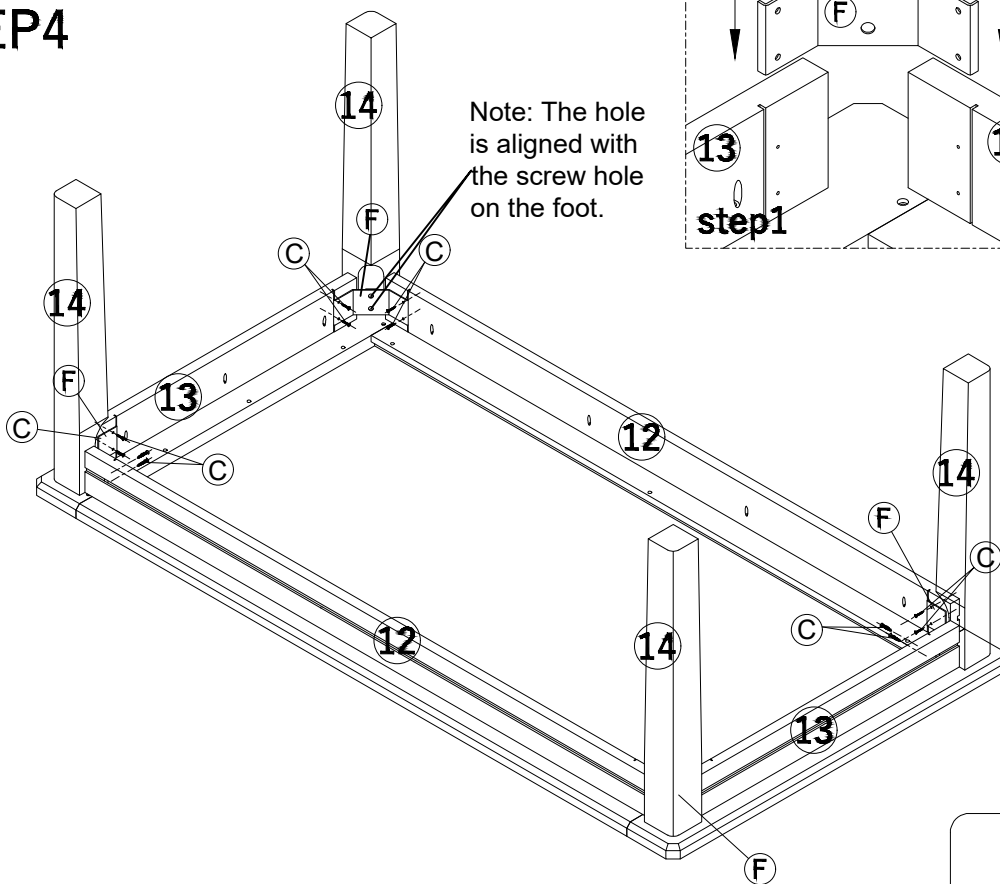

8x30
(D) 12PCS

# INSTALLATION STEPS

## STEP 3

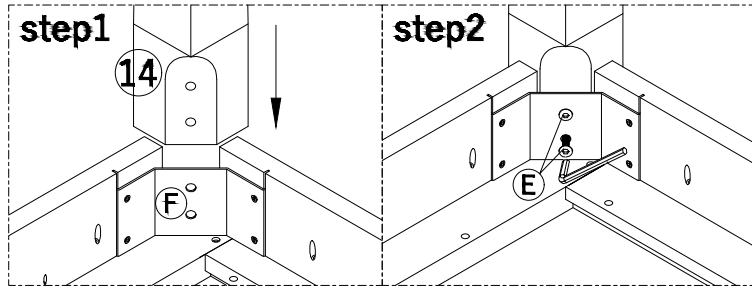
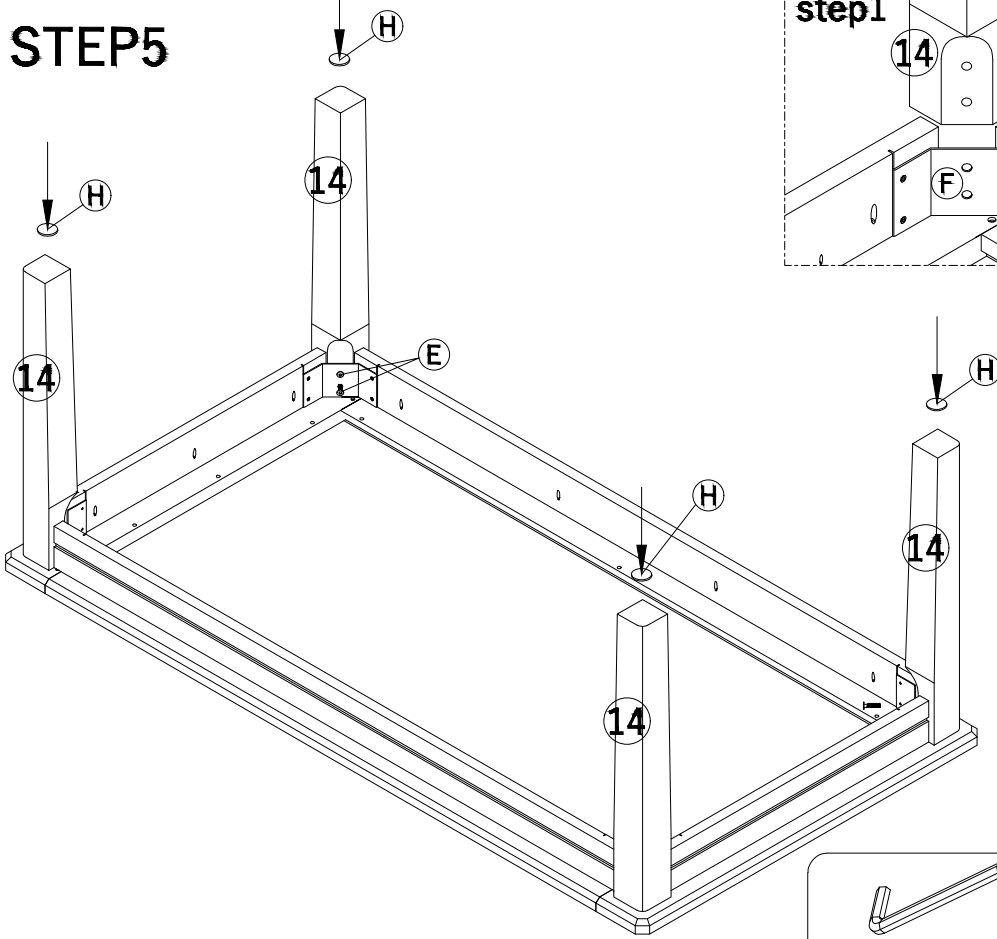


## STEP 4

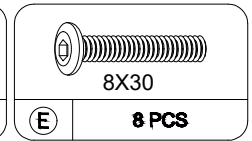
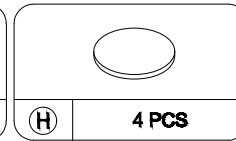
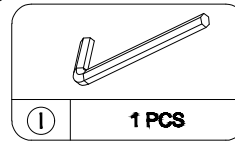


# INSTALLATION STEPS

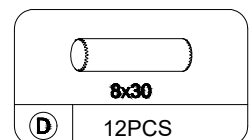
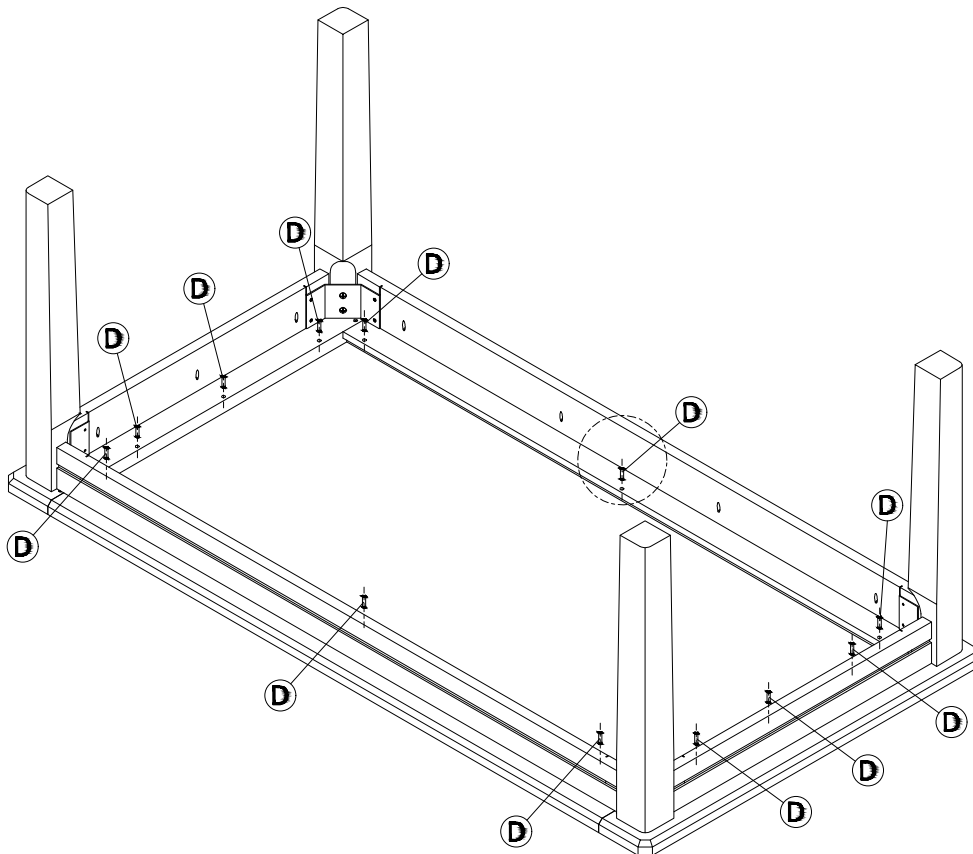
## STEP5



Warning: Do not use an electric screwdriver for this step



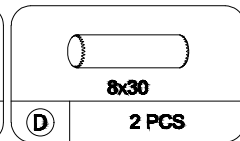
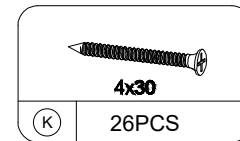
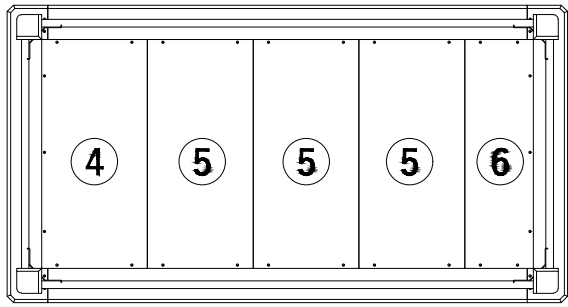
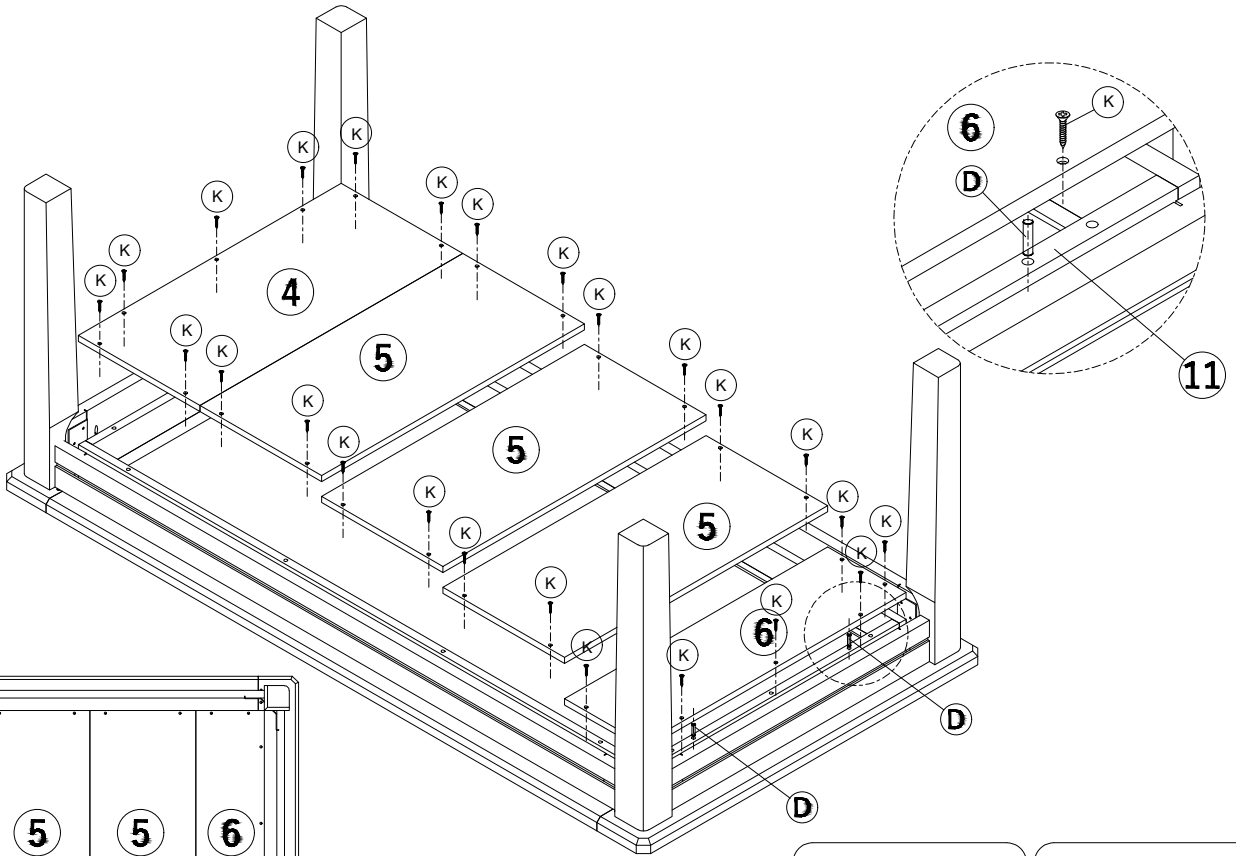
## STEP6





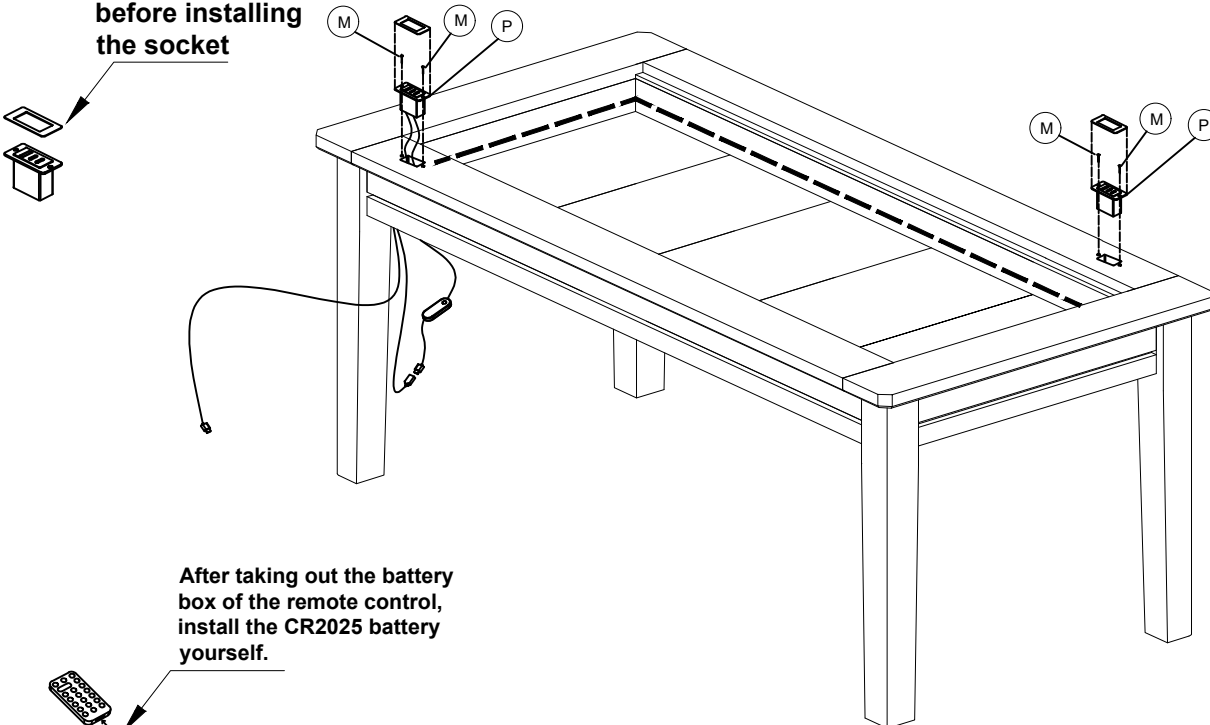
# INSTALLATION STEPS

## STEP 9

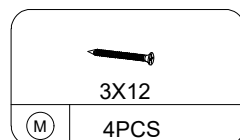
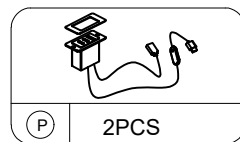


## STEP 10

Take off the socket cover before installing the socket



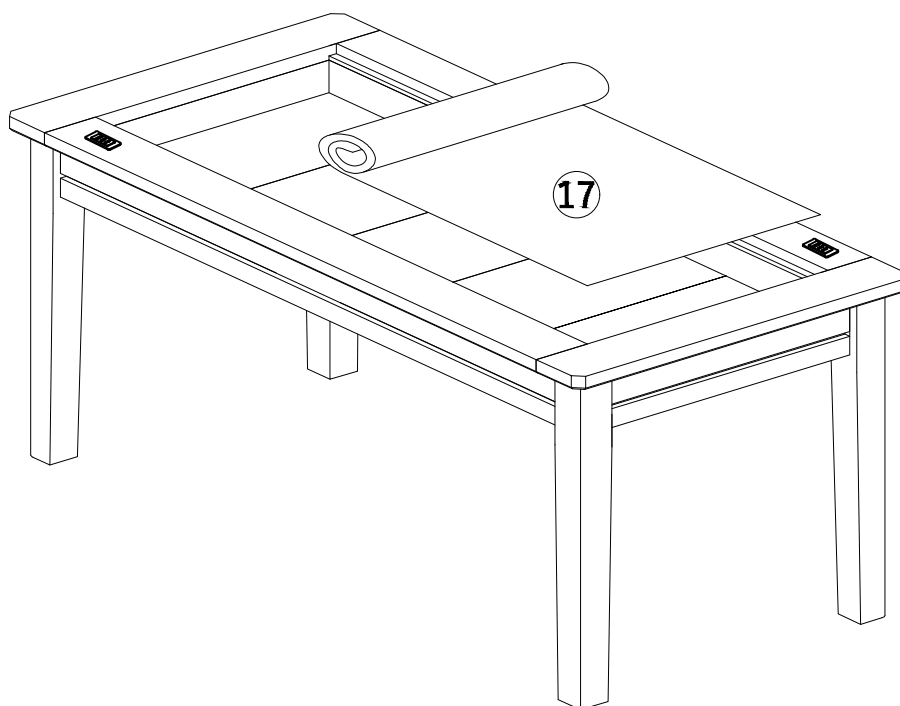
After taking out the battery box of the remote control, install the CR2025 battery yourself.



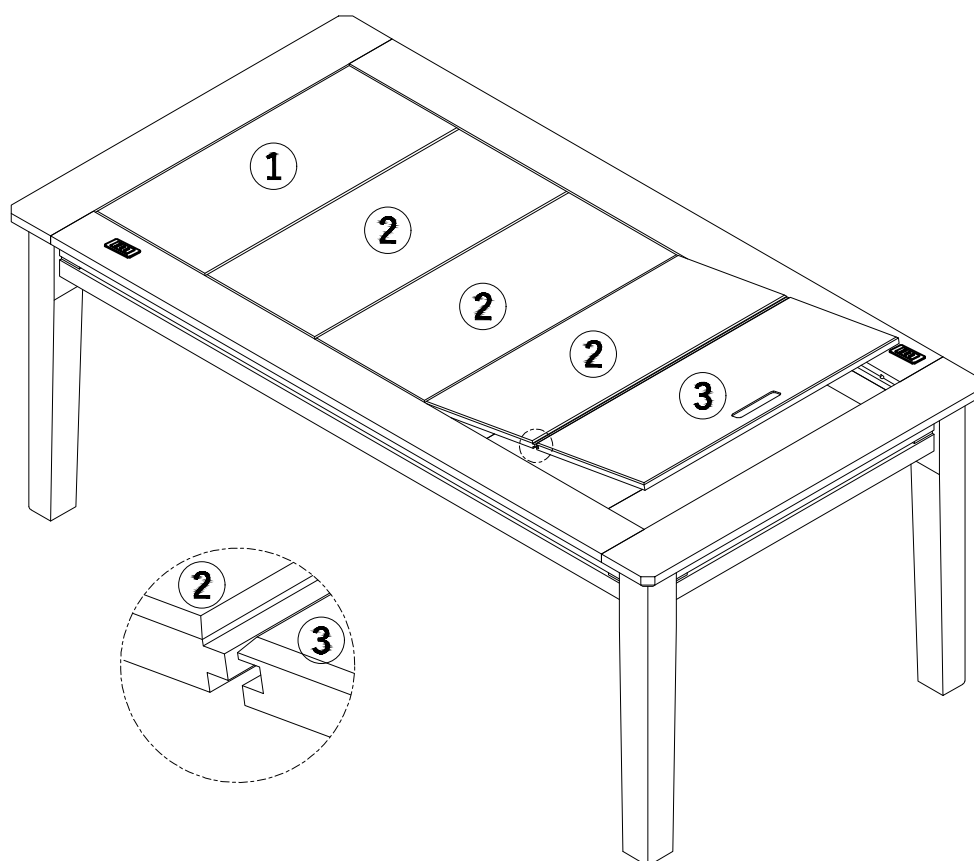
# INSTALLATION STEPS

---

## STEP 11



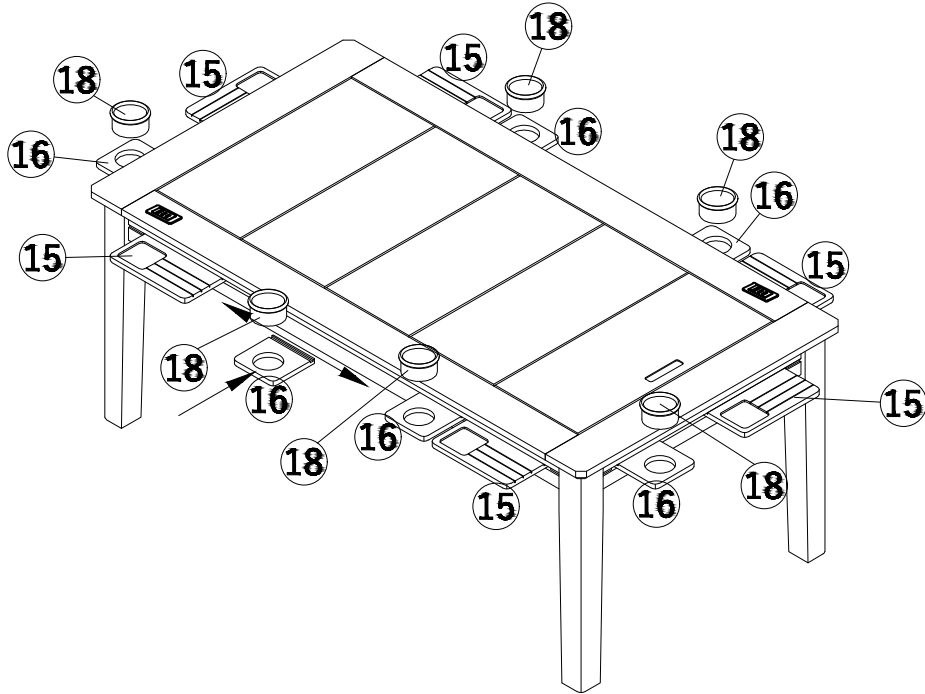
## STEP 12



# INSTALLATION STEPS

---

## STEP13



## STEP14

