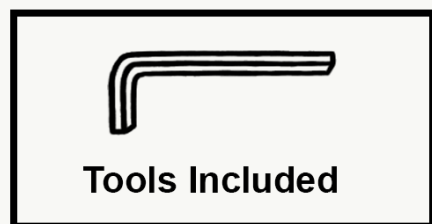
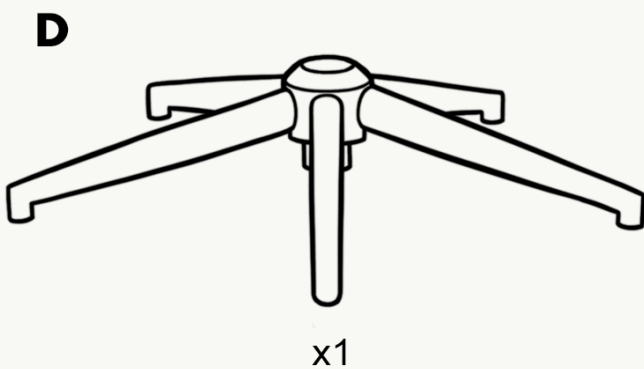
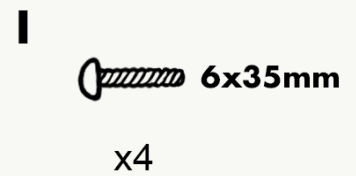
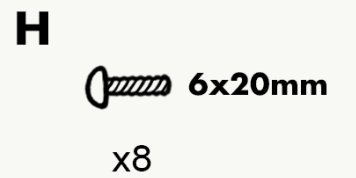
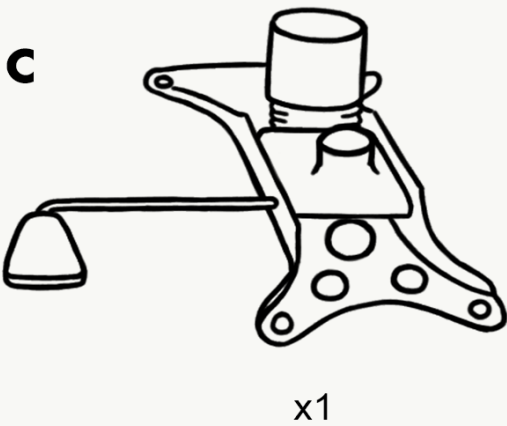
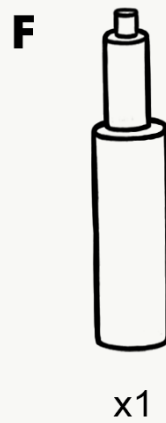
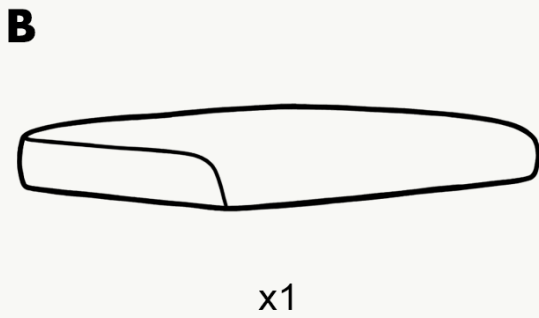
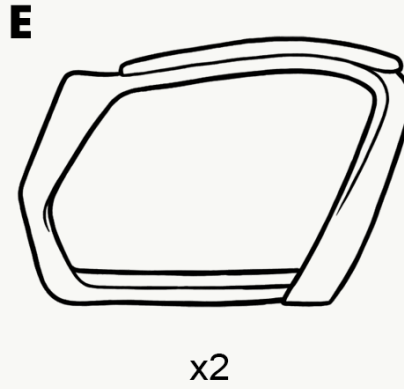
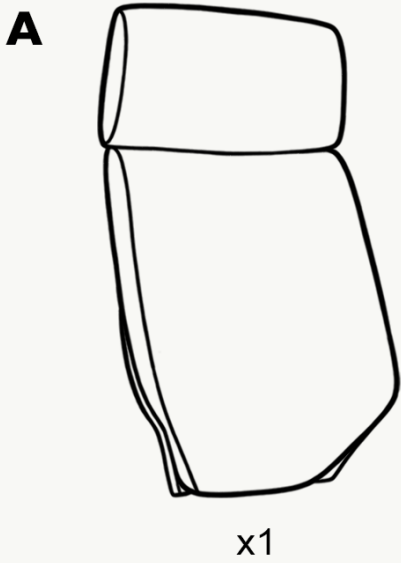


# INSTRUCTION MANUAL



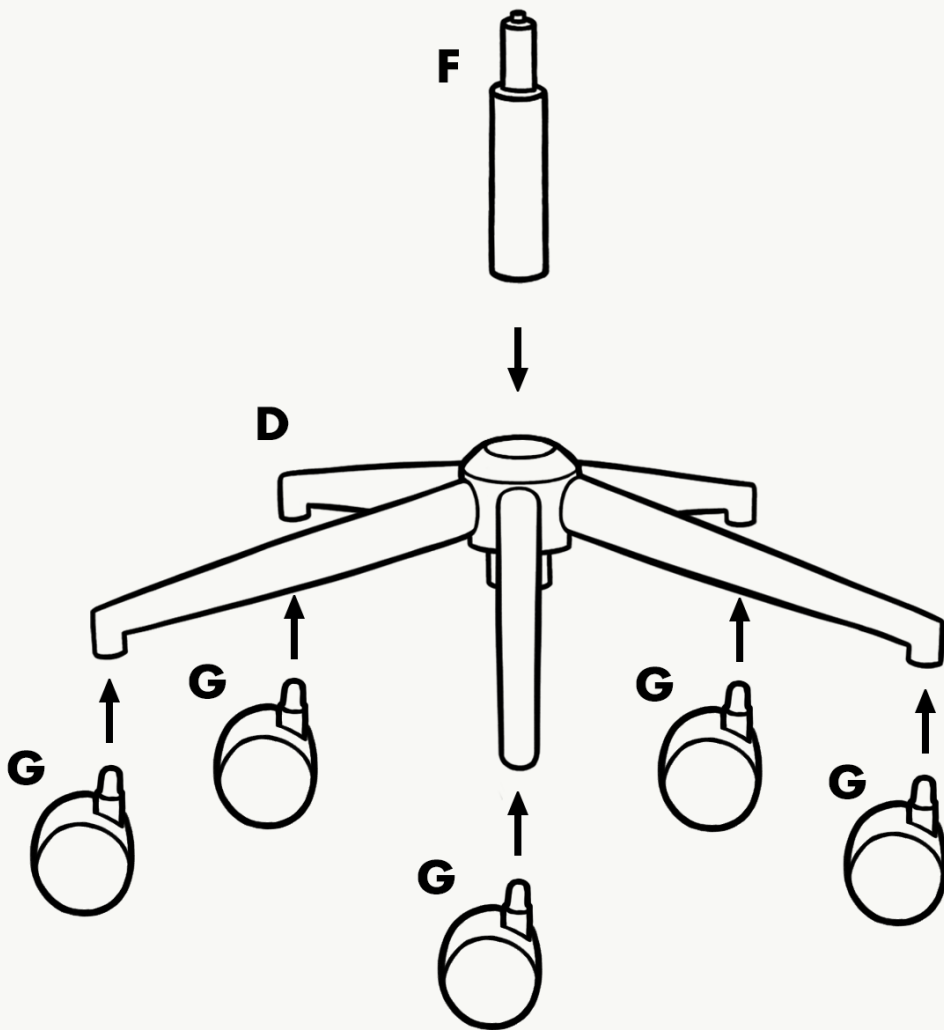
# Instructions side 1

2 people recommended  
for assembly



**1**

**Insert gas lift (F) into star base (D). Pop wheels (G) into sockets in D**

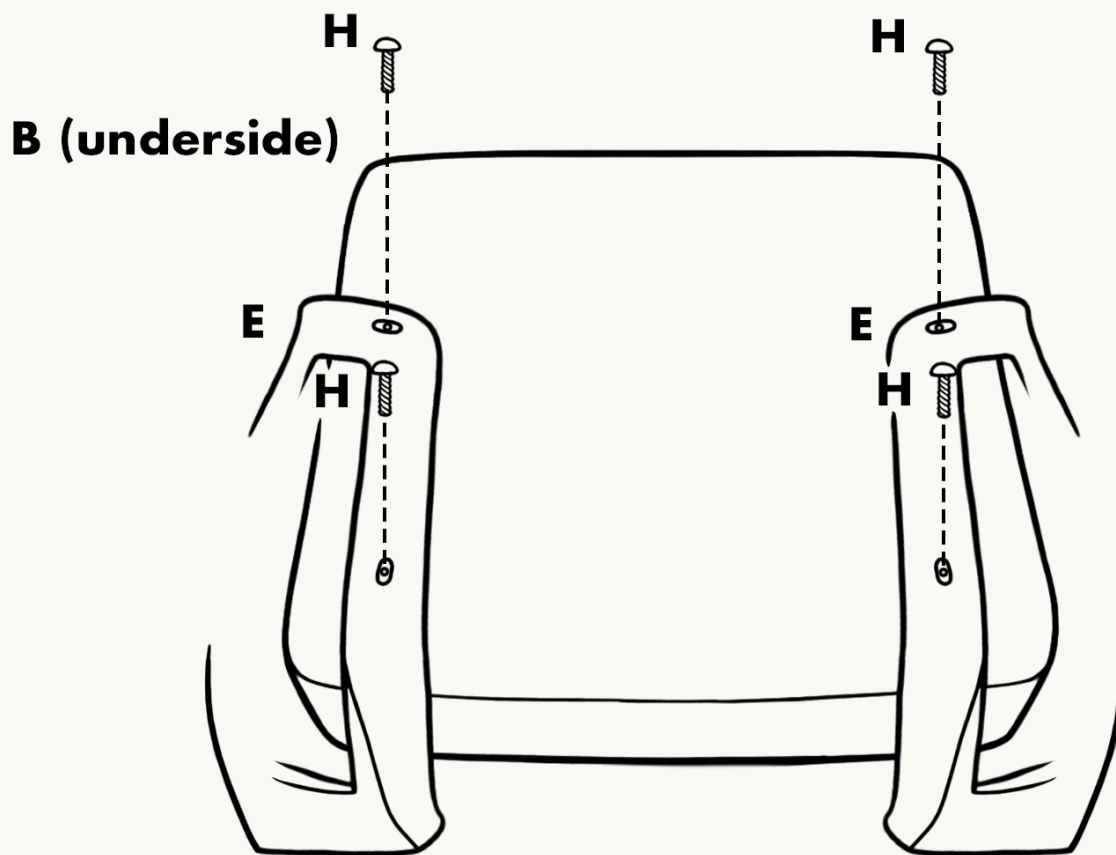


**Parts needed in step 1:**

<b>Star base (D)</b>	x1
<b>Gas lift (F)</b>	x1
<b>Wheels (G)</b>	x5

## Instructions side 2

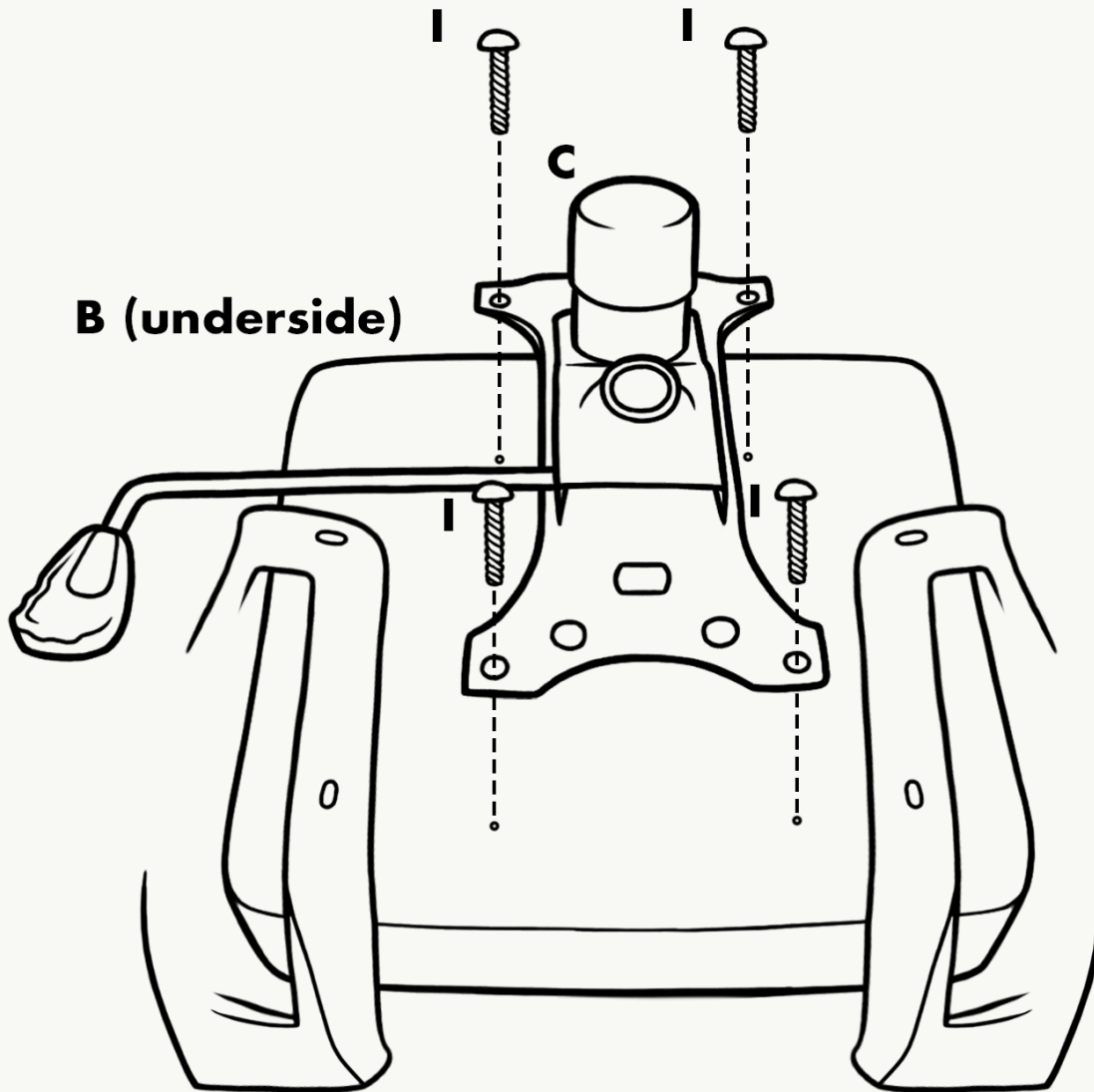
- 2** Screw armrests (E) onto bottom of seat (B)



### Parts needed in step 2:

Chair seat (B)	x1
Armrests (E)	x1
Screws (H)	x4

**3** Screw metal plate (C) onto bottom of seat (B)

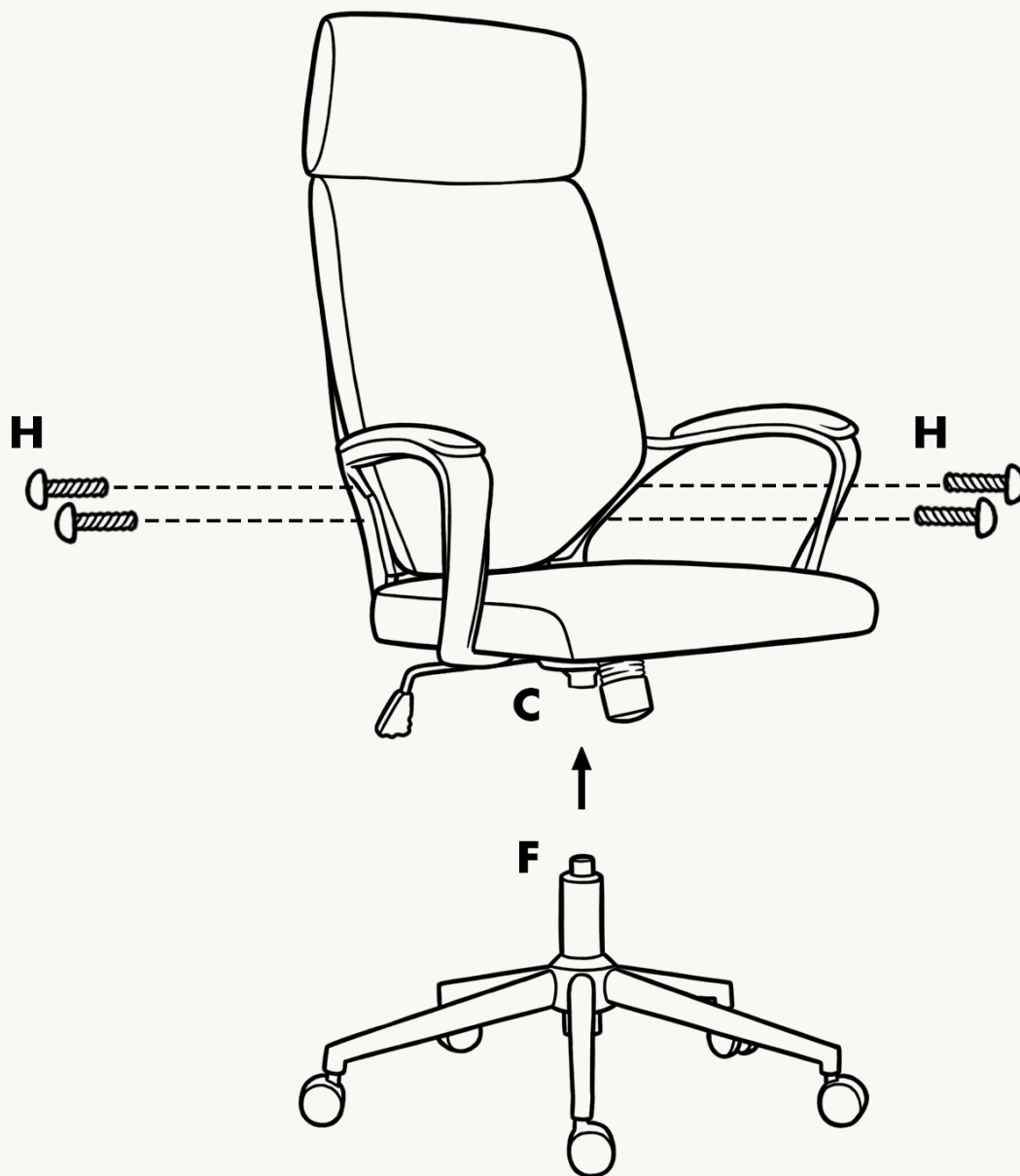


**Parts needed in step 3:**

<b>Completed step 2</b>	x1
<b>Metal plate (C)</b>	x1
<b>Screws (I)</b>	x4

## Instructions side 3

- 4** Screw chair back (A) onto armrests (E). Then insert top of gas lift (F) into hole in metal plate (C)



### Parts needed in step 4:

Completed step 1	x1
Completed step 3	x1
Screws	x4



### **Tilt function**

Pull the lever out and lean back

### **Height adjustment**

To raise and lower the seat, lift the lever.



**Note:** screws may loosen over time and so should be tightened every 3–6 months.

### **Dimensions** ( $\pm 3\text{cm}$ )

Back height: 71cm

Back width: 44cm

Seat width: 47cm

Seat depth: 46cm

Seat height: 43~52cm

Armrest height: 62~71cm

Armrest length: 46cm

Weight limit: 120kg