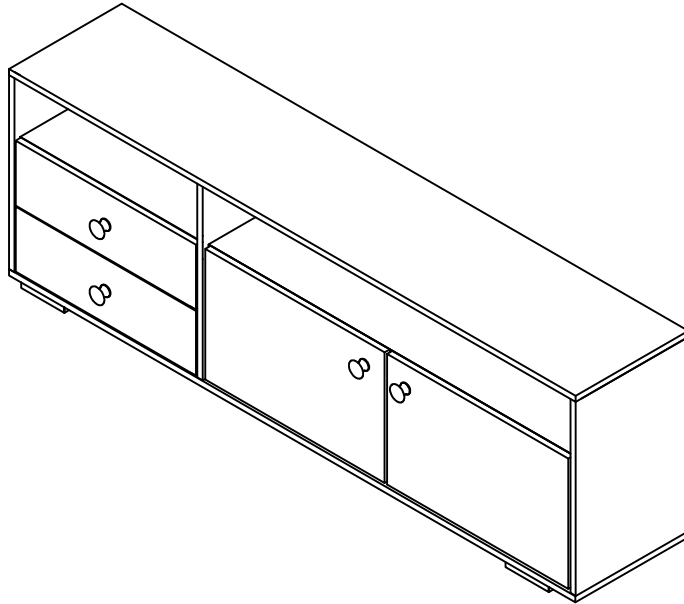


Assembly Instructions



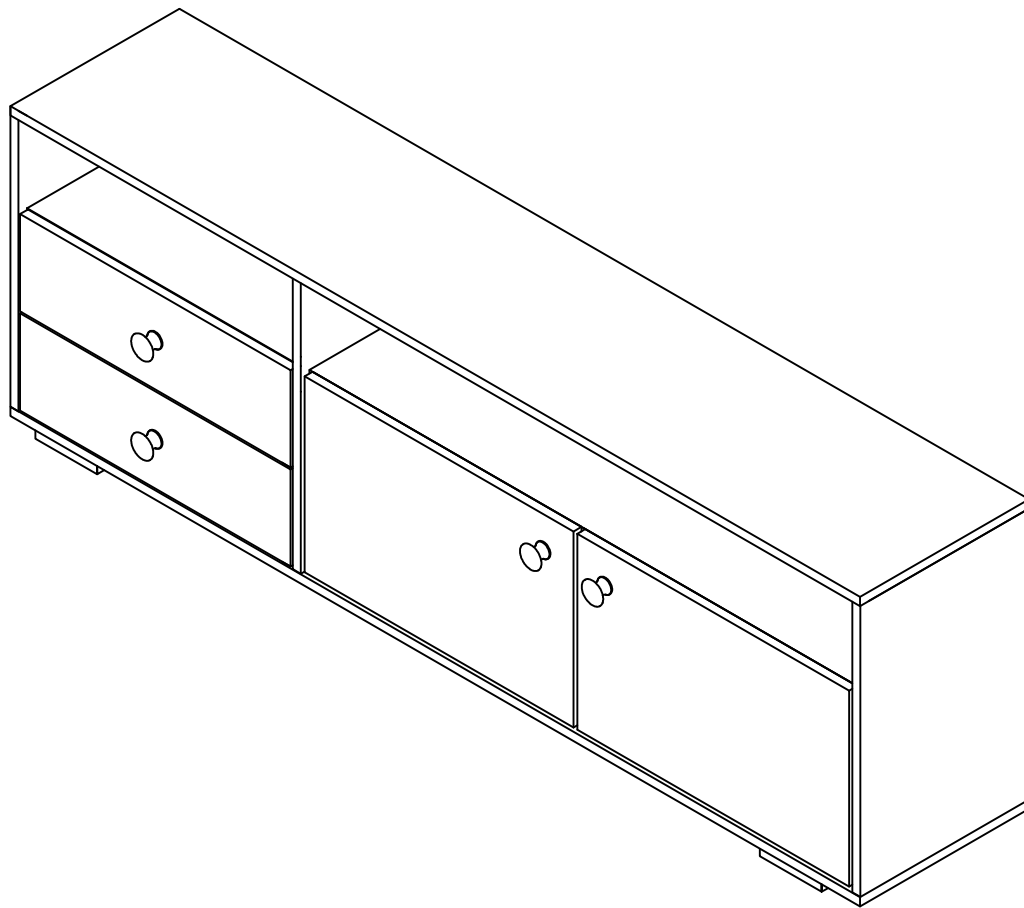
Thank you for your purchase.

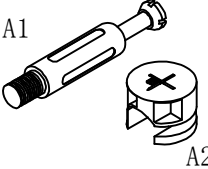
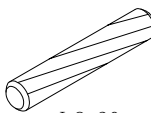
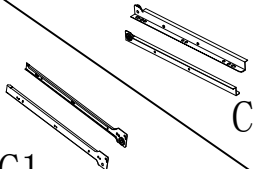


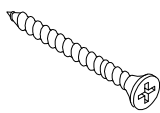
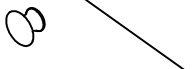

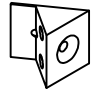

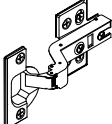
Please follow the instructions below for correct assembly.

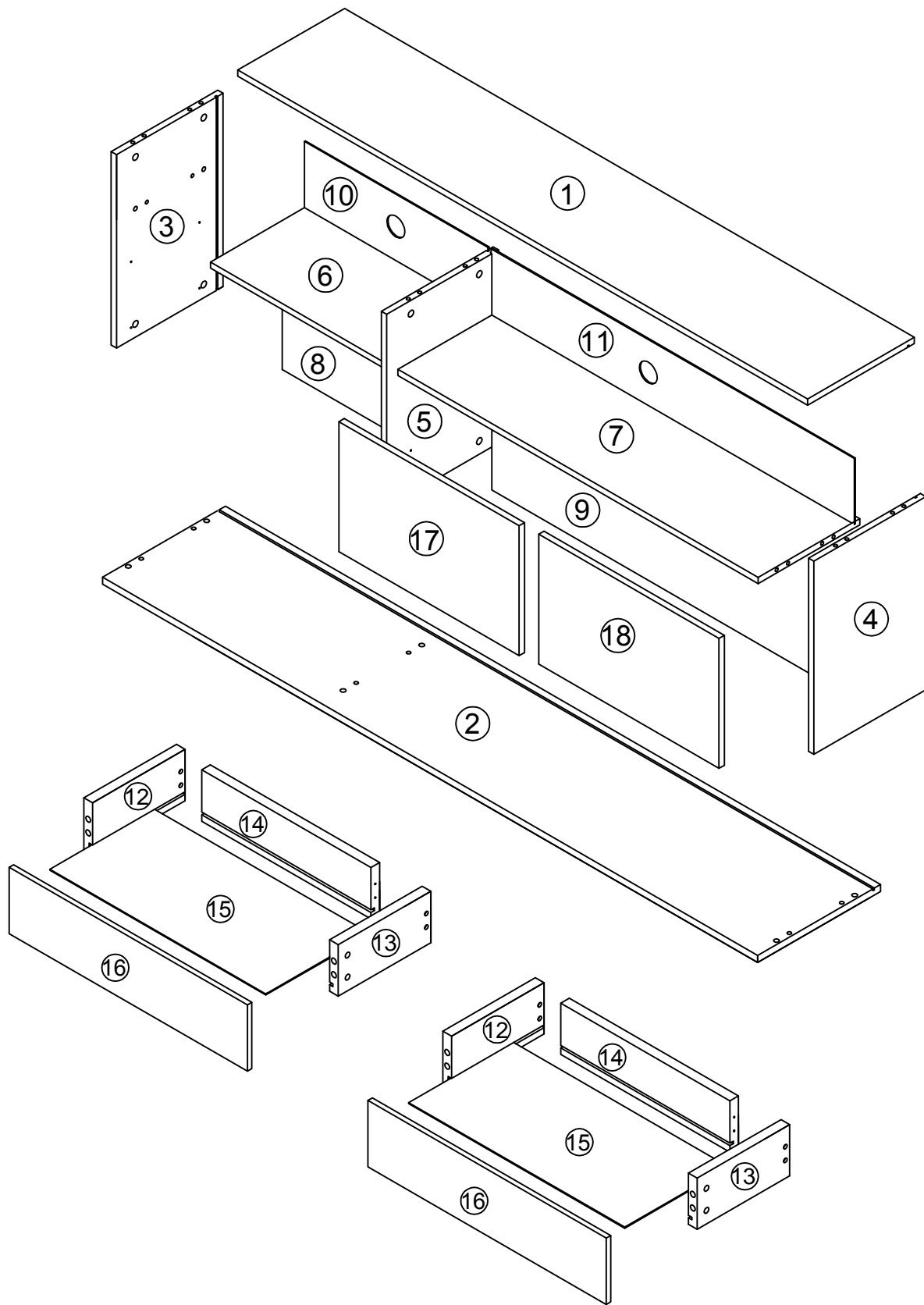
▲ For higher efficiency, we recommend to use a power drill; the power drill should be set on the low speed to avoid screw stripping.

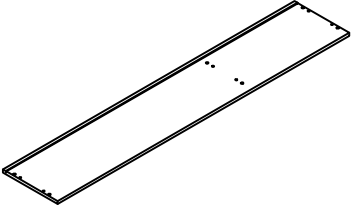
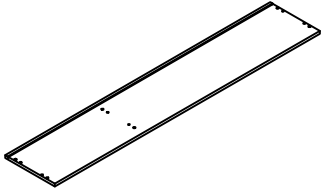
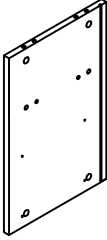
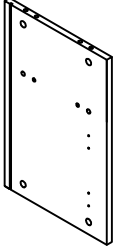
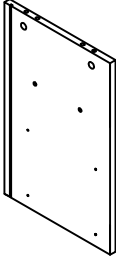
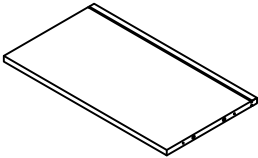
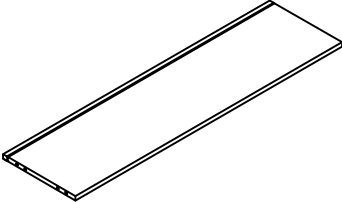
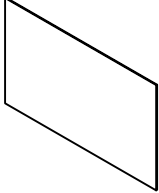
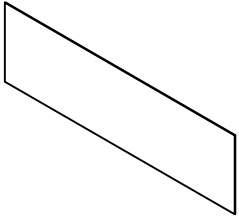
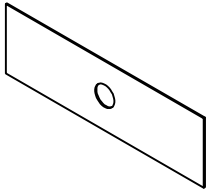
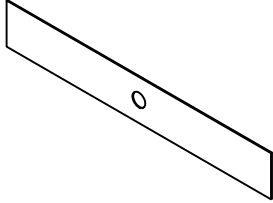
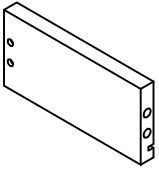
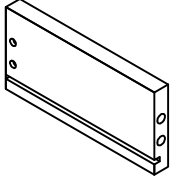
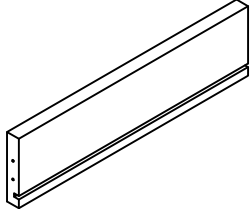
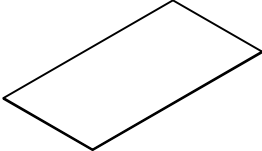
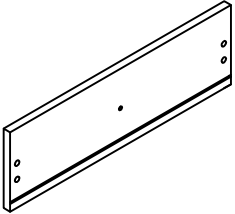
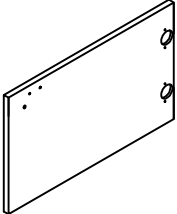
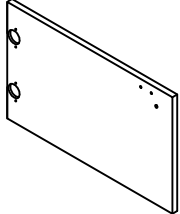
CAUTION

This package contains small parts and hardware; keep it from children to avoid accidental swallowing.

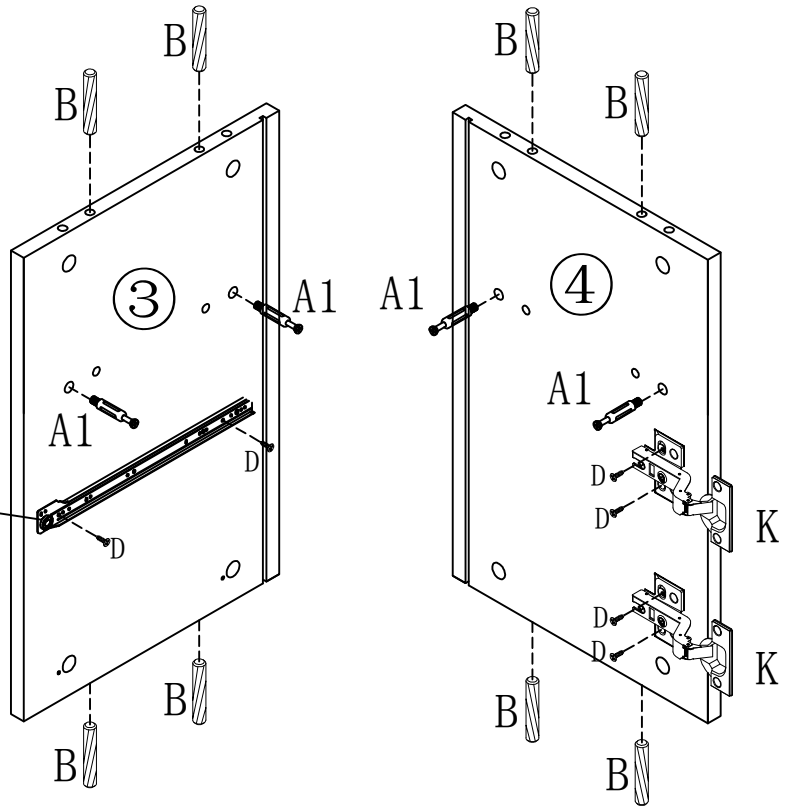
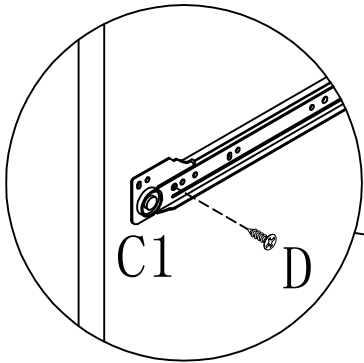



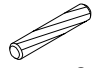


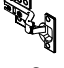
 <p>A1 A2</p>	 <p>$\Phi 8*30$</p>	 <p>C1 C2</p>	 <p>$\Phi 3.5*14$</p>	 <p>$\Phi 3*14$</p>
<p>A × 26</p>	<p>B × 20</p>	<p>C × 2</p>	<p>D × 42</p>	<p>E × 8</p>
 <p>$\Phi 3.5*40$</p>	 <p>G1 G2 $\Phi 4*18$</p>	 <p>H1 H2</p>		 <p>$\Phi 20$</p>
<p>F × 10</p>	<p>G × 4</p>	<p>H × 2</p>	<p>I × 10</p>	<p>J × 26</p>
				
<p>K × 4</p>				



<p>①</p>  <p>1600*300*15</p>	<p>②</p>  <p>1600*300*15</p>	<p>③</p>  <p>470*299*15</p>	<p>④</p>  <p>470*299*15</p>
1 PC	1 PC	1 PC	1 PC
<p>⑤</p>  <p>470*299*15</p>	<p>⑥</p>  <p>510*281*15</p>	<p>⑦</p>  <p>1043*281*15</p>	<p>⑧</p>  <p>312*517*3</p>
1 PC	1 PC	1 PC	1 PC
<p>⑨</p>  <p>312*1050*3</p>	<p>⑩</p>  <p>157*517*3</p>	<p>⑪</p>  <p>157*1050*3</p>	<p>⑫</p>  <p>250*120*15</p>
1 PC	1 PC	1 PC	2 PCS
<p>⑬</p>  <p>250*120*15</p>	<p>⑭</p>  <p>457*120*15</p>	<p>⑮</p>  <p>464*242*3</p>	<p>⑯</p>  <p>504*157*15</p>
2 PCS	2 PCS	2 PCS	2 PCS
<p>⑰</p>  <p>316*517*15</p>	<p>⑱</p>  <p>316*517*15</p>		
1 PC	1 PC		

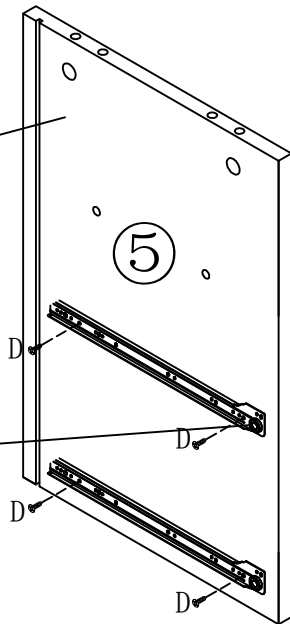
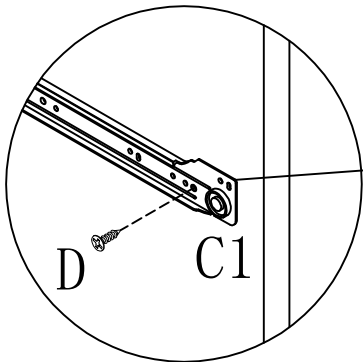
1



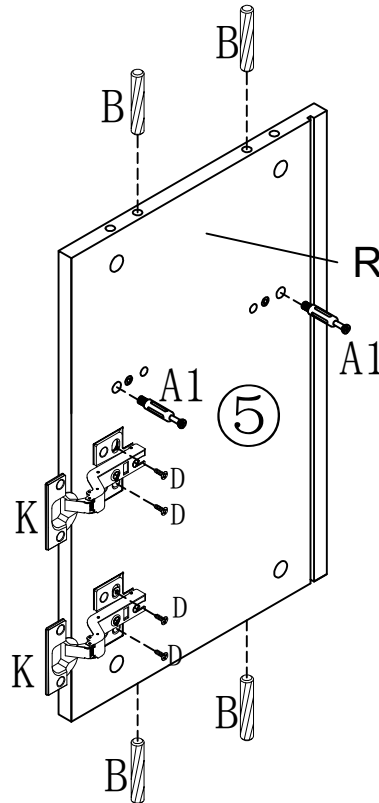
A1	B $\varnothing 8 \times 30$	C1	D $\varnothing 3.5 \times 14$	K
				
4pcs	8pcs	0.5pc	6pcs	2pcs


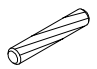


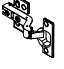
2

Left of panel ⑤

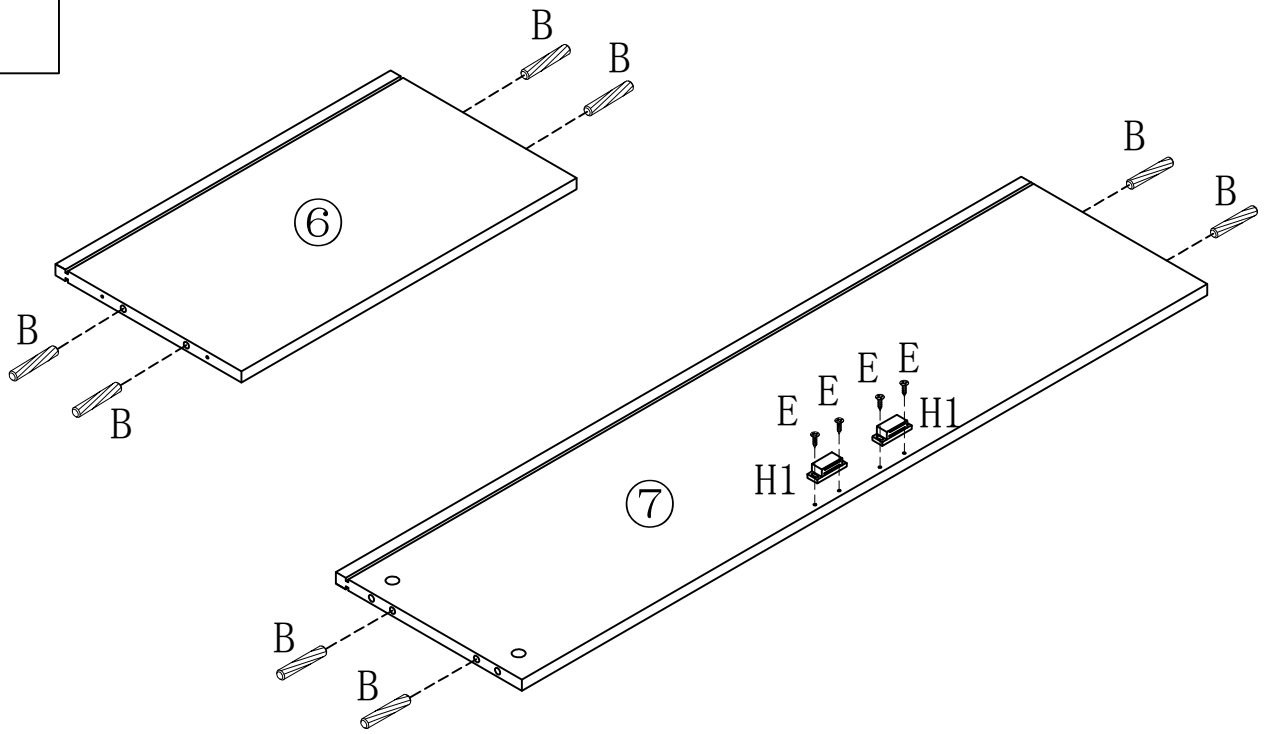


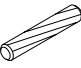


Right of panel ⑤



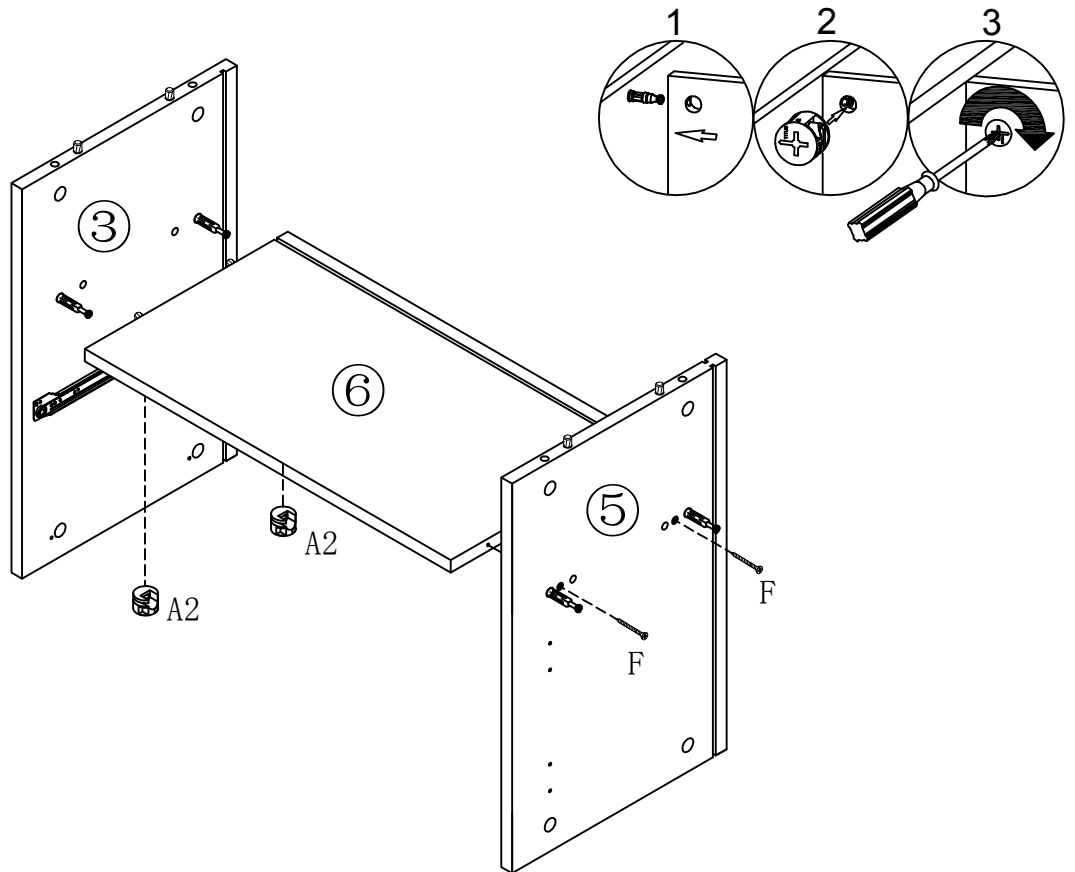
A1	B $\varnothing 8 \times 30$	C1	D $\varnothing 3.5 \times 14$	K
				
2pcs	4pcs	1pc	8pcs	2pcs



3



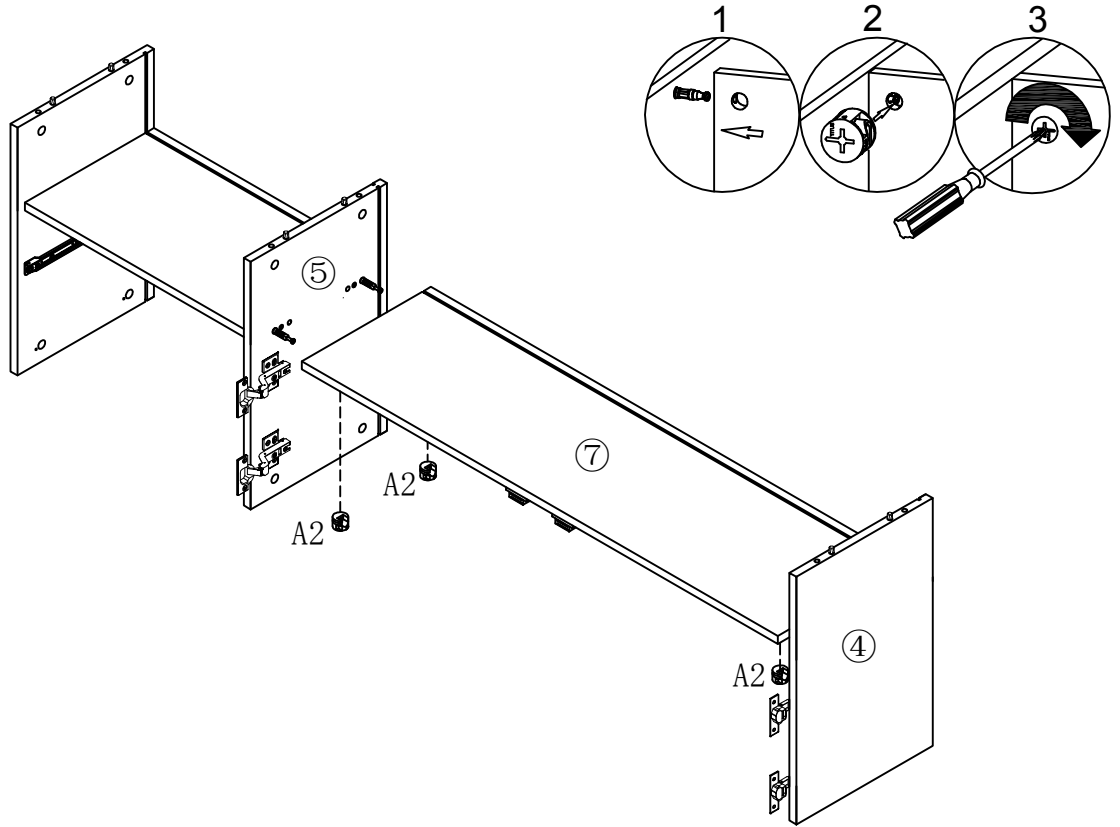
B	∅8*30	H1	E	∅3*14
				
8pcs		2pcs	4pcs	

4



A2	F	∅3.5*40
		
2pcs	2pcs	

5

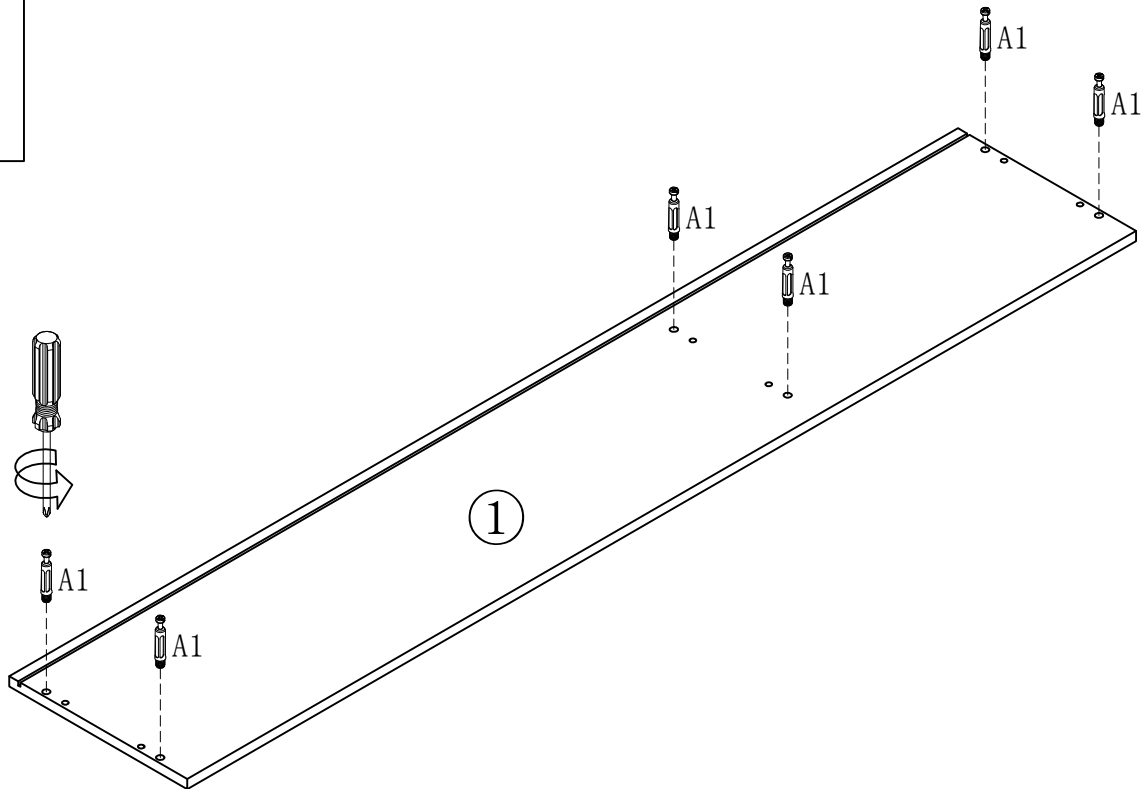


A2



4pcs

6

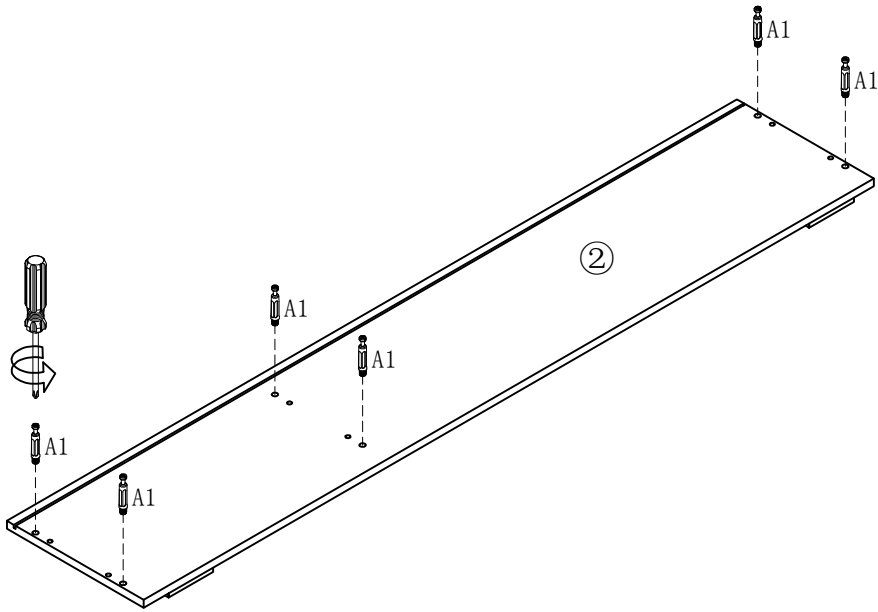


A1



6pcs

7

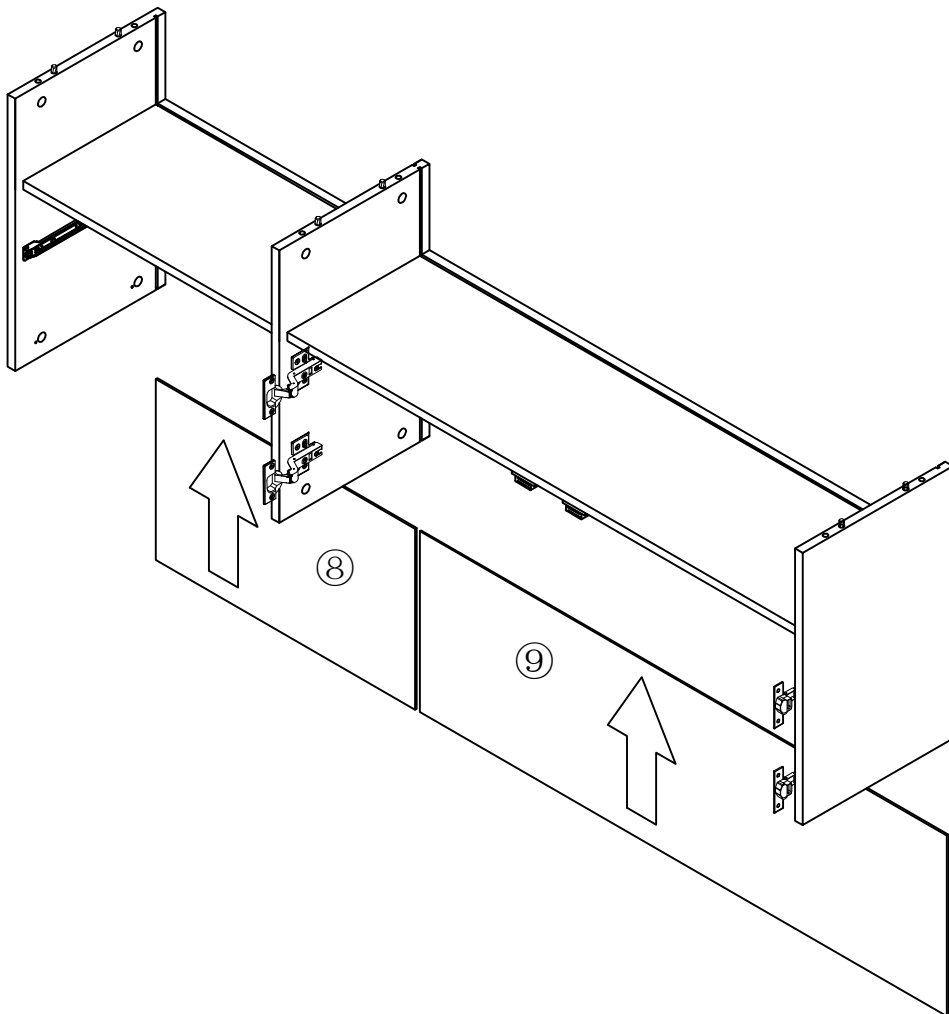


A1

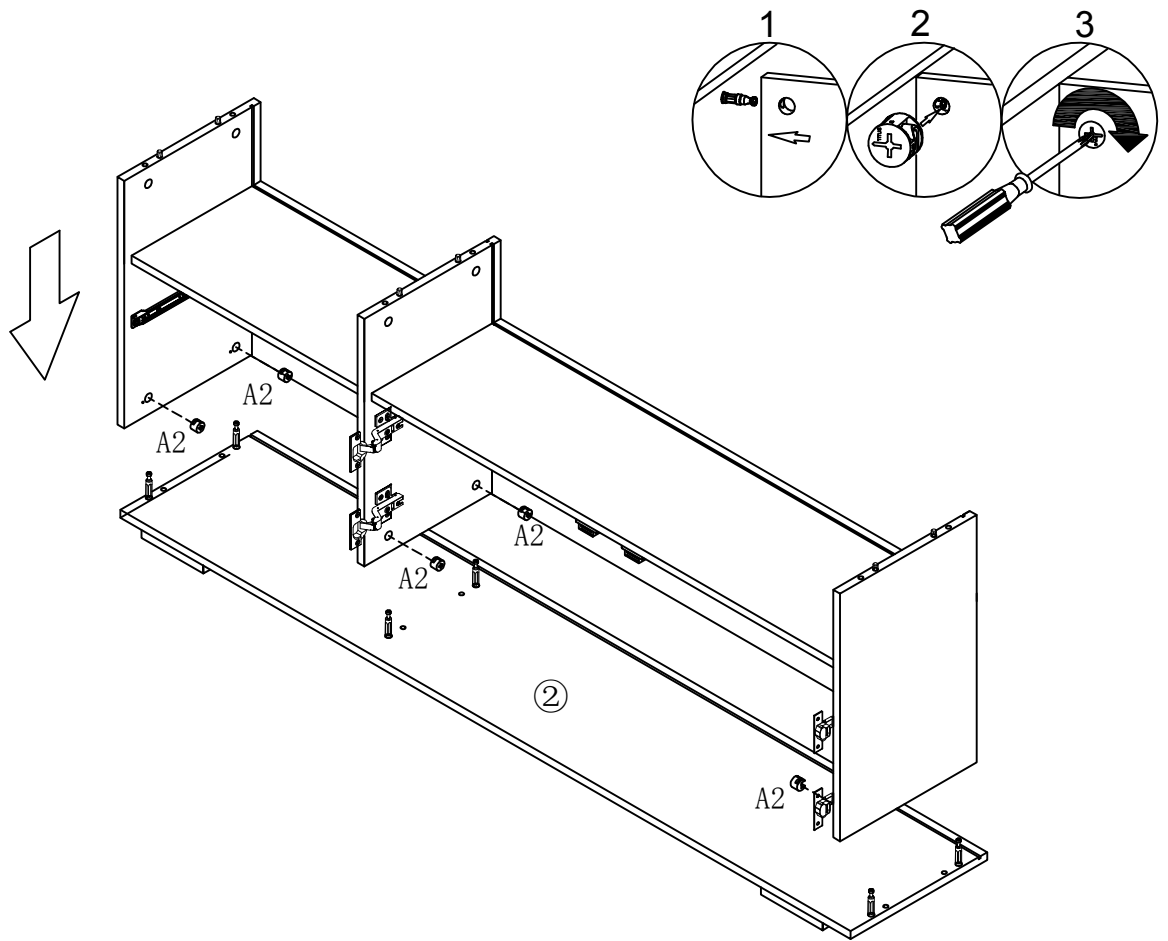


6pcs

8



9

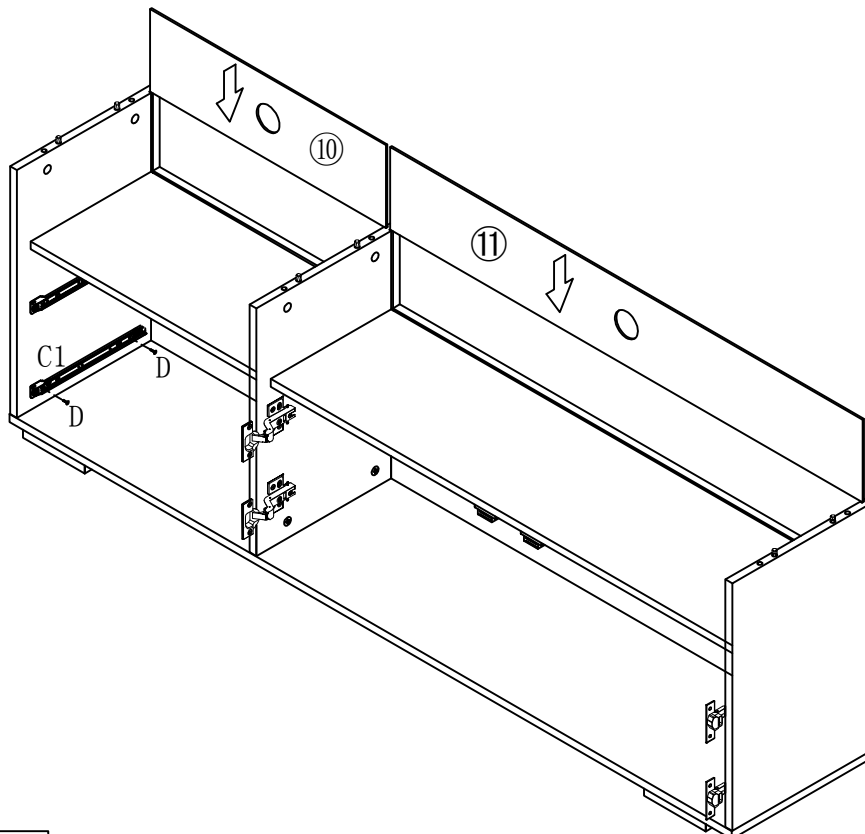


A2



6pcs

10



C1



0.5pc

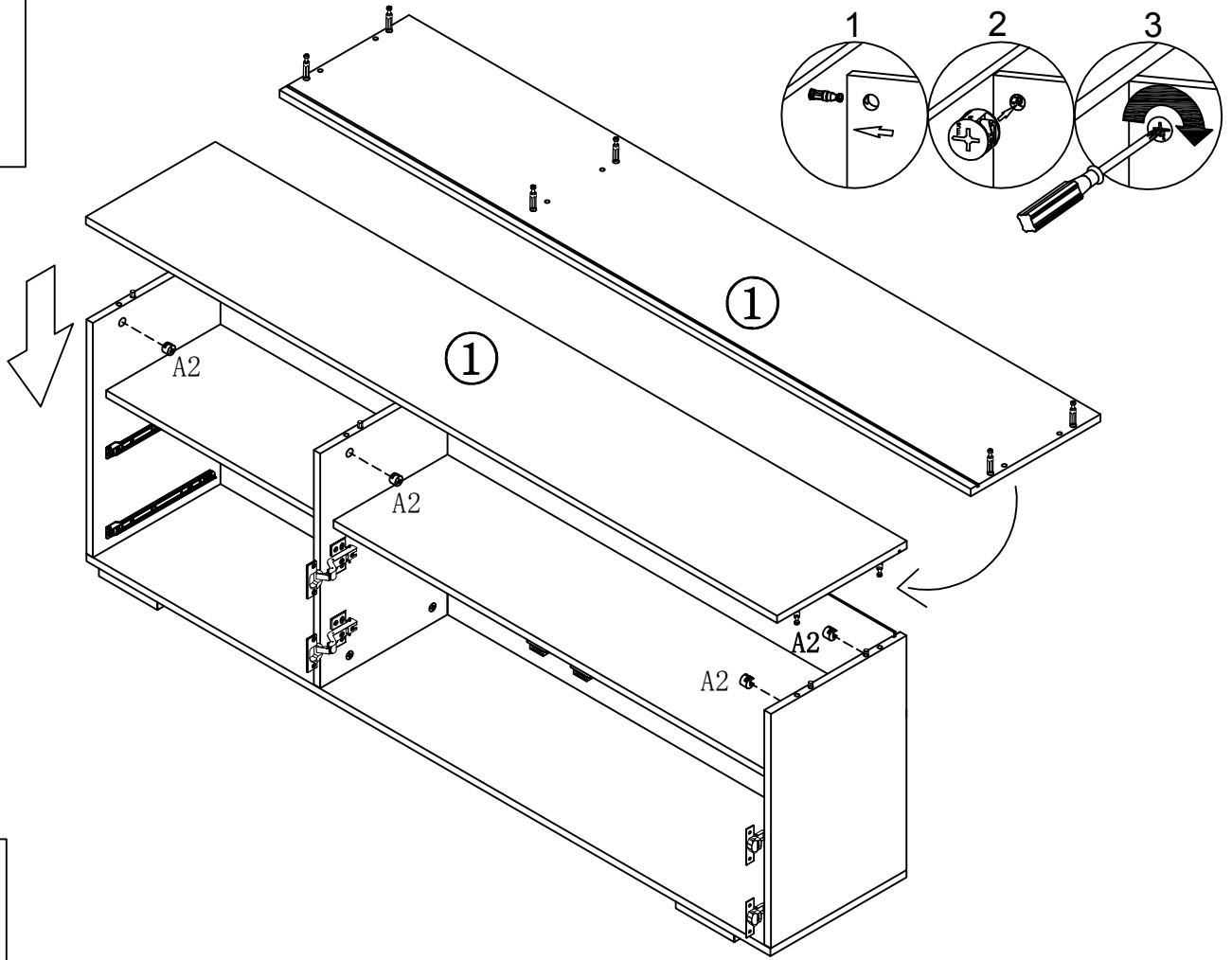
D



∅3.5*14

2pcs

11

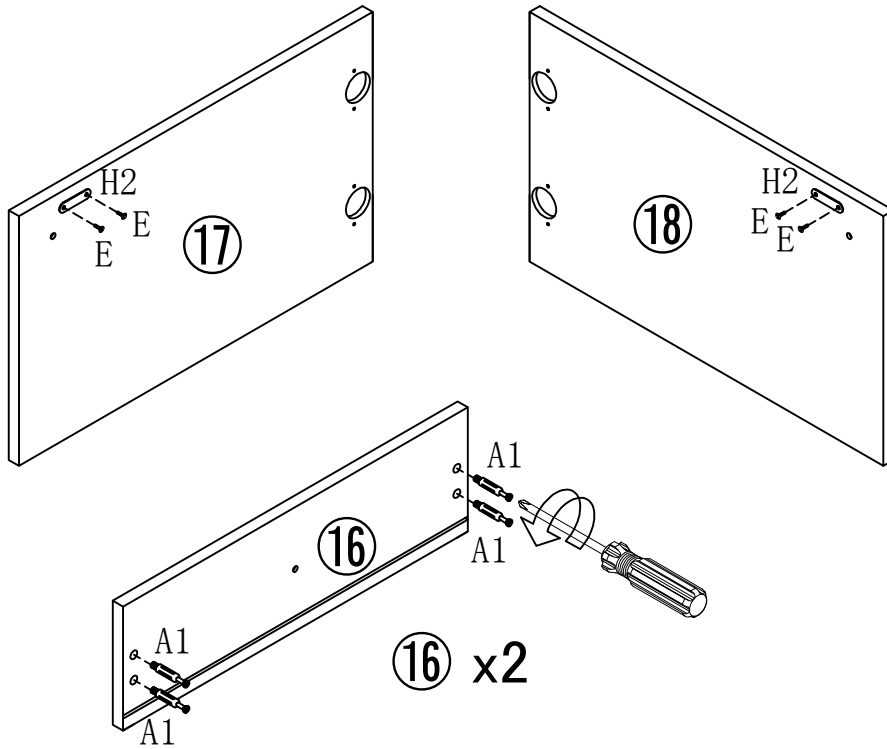


A2



6pcs

12



A1



8pcs

H2



2pcs

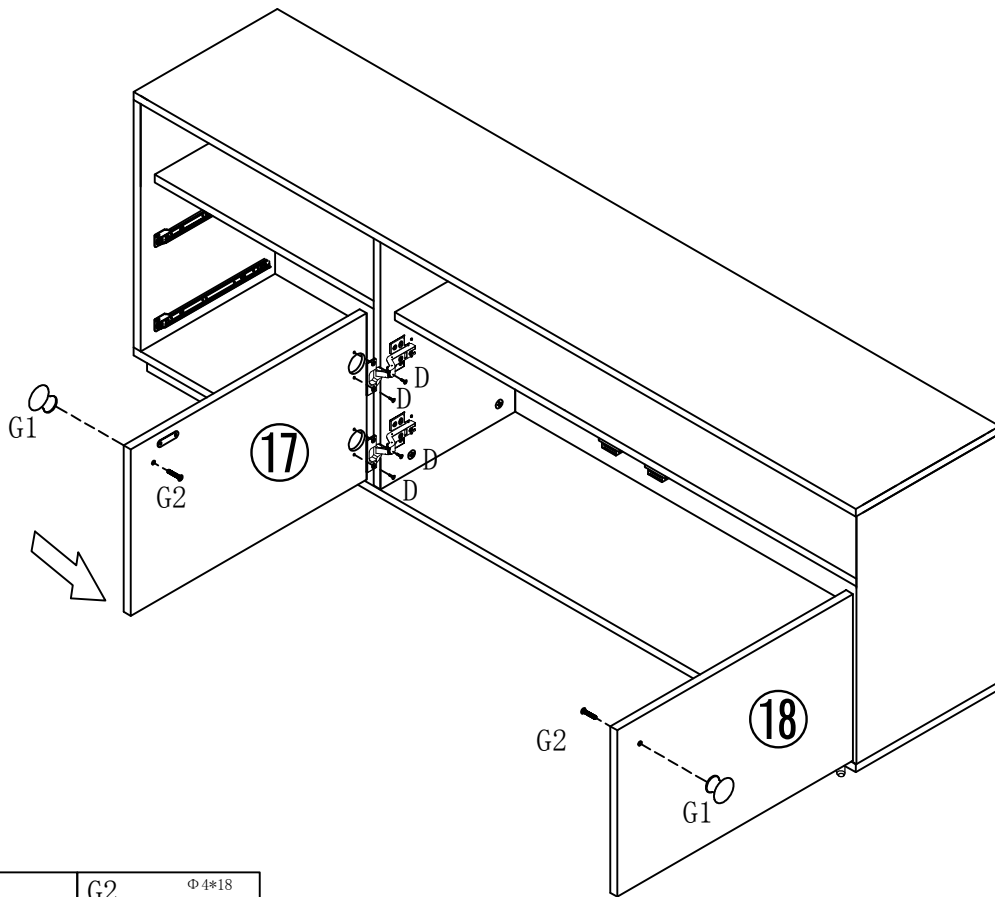
E



Φ3*14

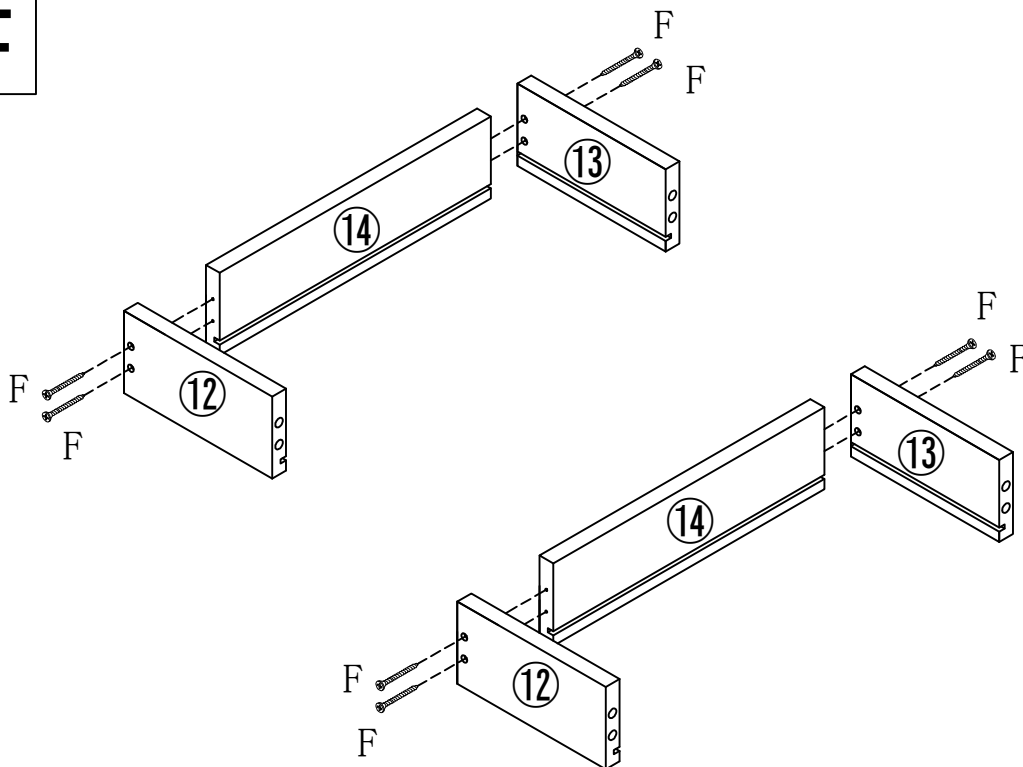
4pcs


13



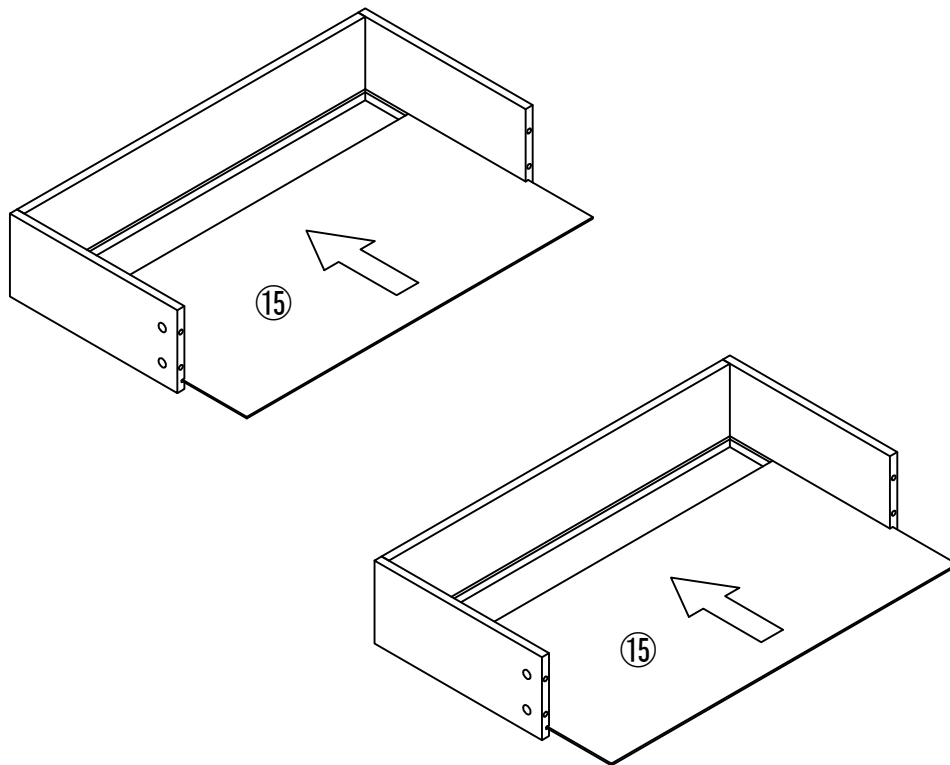
D	$\Phi 3.5 \times 14$	G1	$\Phi 4 \times 18$
			
8pcs		2pcs	2pcs

14

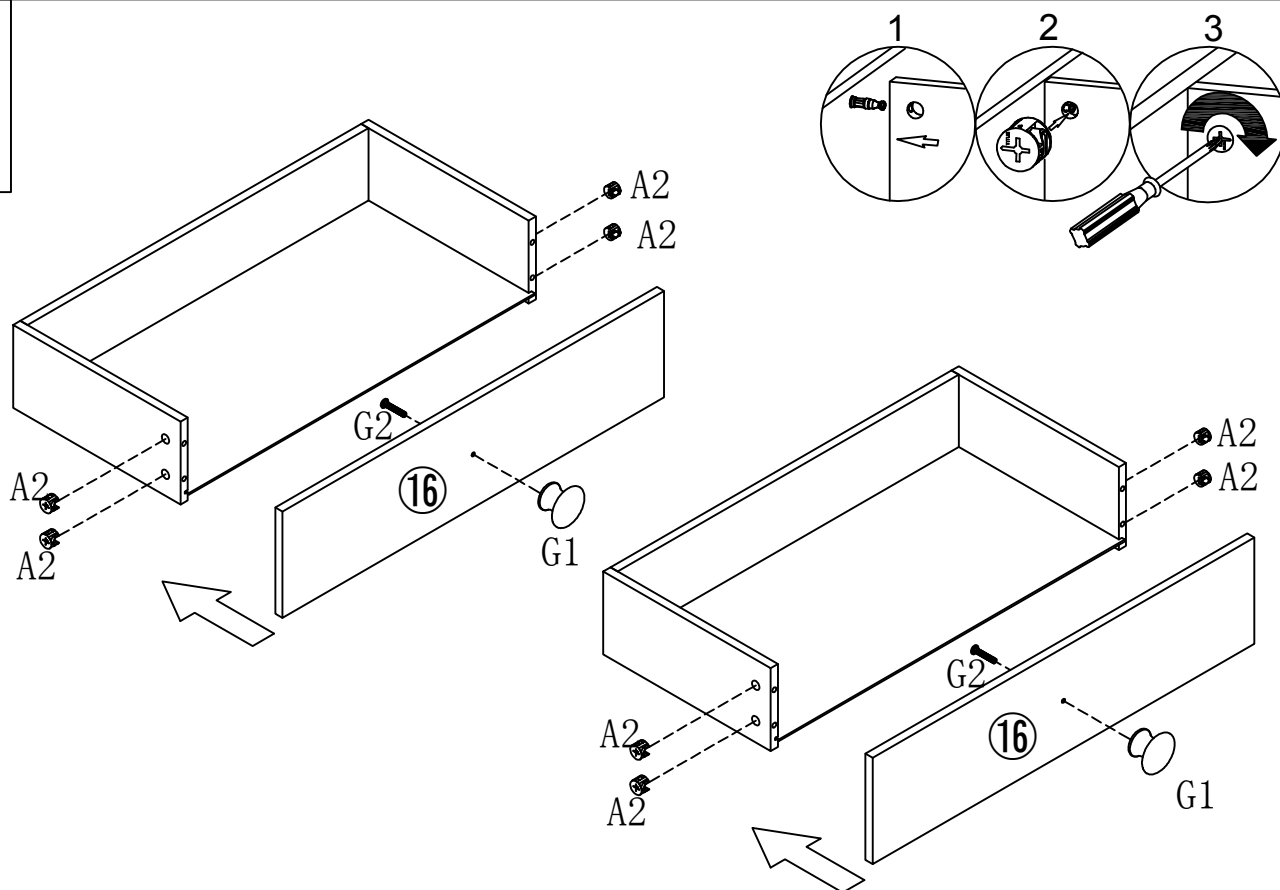




F	$\Phi 3.5 \times 40$
	
8pcs	

15

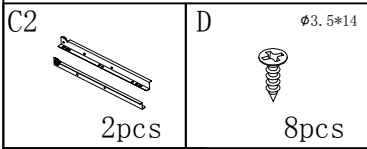
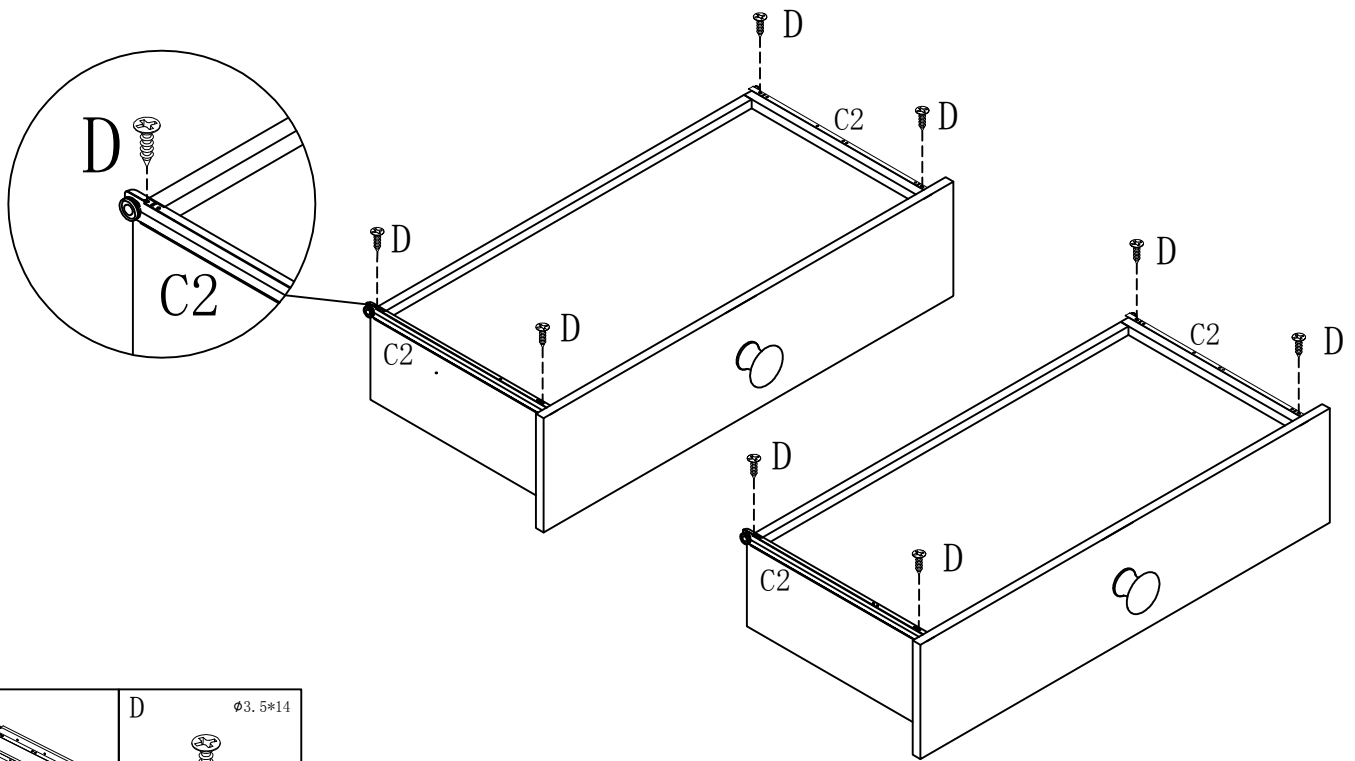


16

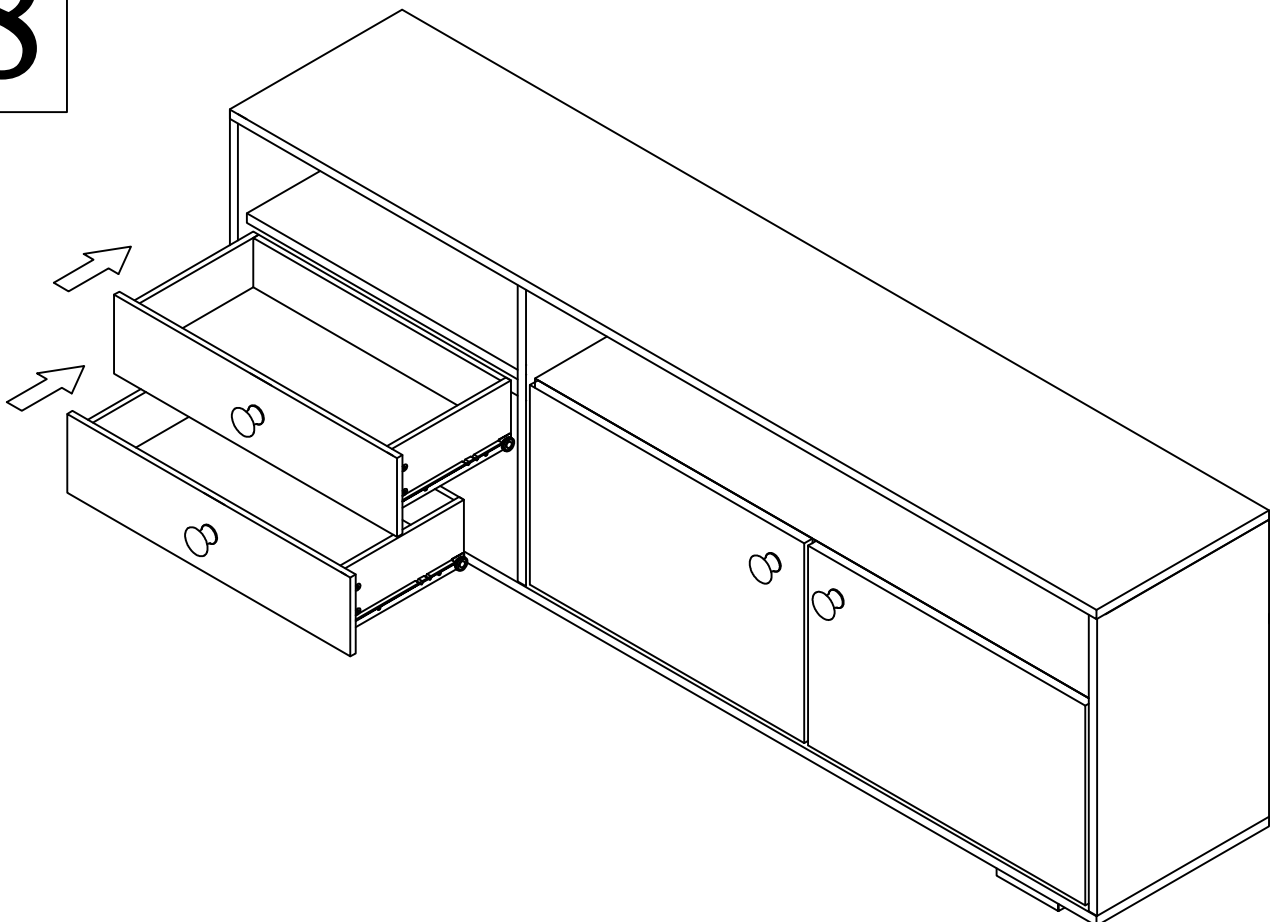


A2	G1	G2 $\Phi 4 \times 18$
		
8pcs	2pcs	2pcs

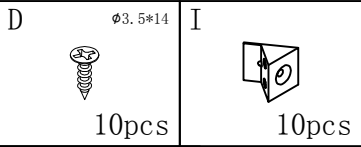
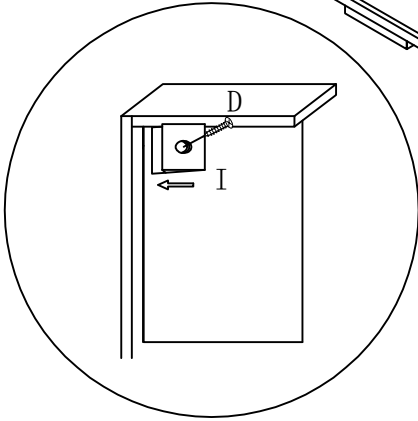
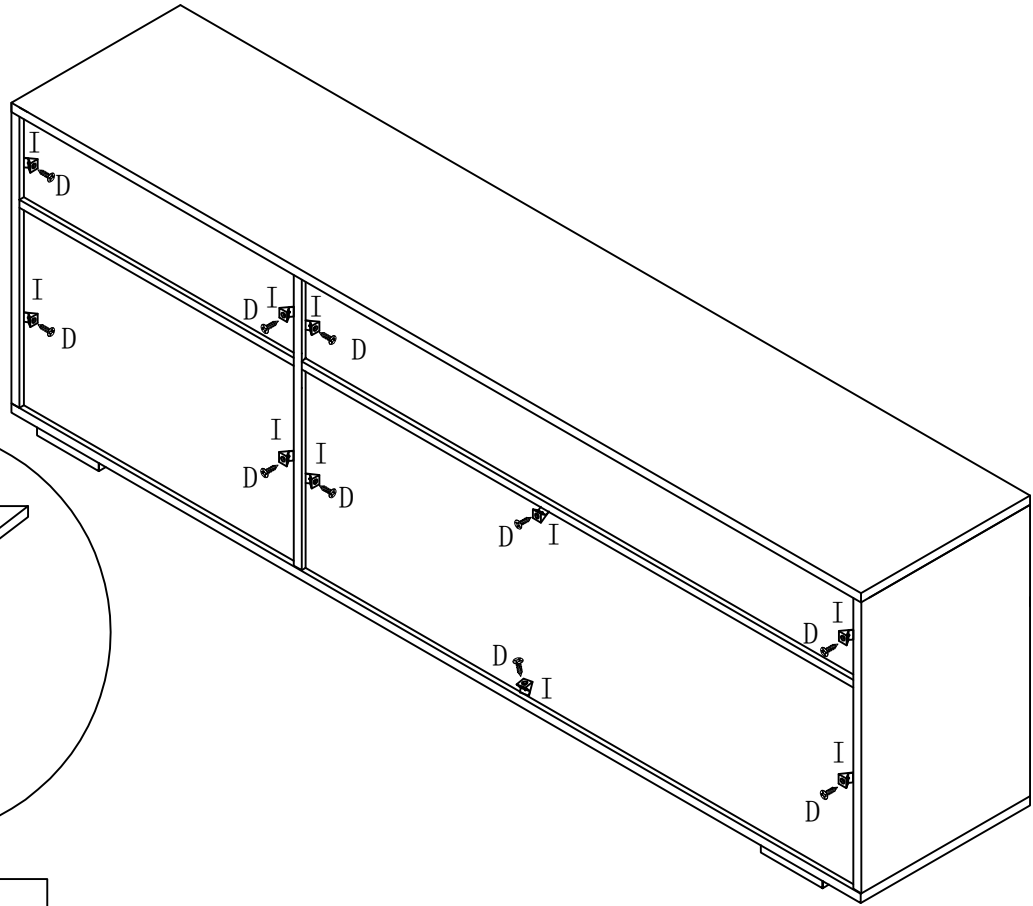
17



18



19



20

