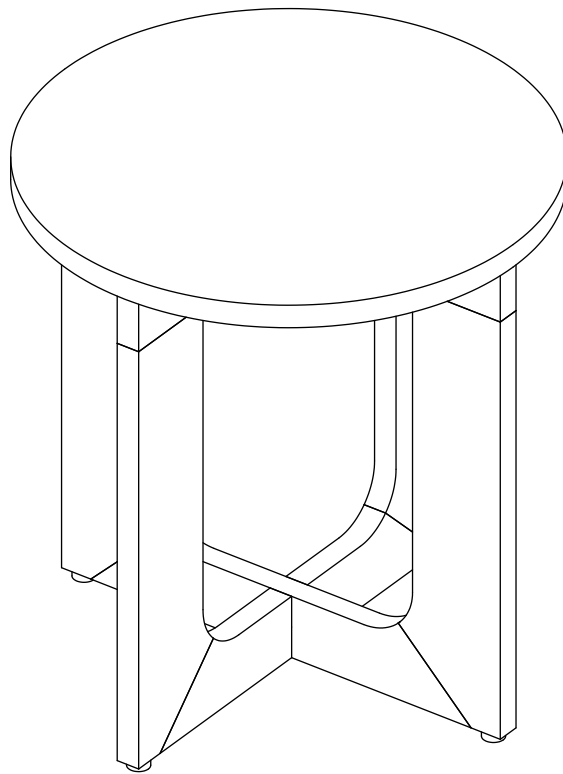


# P7O033 Assembly Manual

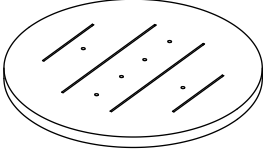
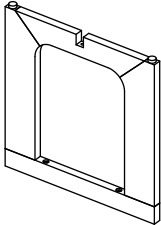
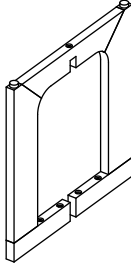
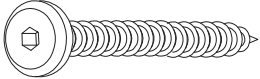
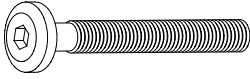

## Side Table



### CAUTION

THIS ASSEMBLY MANUAL CONTAINS IMPORTANT SAFETY INFORMATION.  
PLEASE READ AND KEEP FOR FUTURE REFERENCE.

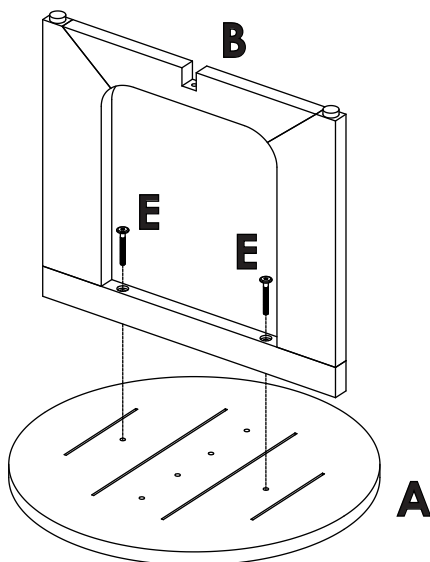
---

<p>A x 1</p>  <p>Table Top</p>	<p>B x 1</p>  <p>Leg Frame 1</p>	<p>C x 1</p>  <p>Leg Frame 2</p>
<p>D x 1</p>  <p>Screw M6x2''</p>	<p>E x 6</p>  <p>Bolt M6x2-3/8''</p>	<p>F x 1</p>  <p>Allen Wrench</p>

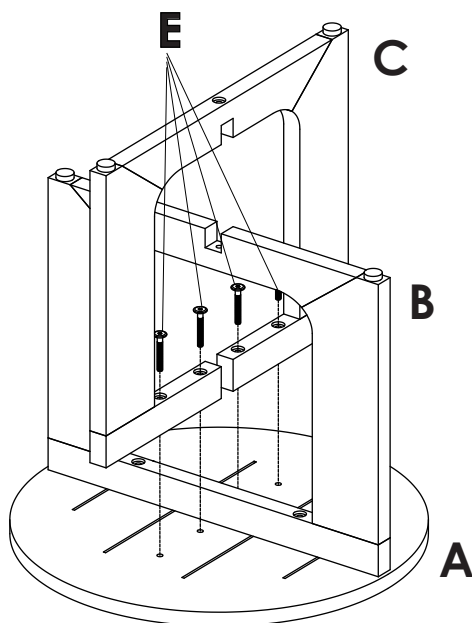
**Before you begin:**

1. Check if you have received all parts using the diagram on this page. Do not start the assembly process until all parts are present. If you have not received all parts or received wrong or damaged ones, please contact our customer service and we will get back to you.
2. Do not discard any of the packaging until you are certain that you have all the necessary parts for the assembly.
3. Do NOT use power tools for assembly.

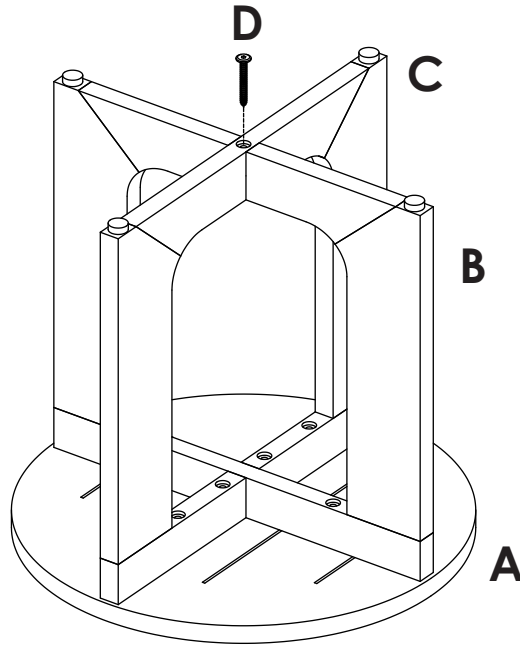
- 1 Use an Allen Wrench (F) to tighten the Bolt (E) on the Leg Frame 1 (B) of the Table Top (A). Do not fully tighten them yet.



- 2 Use an Allen Wrench (F) to tighten the Bolt (E) on the Leg Frame 2 (C) of the Table Top (A). Do not fully tighten them yet.



- 3 Use an Allen Wrench (F) to tighten the Screw (D) on the Leg Frame 2 (C) of the Leg Frame 1 (D). **Once level, tighten all screws.**



- 4 Assembly complete. Enjoy.

