

CARE AND MAINTENANCE

Store outdoor furniture indoors or cover well when not in use.










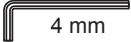
Remove wooden furniture from standing water. Dust regularly with small brush or vacuum

Spills should be taken care of immediately before they harden or stain with a slightly dampened sponge.

NOTICE

- * Please make sure that you have all parts indicated before you begin assembly of this item
- * This item should be assembled on a soft surface to prevent scratching the finish during assembly
- * This item may require periodic tightening

Part List and Hardware List

PIECE	DESCRIPTION	PICTURE	QUANTITY
A	Top table		1X
B	Long leg		2X
C	Short leg		2X
D	Connection leg		1X
E	Tie legs -1		2X
F	Tie legs -2		1X
G	Screw	 M7x70	6X
H	Bolt	 M8x35 M8x15	8X
K	Whether lid		1X
L	Allen key	 4 mm	

Product Dimensions: 35.4" W x 35.4" D x 29.5" H



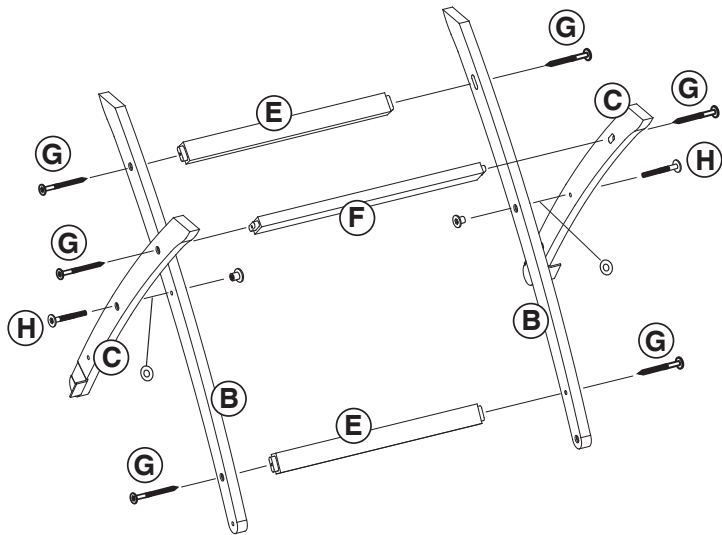
PREPARATION

Before beginning assembly of product, make sure all parts are present. Compare parts with package contents list and hardware contents list. If any part is missing or damaged, do not attempt to assemble the product.

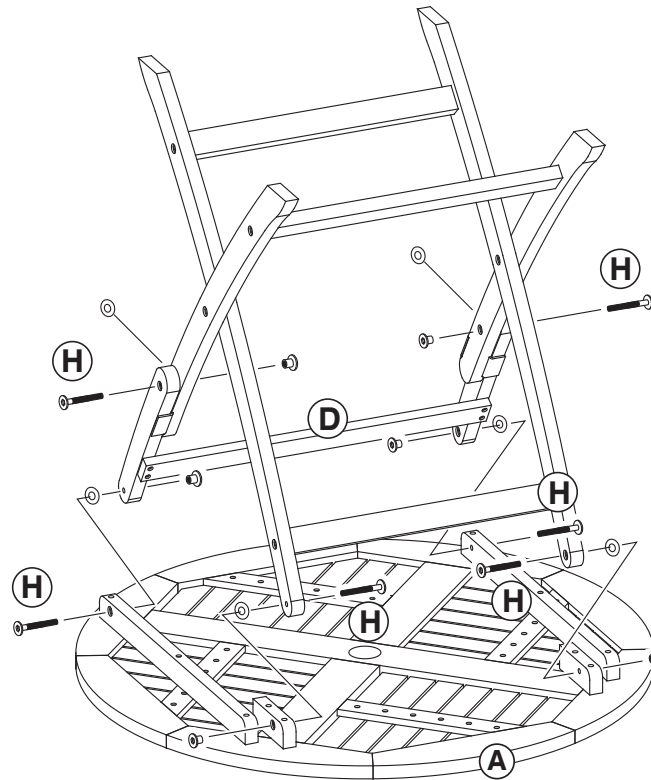
Estimated Assembly Time: 30 minutes.

Tools Required for Assembly (included): Allen Key

1



2



3



Step 1

Attach short leg (C), long leg (B) to (E), (F) by using bolt (H) and screw (G), tighten with allen (L)

Step 2

Attach connection leg (D) to short leg (C), by using bolt (H), tighten with allen (L)

Attach short leg (C), long leg (B) to top table (A) by using bolt (H), tighten with allen (L)

Step 3

(K) Pull down as the arrow