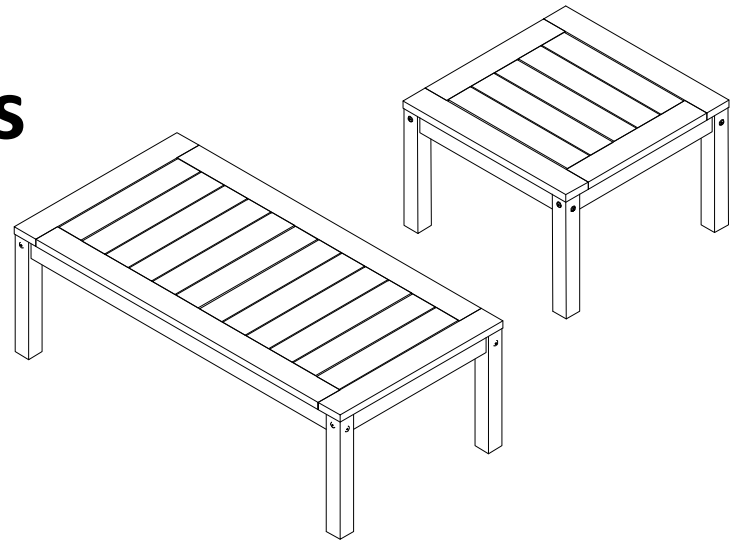


Adirondack Collection

Deep Seating Tables

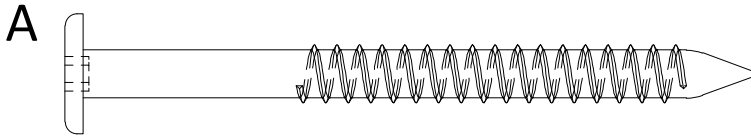
Assembly Guide



IMPORTANT!

DO NOT fully tighten the bolts until all bolts are started. Once all bolts are inserted, go back & tighten all the bolts.

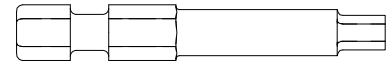
HARDWARE INCLUDED



3-1/2" LAG BOLT

Qty: 8

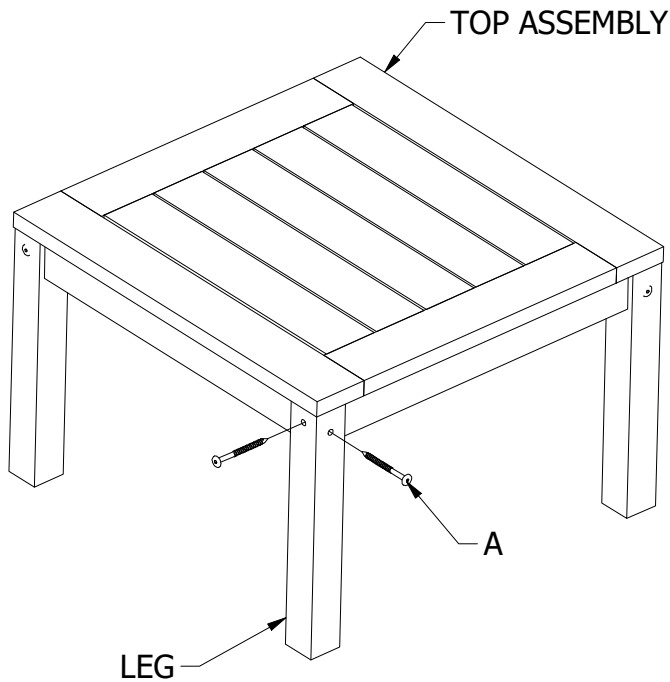
TOOLS INCLUDED



5/32" HEX BIT

CUSTOMER SUPPLIED TOOLS

Cordless screwdriver/drill



1) Attach leg to table top using (2) A bolts. Drilling a 3/16" pilot hole first will assist in driving the bolts. Repeat for remaining (3) legs.

Note: Orient legs to ensure bolts are aligned horizontally on each side of the table.

