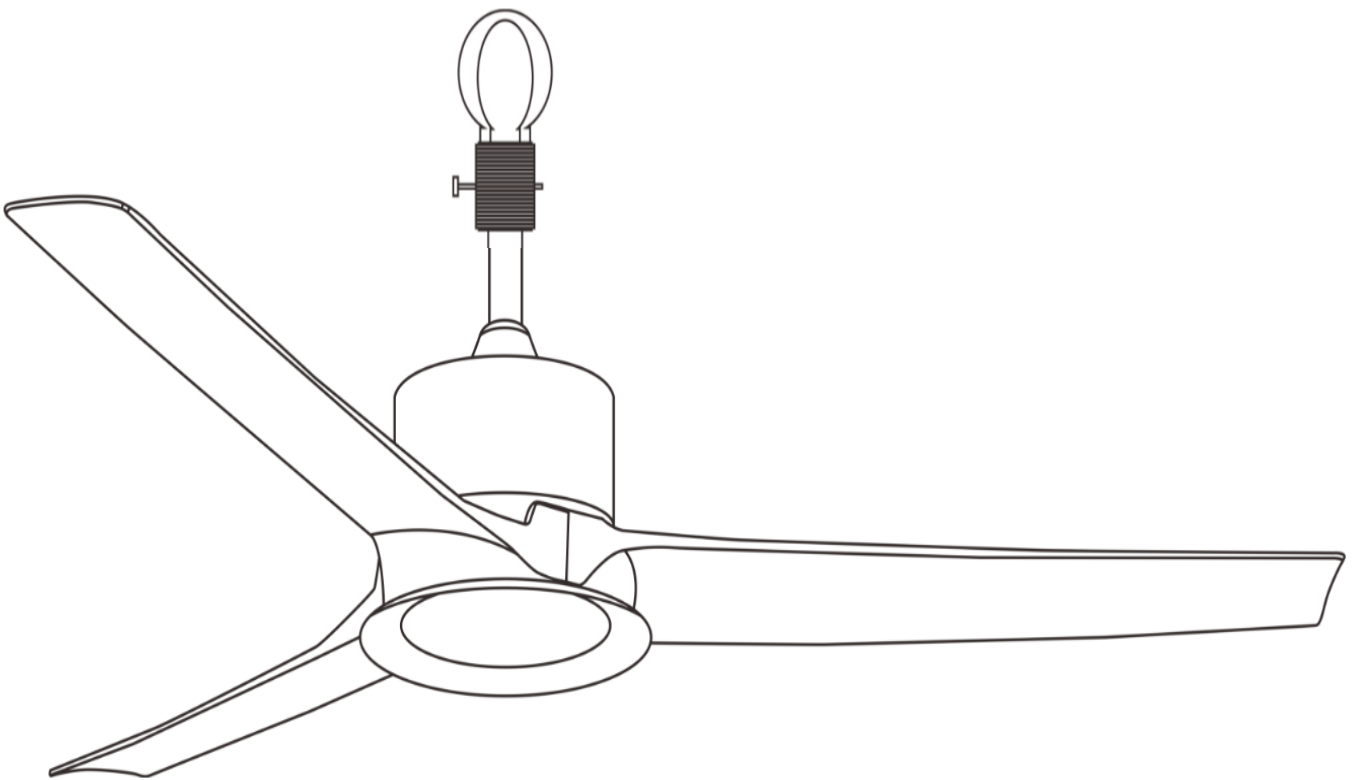


F343-52DB



**NOTE:** If you run motor without blades attached it will not work.  
You need to have the blades attached for the motor to turn.

## USE AND CARE GUIDE

— CEILING FAN —

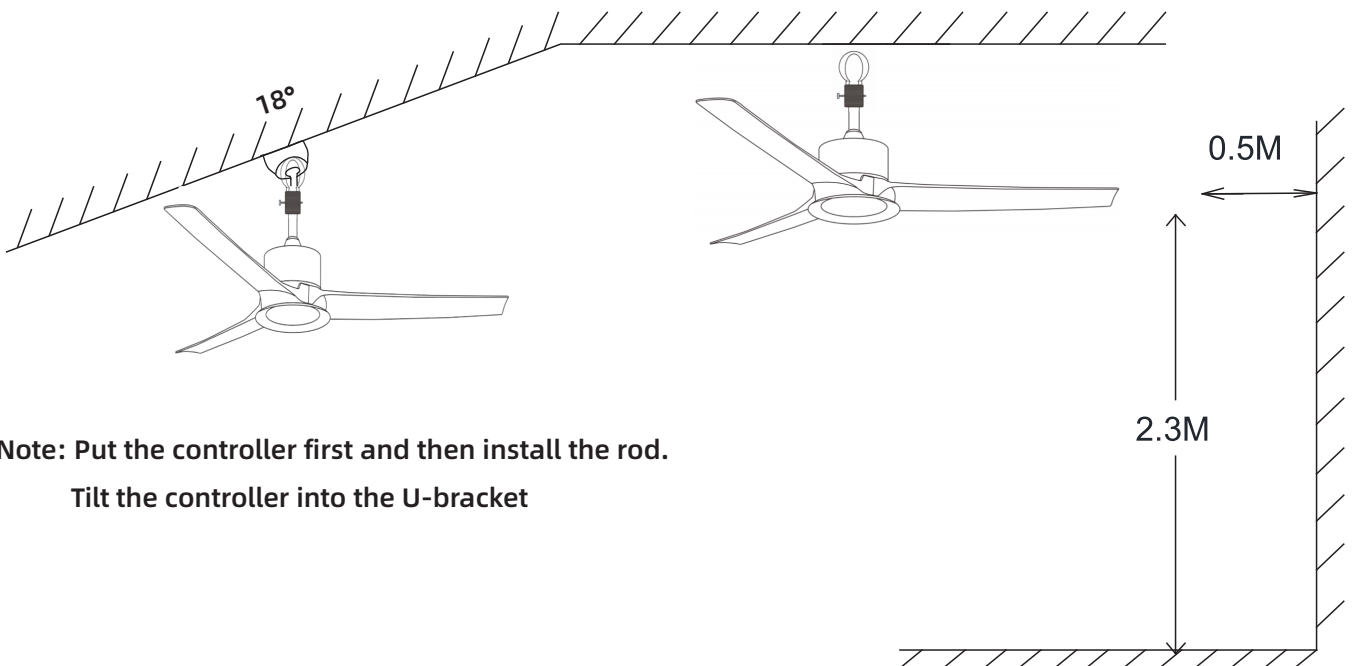
# Safety Rules

Please read all safety instructions prior to installing your ceiling fan and save this document for future reference. If you are in doubt with any of the information provided or difficulty installing your fan, please email customer service.

- ▶ Before you begin installing the fan, shut power off the circuit breaker for the fuse box.
- ▶ Read all instructions and safety information before installing your new fan.
- ▶ All wiring must be in accordance with national and local electrical codes. ANSI/NFPA 70. If you are unfamiliar with wiring, use a qualified electrician.
- ▶ Do not bend the blades while installing, balancing the blades, or cleaning the fan.
- ▶ Do not insert foreign objects in between rotating fan blades.
- ▶ Make sure the installation site you choose allows the fan blades to rotate without any obstructions.
- ▶ To Reduce the Risk of Electric Shock, Disconnect the electrical supply circuit before installing the light kit.
- ▶ After you install the fan, make sure that all mounting components are secured to prevent the fan from falling.
- ▶ Turn the fan off and wait for the blades to stop completely before performing any maintenance or cleaning.

## 1 Before Installation

- Carefully open the package. Remove items from the box. Place the motor body on carpet or foam to avoid damage to the finish. Do not discard fan cartons or foam inserts in case of return or repair.
- To prevent injury and damage, ensure that the hanging location allows the blades a clearance and location allows the blades a clearance and of 7.6ft.(2.3m) and 20in (50cm) from any wall or obstruction.
- Generally, our ceiling fan lights can also be installed on an inclined plane, but the inclination angle cannot be greater than 18 degrees, as shown in the figure below.



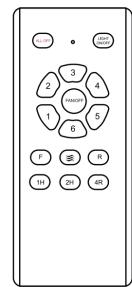
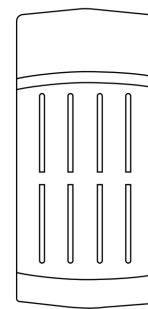
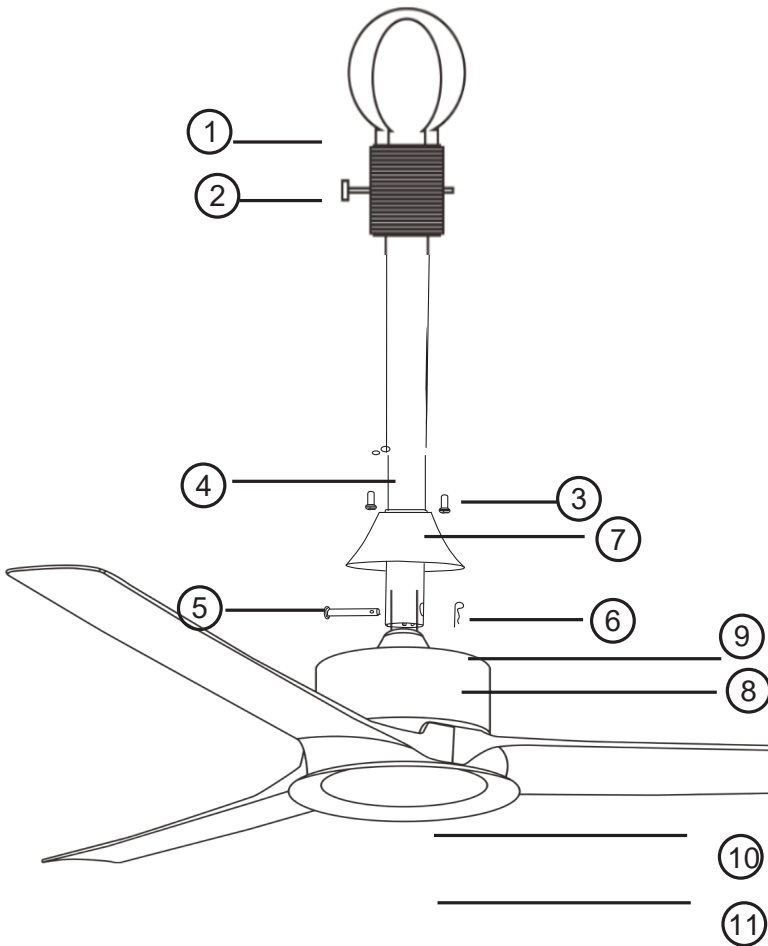
**Note: Put the controller first and then install the rod.  
Tilt the controller into the U-bracket**

# 2

## The Composition of the Ceiling Fan

You should have followings:

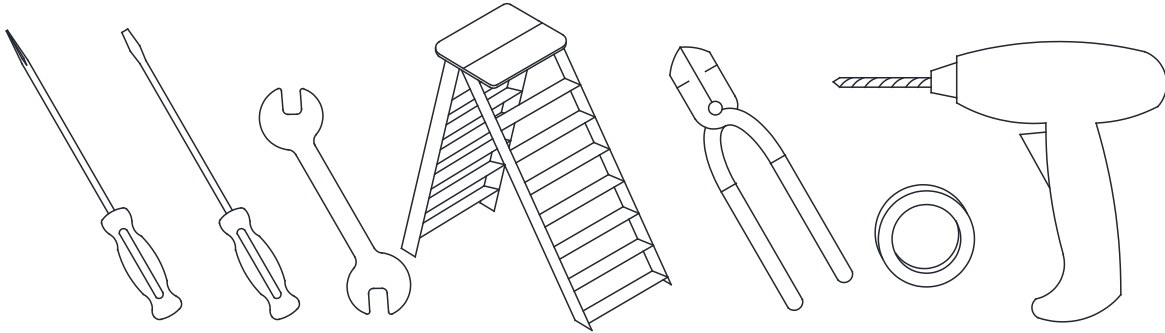
Unpack your fan and check the contents. You should have followings:



- 1. Mounting Bracket
- 2. Hook adapter
- 3. Canopy Screws
- 4. Downrod  
(Short rod 5in)  
(Long pole 10in)
- 5. Cross pin
- 6. Cotter pin
- 7. Yoke Cover
- 8. cage ket
- 9. Motor
- 10. LED Panel
- 11. LED

Please check all parts before installation. If you have any questions, please contact our technicians.  
Email: [usceilingfans@outlook.com](mailto:usceilingfans@outlook.com)

## 3 Tools Needed



You may need the tools below:

- Screwdrivers
- Wrench
- Wire Strippers
- Insulation Tape
- Ladder
- Power drill

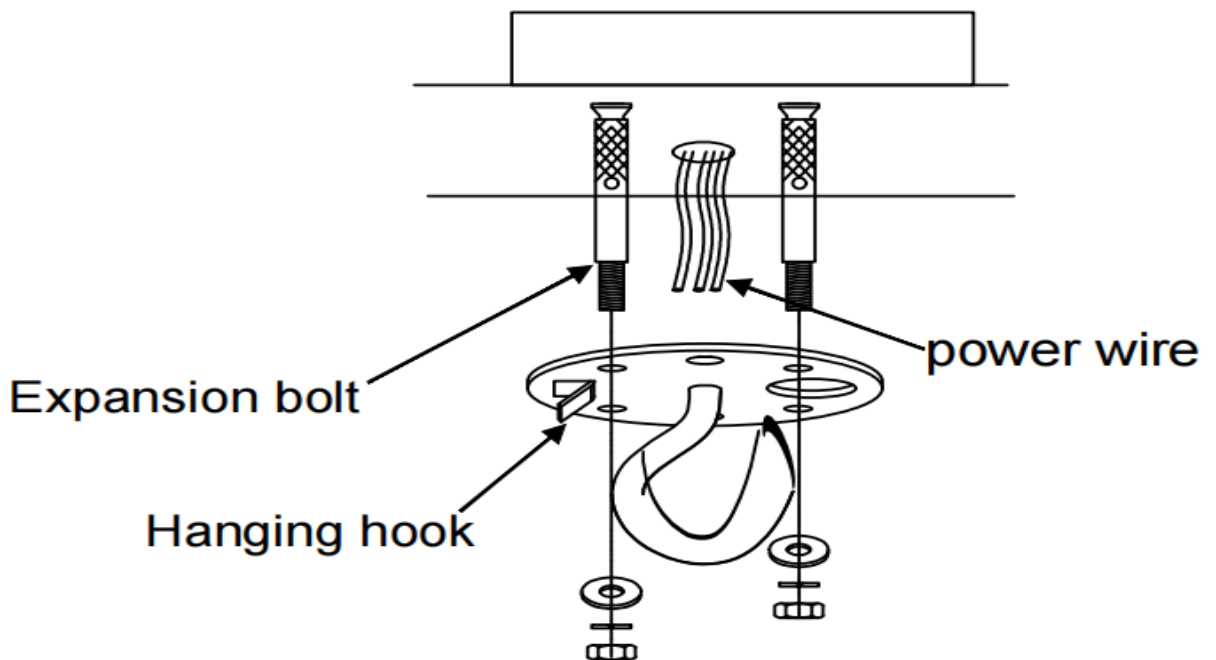
## 4 Secure Bracket

### BRACKET INSTALLATION

REMEMBER to turn off the power. Follow the step sbelow to hang your fan properly.

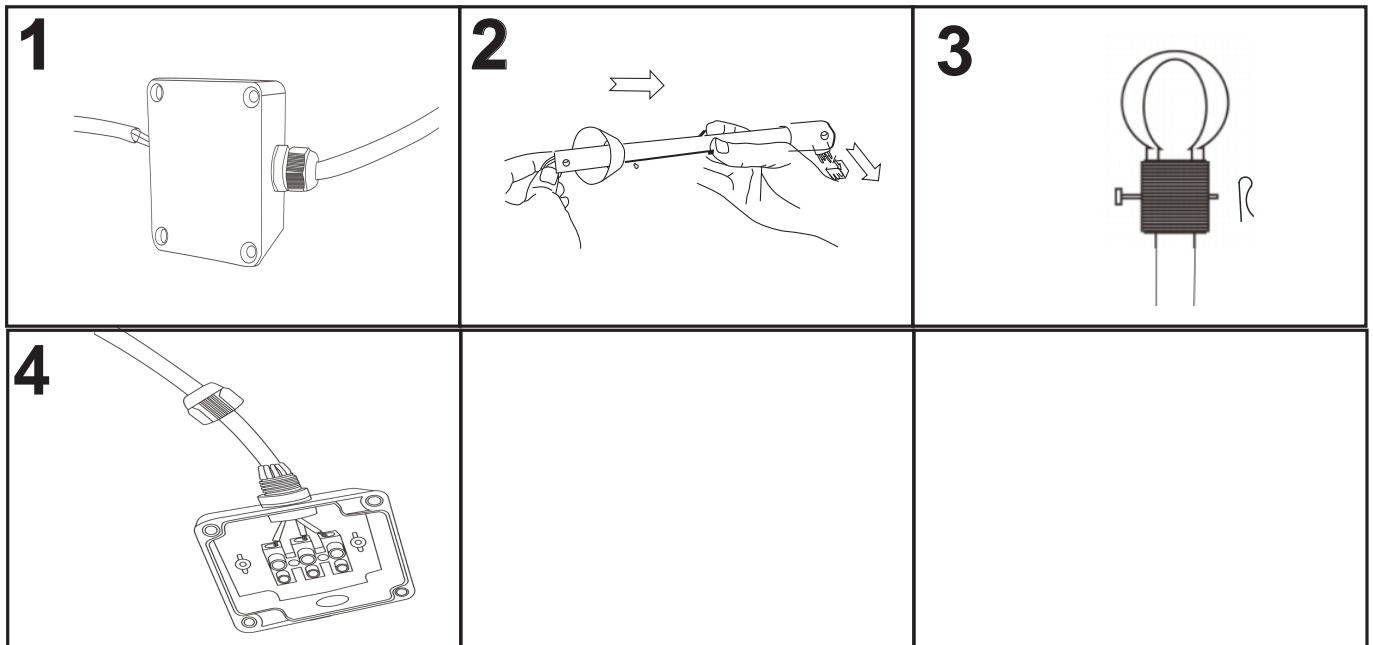
The hanging hook must be installed on a sturdy ceiling using expansion screws

The ceiling load must exceed 45KG



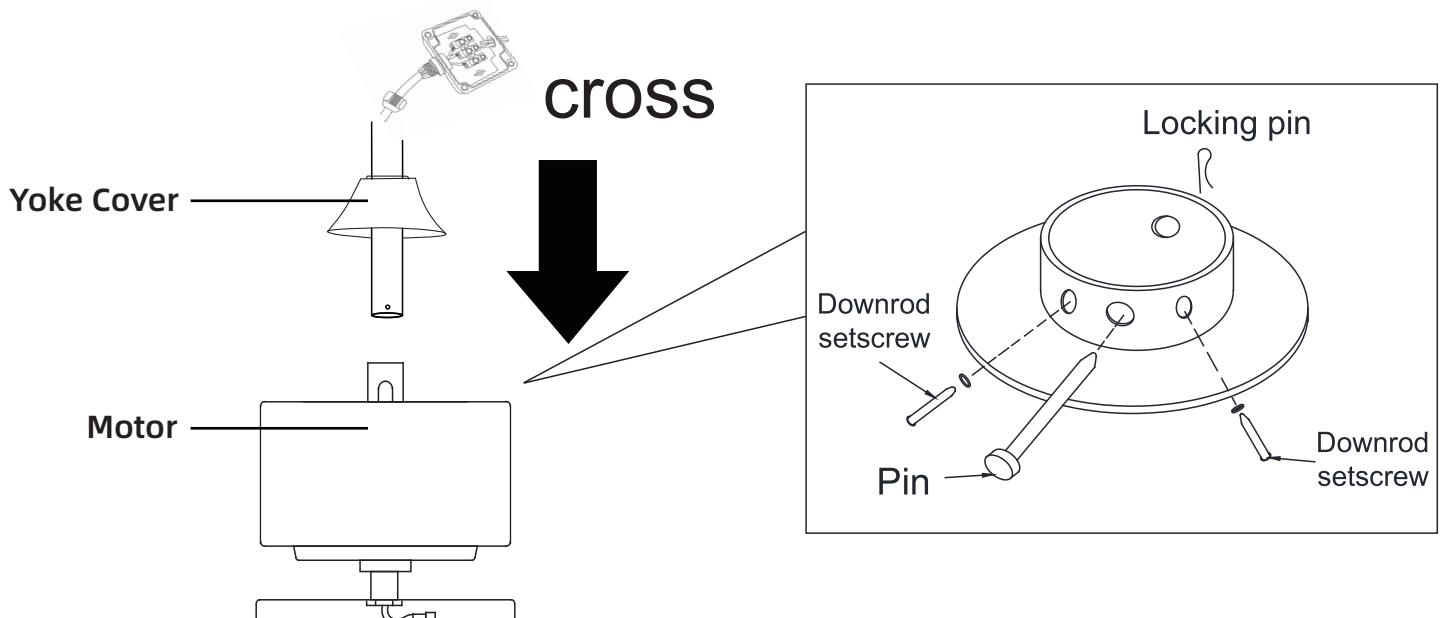
# 5 Install the hanging part of the ceiling fan.

## 1. Install downrod assembly



**REMEMBER to turn off the power. Follow the steps below to hang your fan properly:**

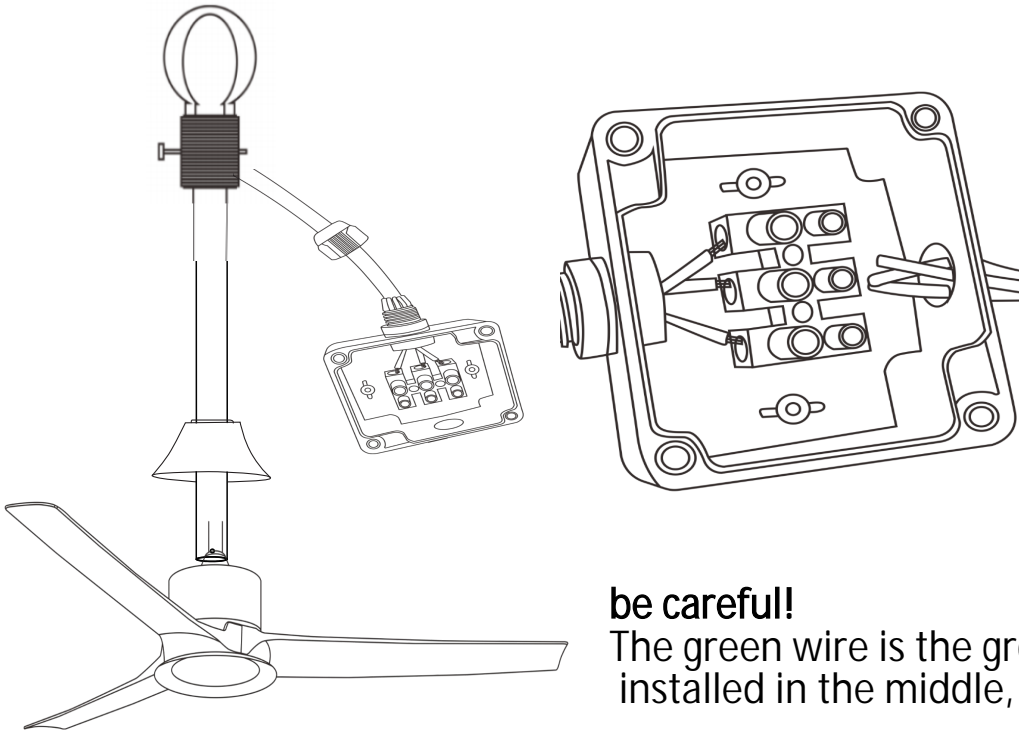
1. Open the pre installed waterproof box.
2. Thread the wire out from the hook hole,
3. Then fasten the hook and suspension rod with a pin and R pin.
4. Connect the power cord back to the waterproof box, paying attention to the green wire as the grounding wire, located at the middle terminal.



## 6

## Assembly-Hanging the Fan(continued)

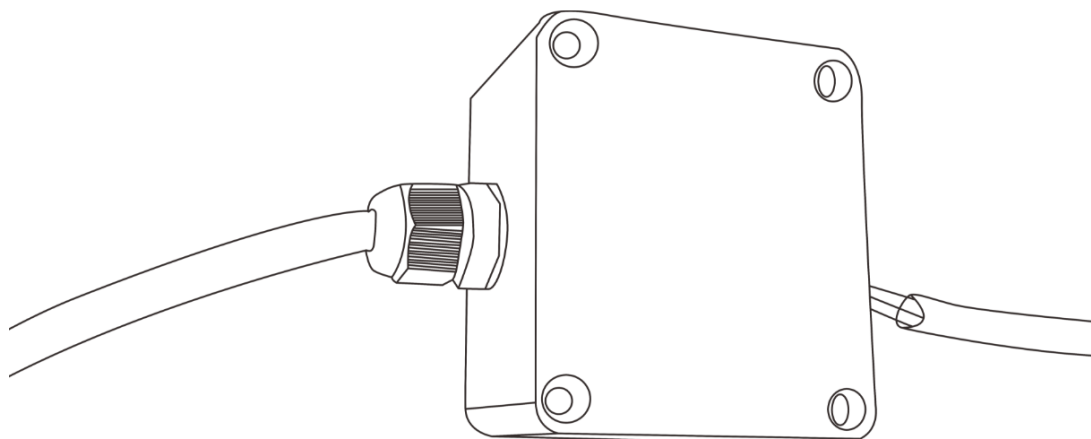
Install line



**be careful!**

The green wire is the grounding wire, installed in the middle,

Connect the input cable of the product to the waterproof box



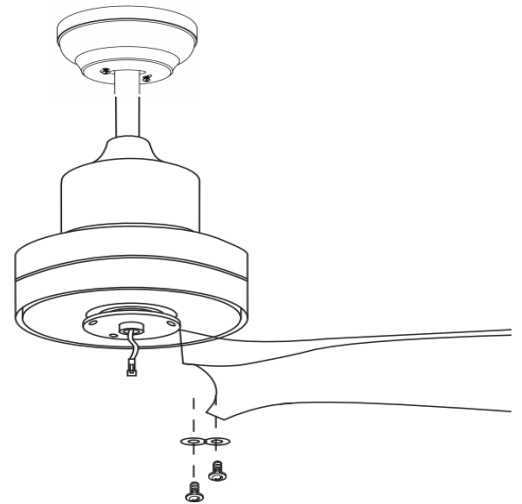
Connect the input power cord back to the waterproof box, and note that the green wire is the grounding wire, located at the middle terminal. Install the waterproof box again.

# 6

## Assembly-Hanging the Fan(continued)

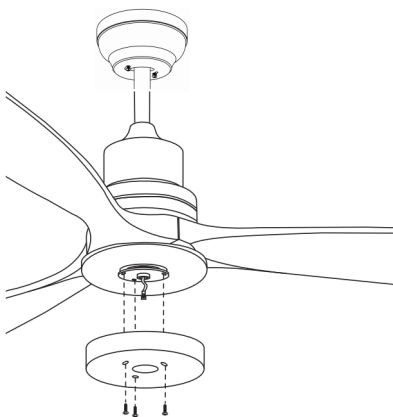
### Install fan blade

1. First, remove the screws from the motor,
2. Install the leaf with the letter "THIS SIDE UP" facing the motor,
3. Fix the fan blades with screws

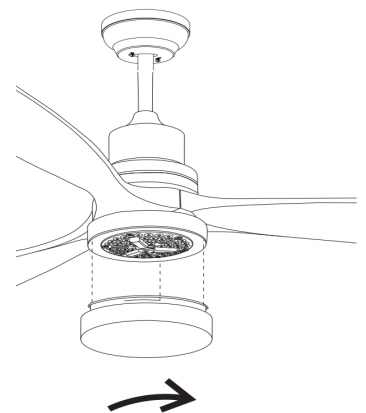
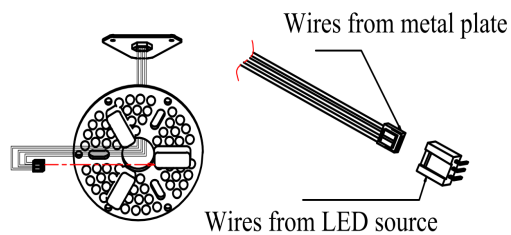


Phillips  
screwdriver

### Install LED panel



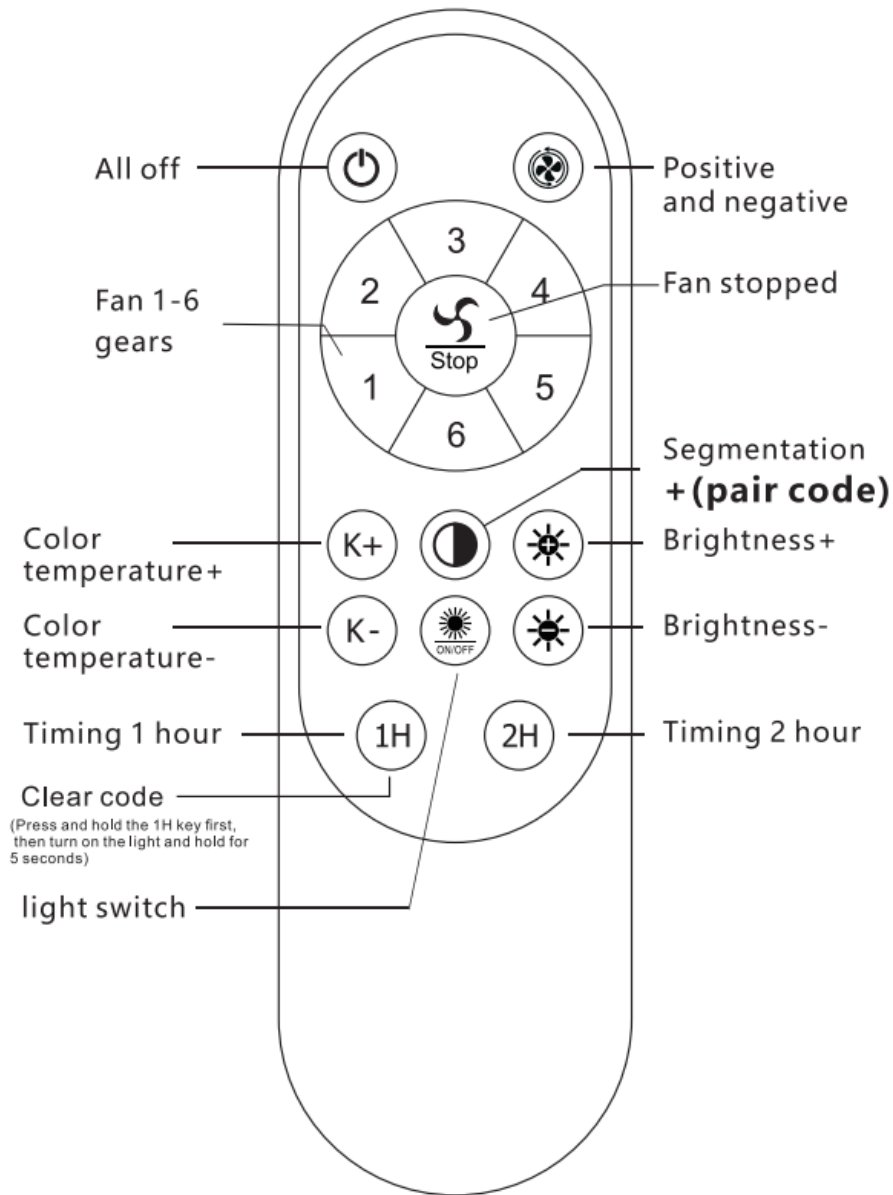
Connect the wires from metal plate and the wires on LED source



remove the screws from the motor,

Finally, clamp the lampshade onto the LED panel

## Function Instruction of Emitter



When the remote control cannot start the fan remotely, the following methods can be used to solve the problem:

1. Replace the battery or check if the battery is in good contact,
2. Code pairing: First turn off the wall switch, then turn it back on after 10 seconds. Immediately press and hold the "Light on/off" button on the remote control for 5 seconds after turning it on.