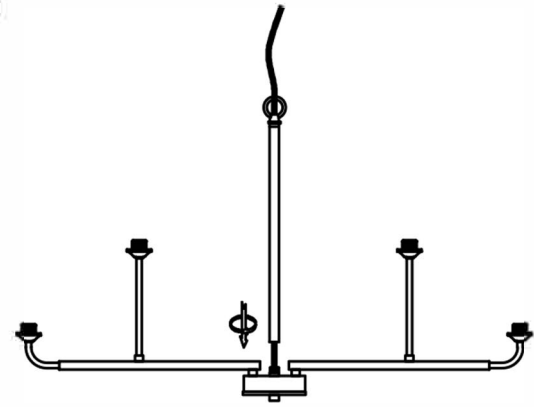


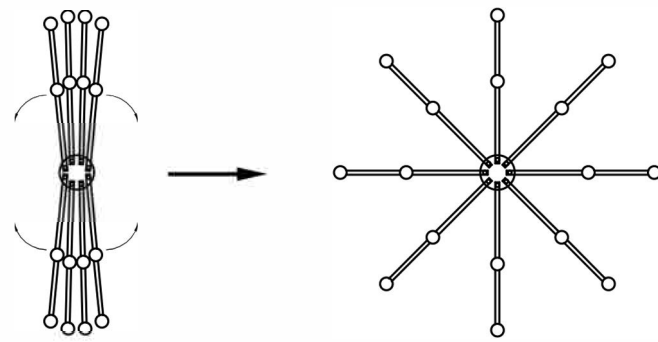
Model

①



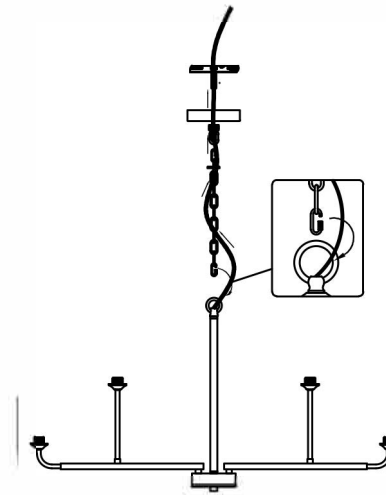
1. Pass the wires through the metal tube and secure the metal tube to the lamp body.

②



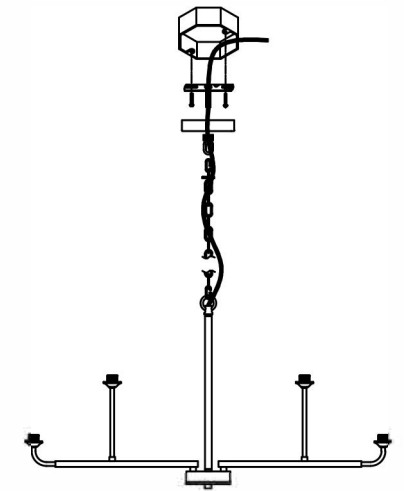
2. Adjust lamp body for even distribution.

③



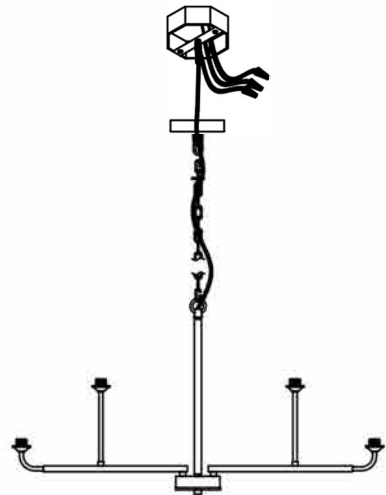
3. ① Use the quick link to connect the hanging chain to the lamp body. ② Pass the wire through the hanging chain, hanging ring, its outer ring, lamp base, hanging board and the light pole.

④



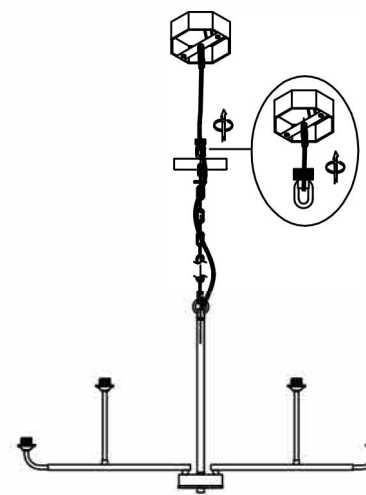
4. Use 2 long screws to fix the hanging board to the junction box.

⑤



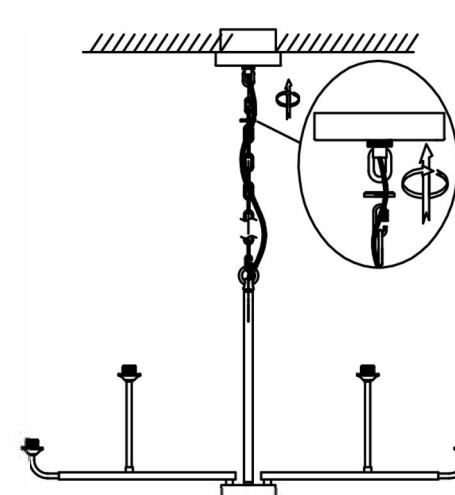
5. Wire the device by matching the colors of the wires. A total of 3 wires: Live wire, Neutral wire, and Ground wire. Cover the connection by tightening the wiring cap. To avoid electric shock, please do not let the copper wire expose.

⑥



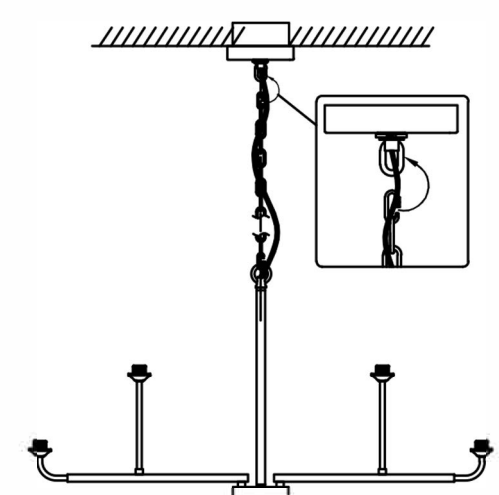
6. Attach the hanging ring to the poles in the center of the hanging board.

⑦



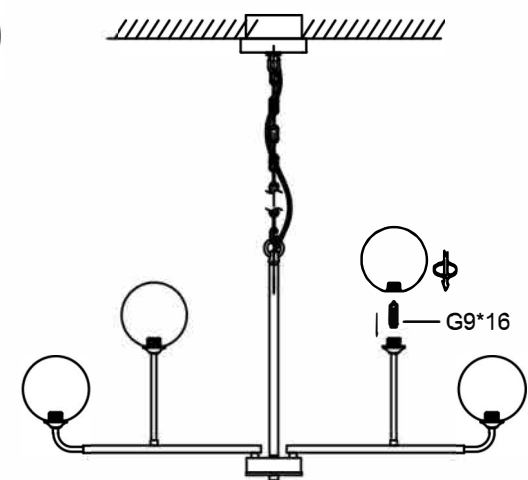
7. Slide the lamp base up and secure with the outer rings of the hanging ring.

⑧



8. Hang the lamp body onto the hanging ring using the quick link;

⑨



9. ① Install 16 G9 bulbs (Note: bulbs are not included); ② Rotate the glass lampshades onto the lamp body.

- | | | | |
|----|--|---------------|------|
| 1. | | Long screws | 2PCS |
| 2. | | Hanging board | 1PCS |
| 3. | | Wiring caps | 3PCS |
| 4. | | Lamp base | 1PCS |

- | | | | |
|----|--|---------------|------|
| 5. | | Hanging ring | 1PCS |
| 6. | | Hanging chain | 1PCS |
| 7. | | Metal tube | 1PCS |
| 8. | | Lamp body | 1PCS |

- | | | | |
|----|--|------------------|-------|
| 9. | | Glass lampshades | 16PCS |
|----|--|------------------|-------|