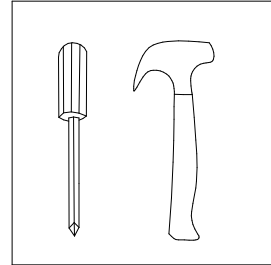
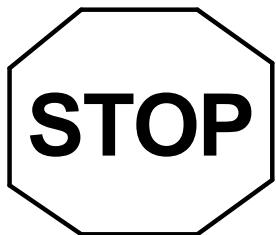
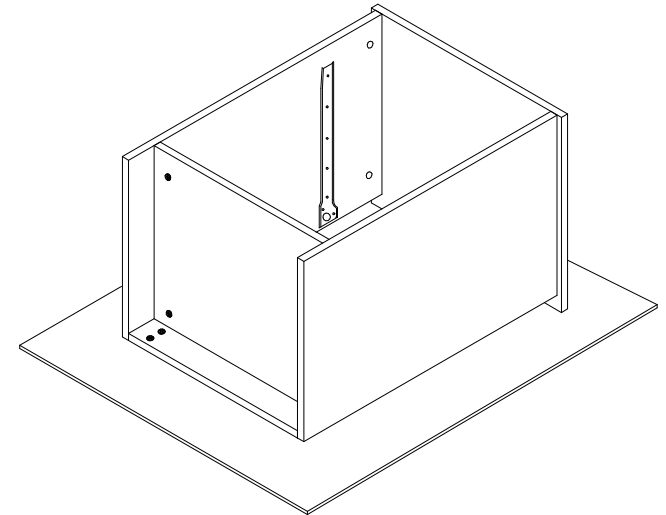
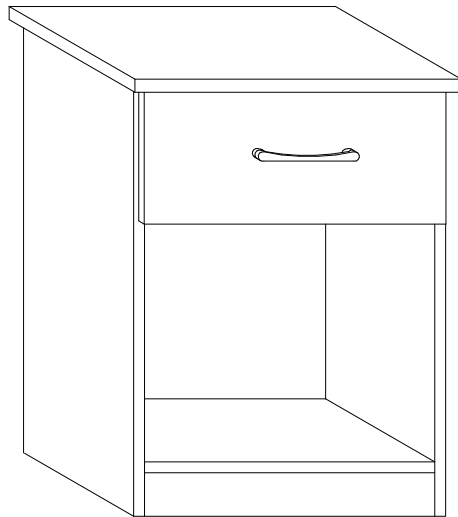


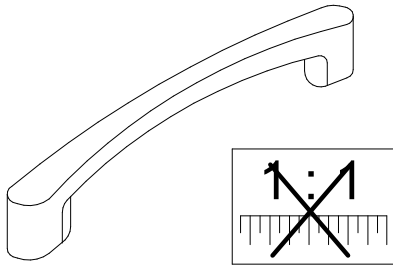
Required Tools : Screwdriver & Hammer



MODEL: LINDSEY (NIGHT STAND)

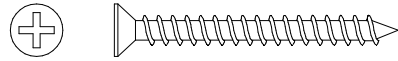


Please place on the carton while installing to prevent damage or scratches.



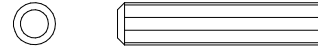
A | **1PC**

Plastic Handle



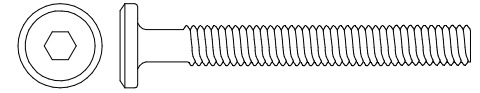
B | **2PCS**

Handle Screw
M4 X 40mm



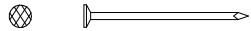
C | **6PCS**

Wood Dowel
M6 X 30mm



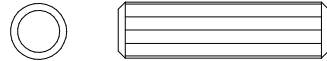
D | **2PCS**

JCBC Bolt
M6 X 50mm



E | **22PCS**

Nail



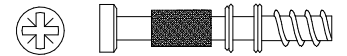
F | **6PCS**

Wood Dowel
M8 X 30mm



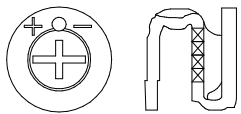
G | **1PC**

Allen Key



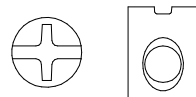
H | **16PCS**

Cam Screw



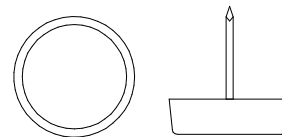
I | **16PCS**

Cam Lock



J | **2PCS**

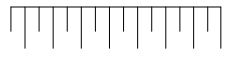
Barrel Nut



K | **4PCS**

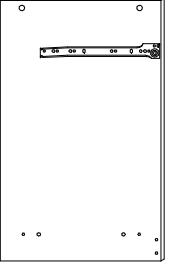
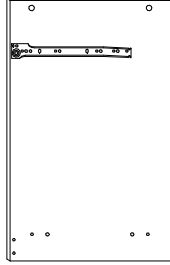
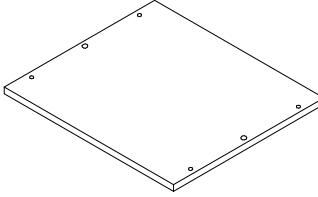
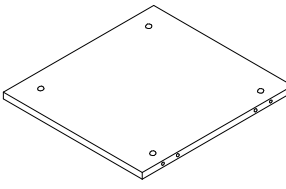
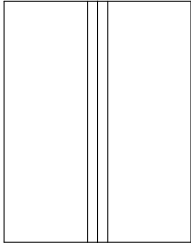
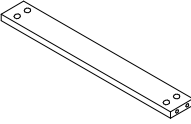
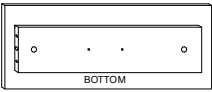

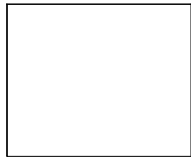
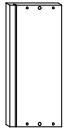
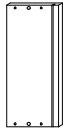
Nail Leg With Pin

1 : 1

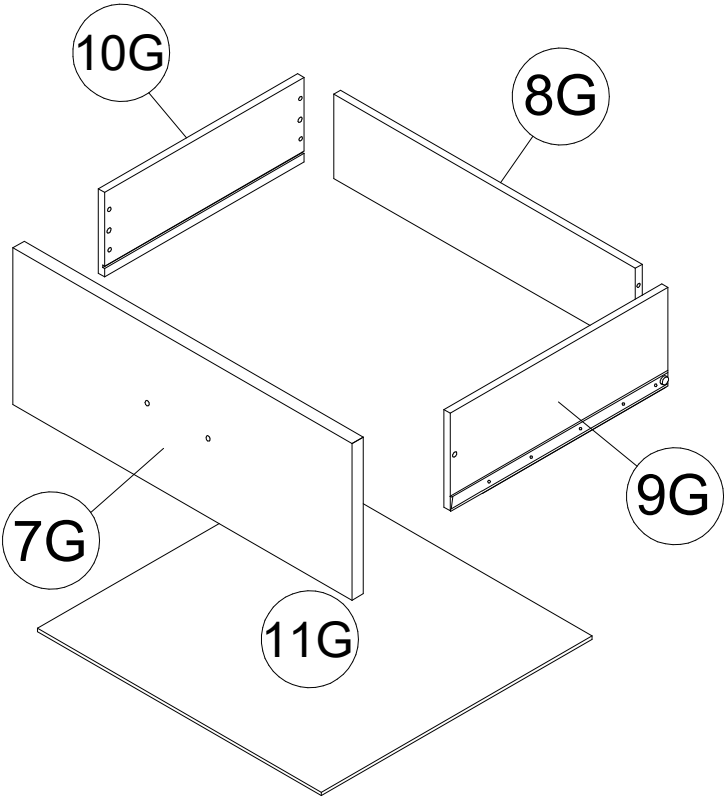


ASSEMBLY INSTRUCTION (PART)

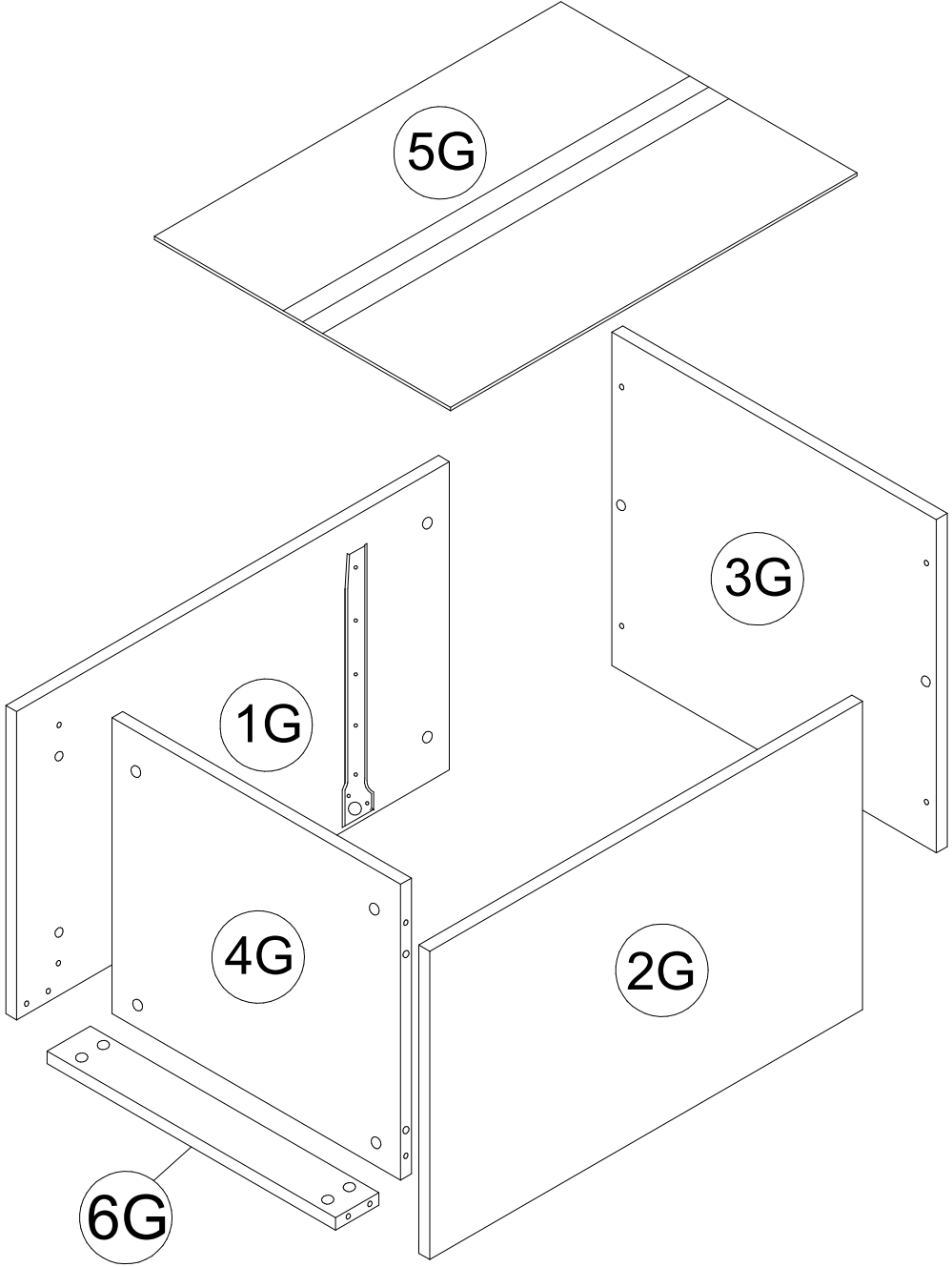
MODEL: LINDSEY (NIGHT STAND)

<p>1G</p>  <p style="text-align: center;">SIDE PANEL (R) (1PC)</p>	<p>2G</p>  <p style="text-align: center;">SIDE PANEL (L) (1PC)</p>	<p>3G</p>  <p style="text-align: center;">TABLE TOP (1PC)</p>	<p>4G</p>  <p style="text-align: center;">BOTTOM (1PC)</p>	<p>5G</p>  <p style="text-align: center;">BACK PANEL (1PC)</p>
<p>6G</p>  <p style="text-align: center;">APRON PANEL (1PC)</p>	<p>7G</p>  <p style="text-align: center;">DRAWER TOP (1PC)</p>	<p>8G</p>  <p style="text-align: center;">DRAWER BACK PANEL (1PC)</p>	<p>11G</p>  <p style="text-align: center;">DRAWER PANEL (1PC)</p>	
<p>9G</p>  <p style="text-align: center;">DRAWER SIDE PANEL R (1PC)</p>		<p>10G</p>  <p style="text-align: center;">DRAWER SIDE PANEL L (1PC)</p>		

MODEL: LINDSEY (NIGHT STAND)



1X Drawer



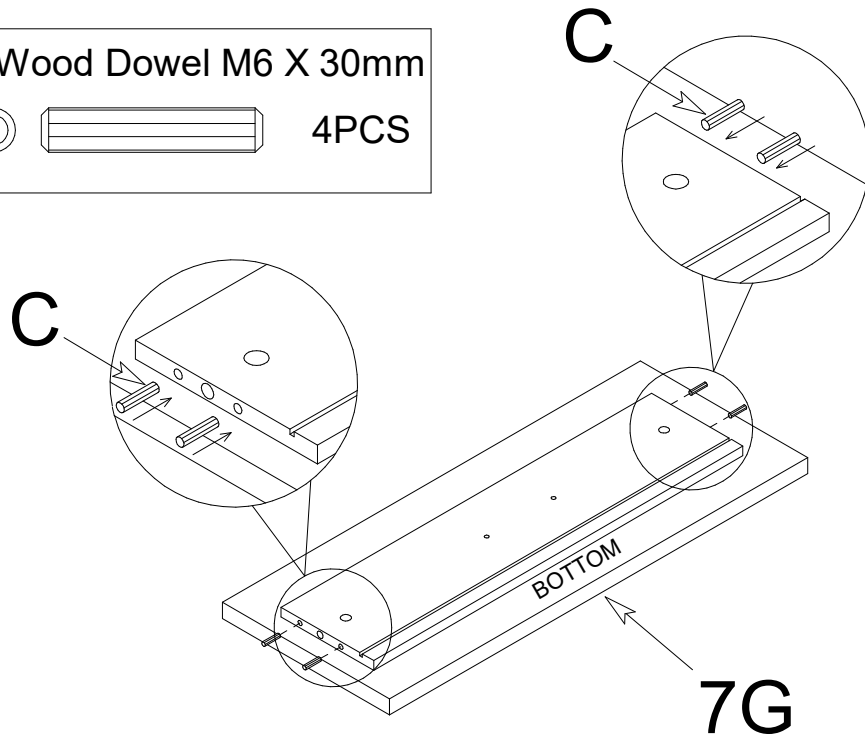
ASSEMBLY INSTRUCTION

MODEL: LINDSEY (NIGHT STAND)

STEP 1.

1X Drawer

C-Wood Dowel M6 X 30mm



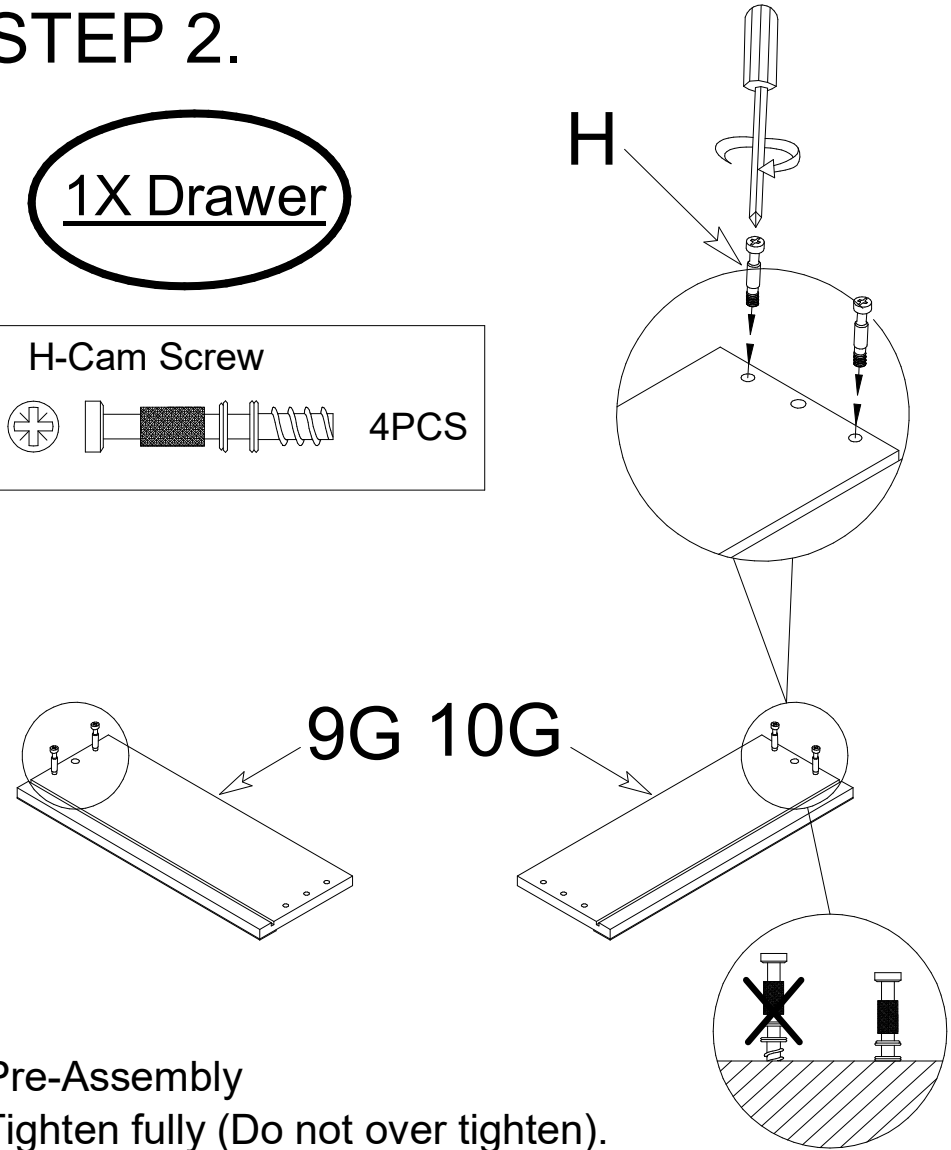
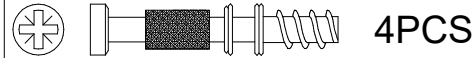
Pre-Assembly

Insert wood dowel in predrilled hole.

STEP 2.

1X Drawer

H-Cam Screw



Pre-Assembly

Tighten fully (Do not over tighten).

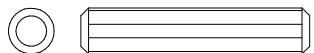
ASSEMBLY INSTRUCTION

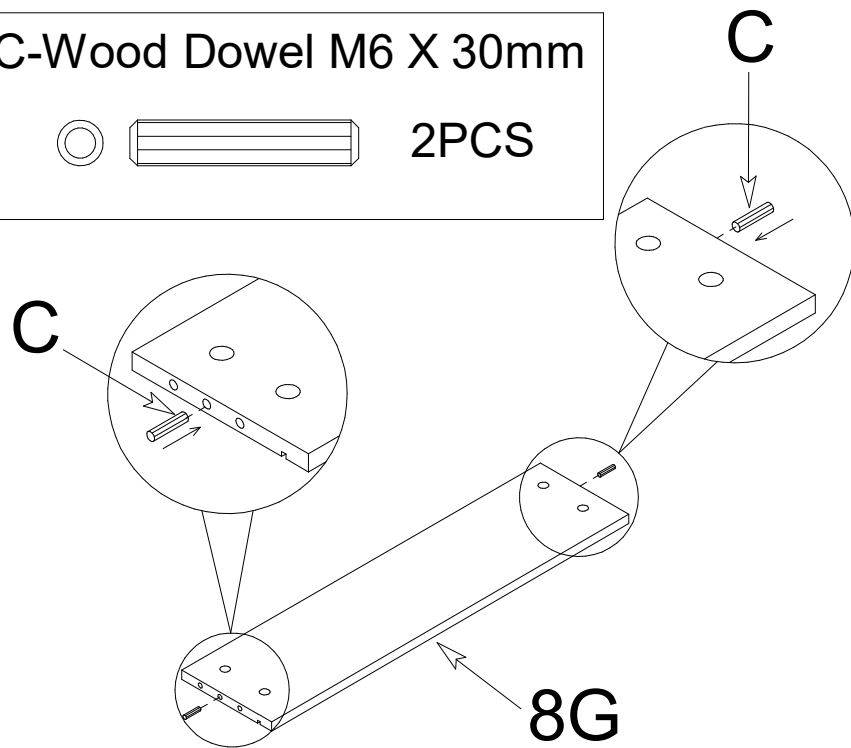
MODEL: LINDSEY (NIGHT STAND)

STEP 3.

1X Drawer

C-Wood Dowel M6 X 30mm

 2PCS



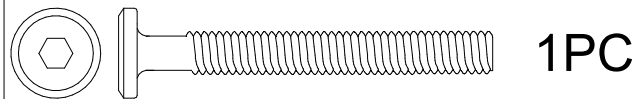
Pre-Assembly
Insert wood dowel in predrilled hole.

STEP 4.

1X Drawer

10G

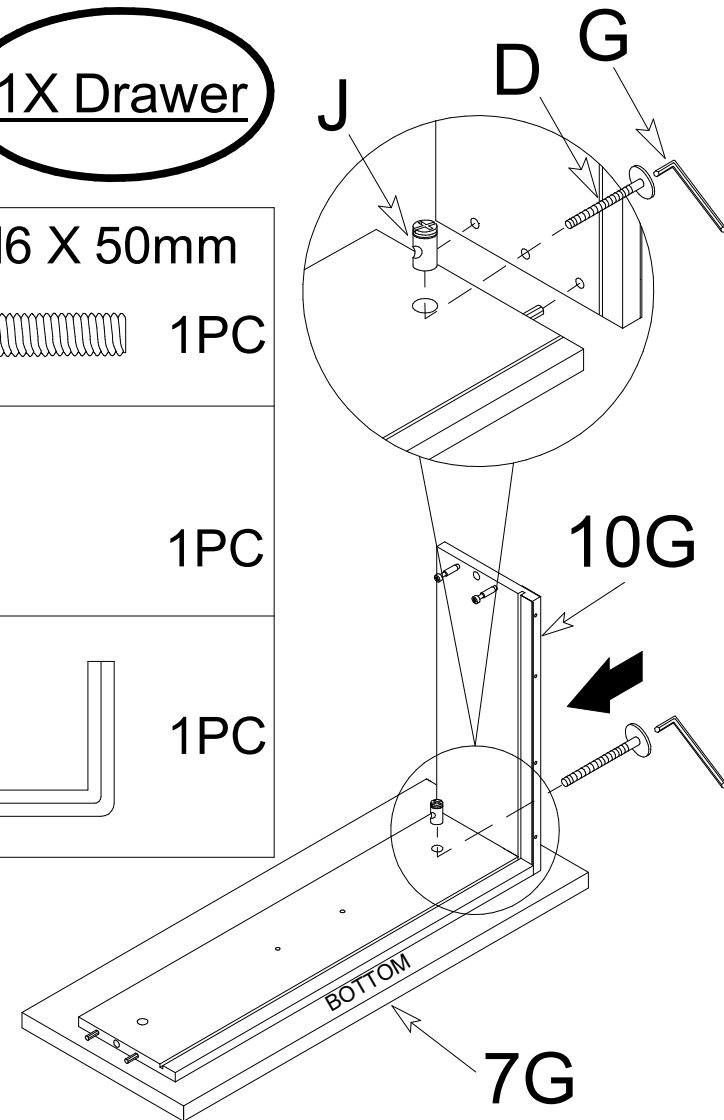
D-JCBC Bolt M6 X 50mm



J-Barrel Nut



G-Allen Key



Tighten fully. (Do not over tighten).

ASSEMBLY INSTRUCTION

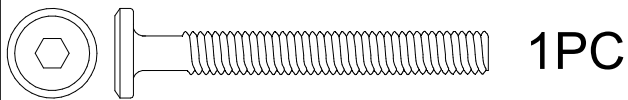
MODEL: LINDSEY (NIGHT STAND)

STEP 5.

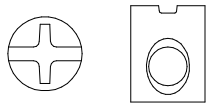
1X Drawer

9G

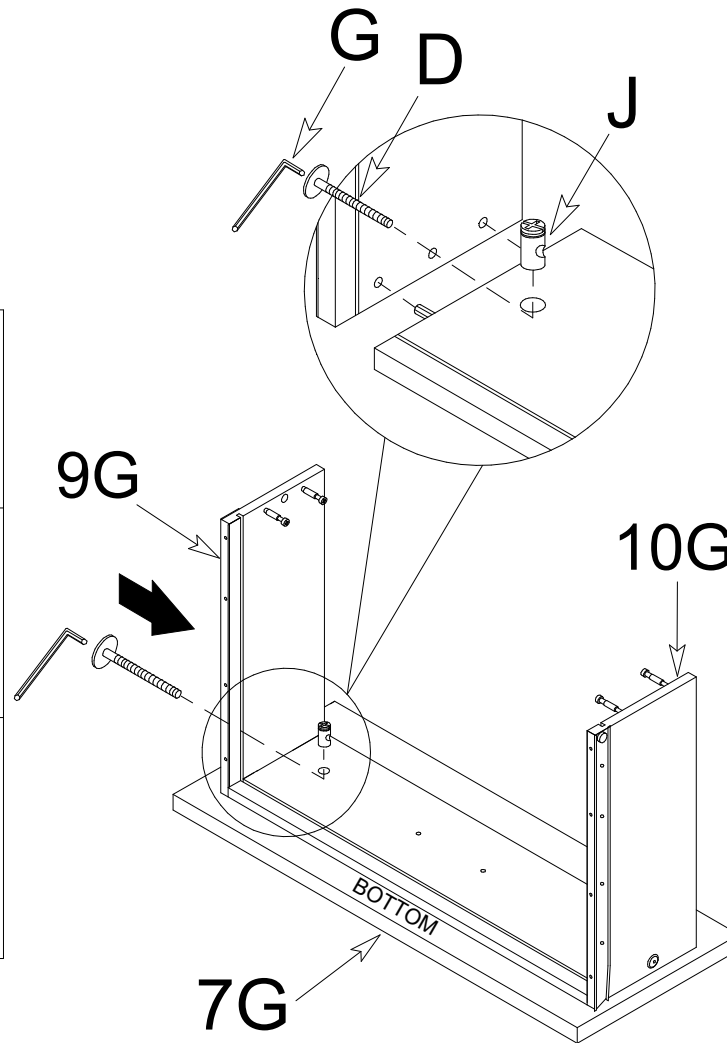
D-JCBC Bolt M6 X 50mm



J-Barrel Nut

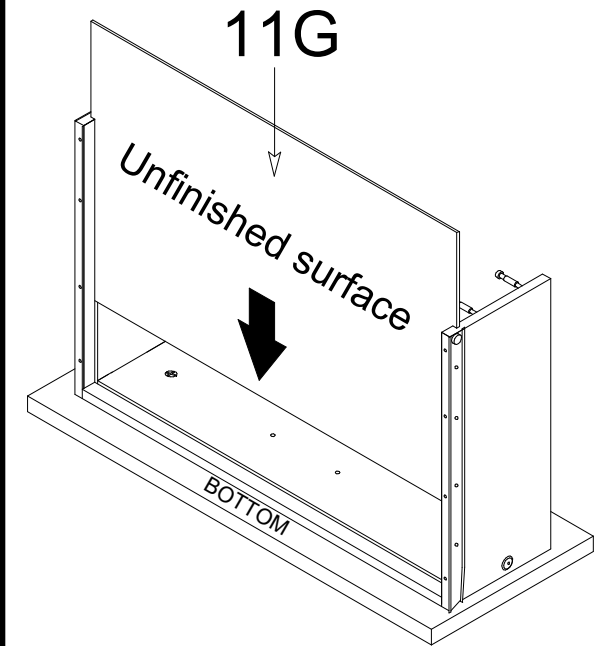


G-Allen Key



STEP 6.

1X Drawer



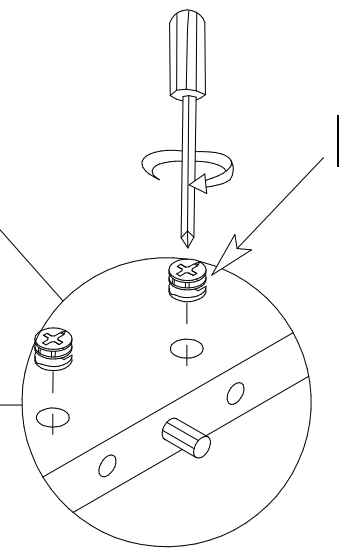
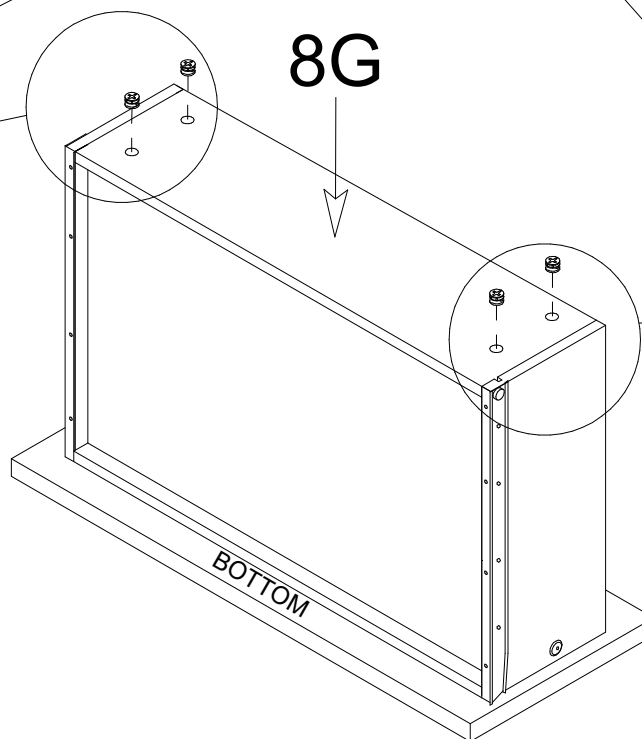
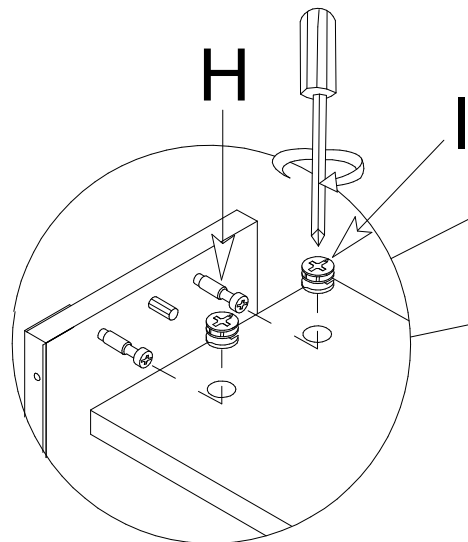
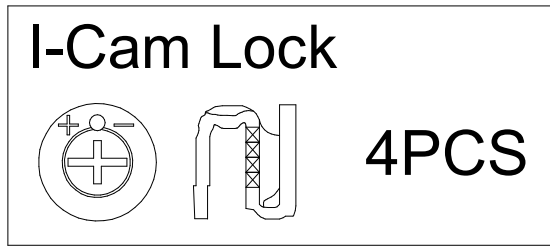
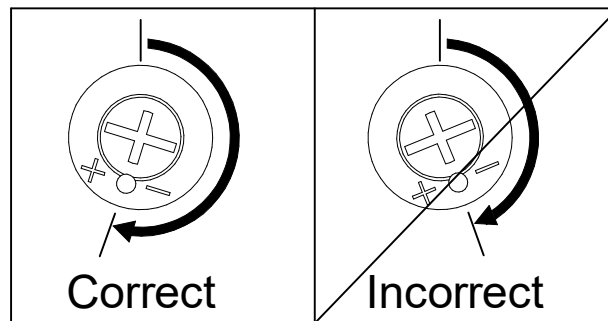
Tighten fully. (Do not over tighten).

ASSEMBLY INSTRUCTION

MODEL: LINDSEY (NIGHT STAND)

STEP 7.

Tighten fully. (Do not over tighten).



1X Drawer

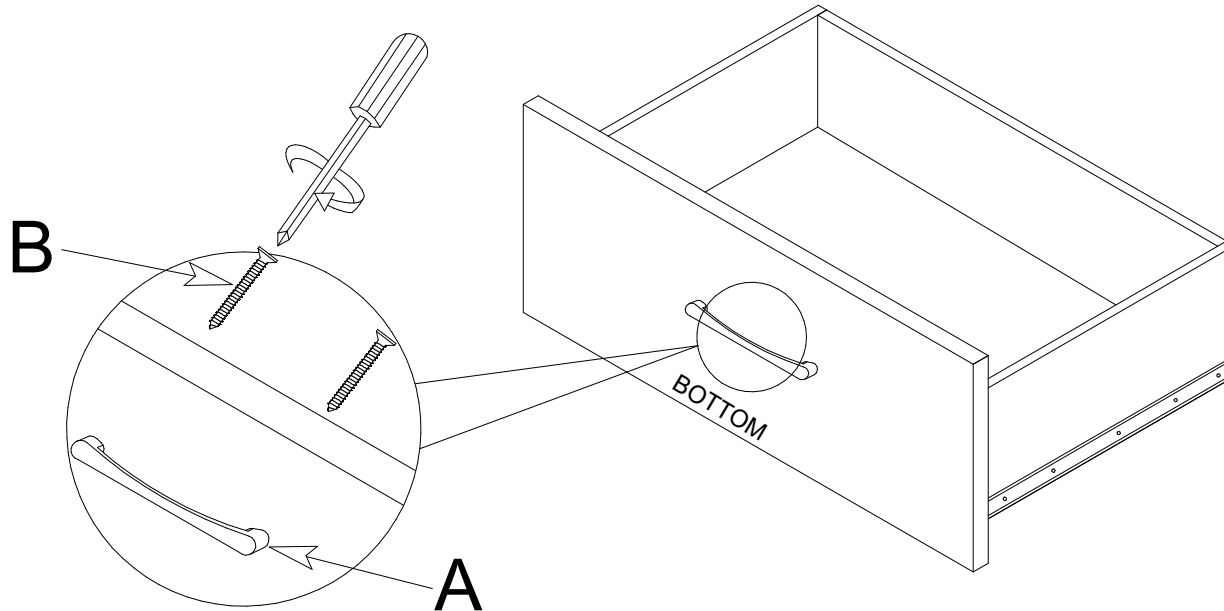
Proper orientation
of Cam Lock (I).
1/2 turn to fully lock.

ASSEMBLY INSTRUCTION

MODEL: LINDSEY (NIGHT STAND)

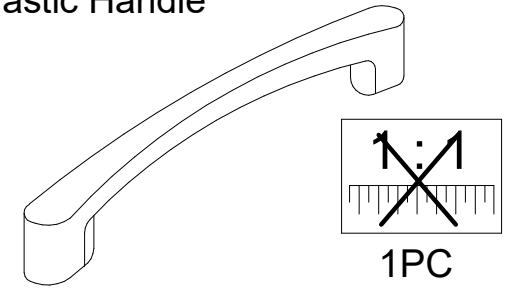
STEP 8.

1X Drawer



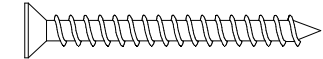
Attach handle using handle screw (B).

A-Plastic Handle



1PC

B-Handle Screw M4 X 40mm



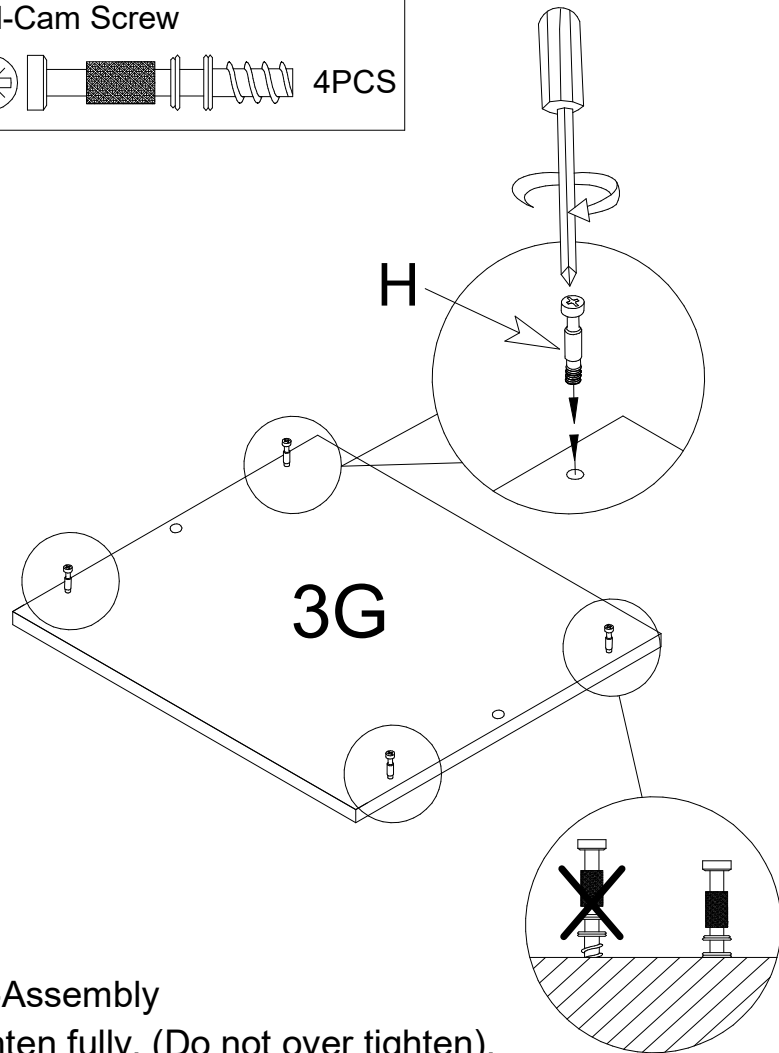
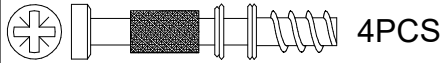
2PCS

ASSEMBLY INSTRUCTION

MODEL: LINDSEY (NIGHT STAND)

STEP 9.

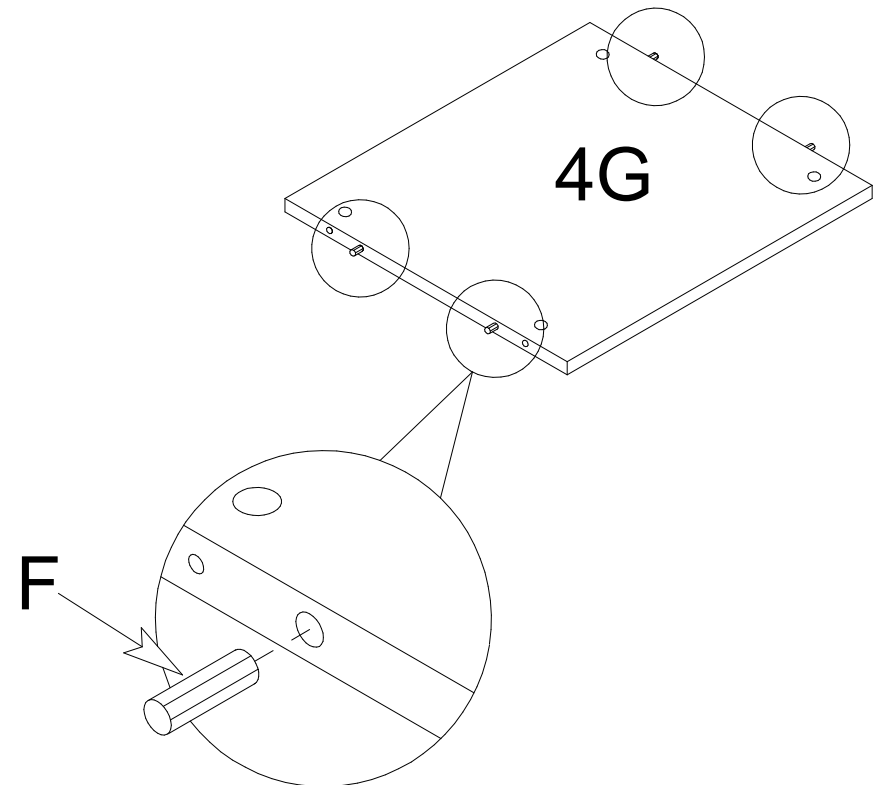
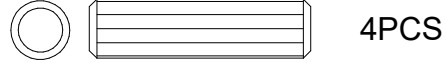
H-Cam Screw



Pre-Assembly
Tighten fully. (Do not over tighten).

STEP 10.

F-Wood Dowel M8 X 30

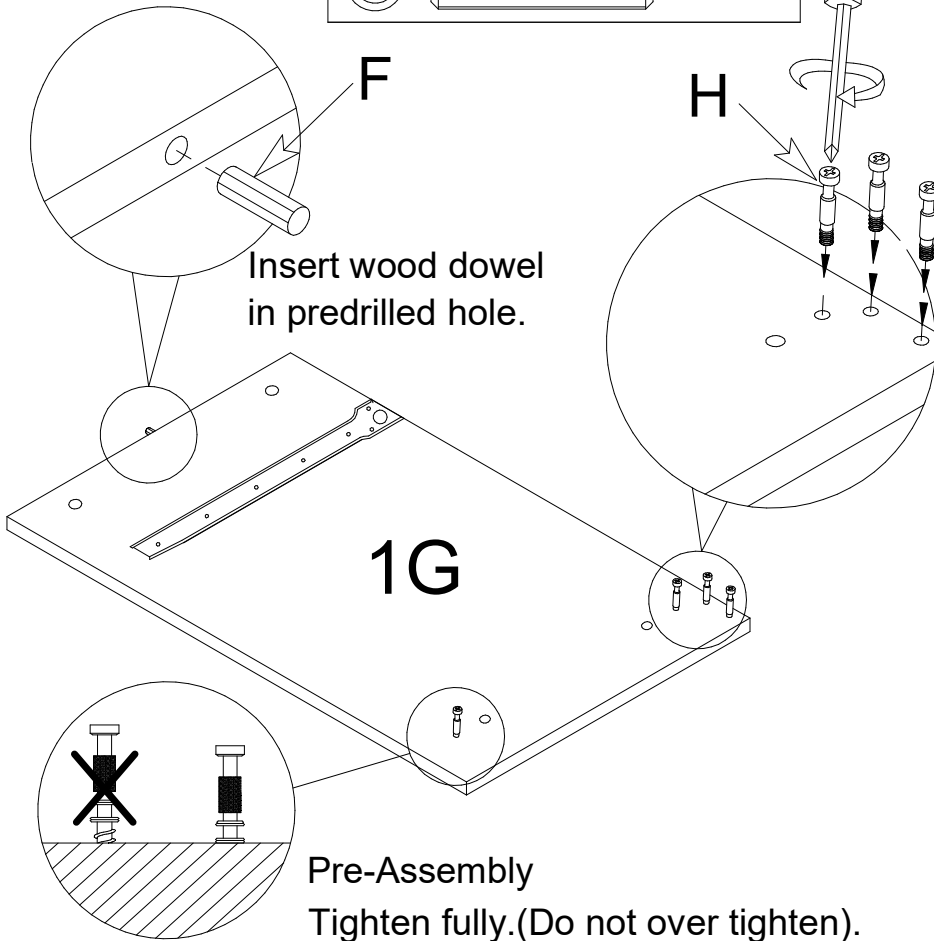
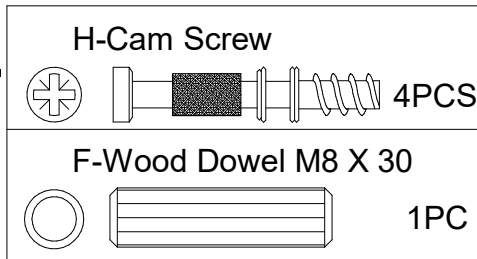


Insert wood dowel
in predrilled hole.

ASSEMBLY INSTRUCTION

MODEL: LINDSEY (NIGHT STAND)

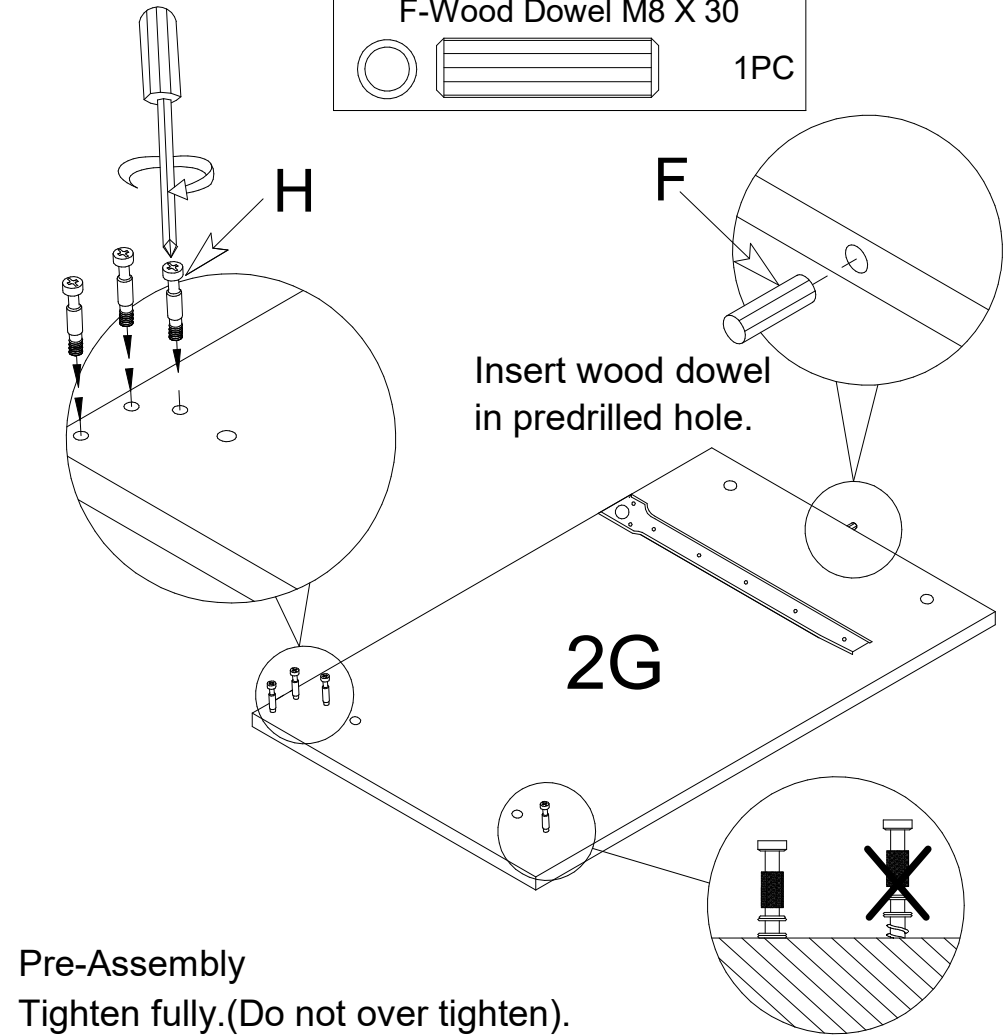
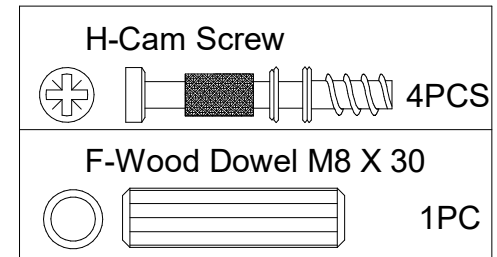
STEP 11.



Insert wood dowel
in predrilled hole.

Pre-Assembly
Tighten fully. (Do not over tighten).

STEP 12.



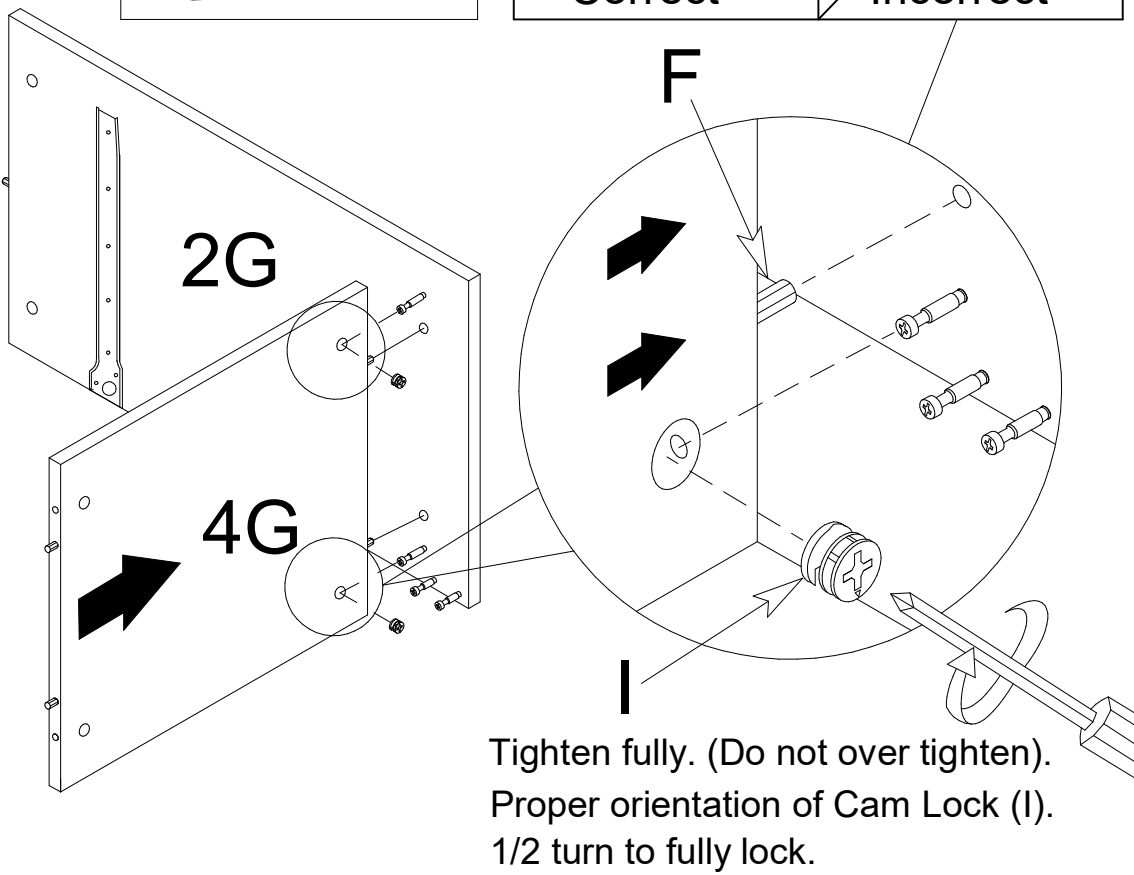
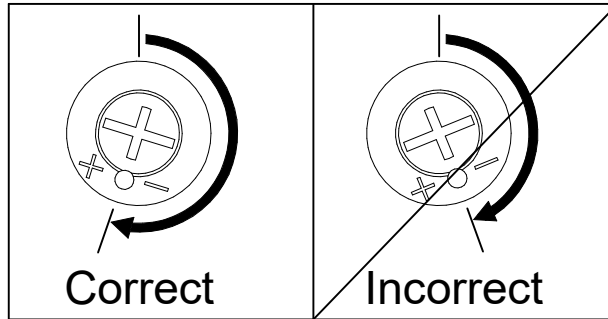
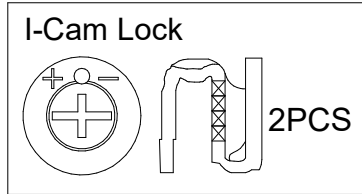
Insert wood dowel
in predrilled hole.

Pre-Assembly
Tighten fully. (Do not over tighten).

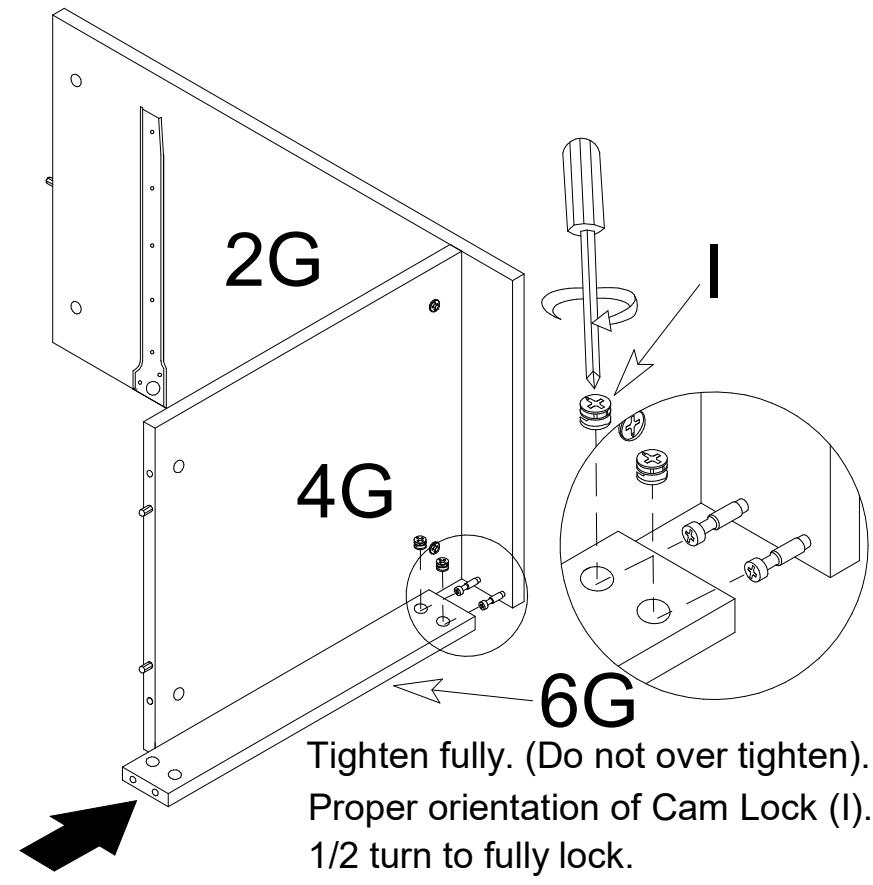
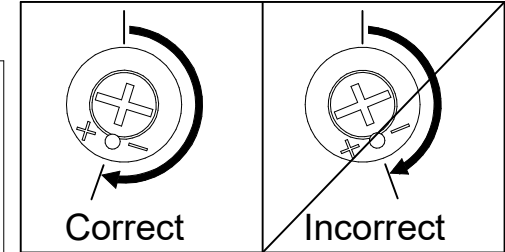
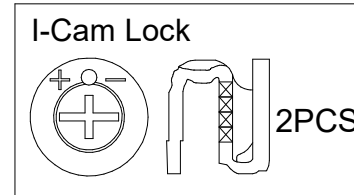
ASSEMBLY INSTRUCTION

MODEL: LINDSEY (NIGHT STAND)

STEP 13.



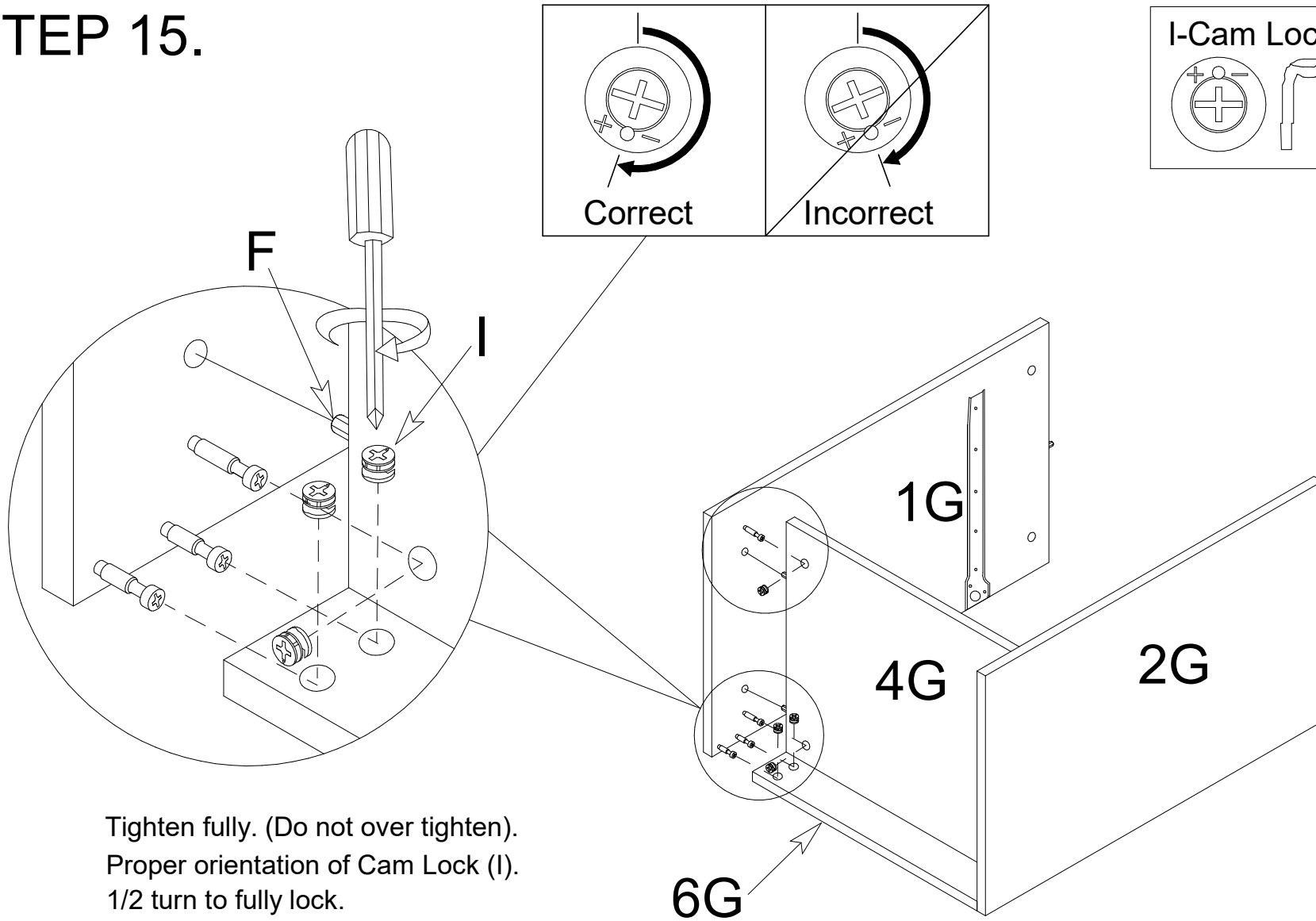
STEP 14.



ASSEMBLY INSTRUCTION

MODEL: LINDSEY (NIGHT STAND)

STEP 15.

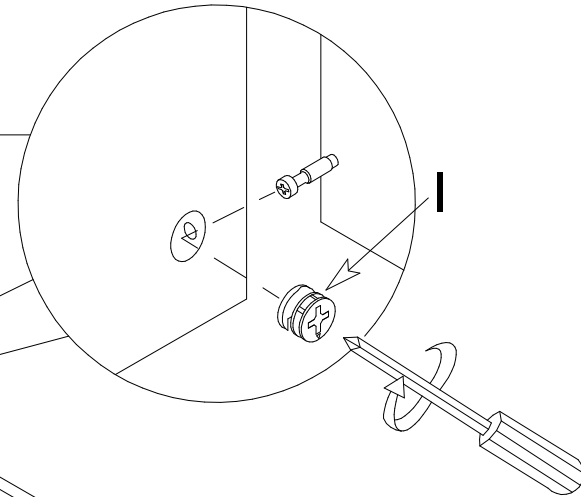
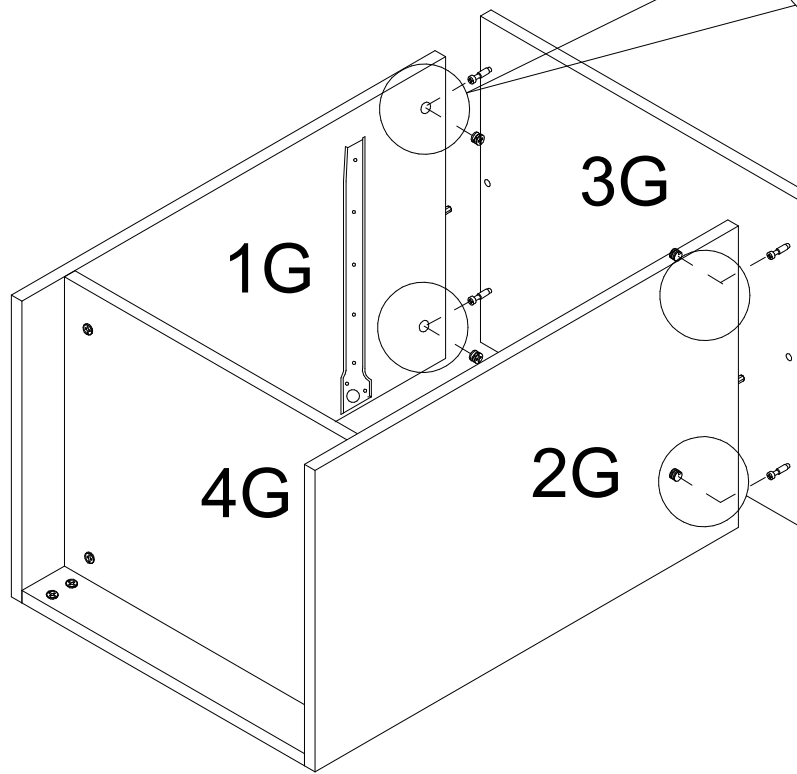
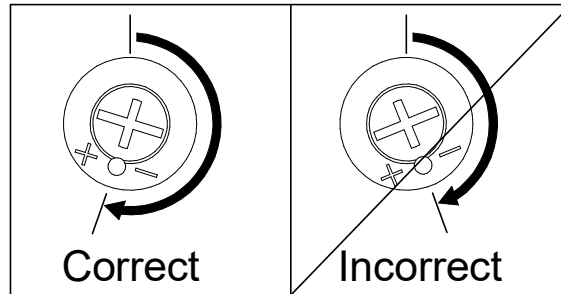
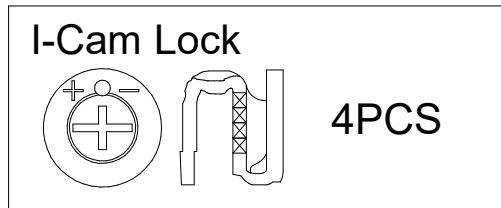


Tighten fully. (Do not over tighten).
Proper orientation of Cam Lock (I).
1/2 turn to fully lock.

ASSEMBLY INSTRUCTION

MODEL: LINDSEY (NIGHT STAND)

STEP 16.





Tighten fully. (Do not over tighten).
Proper orientation of Cam Lock (I).
1/2 turn to fully lock.

ASSEMBLY INSTRUCTION

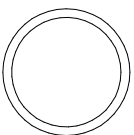
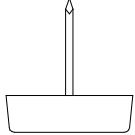
MODEL: LINDSEY (NIGHT STAND)

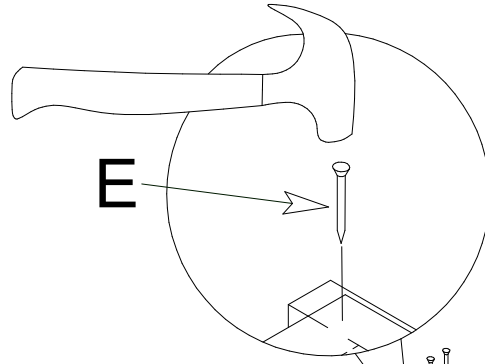
STEP 17.

E-Nail

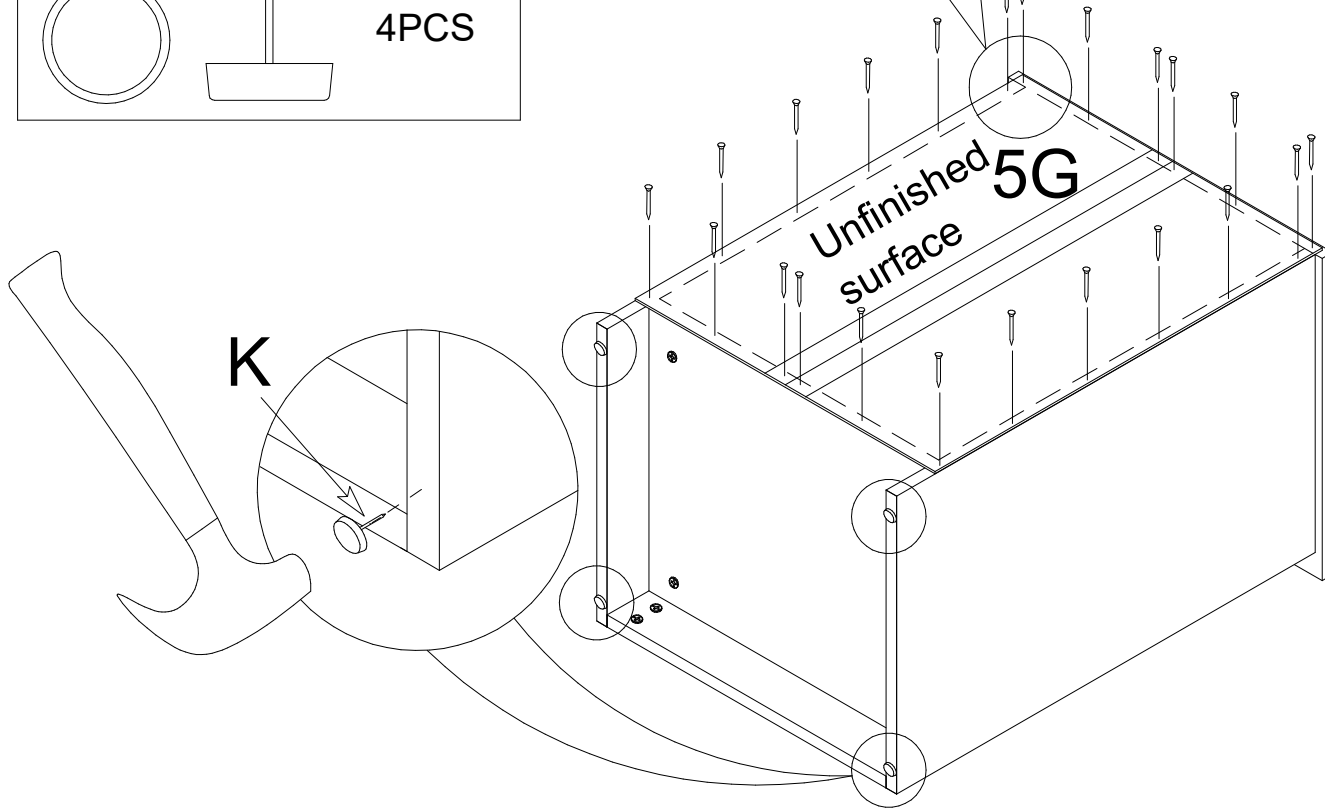
  22PCS

K-Nail Leg With Pin

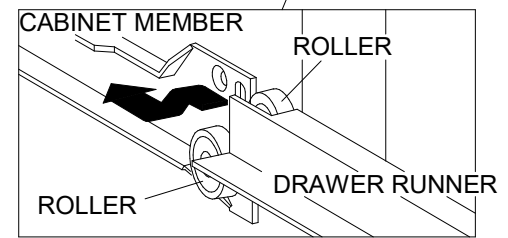
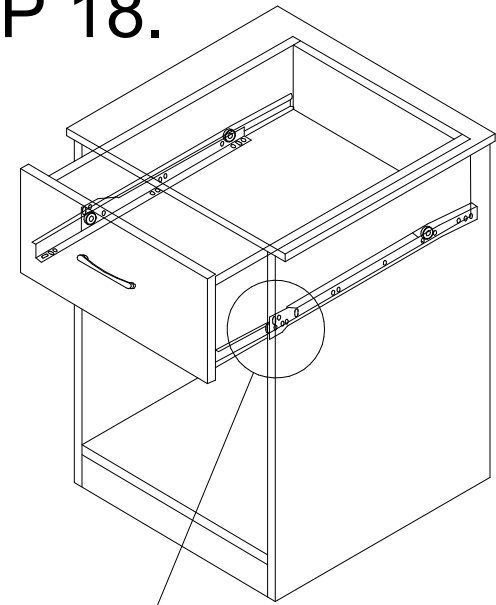
  4PCS



Please make sure unfinished surface facing upwards before hammering the nails.



STEP 18.



Put in drawer on the track.