

# *ASSEMBLY INSTRUCTIONS*



# ASSEMBLY INSTRUCTIONS

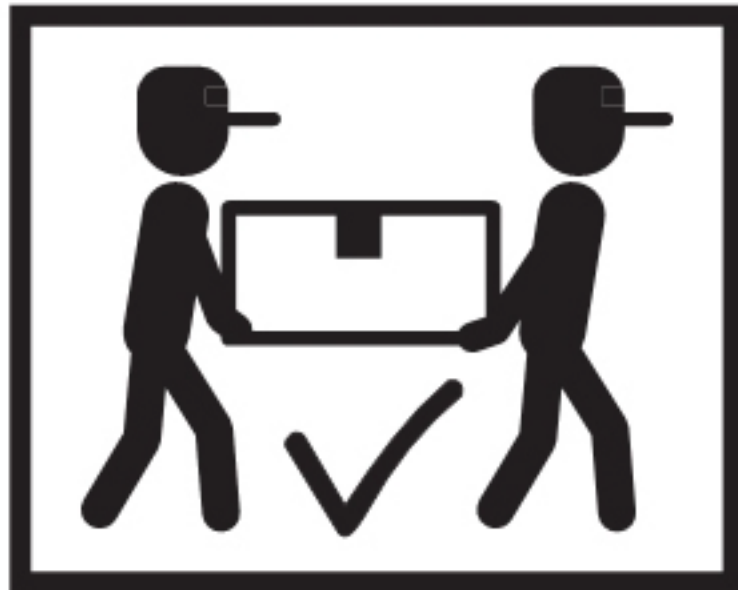
## ASSEMBLY TIPS:

1. Remove hardware from box and sort by size.
2. Please check to see that all hardware and parts are present prior to start of assembly.
3. Please follow attached instructions in the same sequence as numbered to assure fast & easy assembly.



### WARNING!

1. Don't attempt to repair or modify parts that are broken or defective. Please contact the store immediately.
2. This product is for home use only and not intended for commercial establishments.



ASSEMBLY TIME

60 MINUTES

## PARTS IDENTIFICATION

A-LSF HEADBOARD LEG		1PC	B- RSF HEADBOARD LEG		1PC
C-LSF FOOTBOARD LEG		1PC	D- RSF FOOTBOARD LEG		1PC
E-HEADBOARD		2PCS	F-RAIL 1		2PCS
G-RAIL 2		2PCS	H-SUPPORT LEG		2PCS
I-CENTER SUPPORT BAR		1PC	J-SLAT		16PCS
K-SLAT CONNECTOR		32PCS	L-FINIAL		4PCS
M-RAIL METAL JOINT		2PCS			

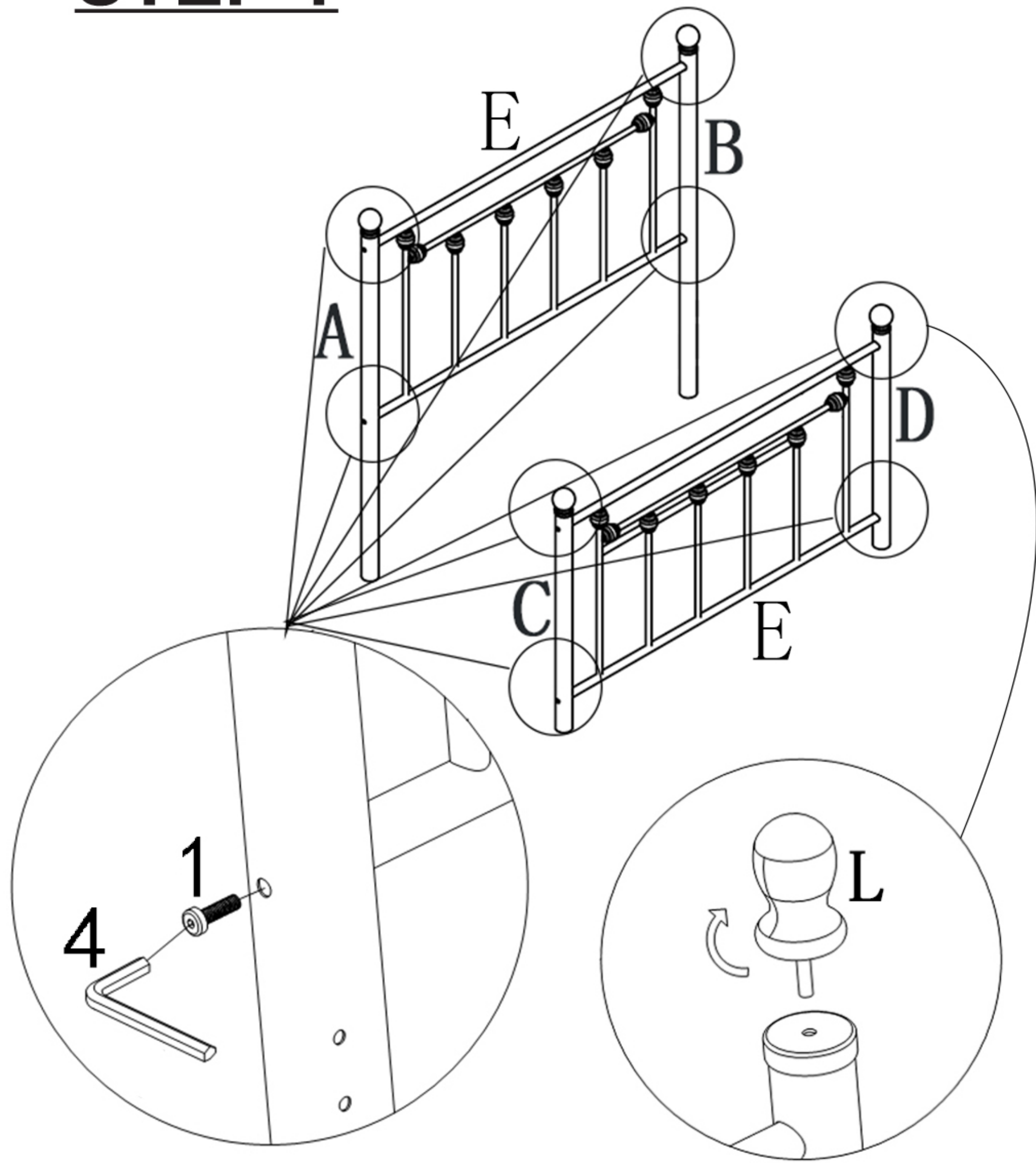
## HARDWARE IDENTIFICATION

### Z - HARDWARE

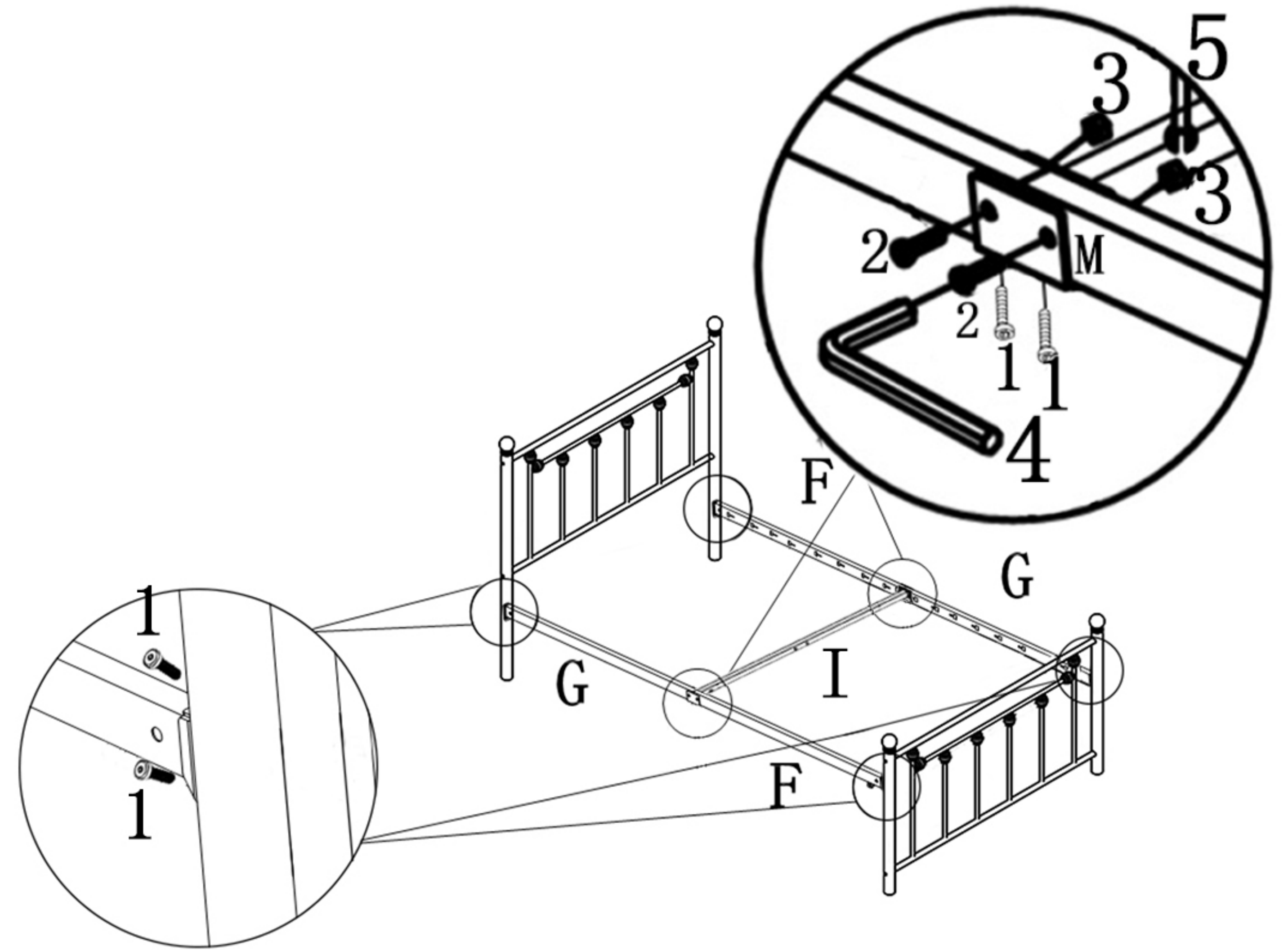
1	BOLT(Ø 1/4"x13MM)		24PCS	4	ALLEN WRENCH(1/4")		1PC
2	BOLT(Ø 1/4"x36MM)		4PCS	5	OPEN WRENCH(1/4")		1PC
3	BOLT(Ø 1/4")		4PCS				

# ASSEMBLY INSTRUCTIONS

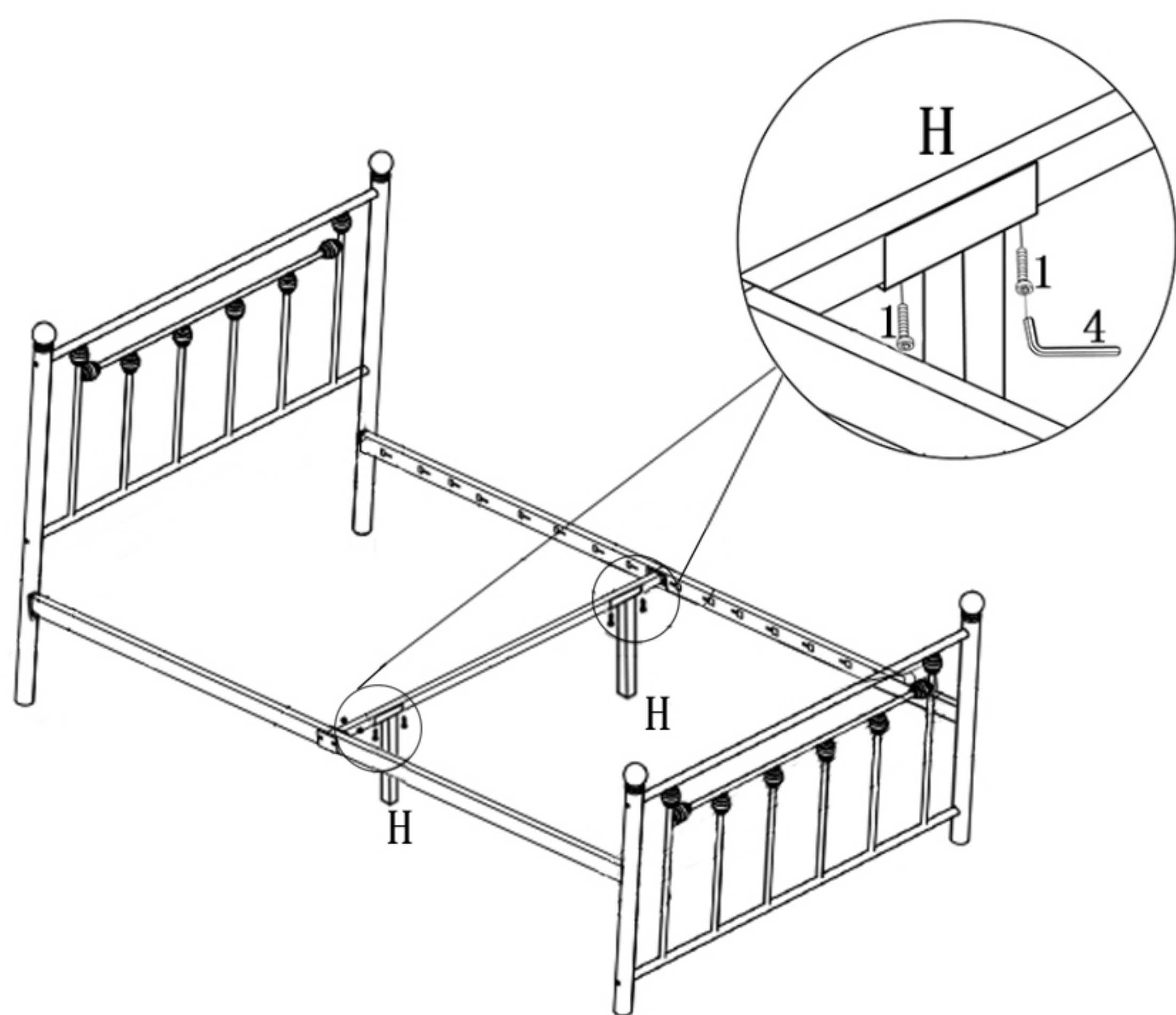
## STEP 1



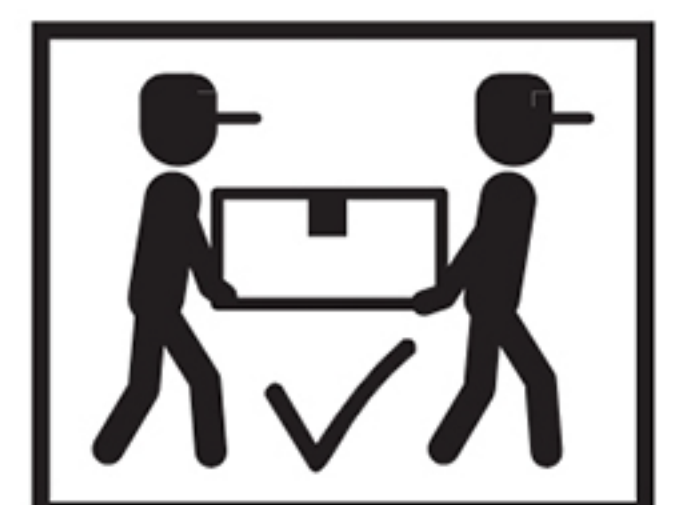
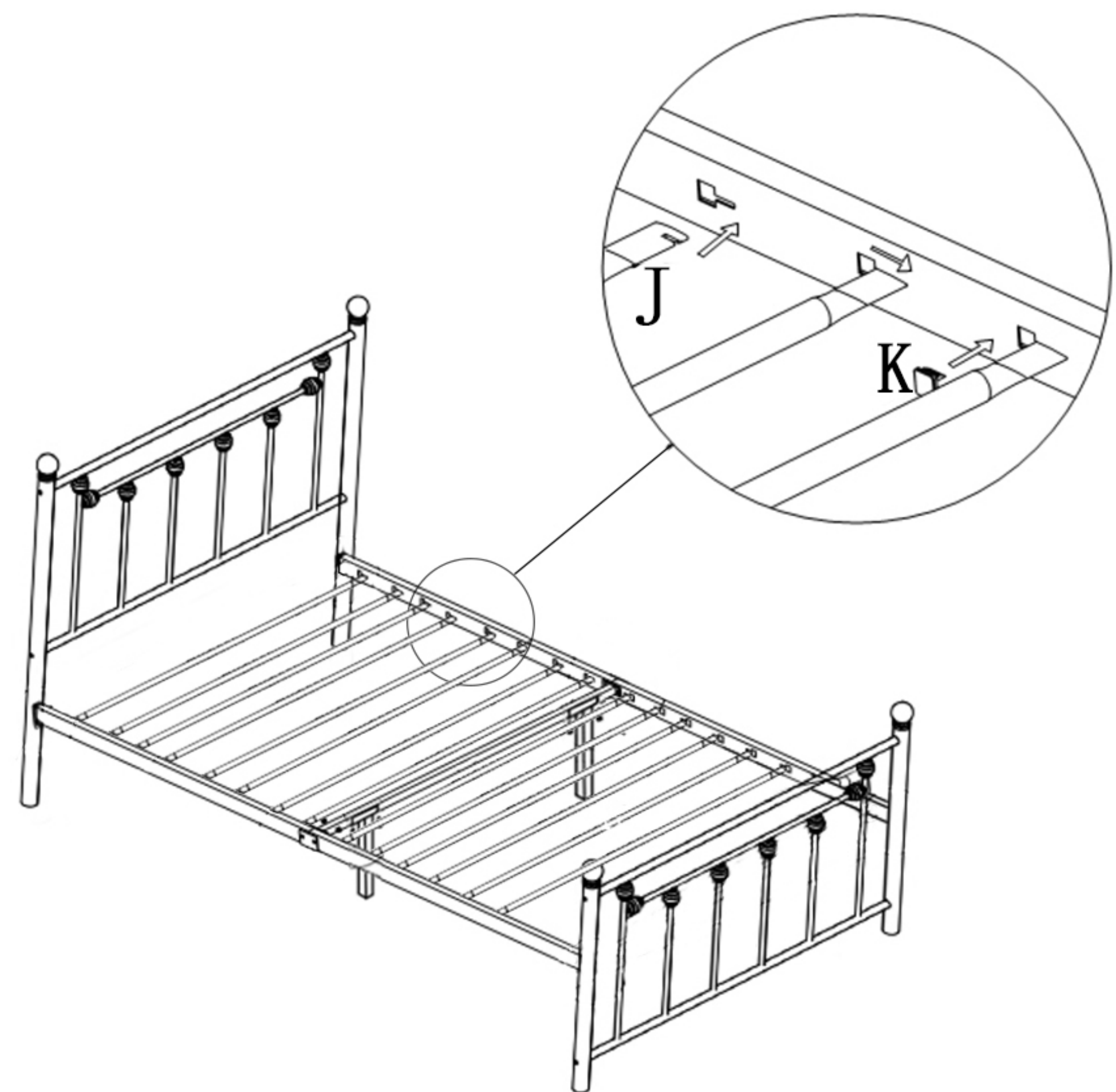
## STEP 2



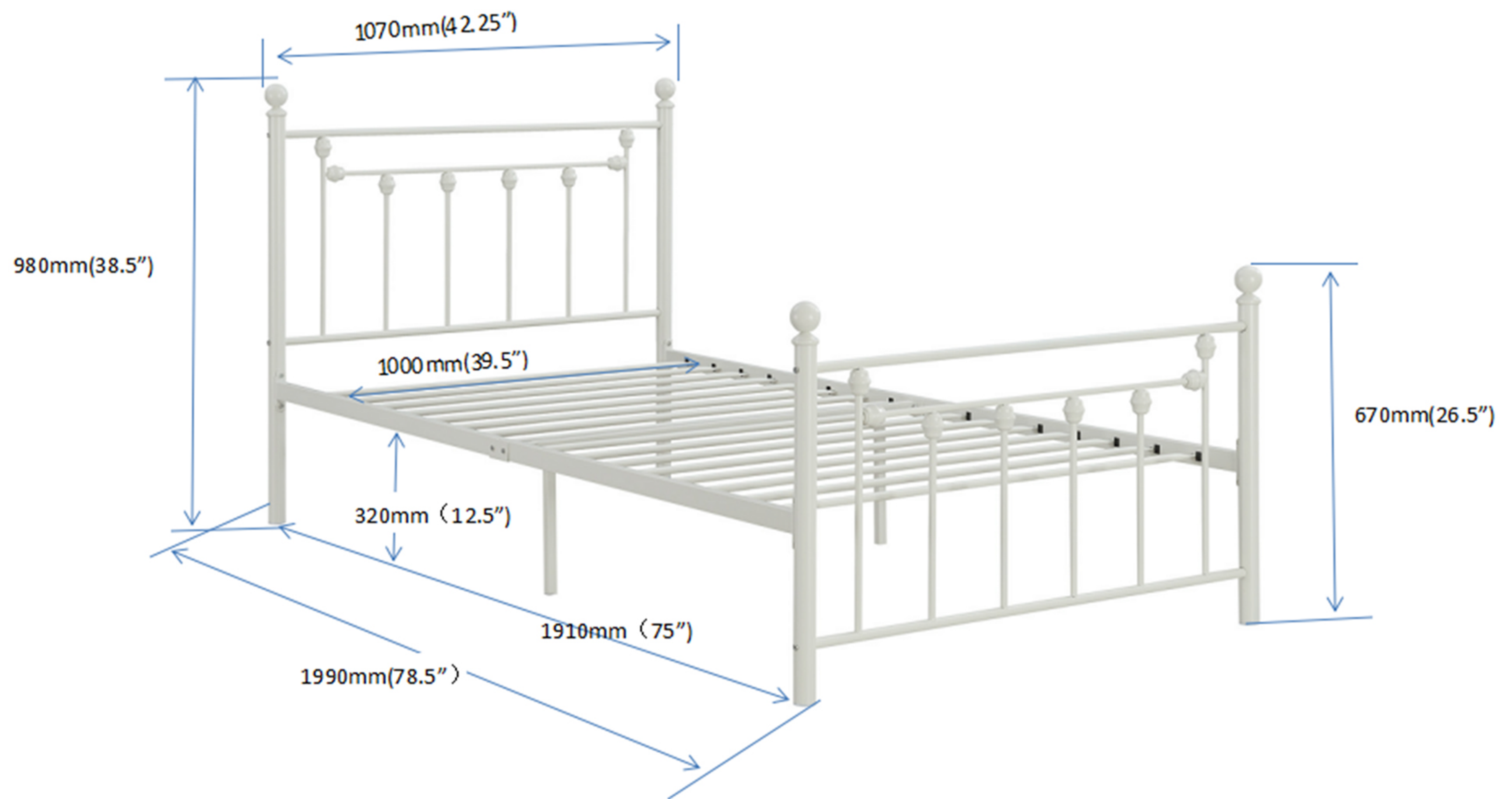
## STEP 3



## STEP 4



# ASSEMBLY INSTRUCTIONS



Note : Dimension tolerance  $\pm 5\%$