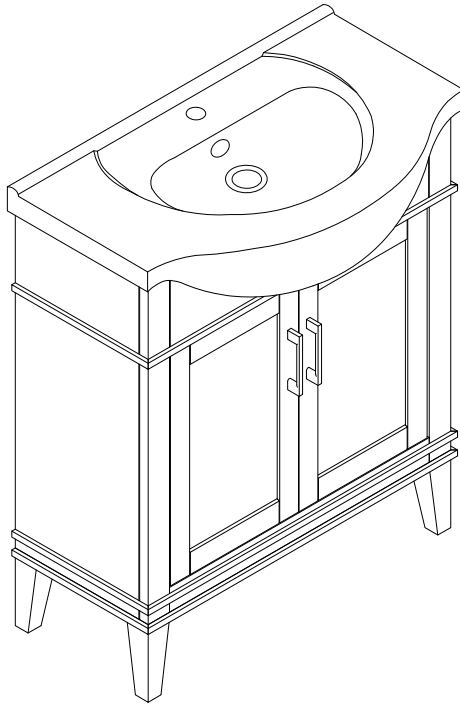


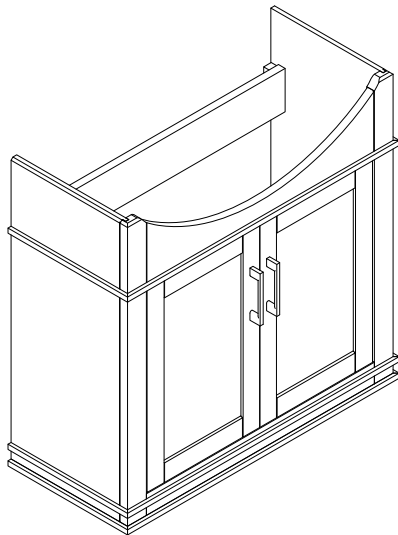
# Assembly Instructions Ivy H€"



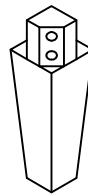
Thank you for purchasing this quality product. Please ensure to check all parts and hardware in below list. If item(s) are missing, please report to your retailer.

We value your feedback. Please take time to leave us a review about your experience.

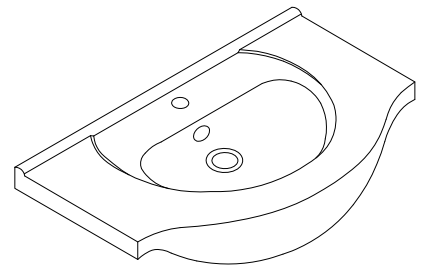
## Parts List



**A** x 1



**B** x 4



**C** x 1

## Hardware

(H1) x 8  
Bolt 1/4" x 45mm



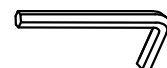
(H2) x 8  
Lock Washer



(H3) x 8  
Flat Washer

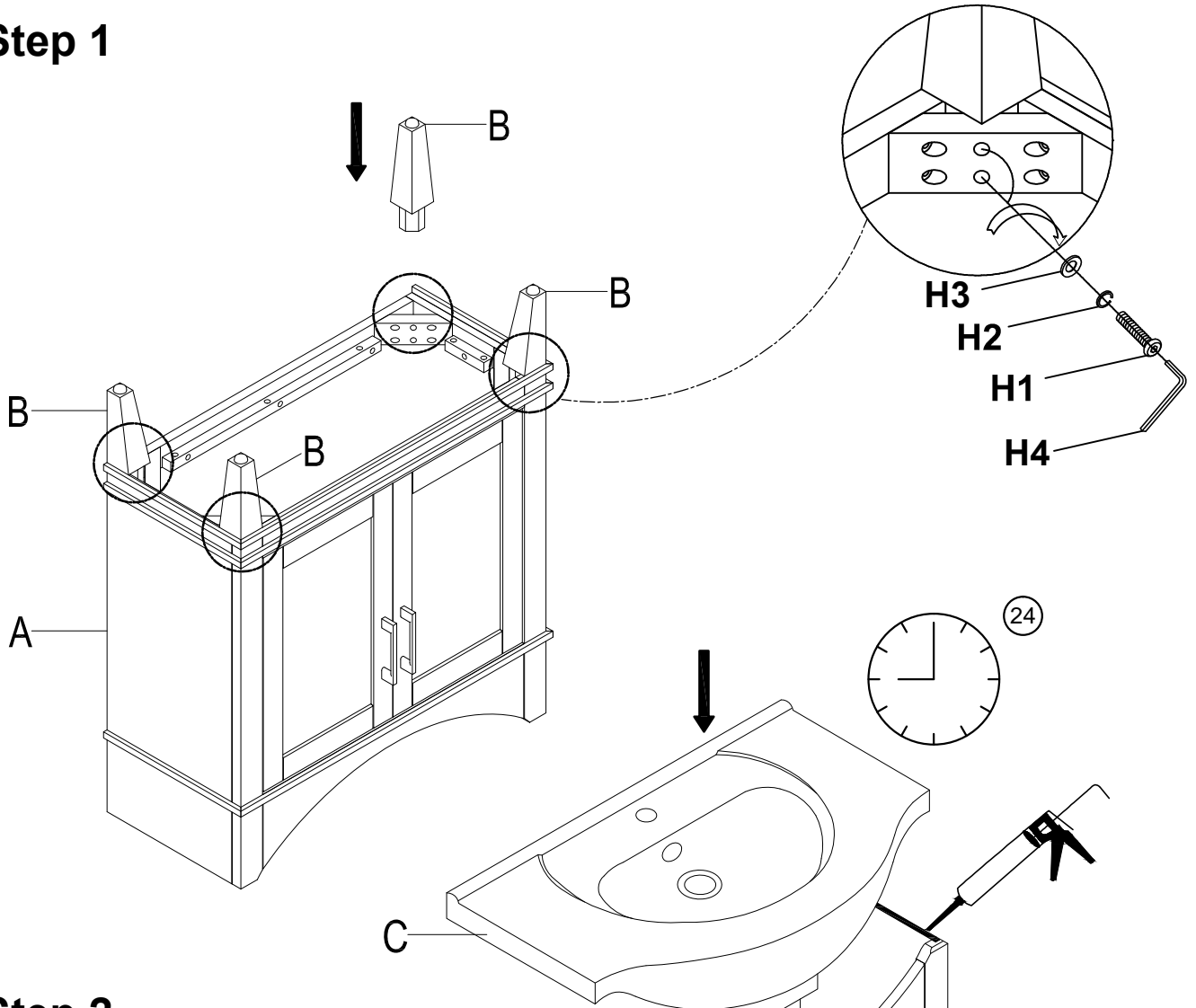


(H4) x 1  
Allen Wrench



# Assembly Instructions Ivy H€"

## Step 1



## Step 2

