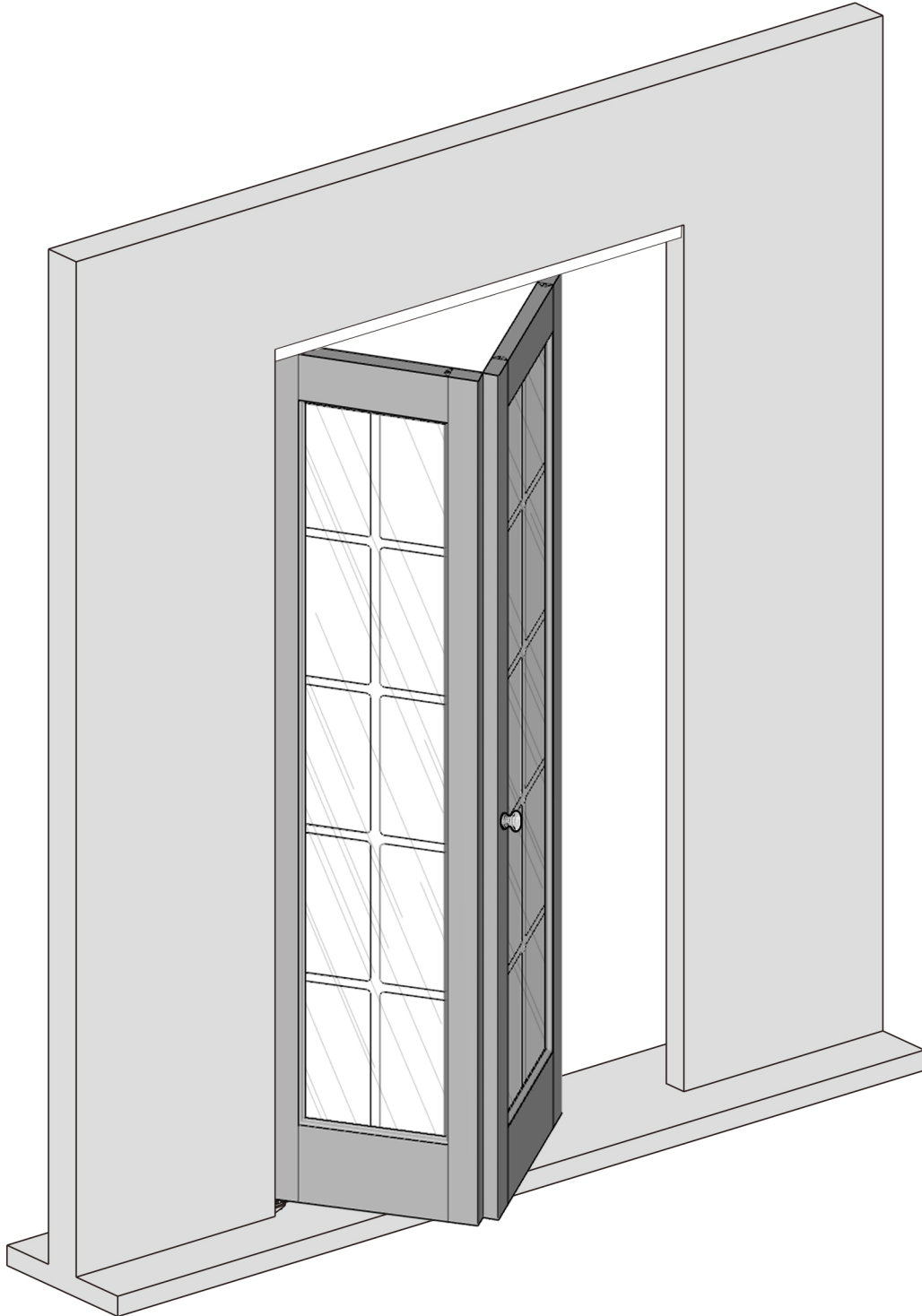


Installation Manual

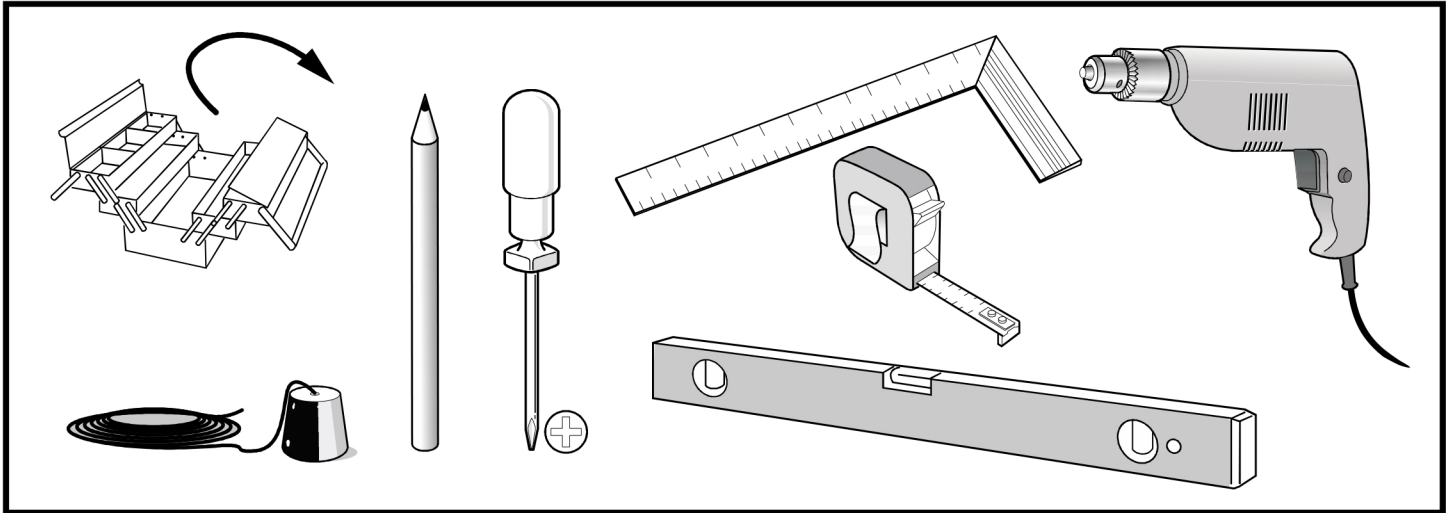
Please note we are always ready to support you. Don't hesitate to contact us when you have any questions, we will try our best to resolve your issue ASAP.

(yoursupport@163.com)

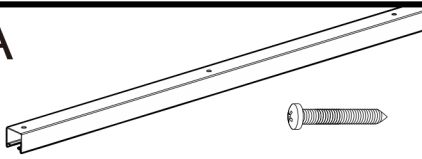
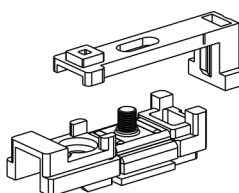
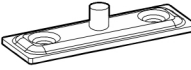
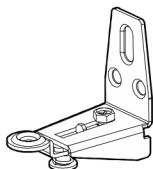
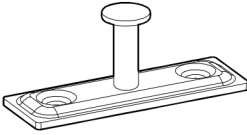
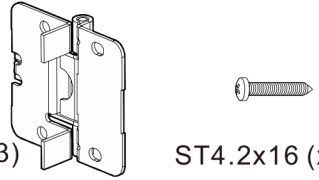
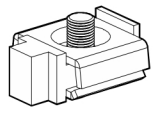
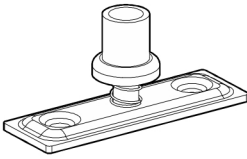
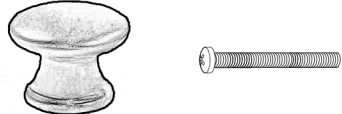
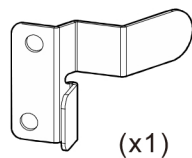
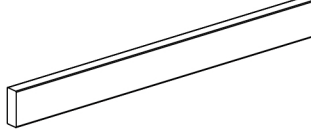



Pre-installation

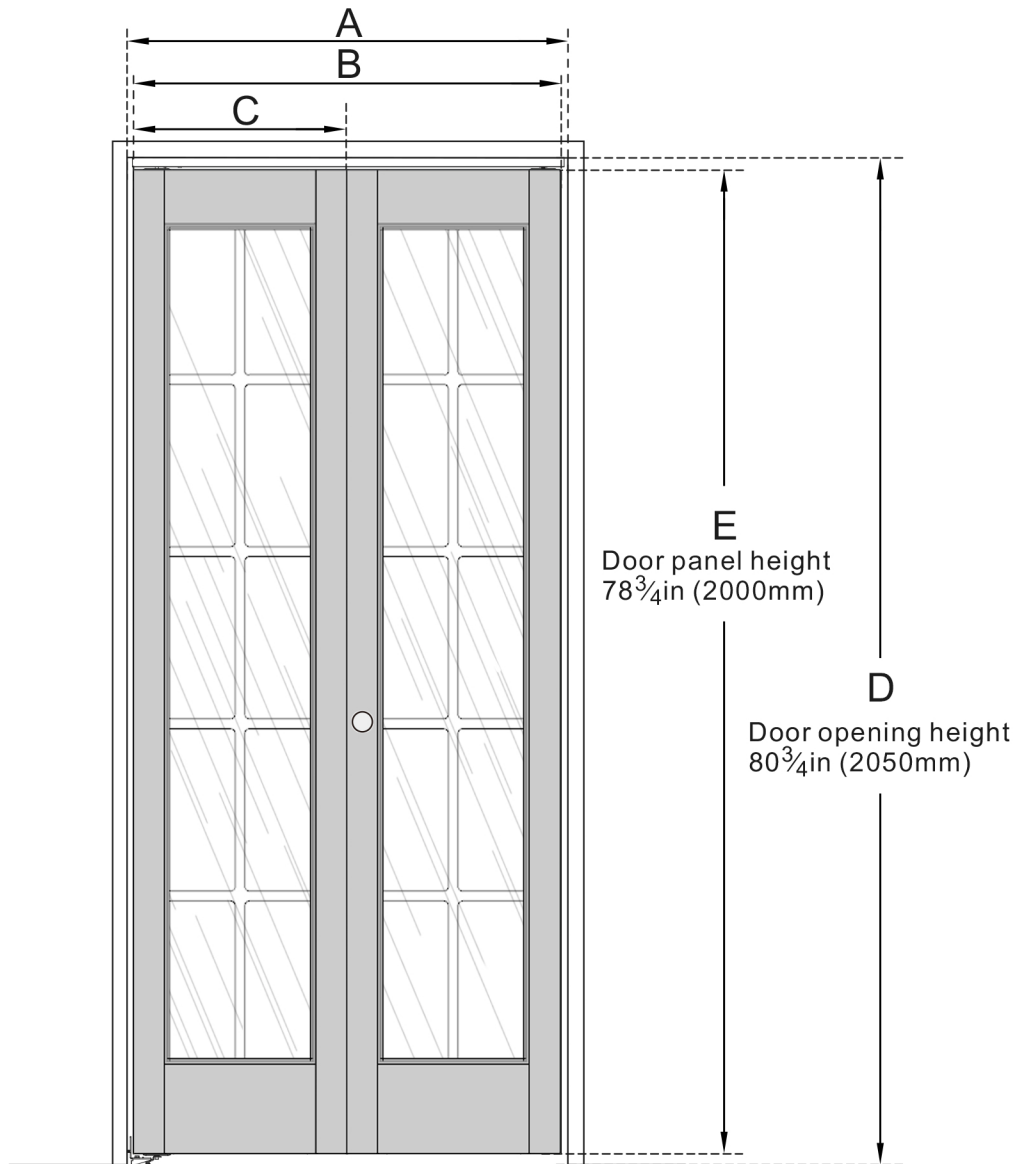
TOOLS REQUIRED



HARDWARE INCLUDED

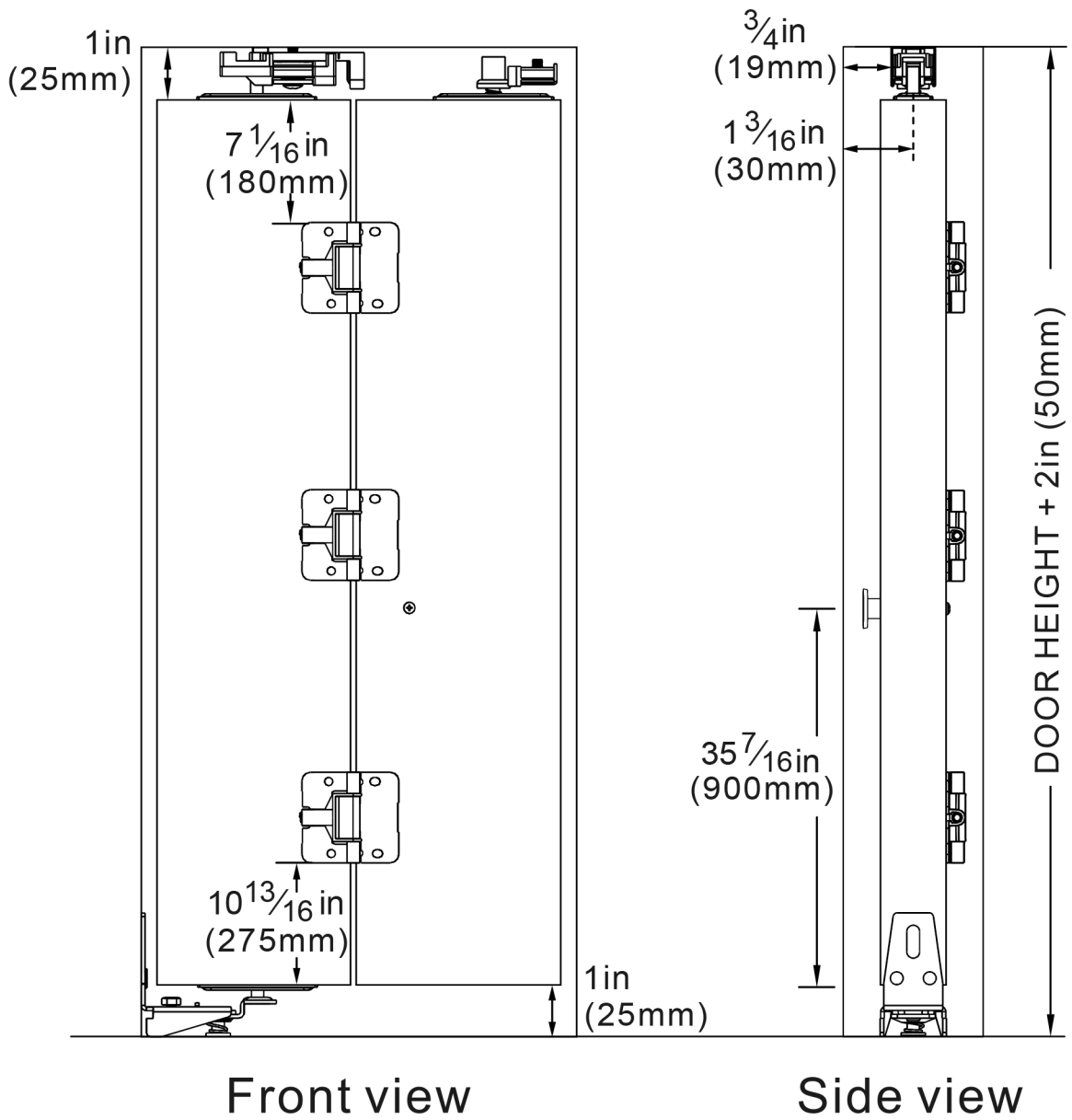
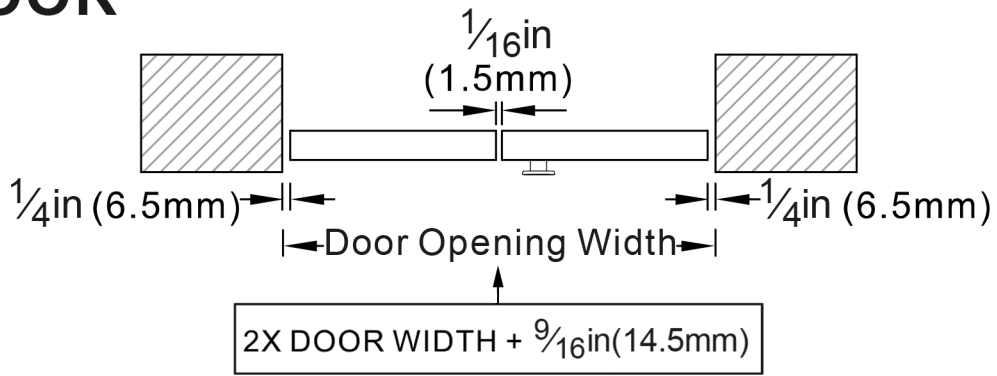
<p>A</p>  <p>(x1) ST4.2x32</p>	<p>B</p>  <p>(x1)</p>	<p>C</p>  <p>(x1)</p>
<p>D</p>  <p>(x1)</p>	<p>E</p>  <p>(x1)</p>	<p>F</p>  <p>(x3) ST4.2x16 (x12)</p>
<p>G</p>  <p>(x1)</p>	<p>H</p>  <p>(x1)</p>	<p>I</p>  <p>(x1) ST4x45 (x1)</p>
<p>J</p>  <p>(x1) ST4.2x16 (x2)</p> <p>Only for 4 door</p>	<p>K</p>  <p>(x1)</p>	 <p>(x1) ST4.2x25 (x9)</p>

Installation



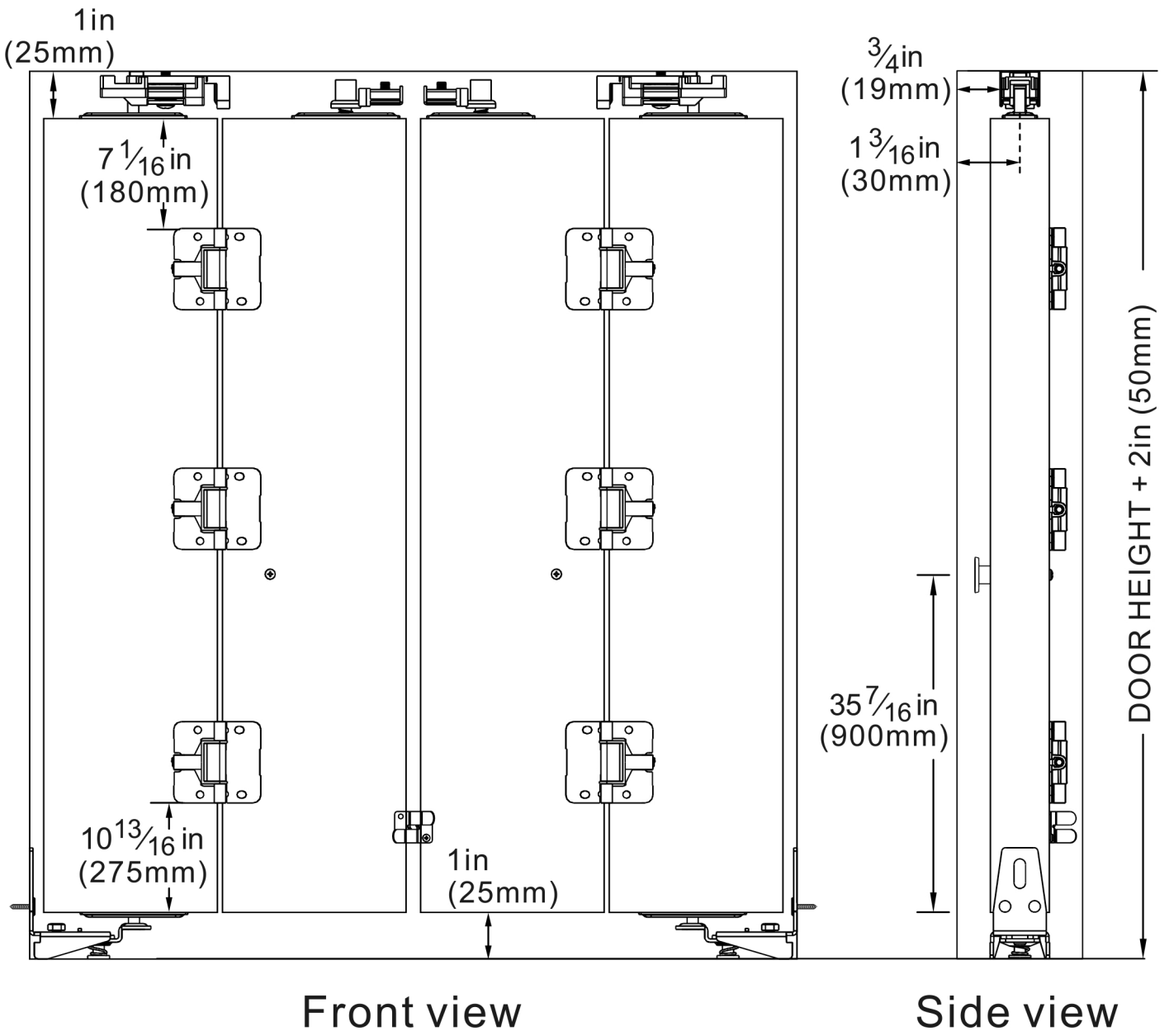
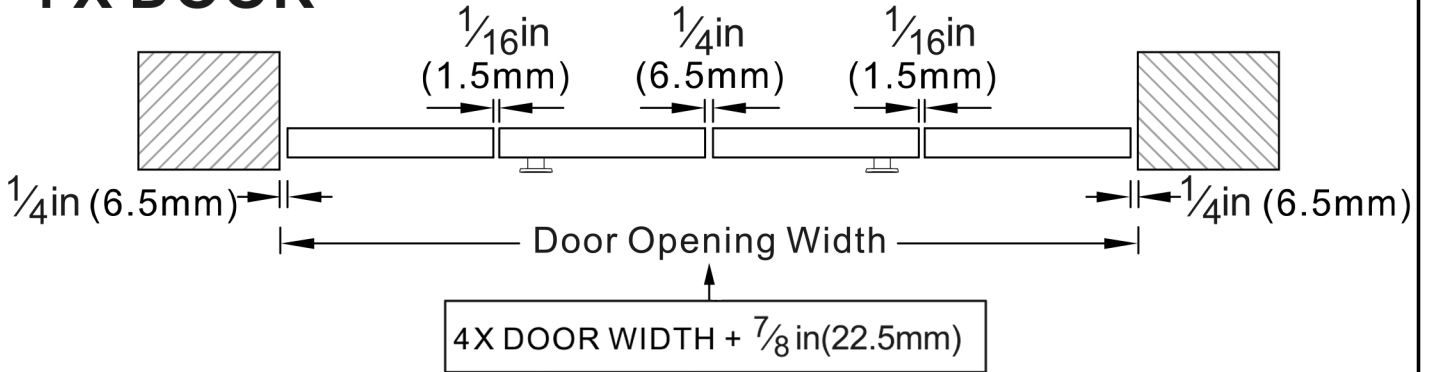
Option Size	A Door Opening Width	B Door Panel Width	C Single Door Panel Width	D Door Opening Height	E Door Panel Height
24in * 78 ³ / ₄ in	24in	23 ¹ / ₂ in	11 ³ / ₄ in	80 ³ / ₄ in	78 ³ / ₄ in
30in * 78 ³ / ₄ in	30in	29 ¹ / ₂ in	14 ³ / ₄ in	80 ³ / ₄ in	78 ³ / ₄ in
36in * 78 ³ / ₄ in	36in	35 ¹ / ₂ in	17 ³ / ₄ in	80 ³ / ₄ in	78 ³ / ₄ in

2 X DOOR

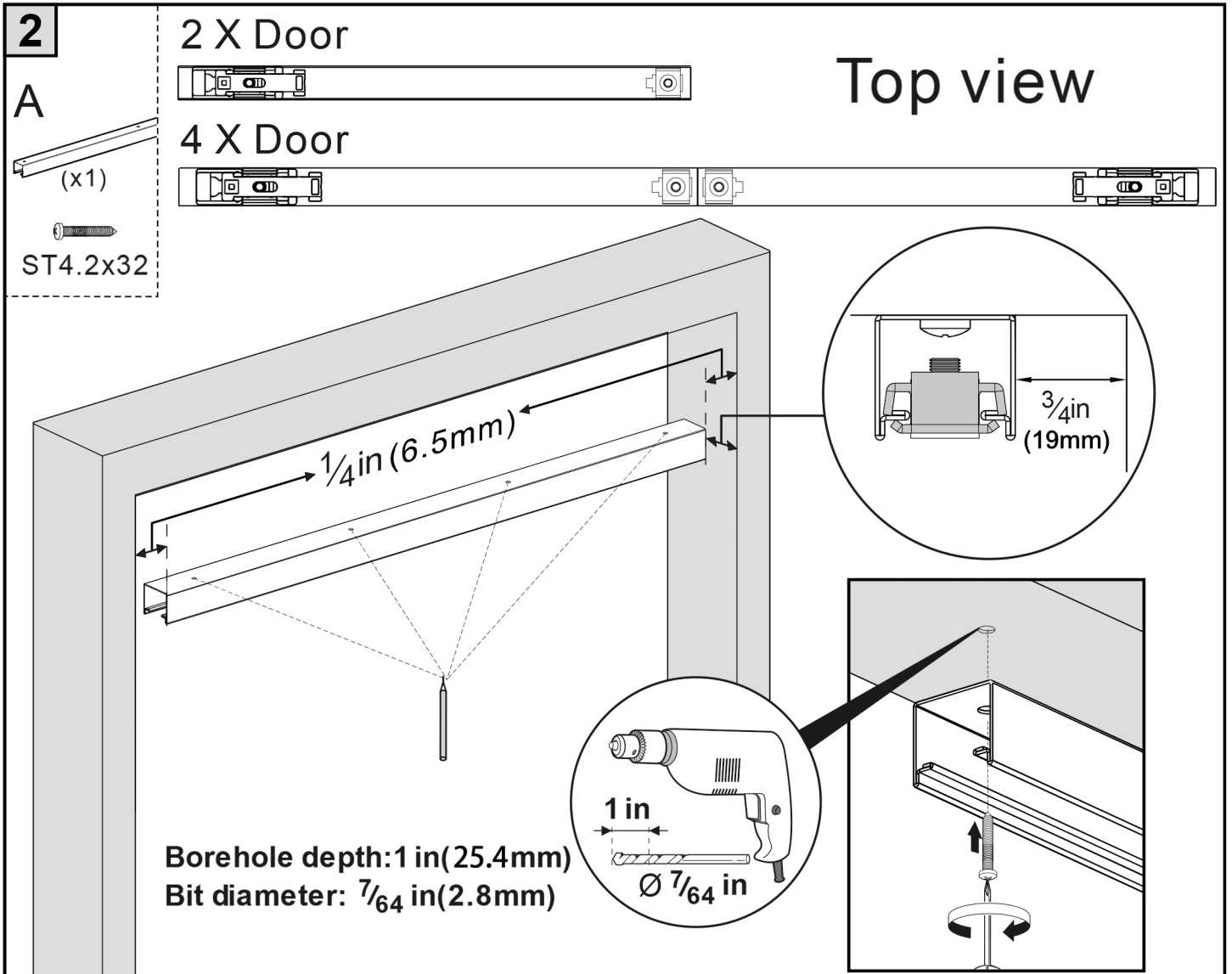
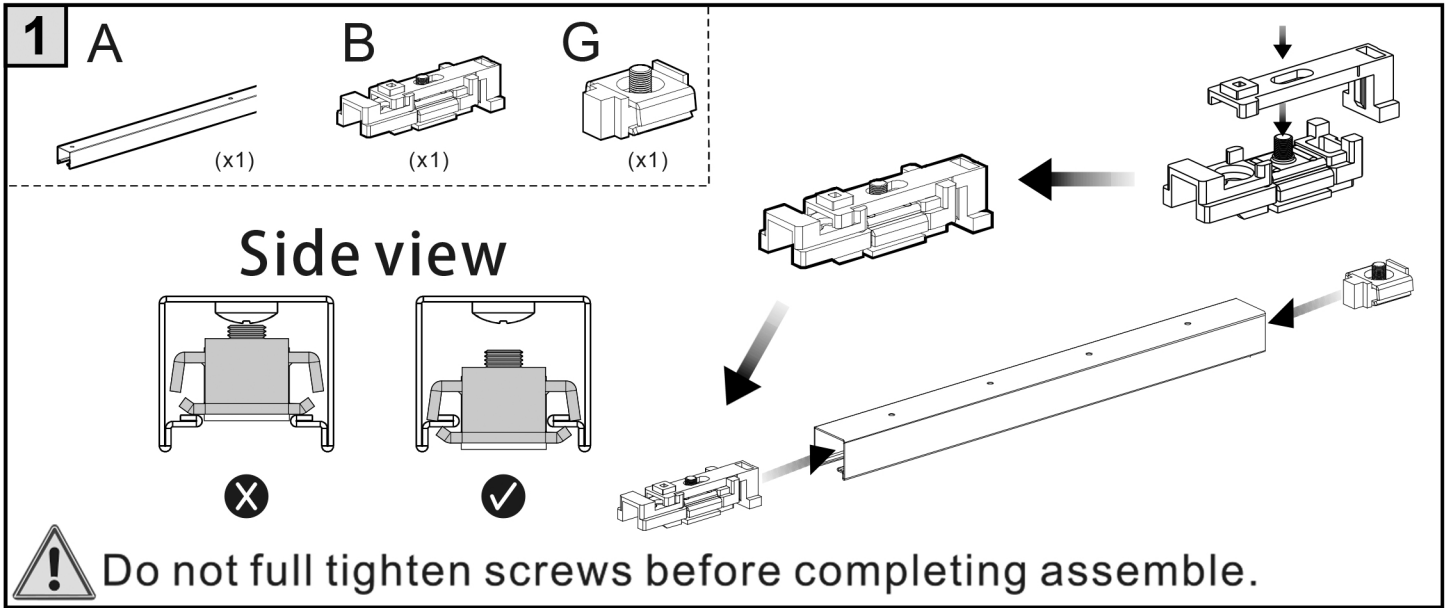


Installation

4 X DOOR

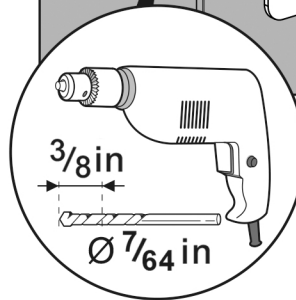
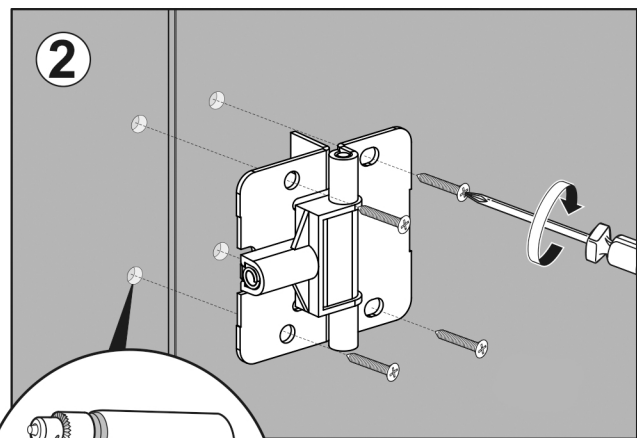
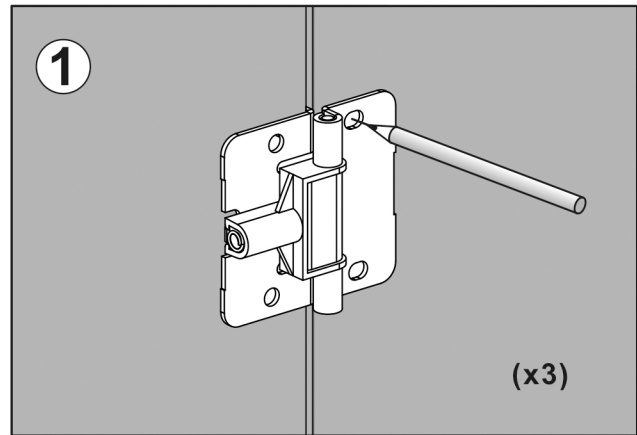
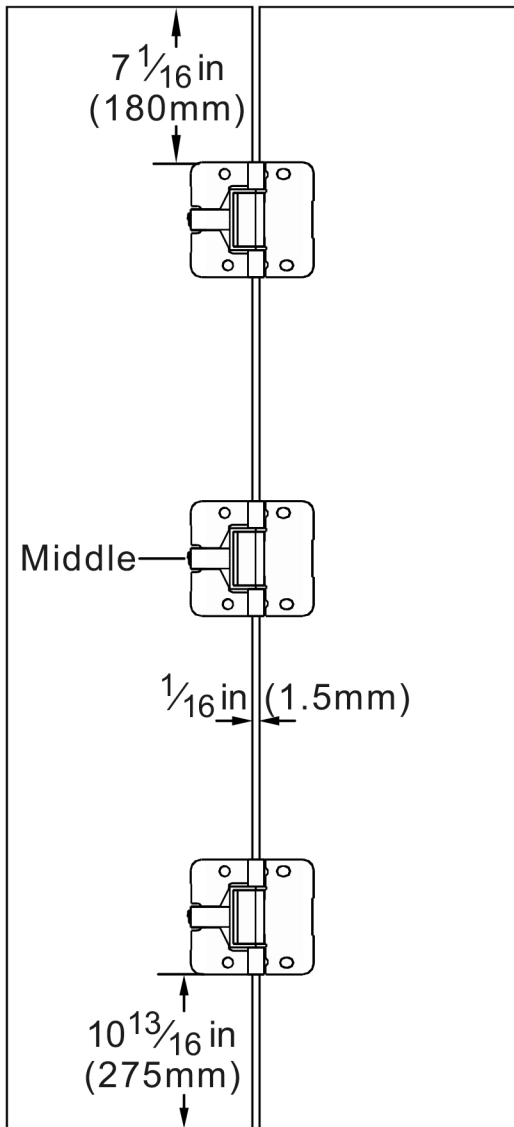
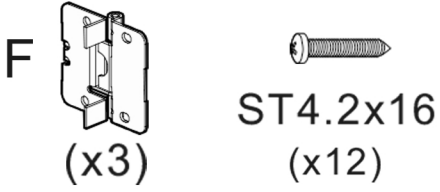


Installation



Installation

3

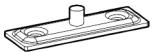


Borehole depth: 3/8 in (10mm)
Bit diameter: 7/64 in (2.8mm)

Installation

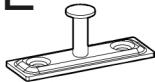
4

C



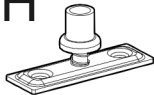
(x1)

E



(x1)

H



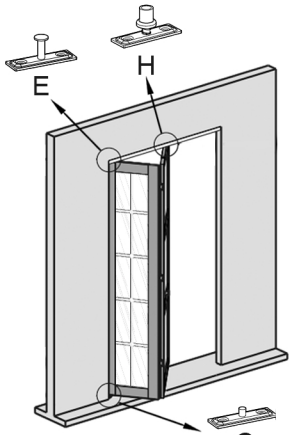
(x1)

ST4.2x25

(x6)

2 X DOOR

LEFT HAND SWING

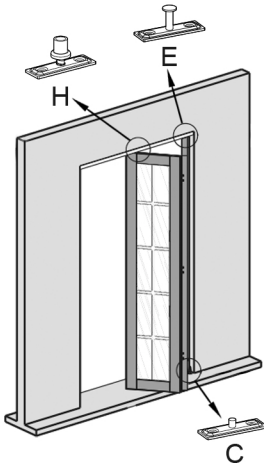


TOP OF DOOR



BOTTOM OF DOOR

RIGHT HAND SWING



TOP OF DOOR



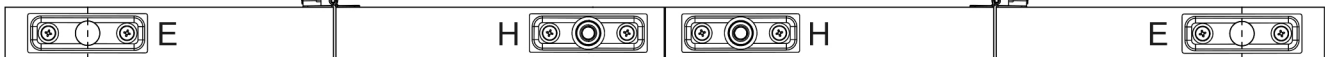
BOTTOM OF DOOR

Install pivot plates to top and bottom of door panel as shown.

4 X DOOR

LEFT HAND SWING

TOP OF DOOR



BOTTOM OF DOOR

RIGHT HAND SWING

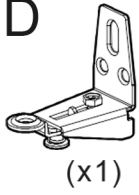


BOTTOM OF DOOR

Installation

5

D

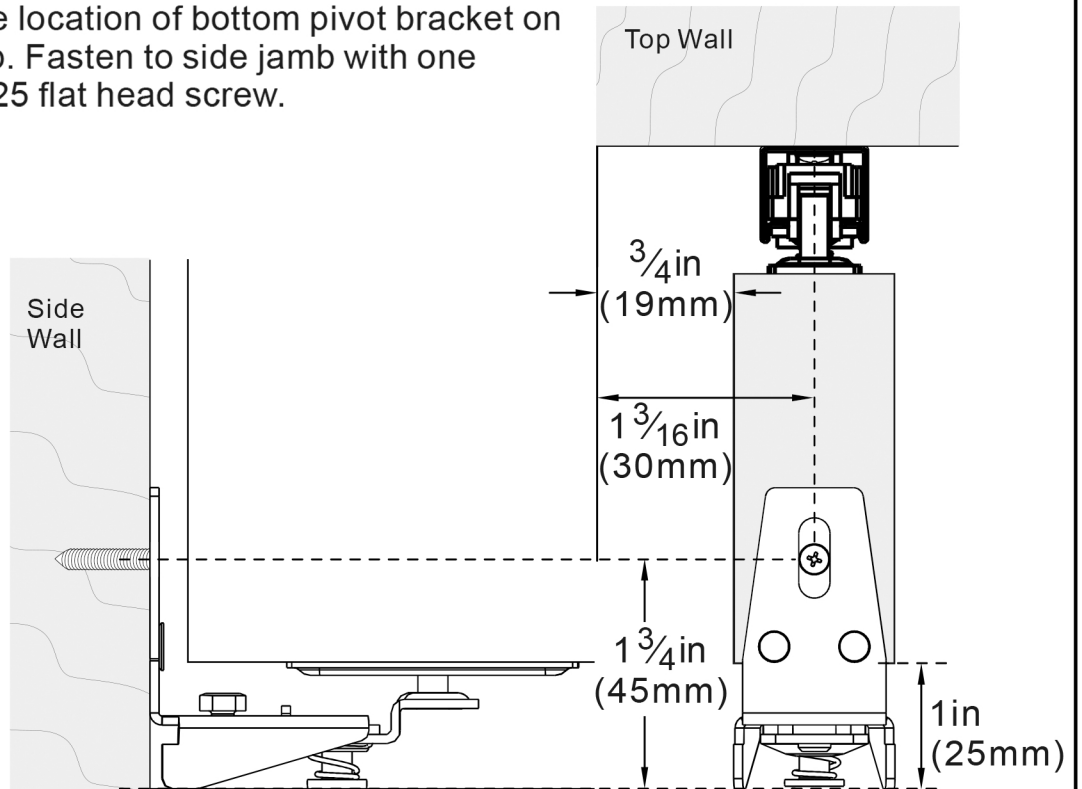


(x1)

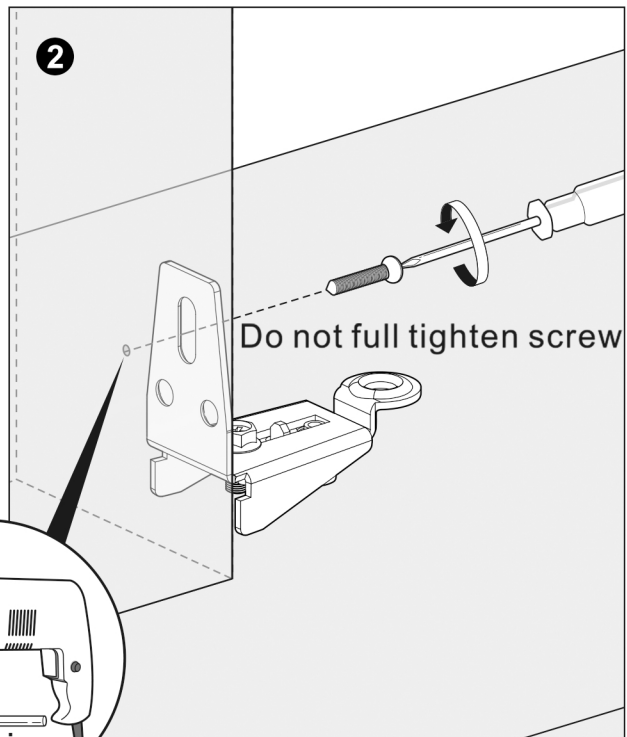
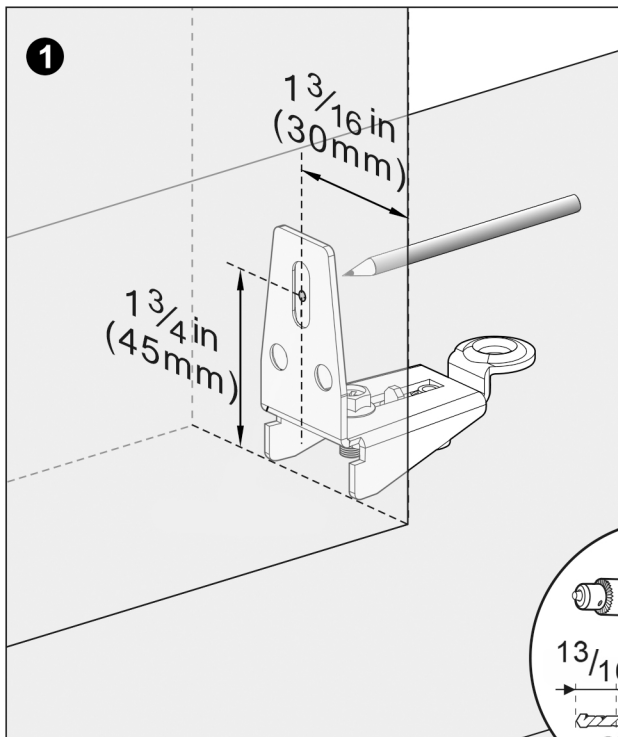


ST4.2x25
(x1)

Mark hole location of bottom pivot bracket on side jamb. Fasten to side jamb with one ST4.2 X 25 flat head screw.



Only top screw first, and please do not screws full tighten, it need adjustment height refers step 6.



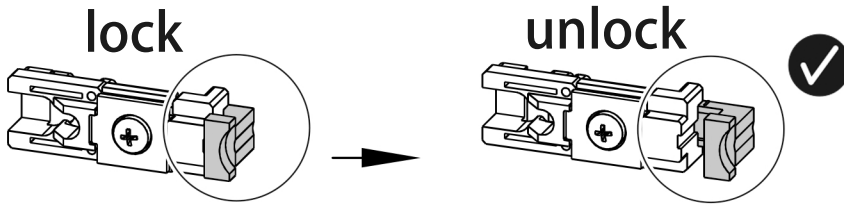
Borehole depth: $1\frac{3}{16}$ in (20mm)
Bit diameter: $\frac{7}{64}$ in (2.8mm)

Installation

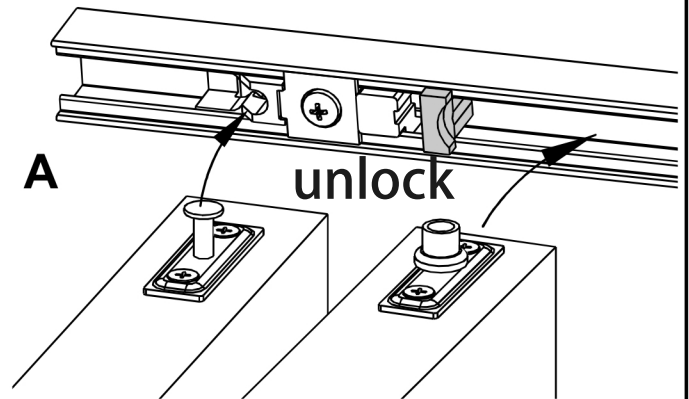
6

ST4.2x25
(x2)

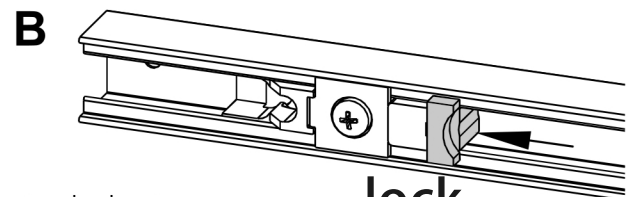
Ensure track bracket lock is in the unlocked position.



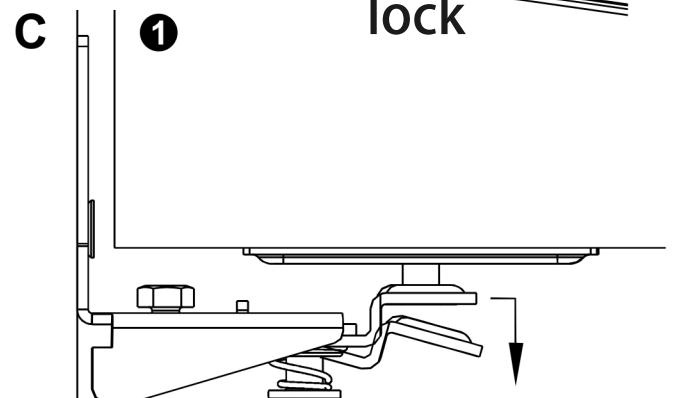
(A) Fold door and place panel guide into track. Insert top pivot pin into receptor of track bracket lock and firmly seated.



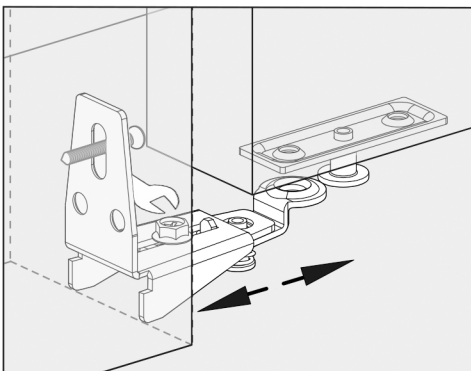
(B) Slide tab lock toward pin so that door panel is hanging from top pivot pin.



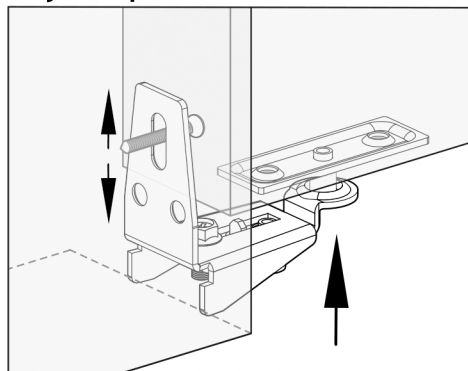
(C) Depress bottom pivot bracket socket arm and insert bottom pivot pin. Secure bottom pivot bracket with other 2 screws. Use a wrench for horizontal adjustment through track bracket lock and bottom pivot bracket.



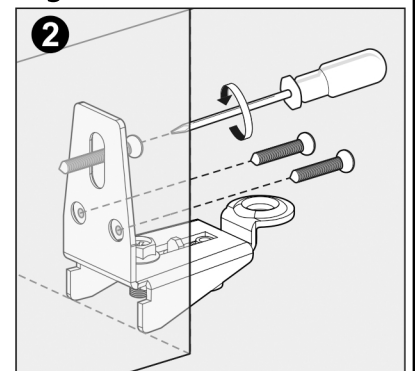
Adjust left and right



Adjust up and down



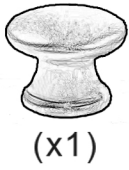
Tighten screws



Installation

7

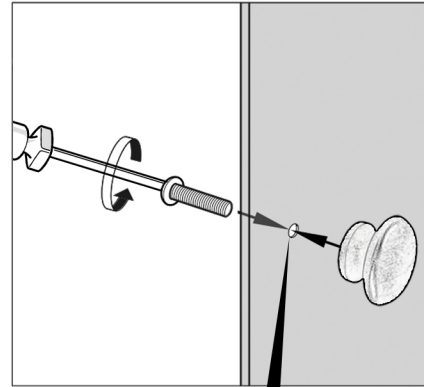
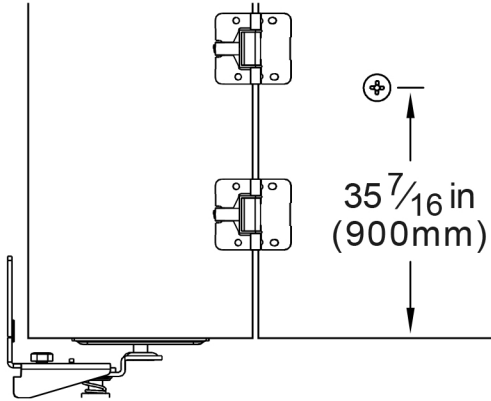
Install door pull.



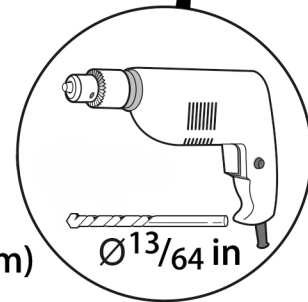
(x1)



ST4x45
(x1)

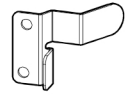


Drill out a hole
Bit diameter: $\frac{13}{64}$ in (5mm)



8

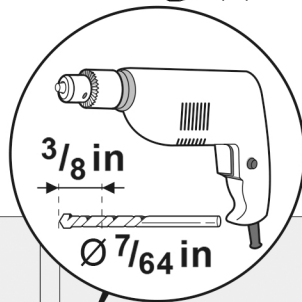
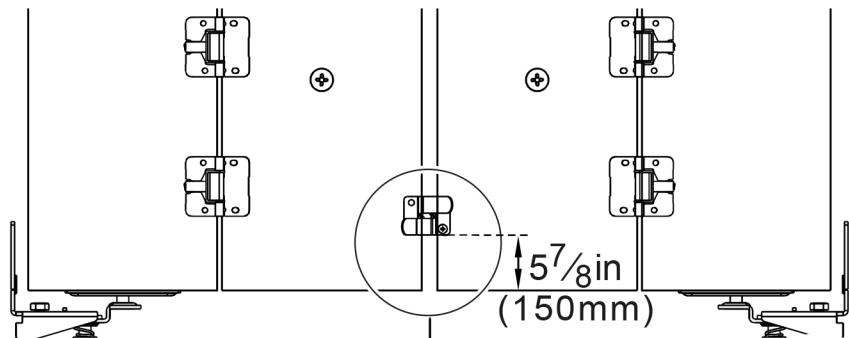
Mount aligner on back side of lead doors.
(4 door sets only)



(x2)

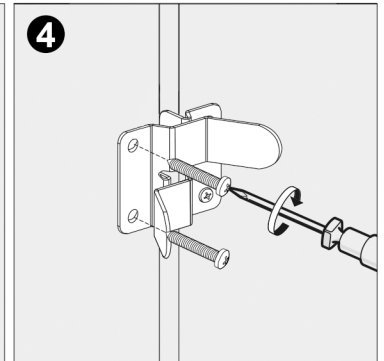
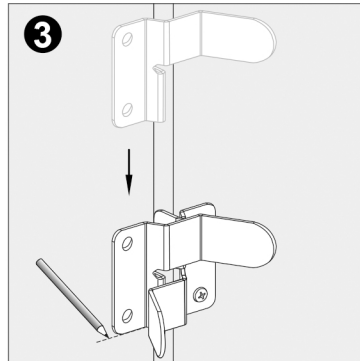
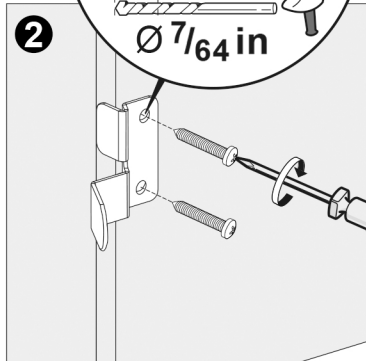
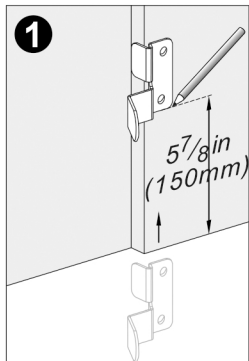


ST4.2x16 (x4)



Borehole depth: $\frac{3}{8}$ in (10mm)

Bit diameter: $\frac{7}{64}$ in (2.8mm)

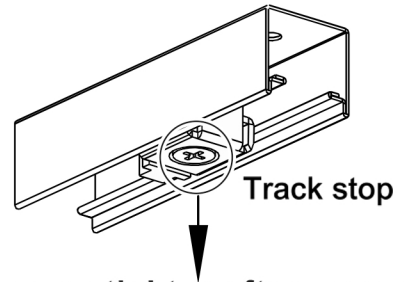


Installation

9

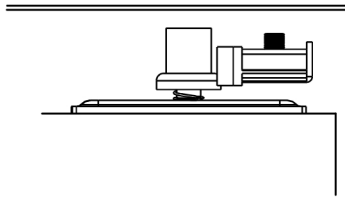
Adjust track stop

Close doors, slide track stop until it touches panel guide. Then open doors, move track closer to panel guide and tighten. Doors should "snap" shut yet open easily by a slight pull on the pull.

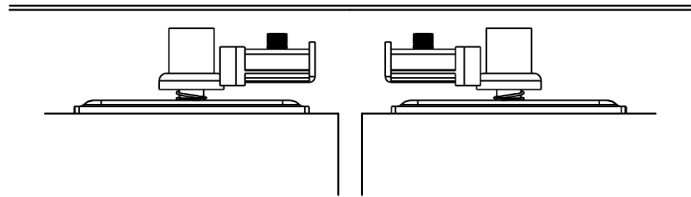


Please screws tighten after completing assemble

2 Door



4 Door



10

K

