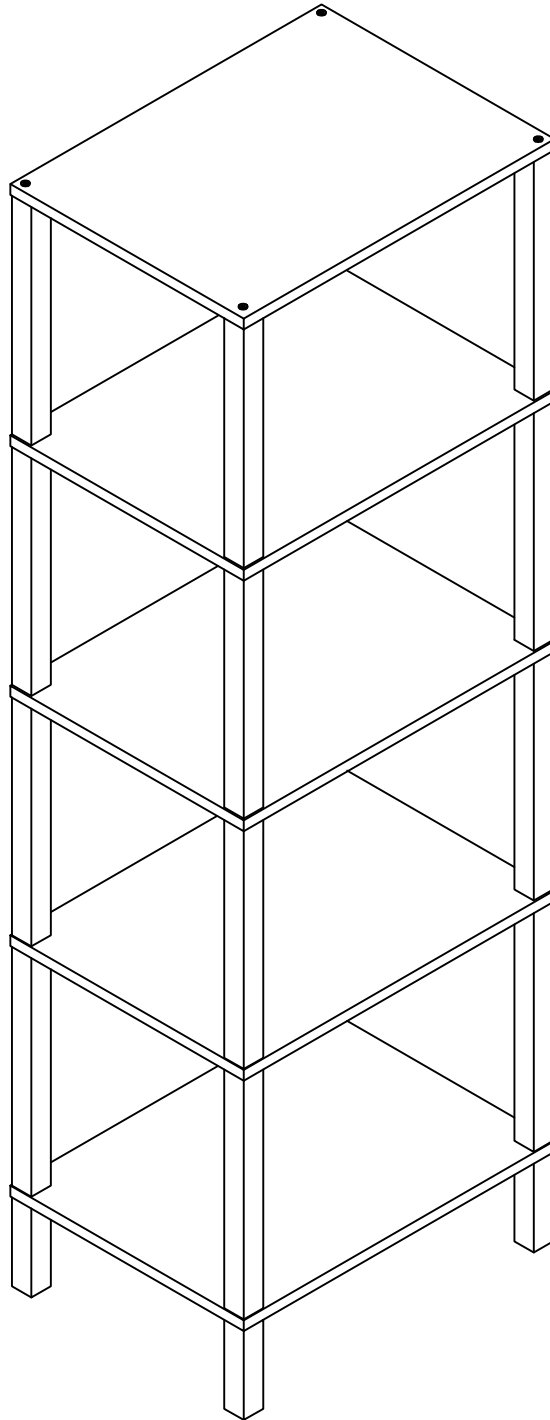
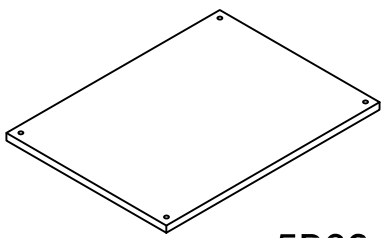
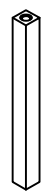
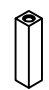






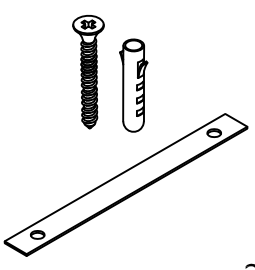
Assembly Instructions



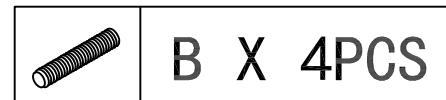
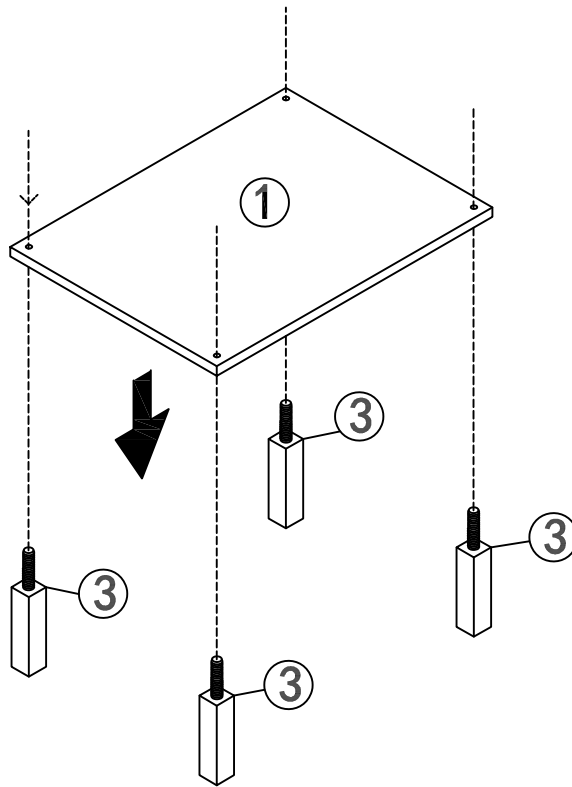
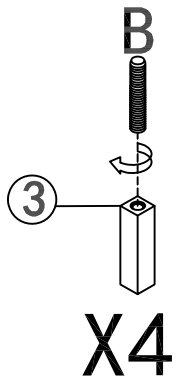
PART LIST

<p>①</p>  <p>5PCS</p>	<p>②</p>  <p>16PCS</p>	<p>③</p>  <p>4PCS</p>
--	---	--

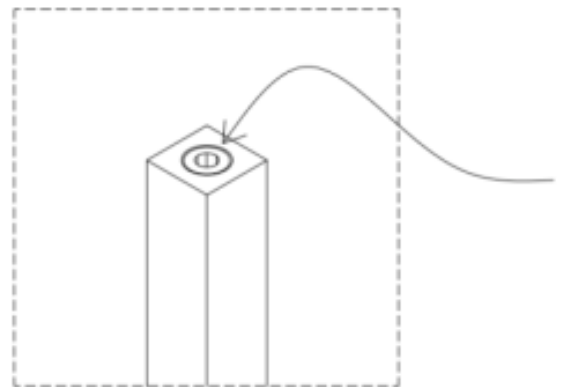
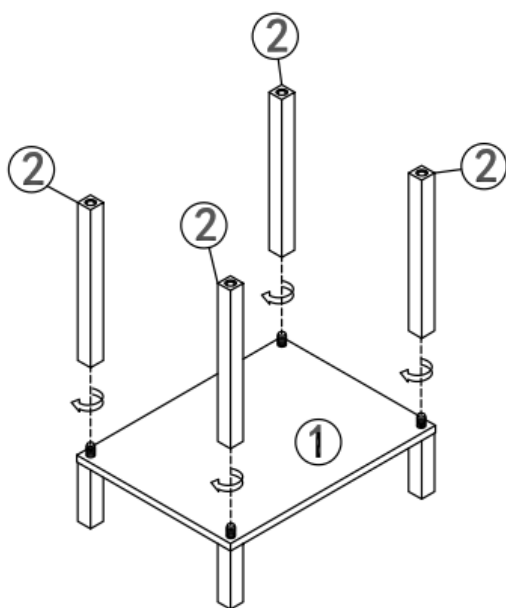
HARDWARE LIST

<p>A</p>  <p>M6X28</p> <p>4PCS</p>	<p>B</p>  <p>M6X48</p> <p>(16+1)PCS</p>	<p>C</p>  <p>4PCS</p>
 <p>4mm</p> <p>1PCS</p>	<p>V</p>  <p>2PCS</p>	

STEP 1

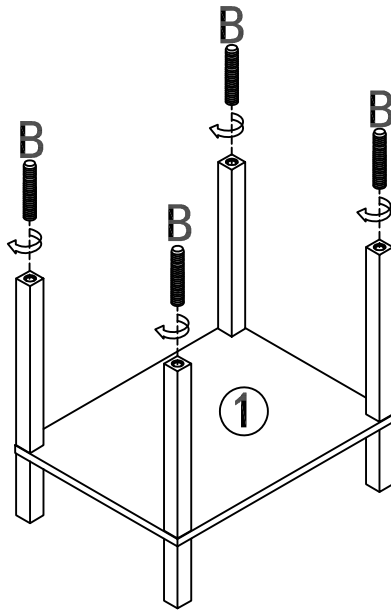


STEP 2

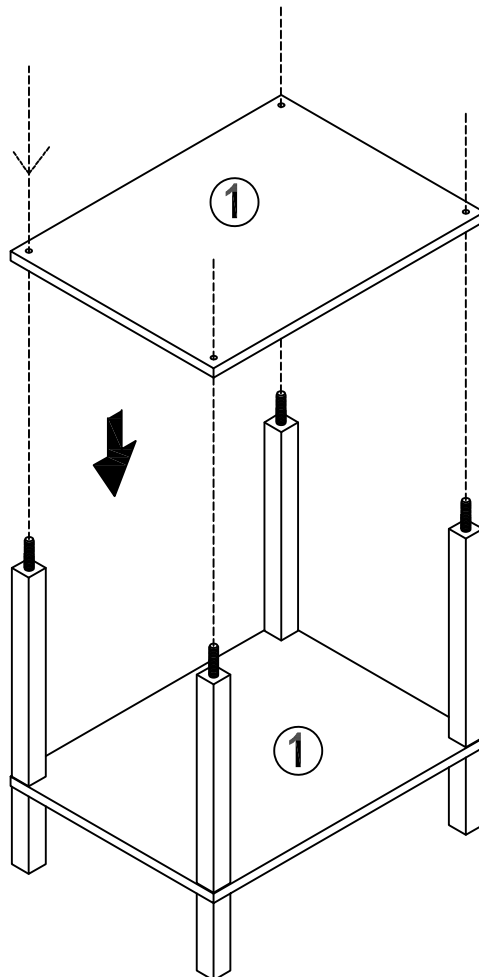


Note: When connecting the support legs, do not apply excessive force to prevent the screw holes from cracking.

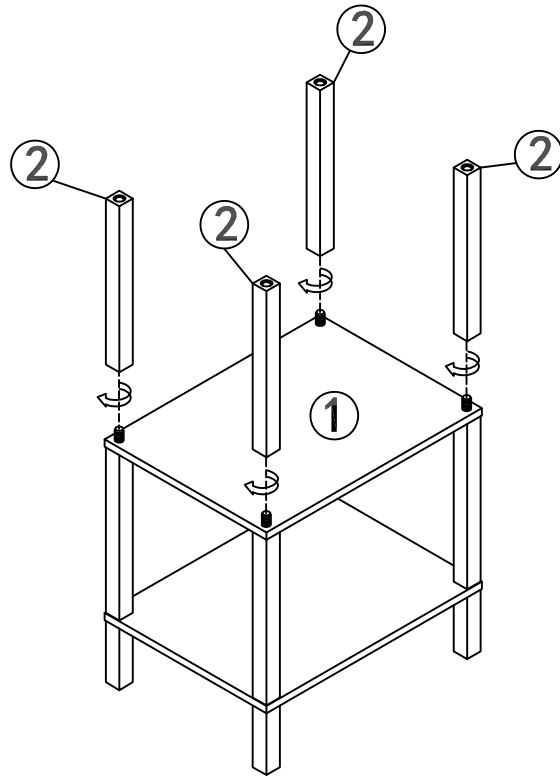
STEP 3



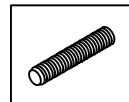
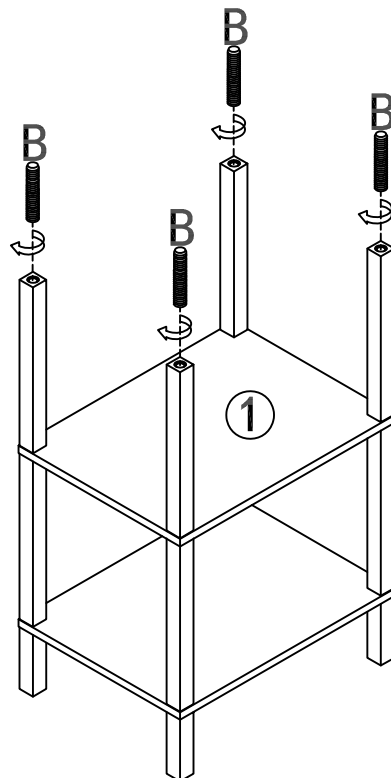
STEP 4



STEP 5

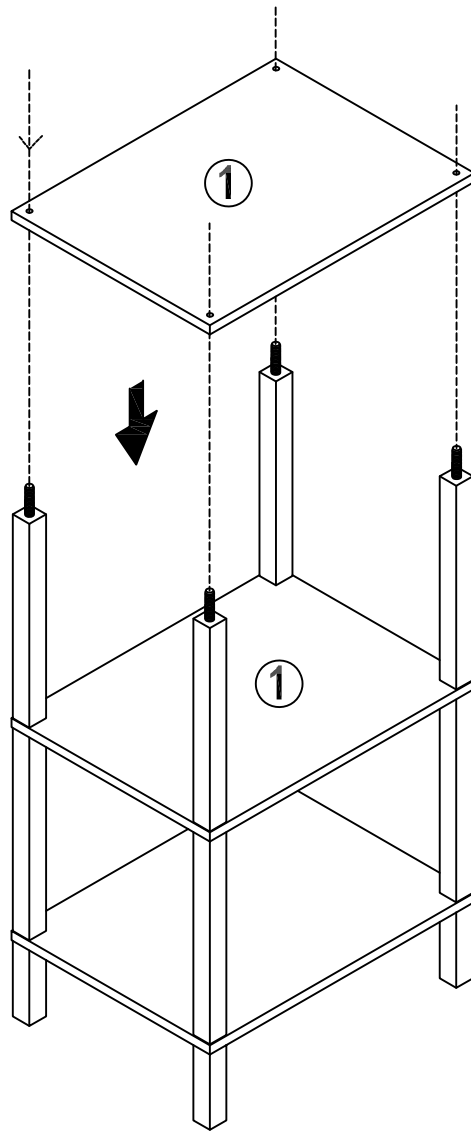


STEP 6

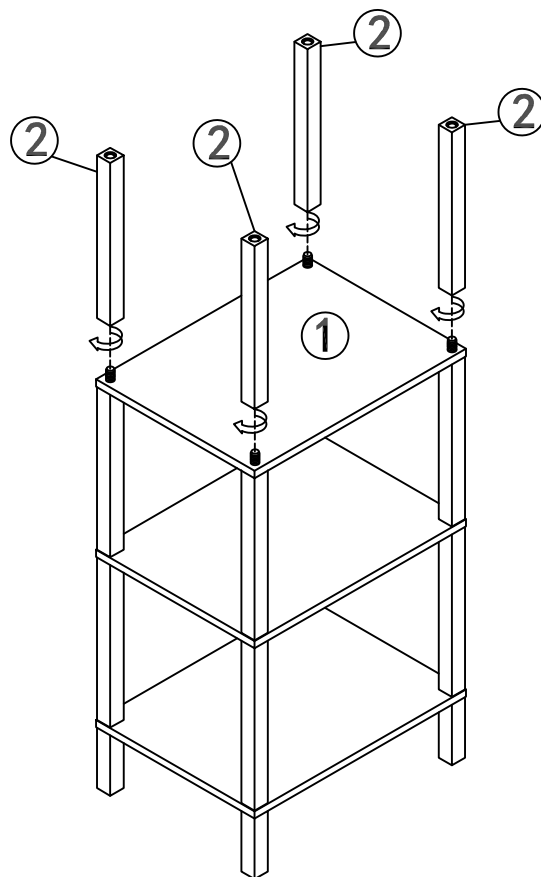


B X 4PCS

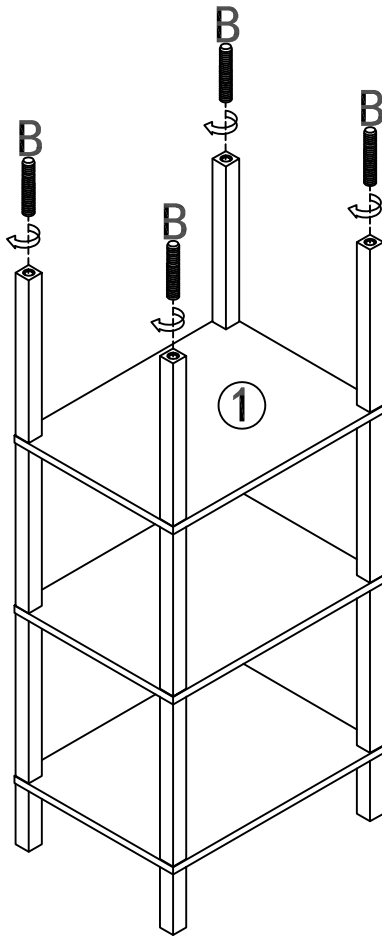
STEP 7




STEP 8

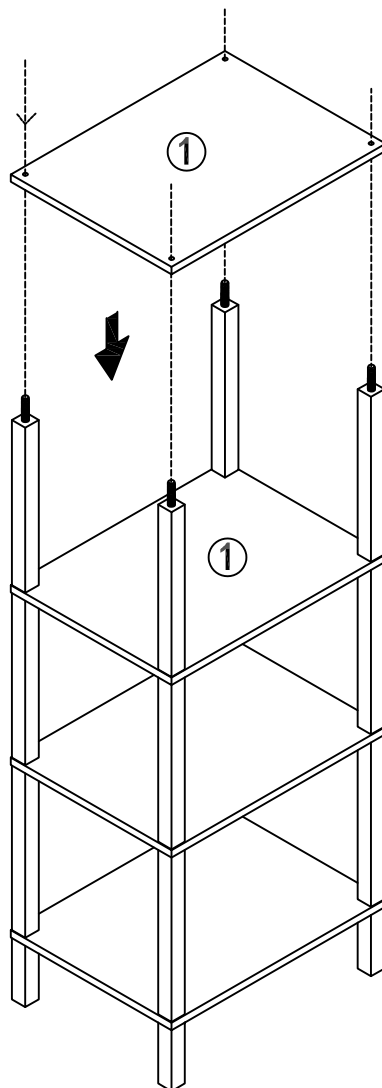


STEP 9

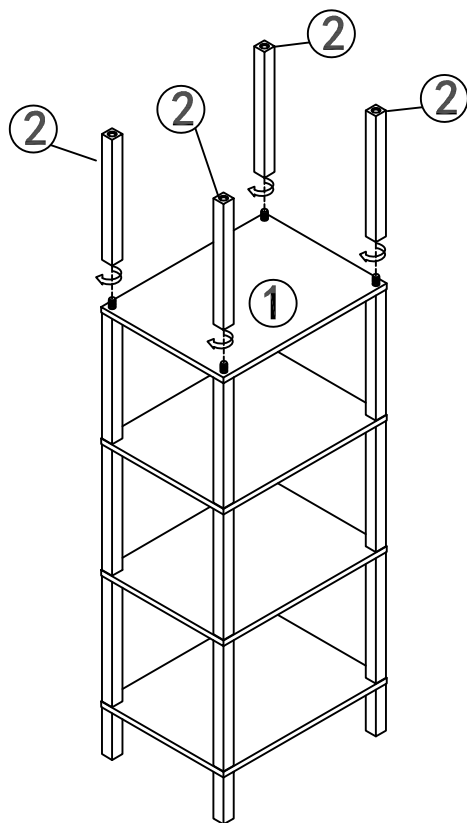


	B X 4PCS
--	-----------------

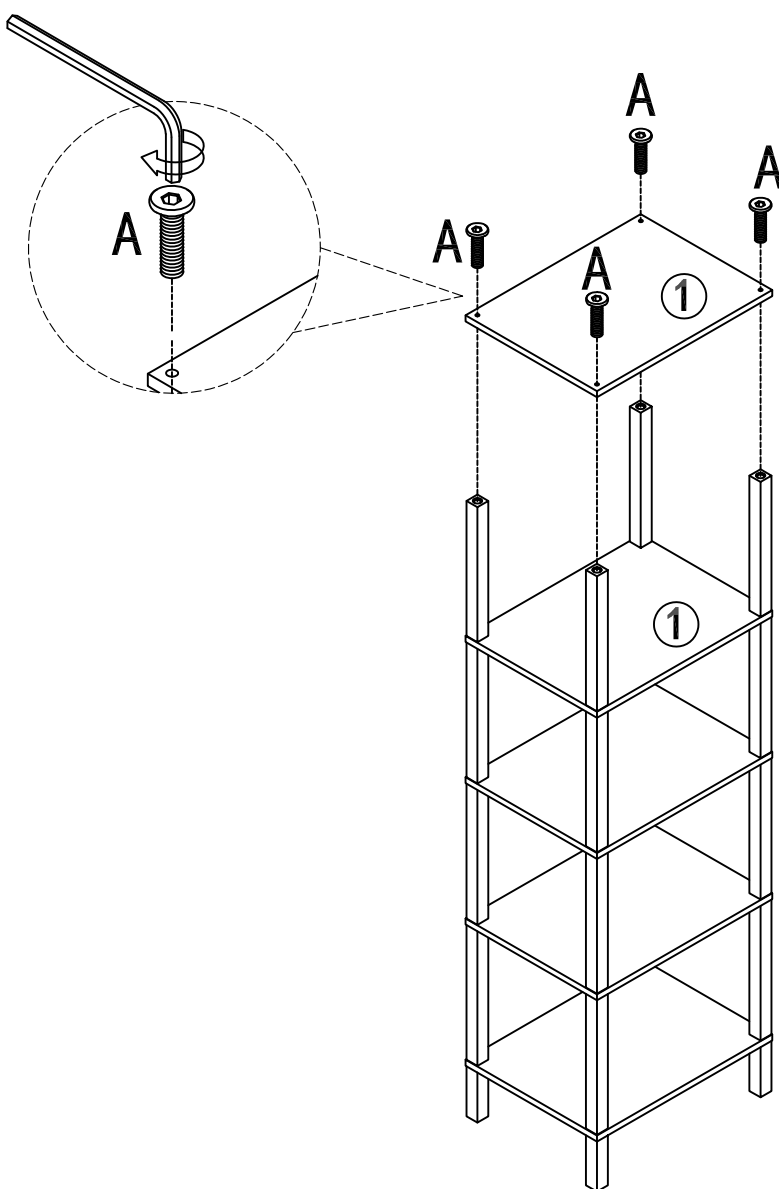
STEP 10



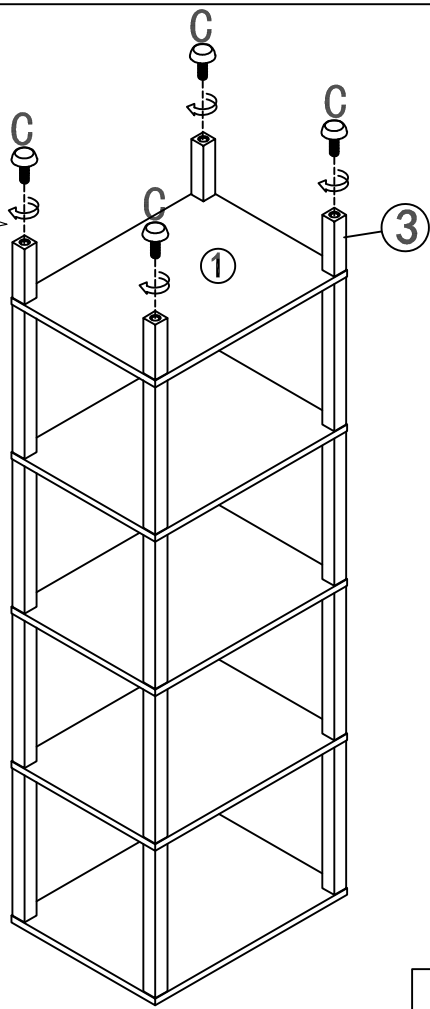
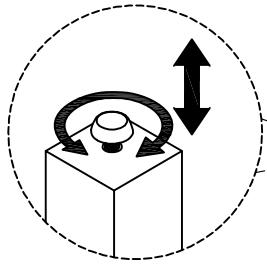
STEP 11



STEP 12

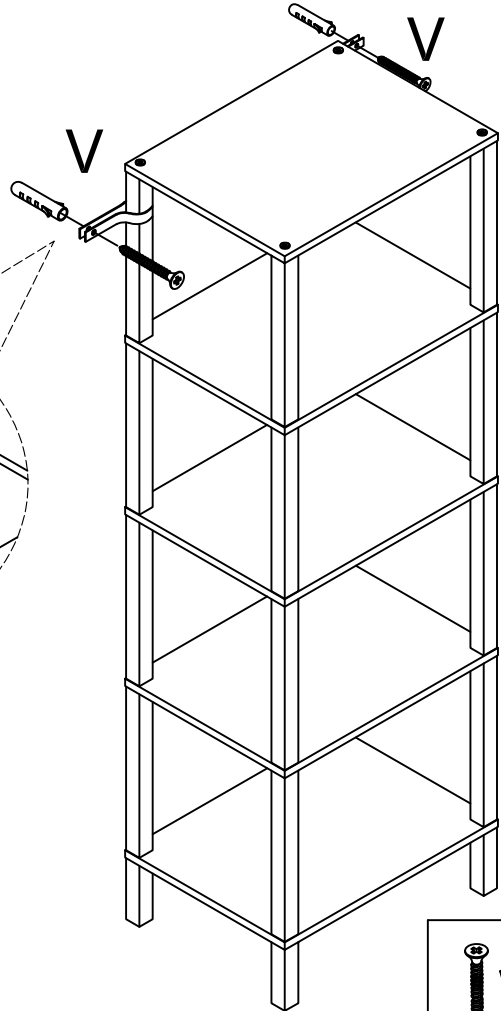
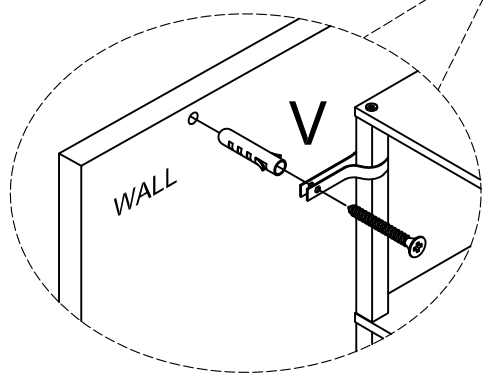




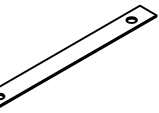
STEP 13



	C X 4PCS
---	----------

STEP 14



  	V X 2PCS
--	----------