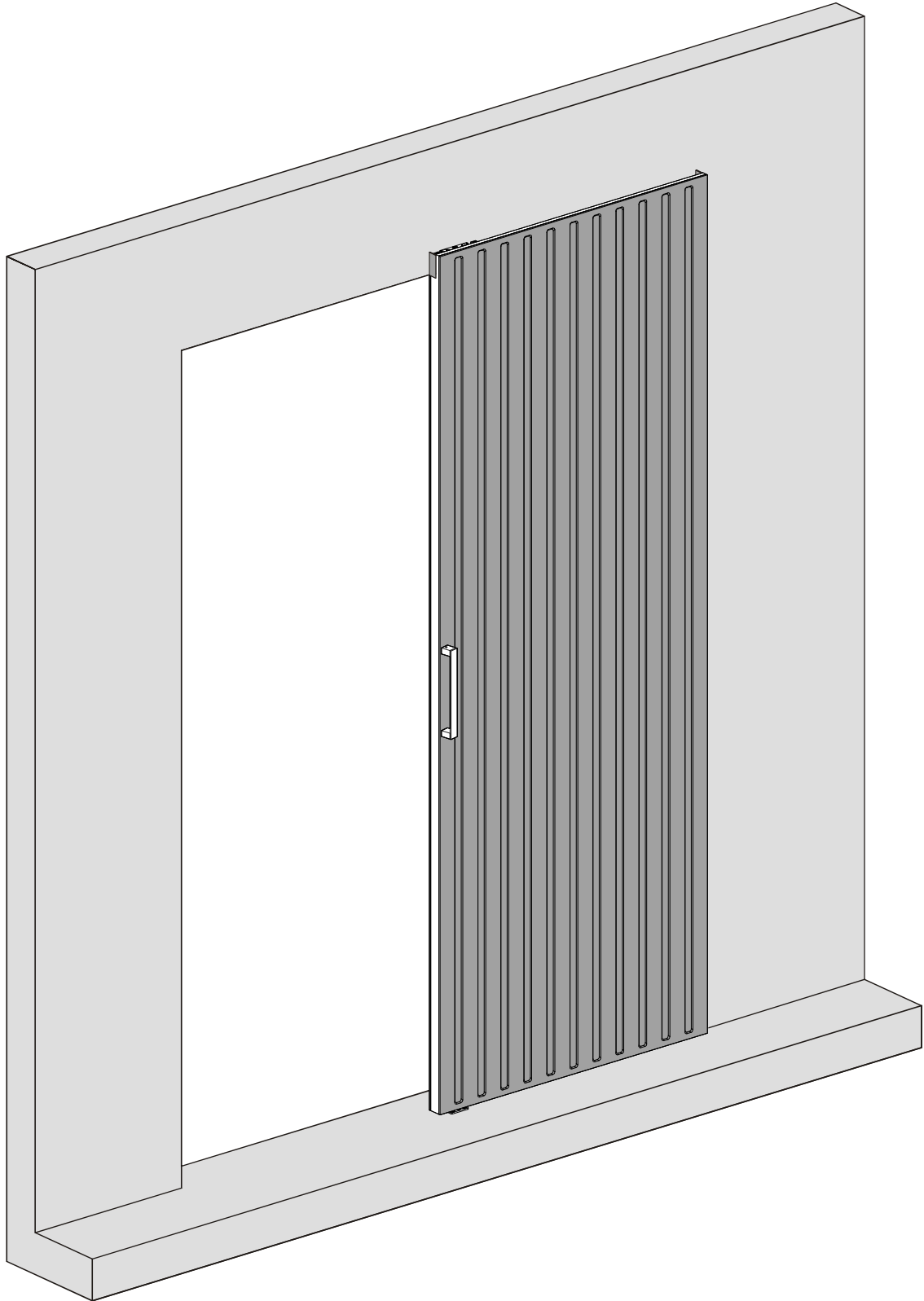


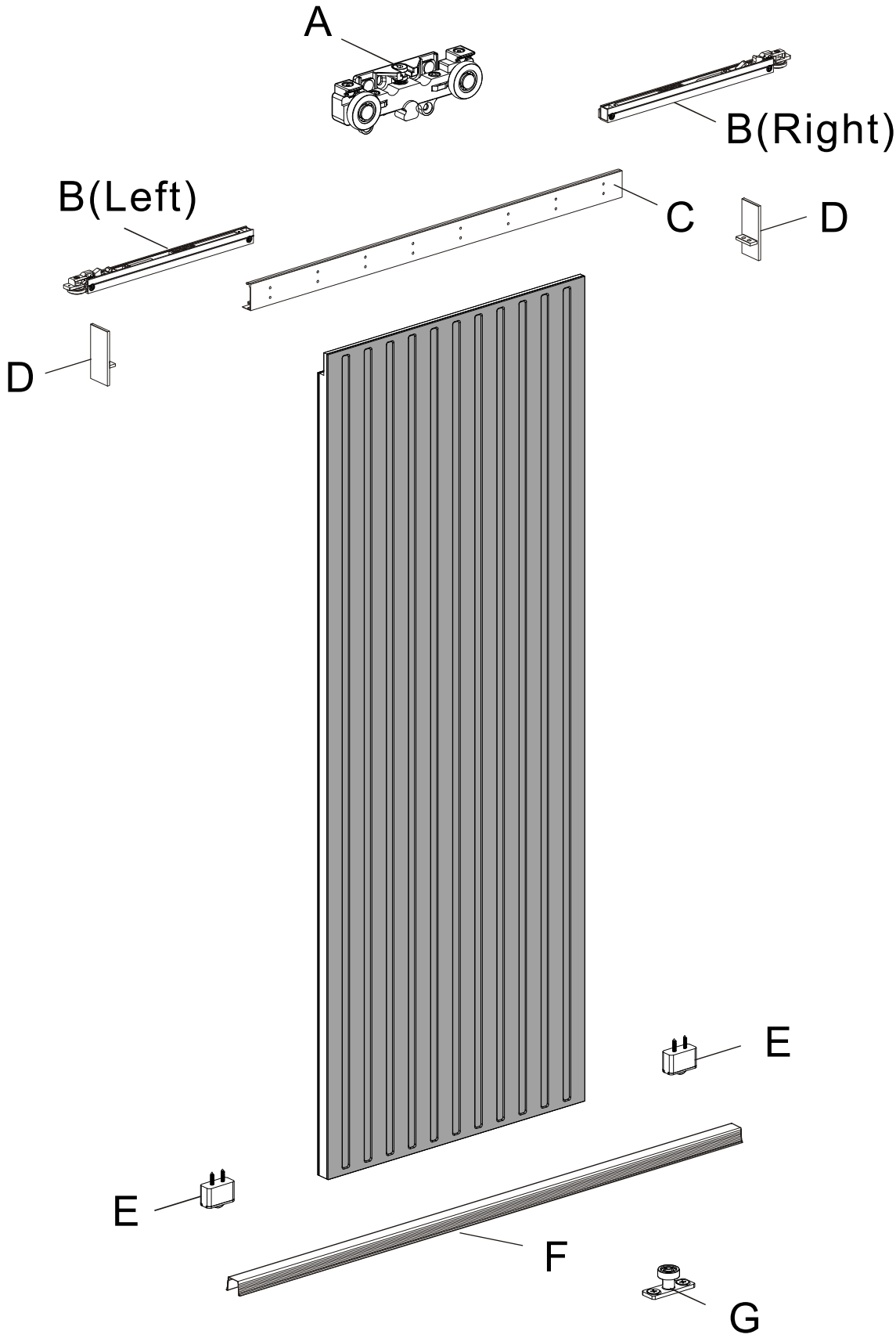
# Installation Manual

---

YCM03-32IN+YCM03-32IN-HD

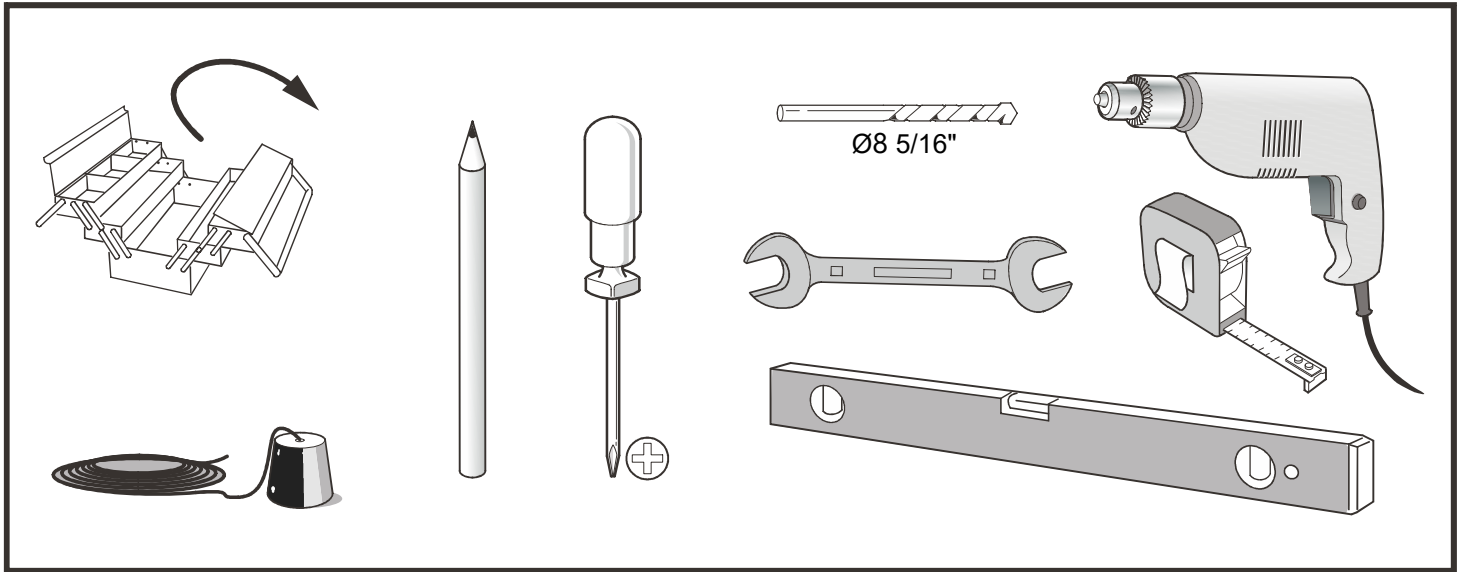


# Com ponents list



# Pre-installation

## TOOLS REQUIRED

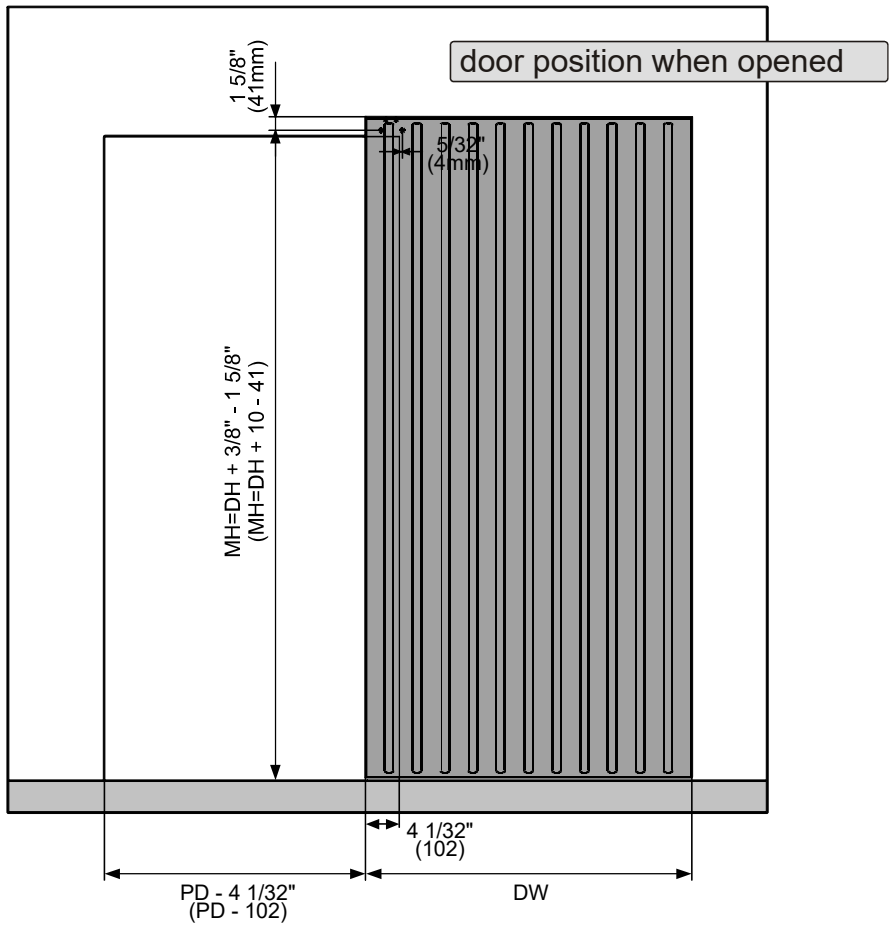
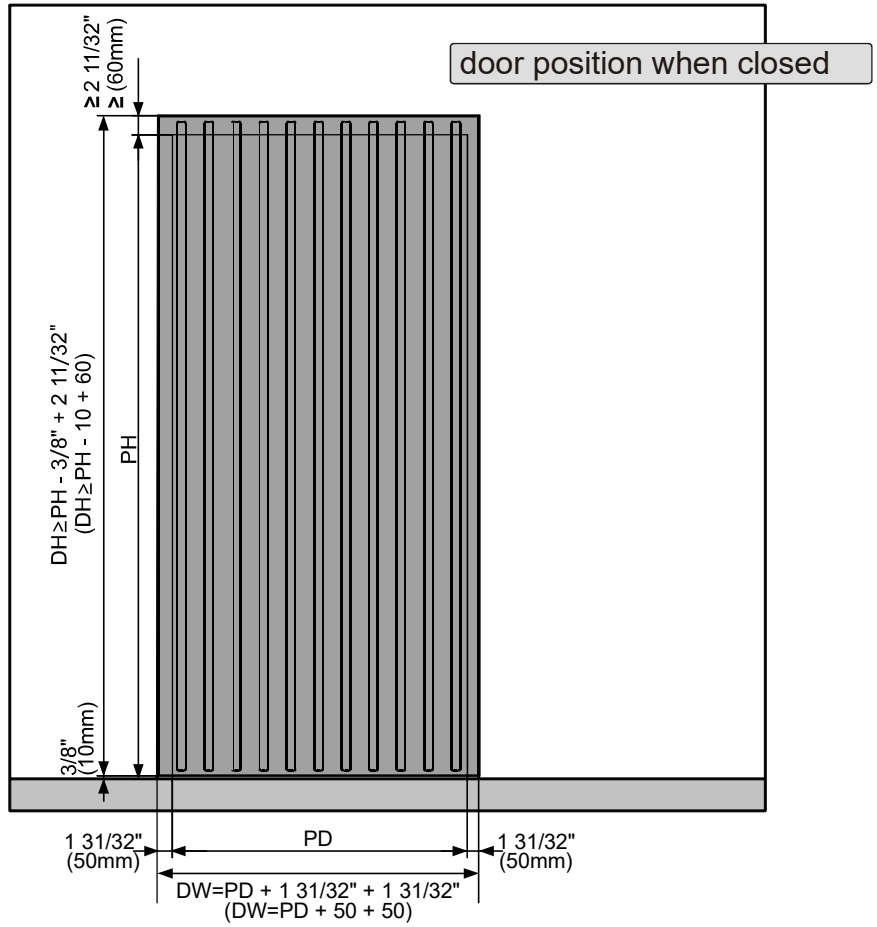


## HARDWARE INCLUDED

<p><b>A</b></p> <p>(X1)</p> <p>ST4.2X50 (X4) 11/64"x1 31/32"</p> <p>Ø8 5/16" (x4)</p>	<p><b>B</b></p> <p>Left(x1)</p> <p>Right(x1)</p>	<p><b>C</b></p> <p>(X1)</p> <p>ST3.5X13 (X16) 9/64"x33/64"</p>	<p><b>D</b></p> <p>(X1)</p> <p>(X1)</p> <p>ST2.9X9.5 (X2) 7/64"x3/8"</p>
<p><b>E</b></p> <p>(X2)</p> <p>ST4.2X25 (X4) 11/64"x63/64"</p>	<p><b>F</b></p> <p>(X1)</p>	<p><b>G</b></p> <p>(X1)</p> <p>Ø8 5/16" (x2)</p> <p>ST4.8X38 (X2) 3/16"x1 1/2"</p>	<p>(X1)</p> <p>(X2) ST4.2x30mm 11/64"x1 3/16"</p> <p>(X1)</p>

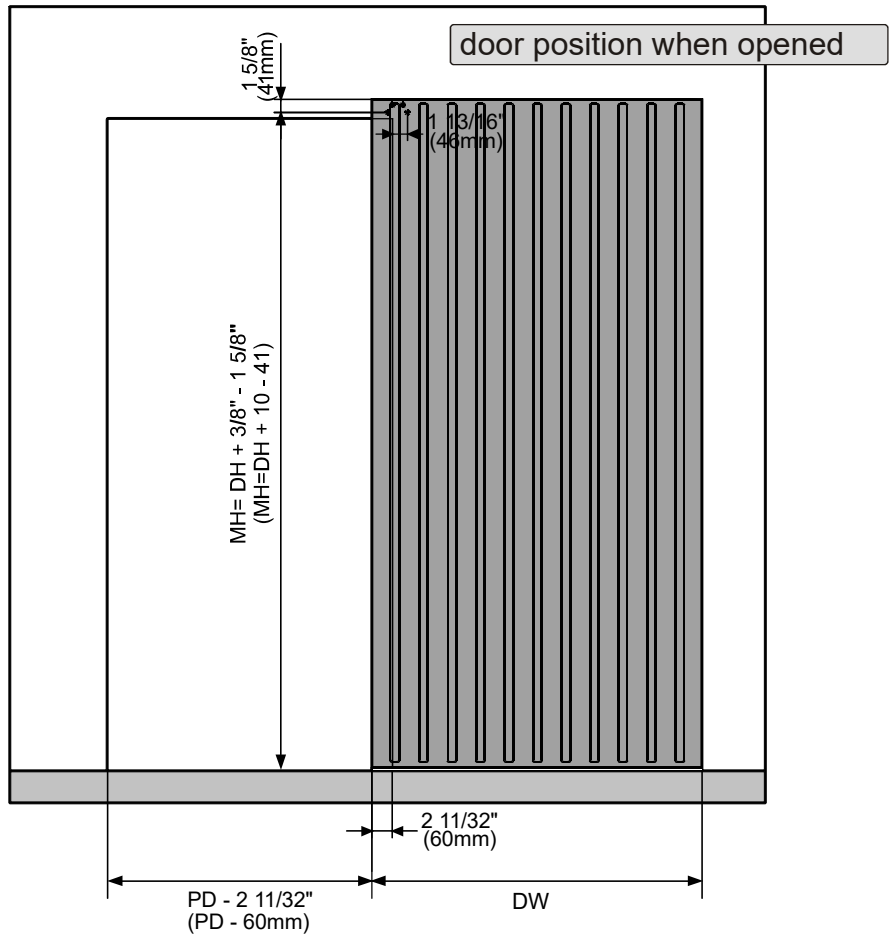
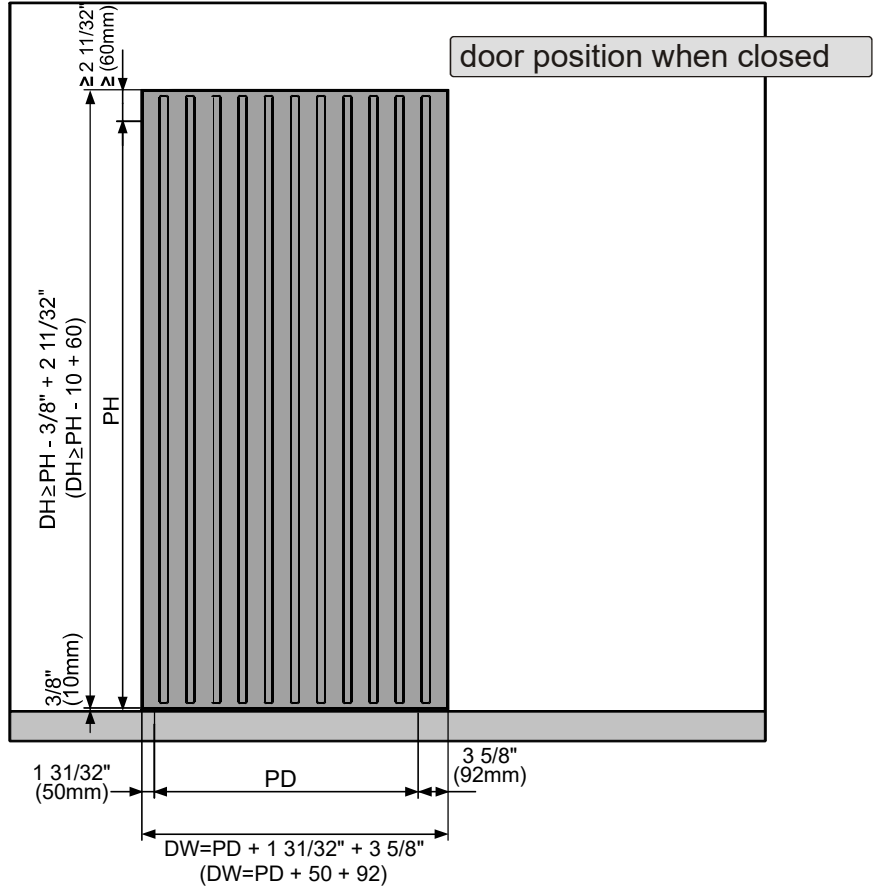
# Door preparation.a

DW	Door Width
PD	Passage Width
DH	Door Height
PH	Passage Height
MH	Hanger Positioning



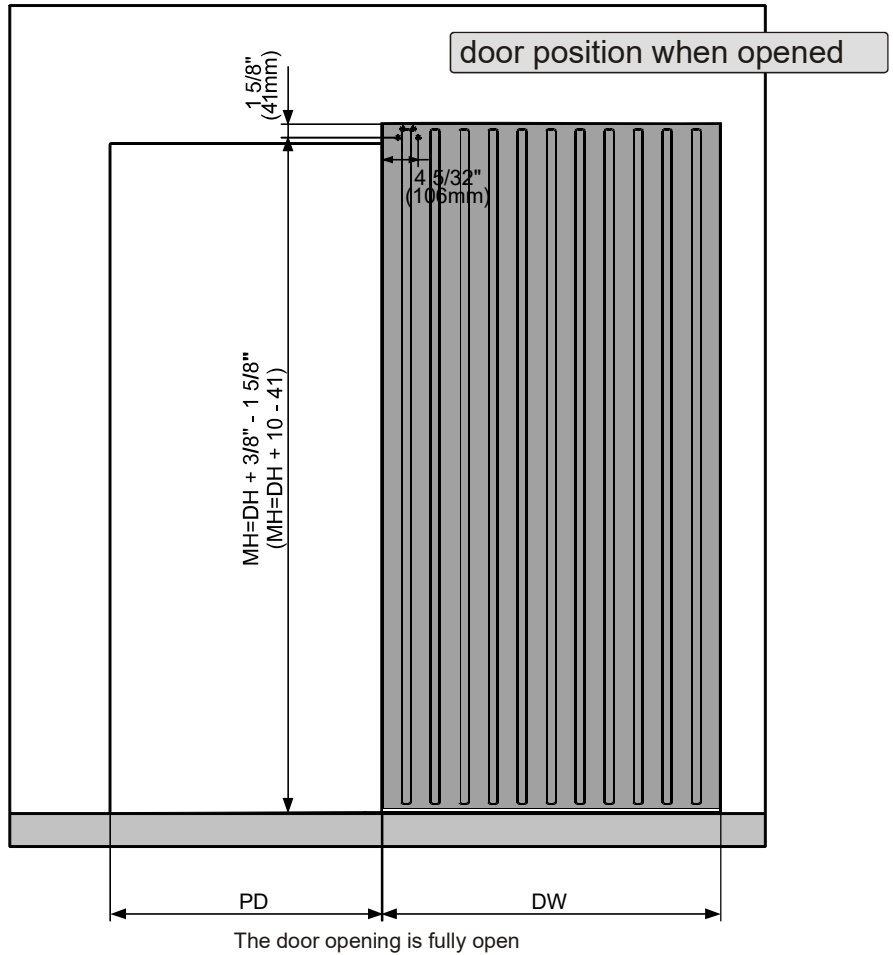
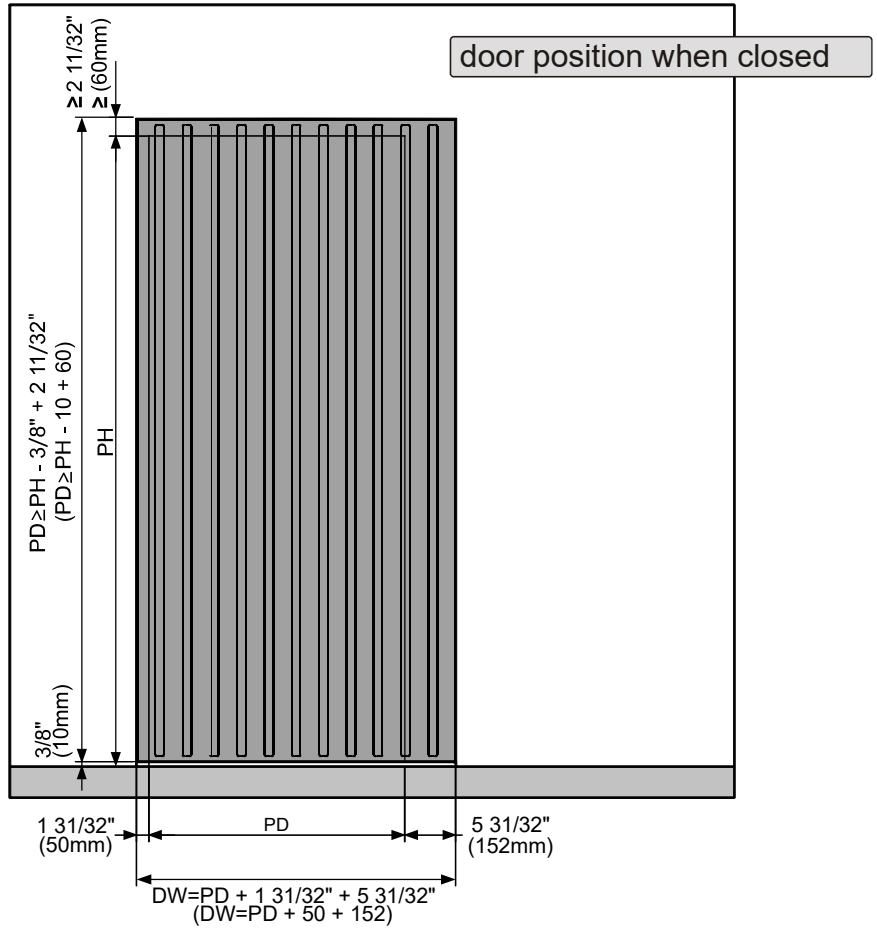
# Door preparation.b

DW	Door Width
PD	Passage Width
DH	Door Height
PH	Passage Height
MH	Hanger Positioning

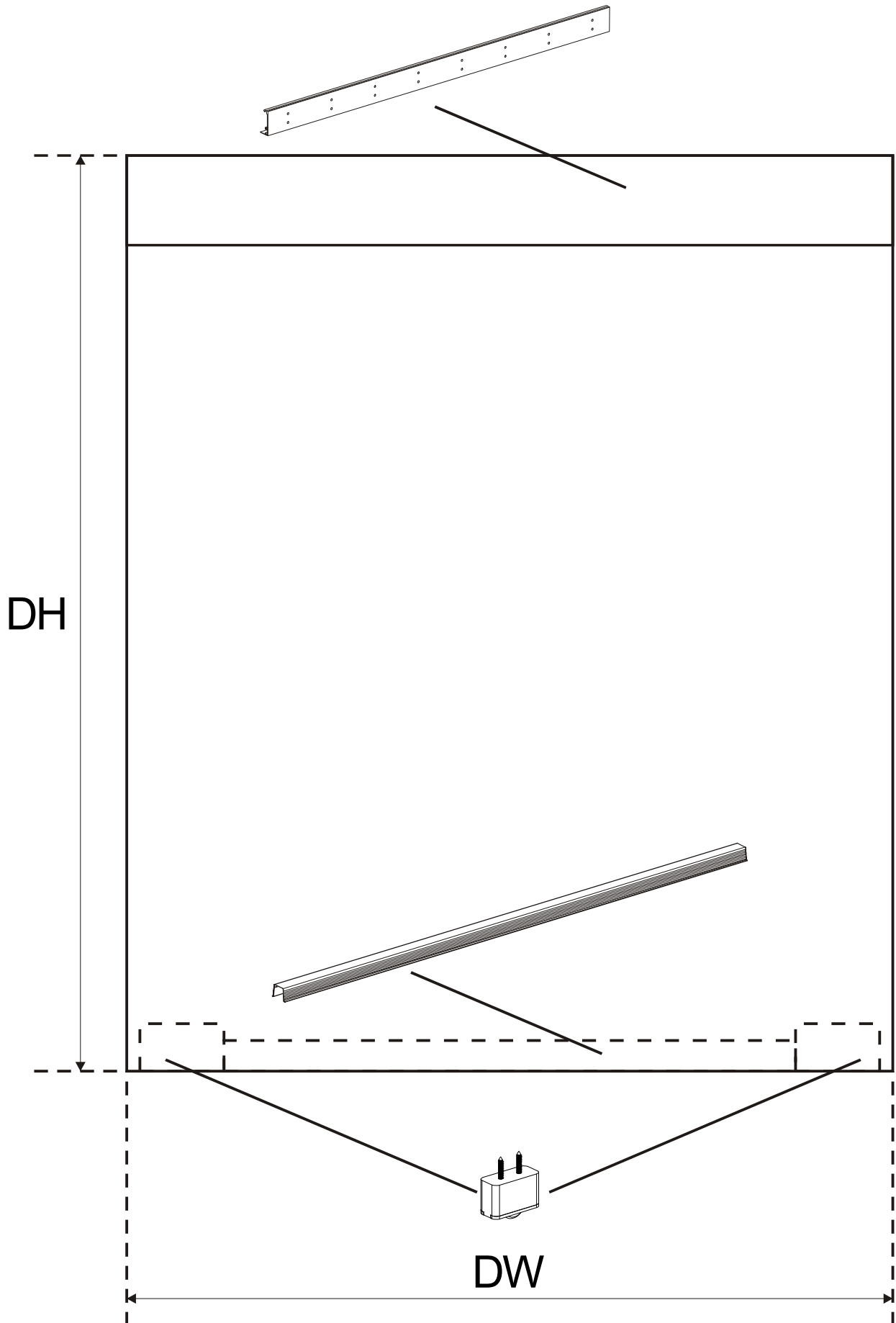


# Door preparation.c

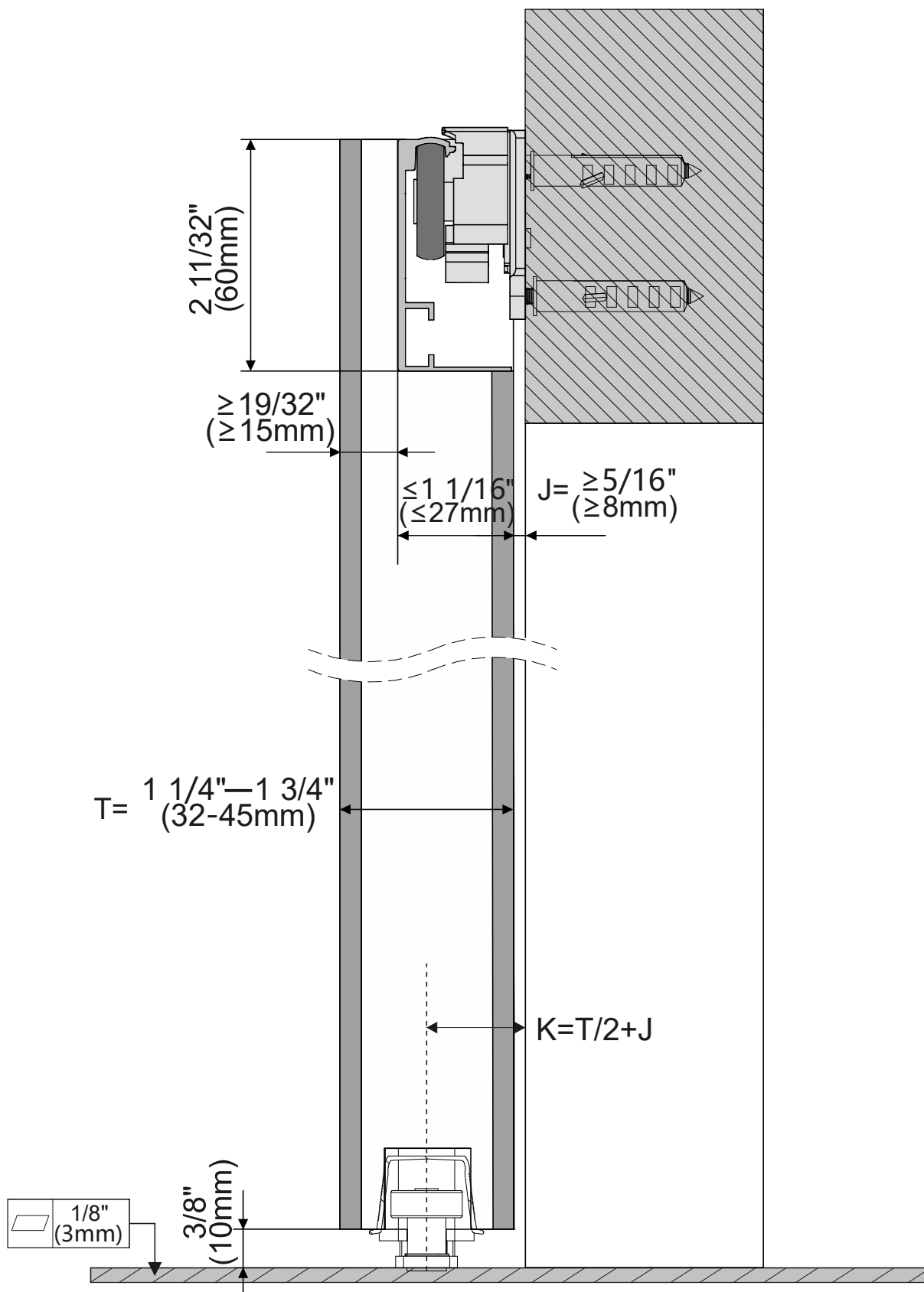
DW	Door Width
PD	Passage Width
DH	Door Height
PH	Passage Height
MH	Hanger Positioning



# Components position

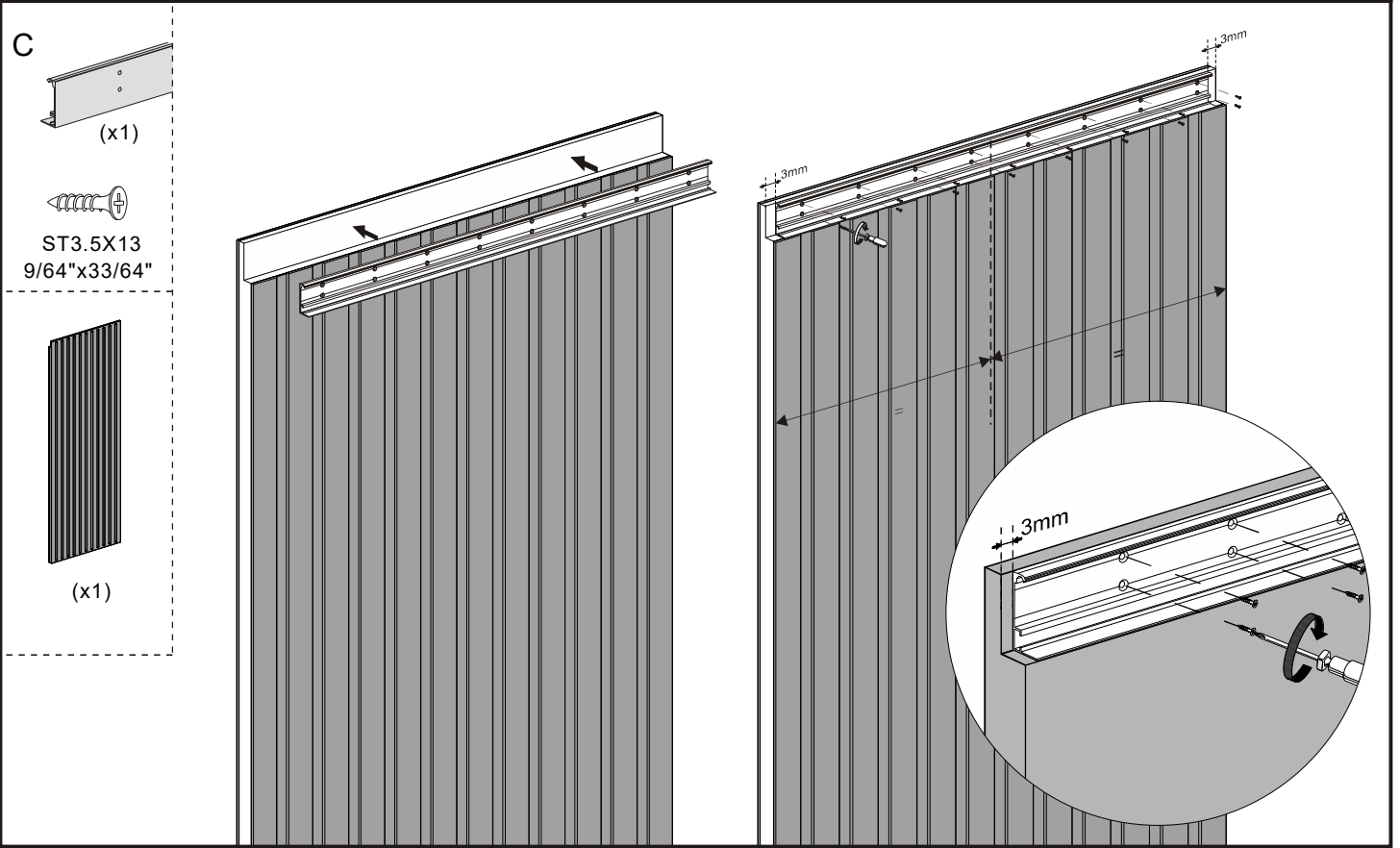


# Section drawing

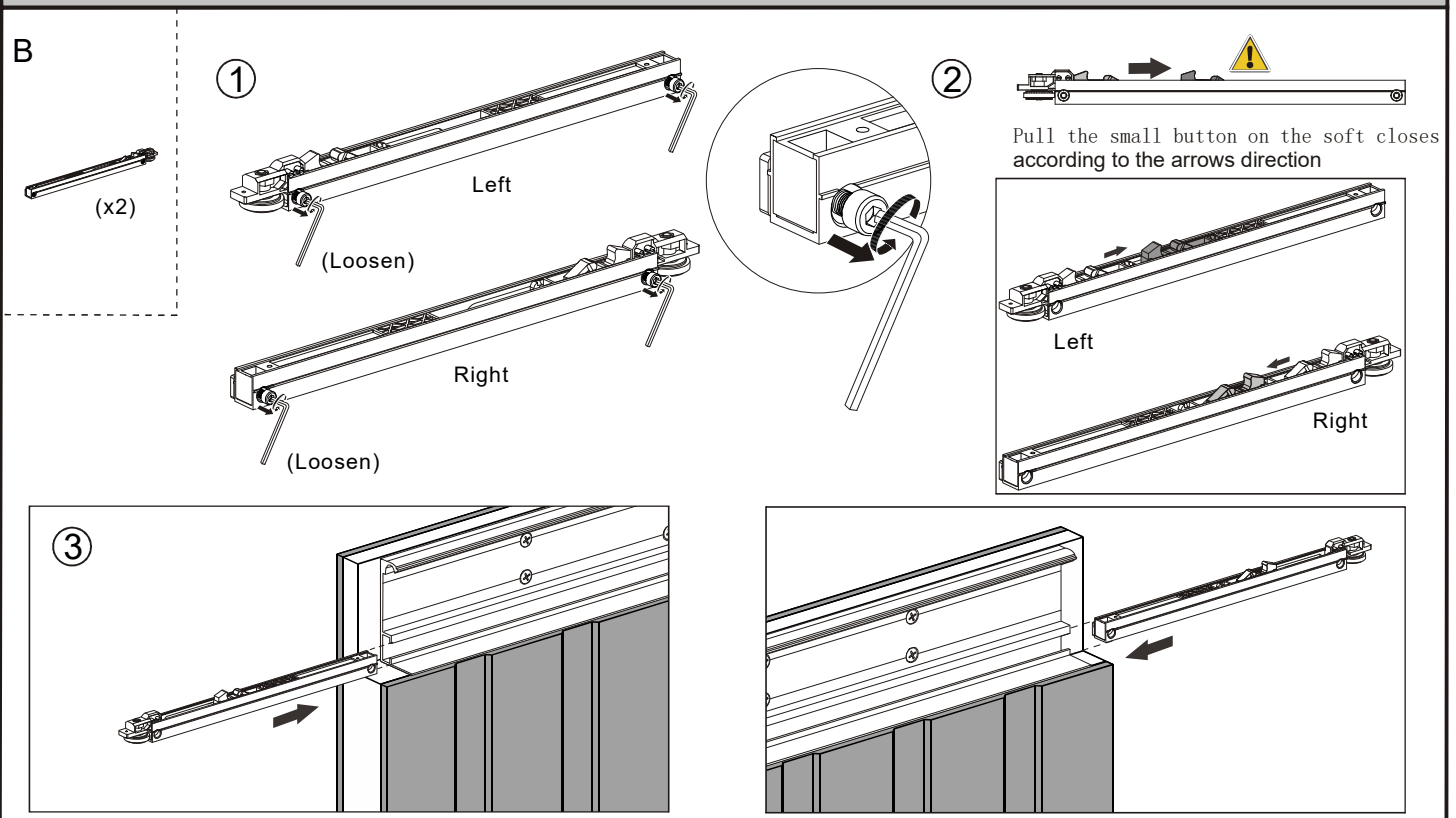


# Installation


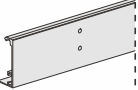
## 1 Fasten top track onto the door slot.

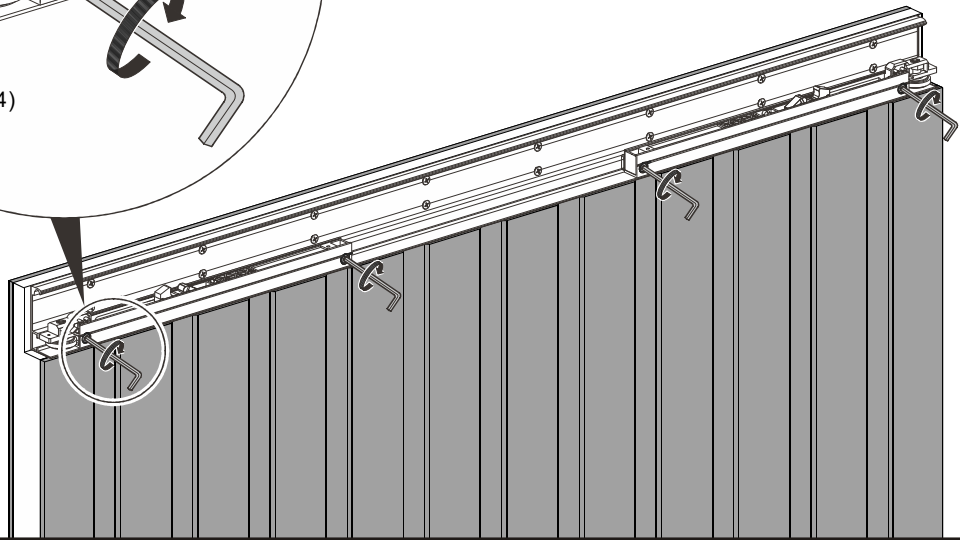
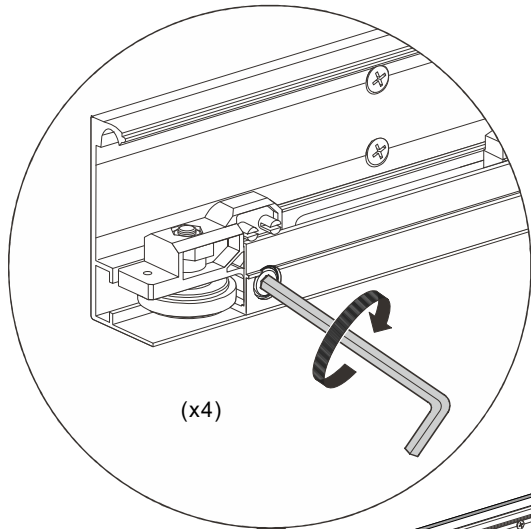


## 2 loosen the soft close screws and put both soft closes on both ends of top track.

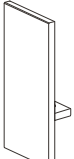
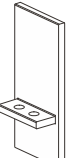



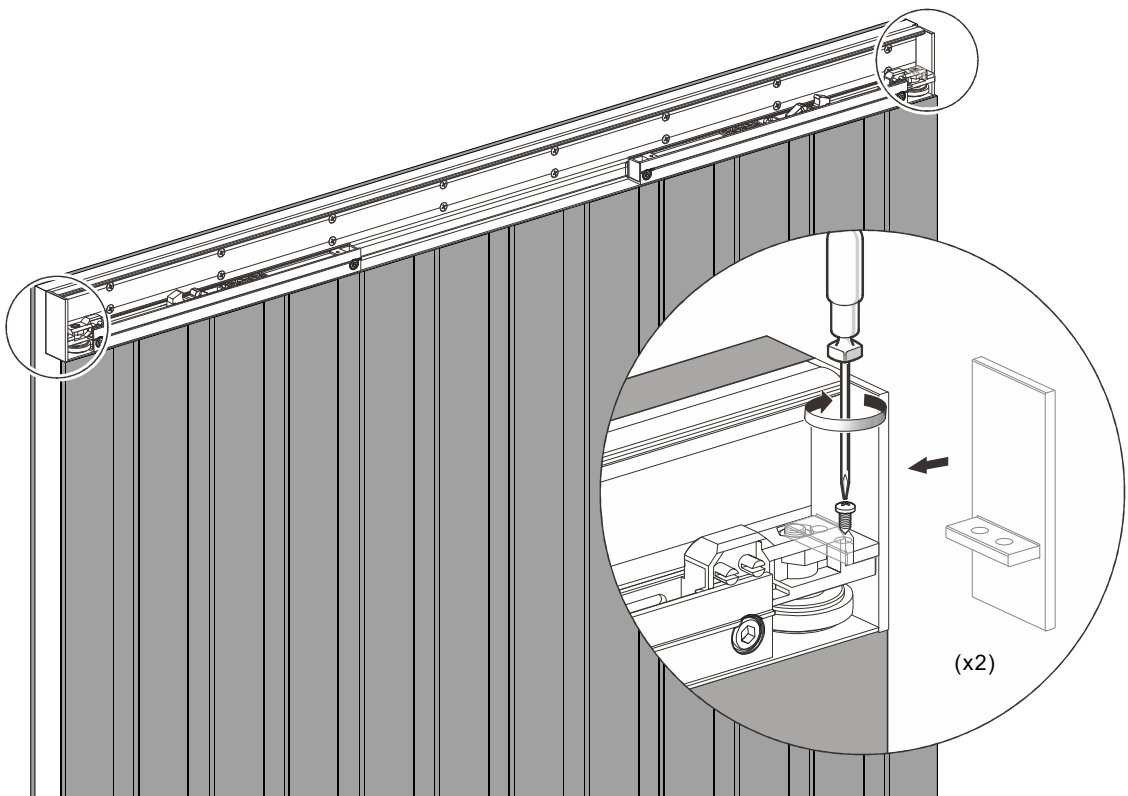
**3** Ensure soft close is even with either end of track and tighten soft close screws .

- B**  
  
(x1)
- C**  
  
(x1)



**4** Install end cap together with soft-close mechanism.

- D**  
  
(x1)
-   
(x1)
-   
ST2.9X9.5  
7/64"x3/8"

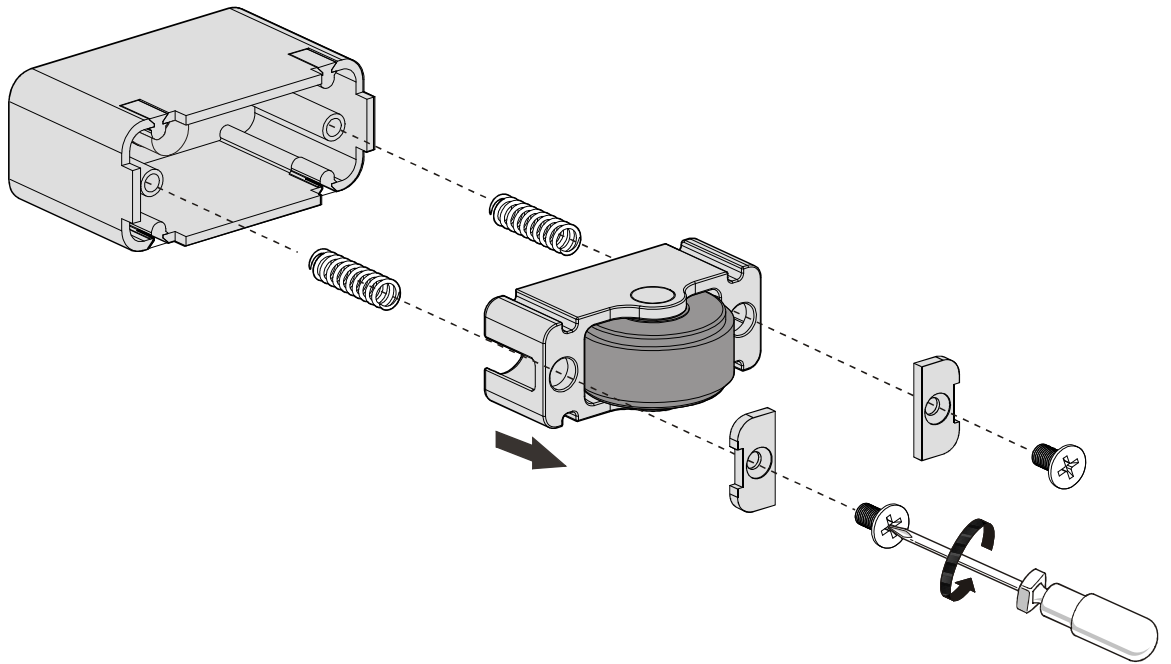


## 5 Remove the wheel.

E  
ST4.2X25  
11/64"x63/64"  
(x2)



ST4.2X25  
11/64"x63/64"

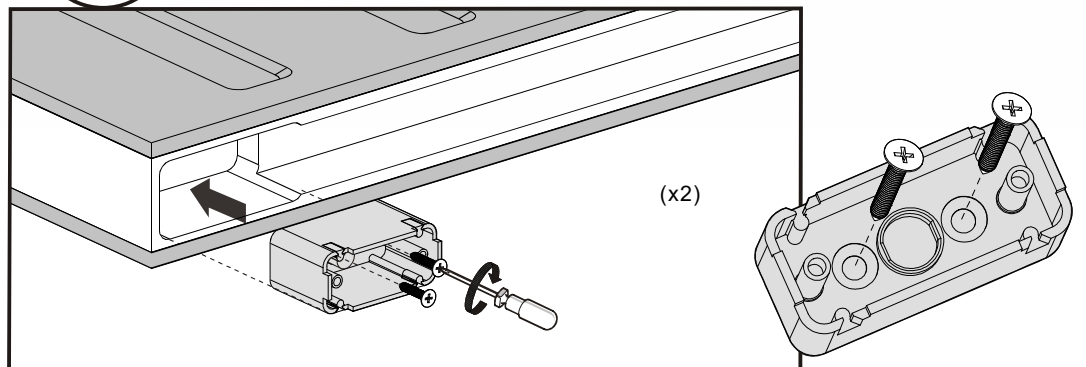
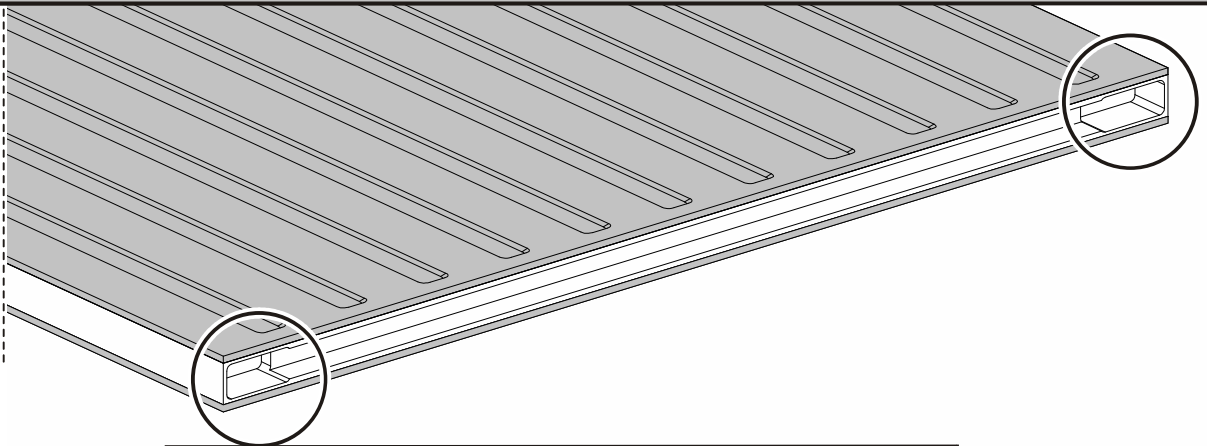


## 6 Fasten the bottom wheel body first.

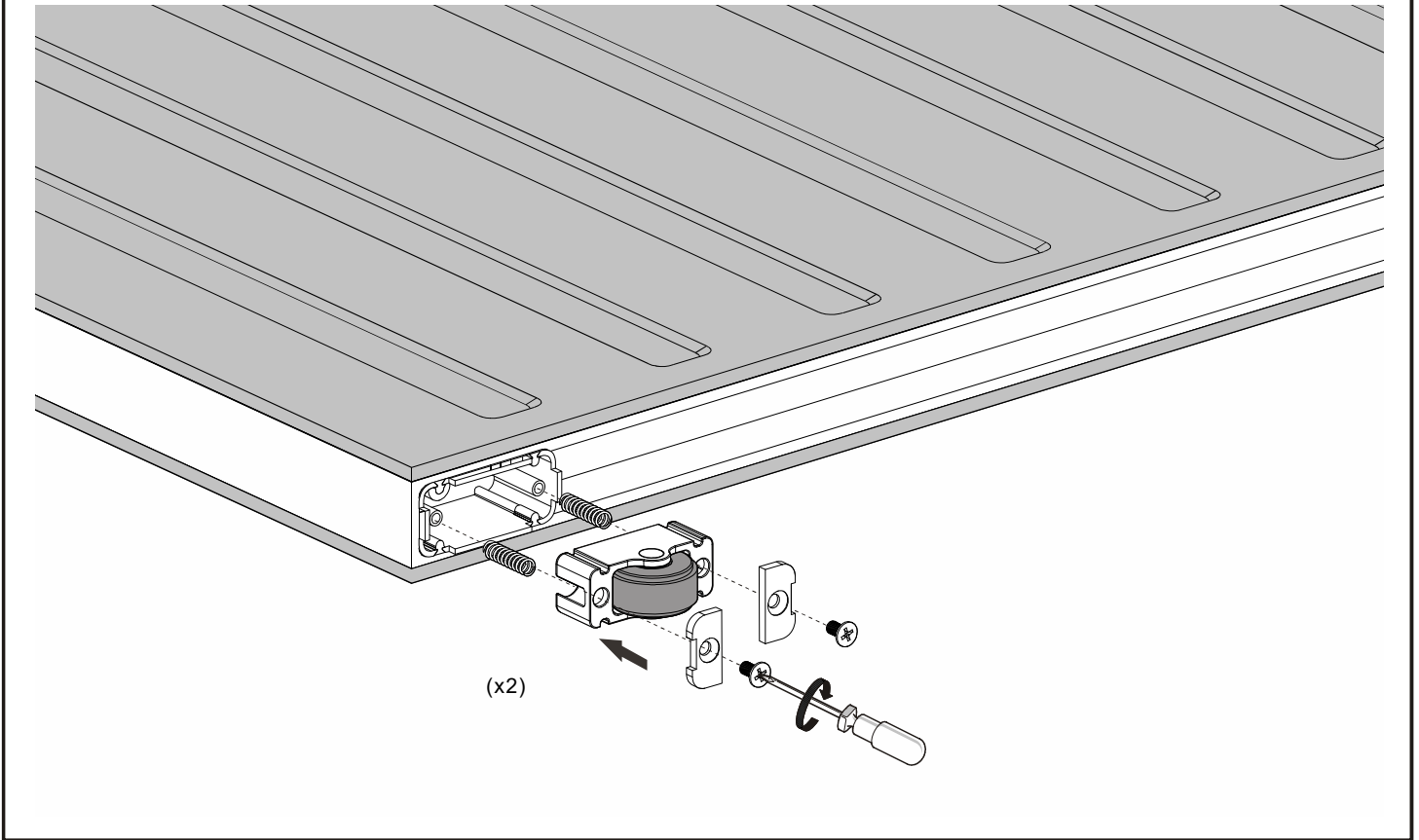
E  
ST4.2X25  
11/64"x63/64"  
(x2)



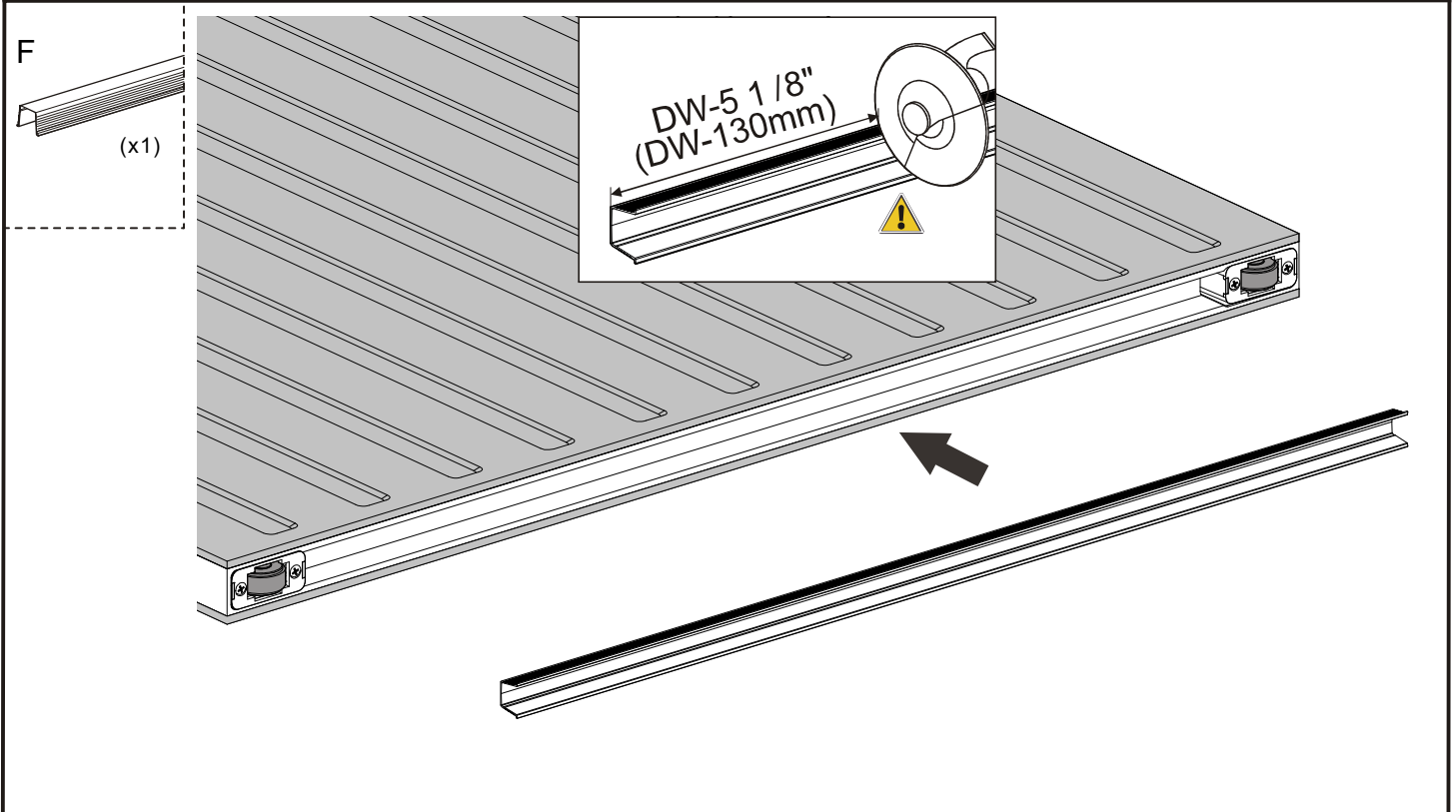
ST4.2X25  
11/64"x63/64"



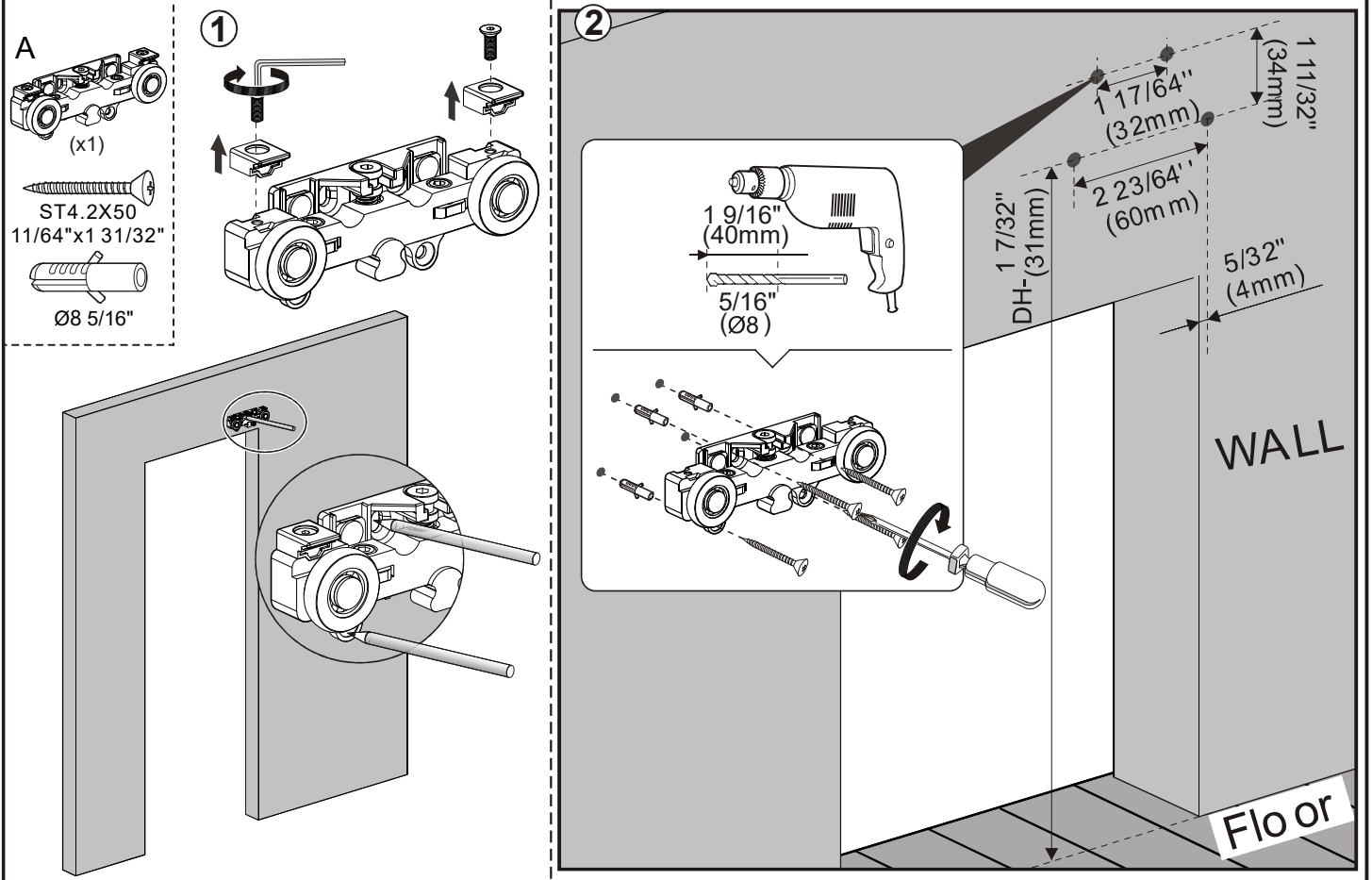
**7** Put the wheel part back in the body.



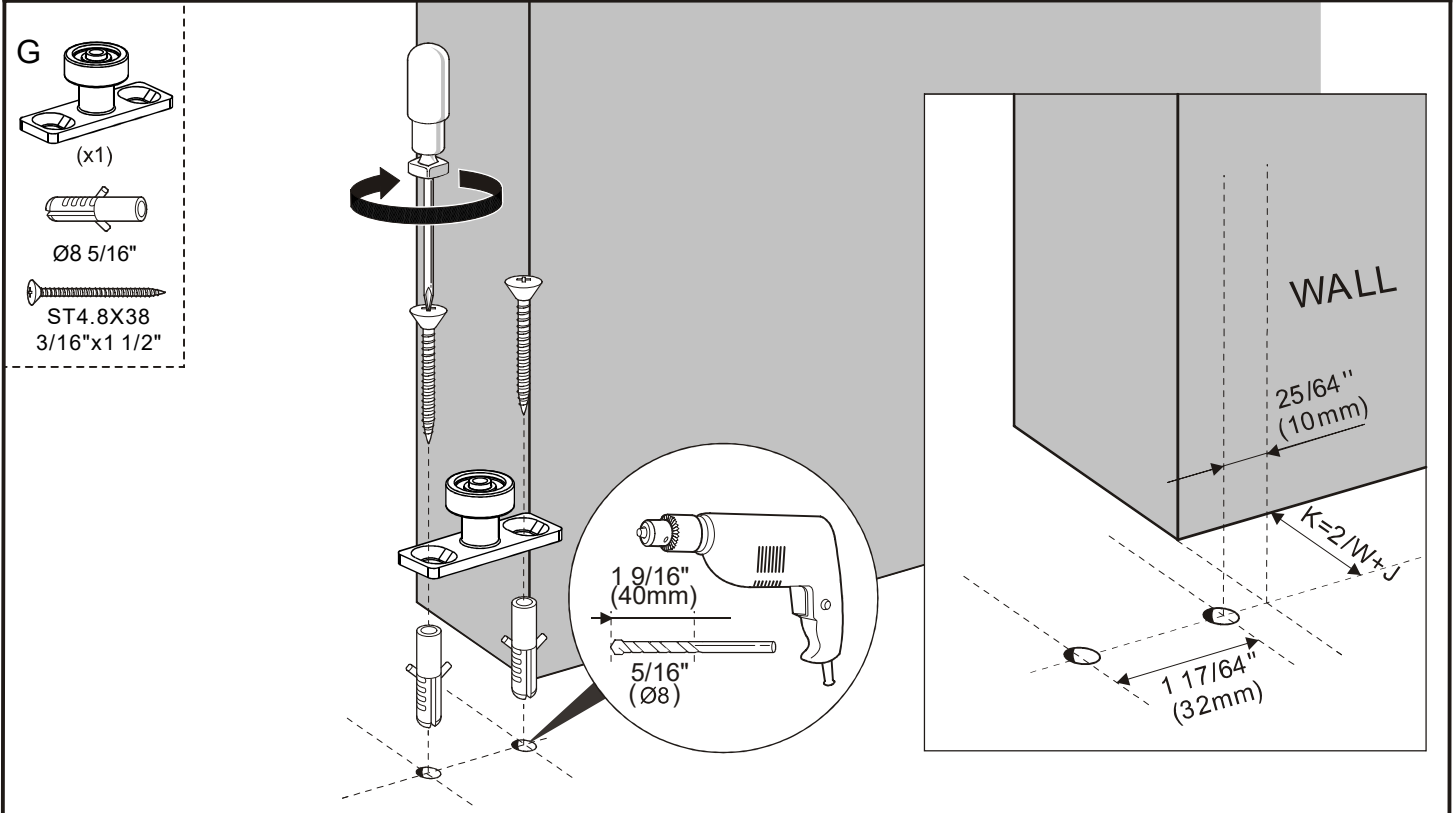
**8** Cut bottom track to length (door width-130mm) and put the bottom track inside the bottom slot.



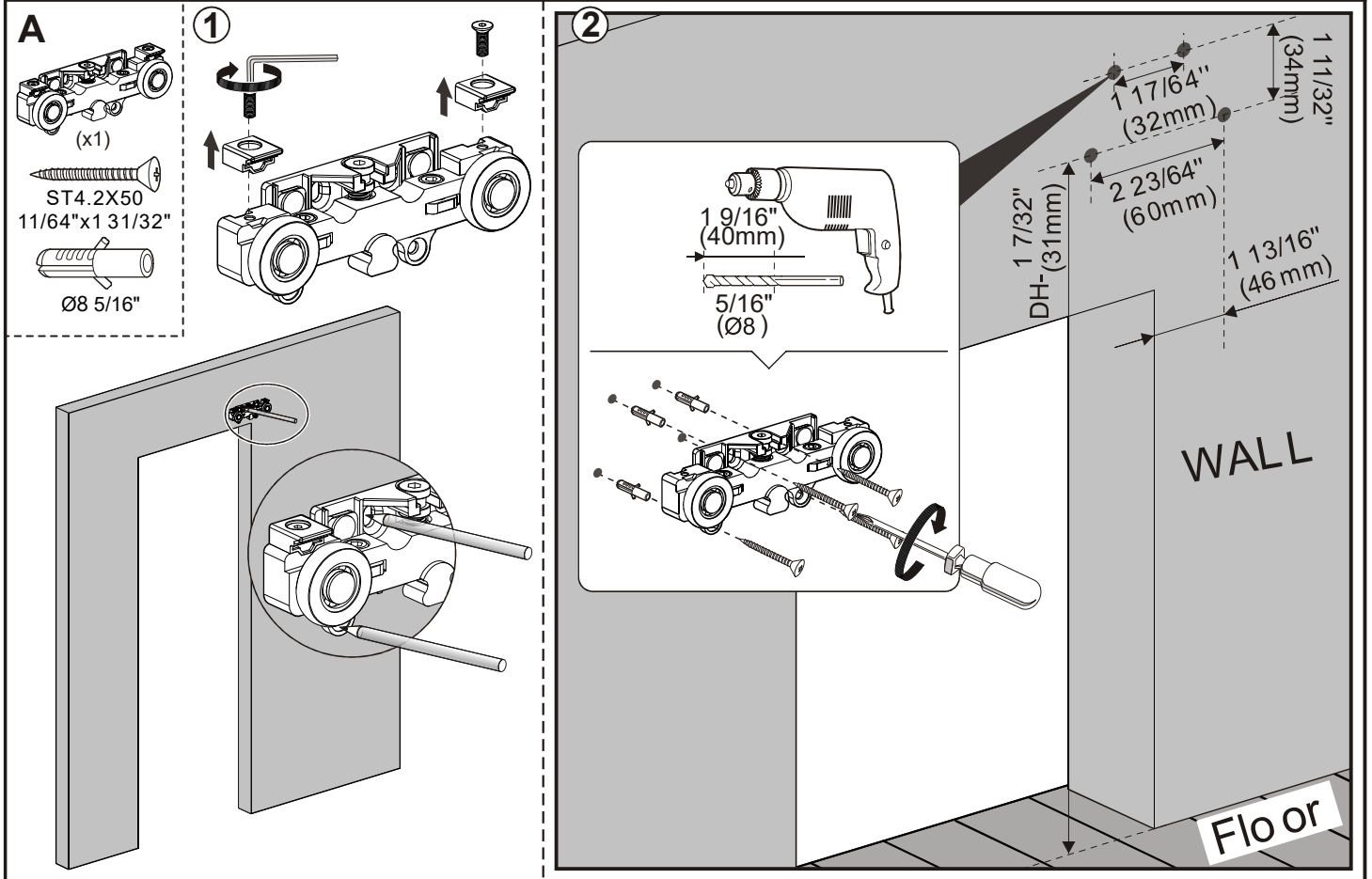
**9a** Remove anti-jump block of hanger first and mount hanger onto the wall.



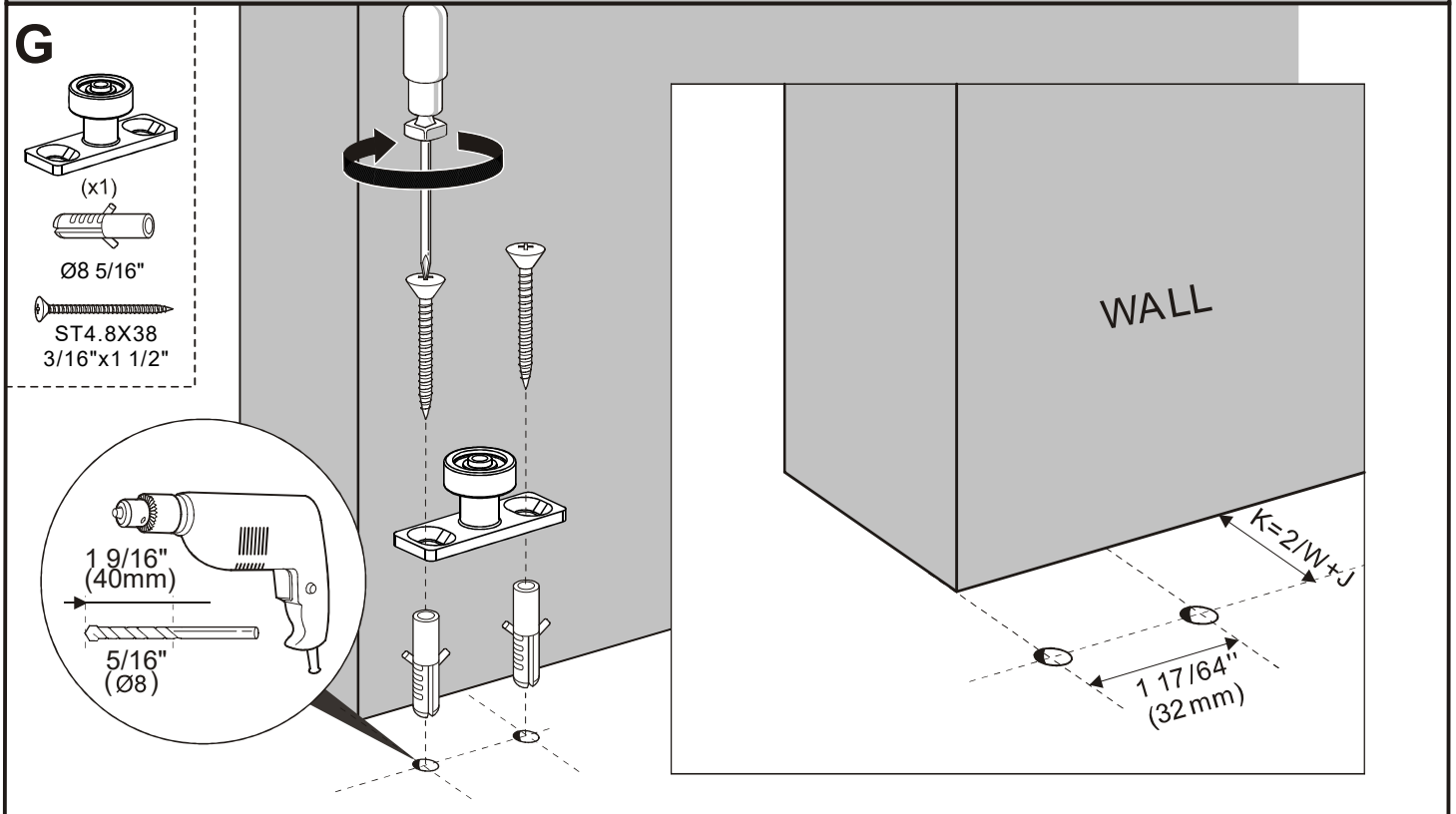
**10a** Mount floor guide.



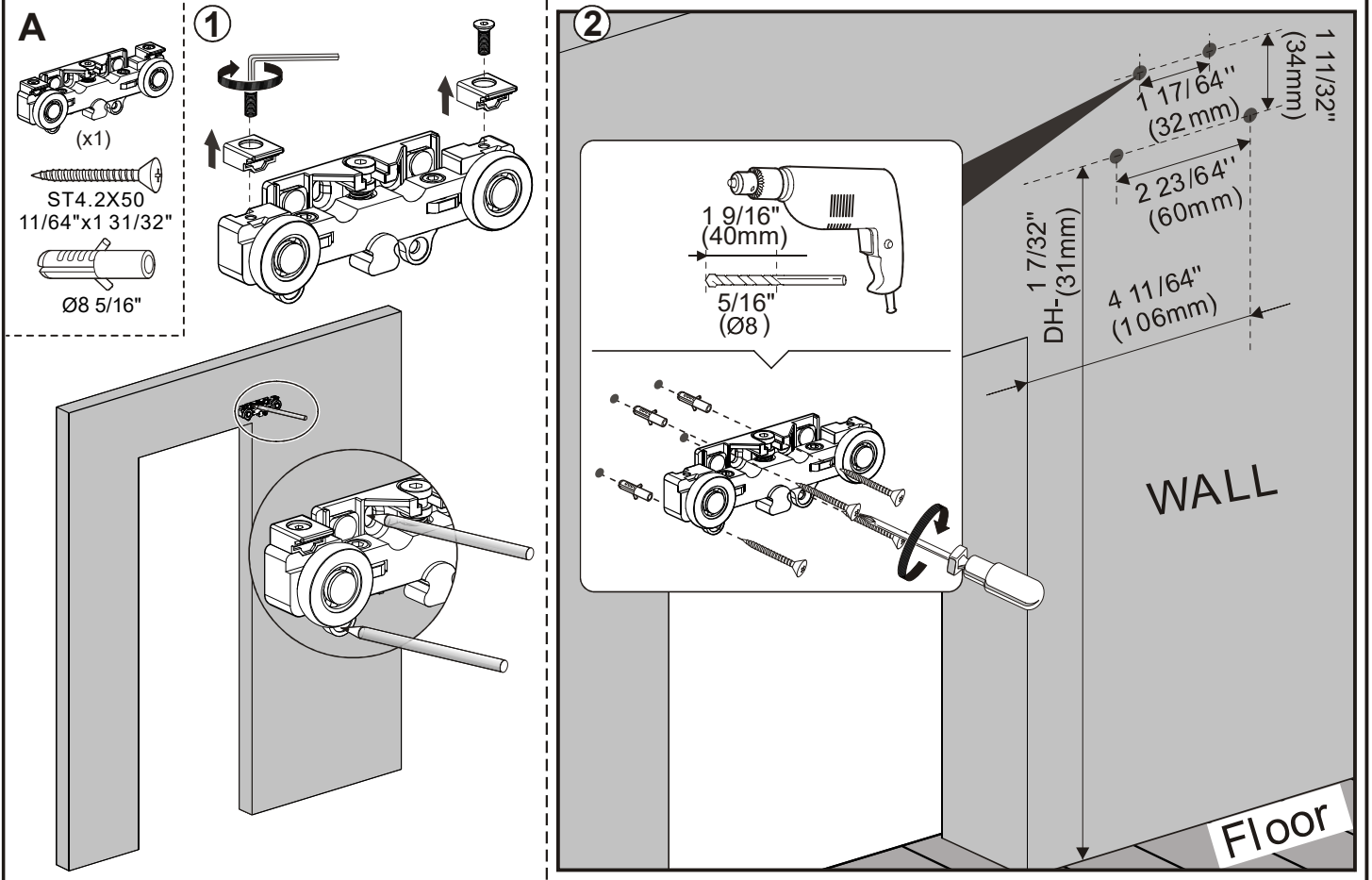
**9b** Remove anti-jump block of hanger first and mount hanger onto the wall.



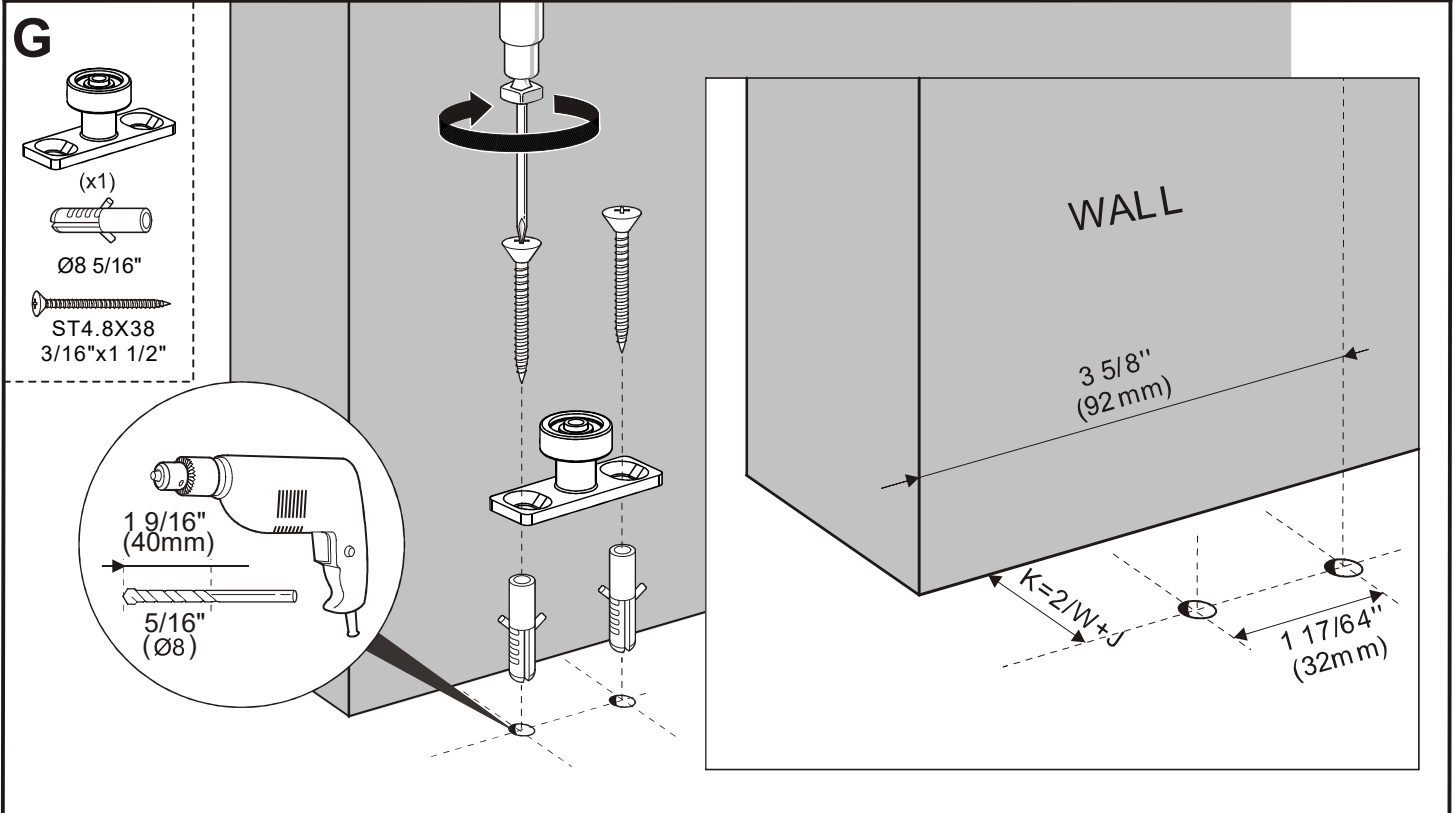
**10b** Mount floor guide.



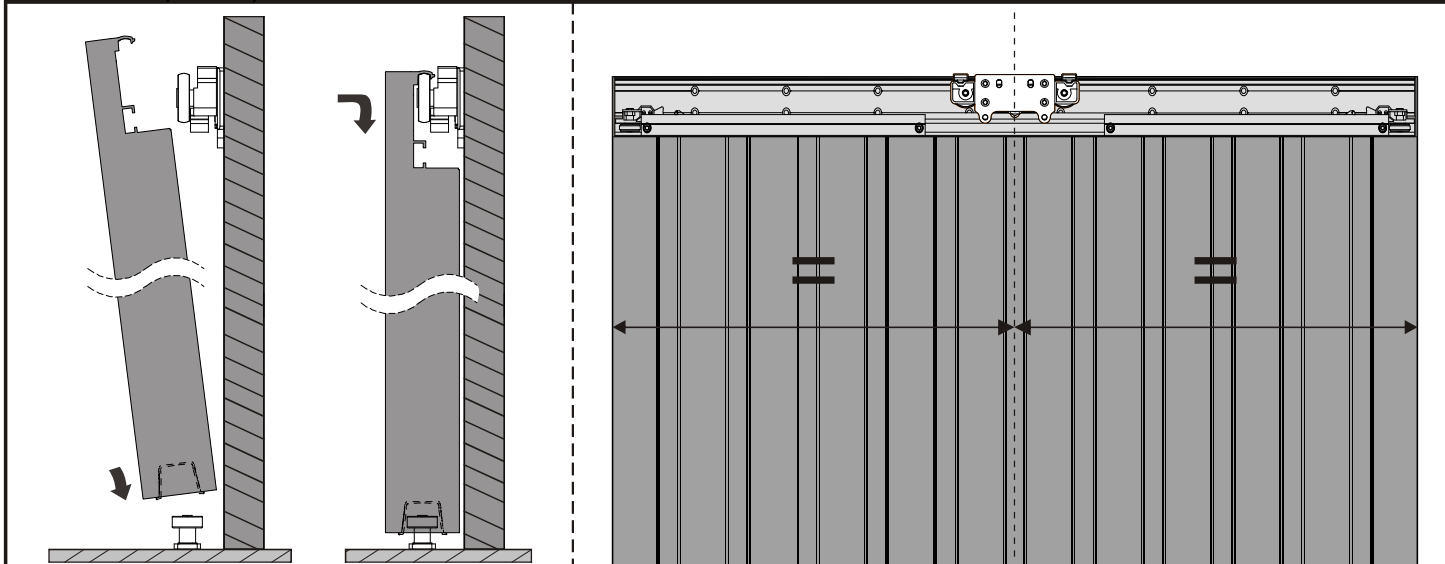
**9c** Remove anti-jump block of hanger first and mount hanger onto the wall.



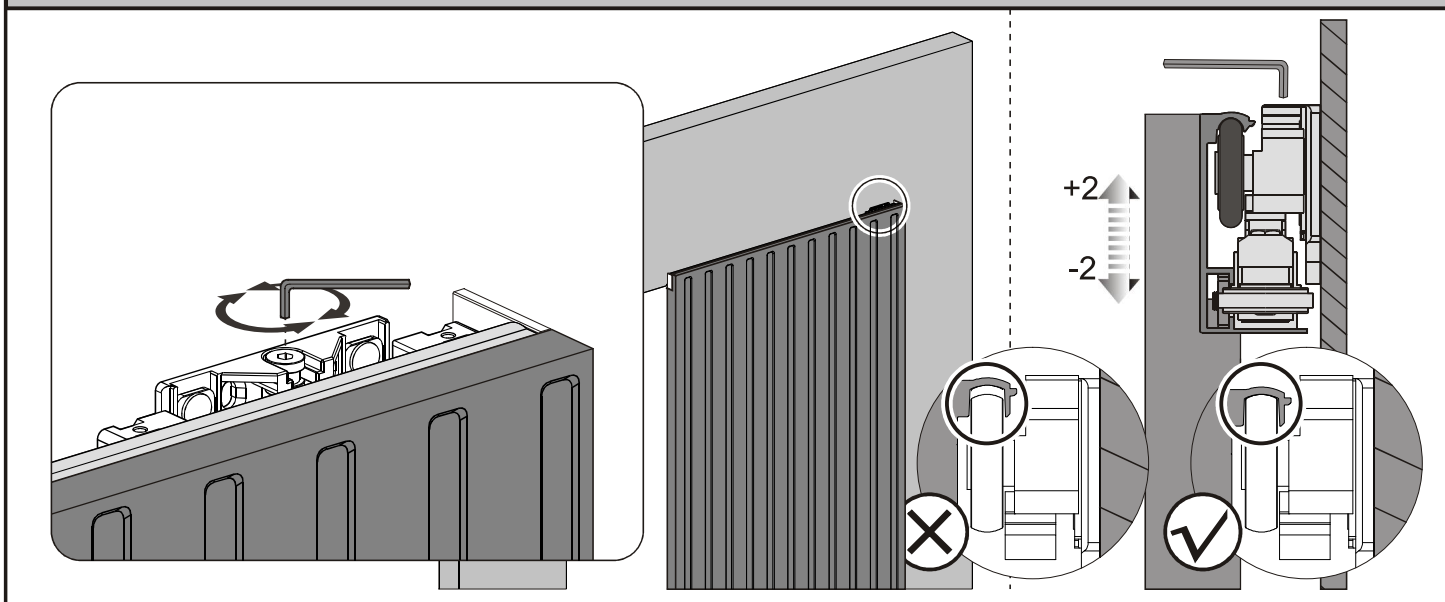
**10c** Mount floor guide.



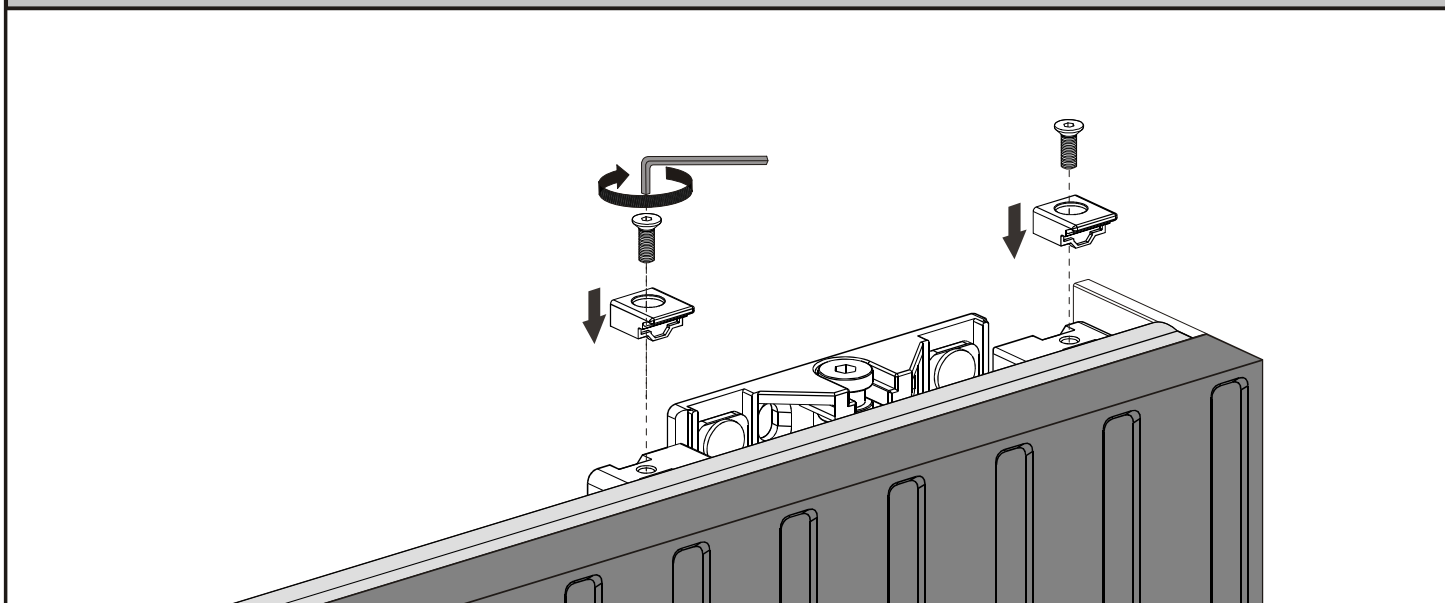
**11** Put the floor guide inside the slot and hang door panel on the hanger. (hanger in the middle of top track)



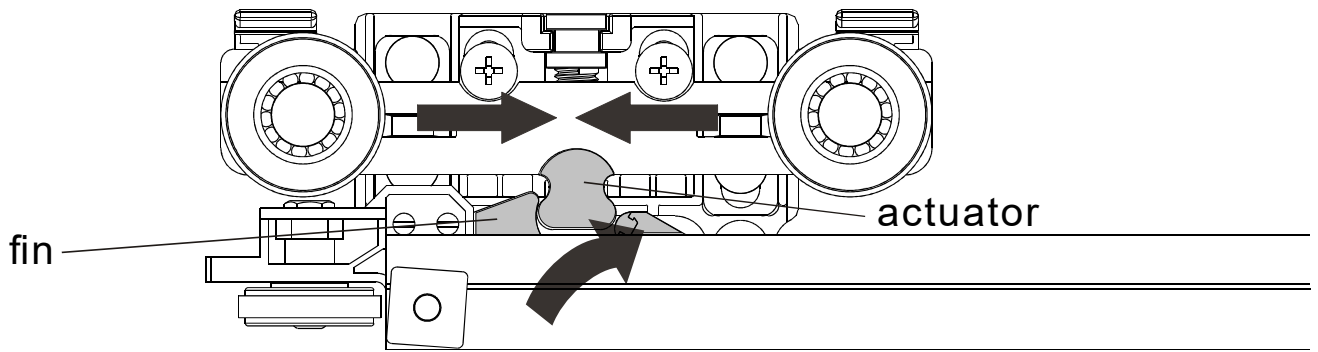
**12** Rotate the screw to adjust the height of the wheel for fitting the rail completely.



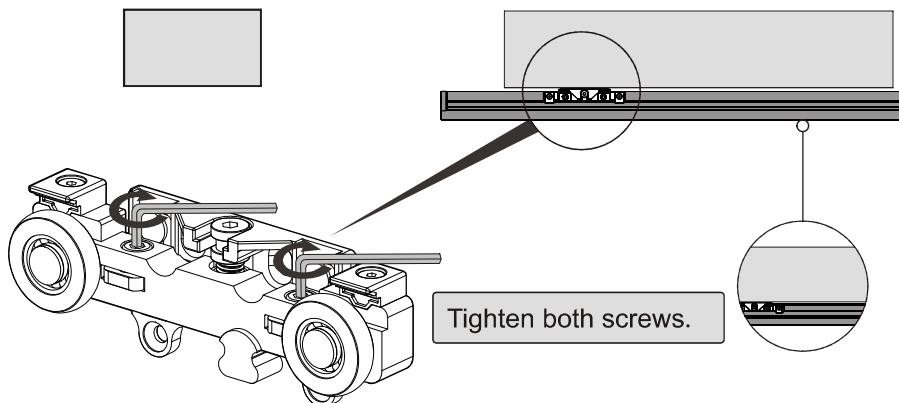
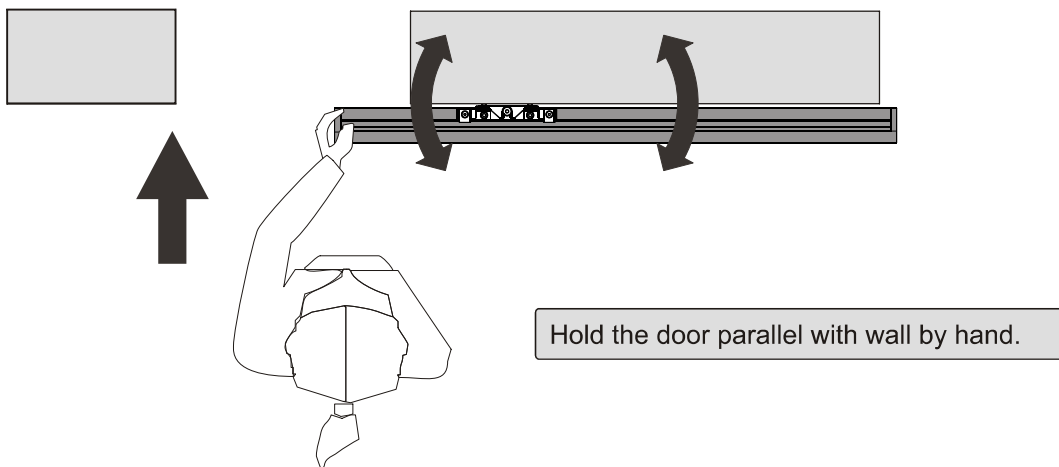
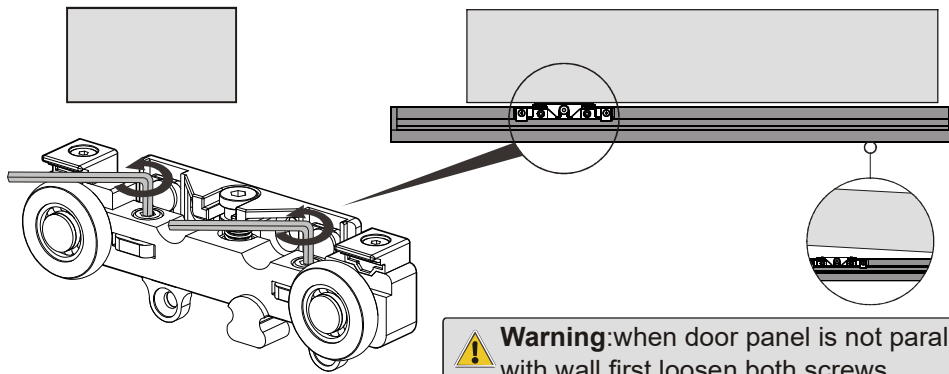
**13** Tighten the anti-jump block screws.



**14** Move the door both left and right to ensure actuator is in between the fins of soft close.



**15** Adjust the door to ensure it is parallel with wall.



# 16 Install the handle.

