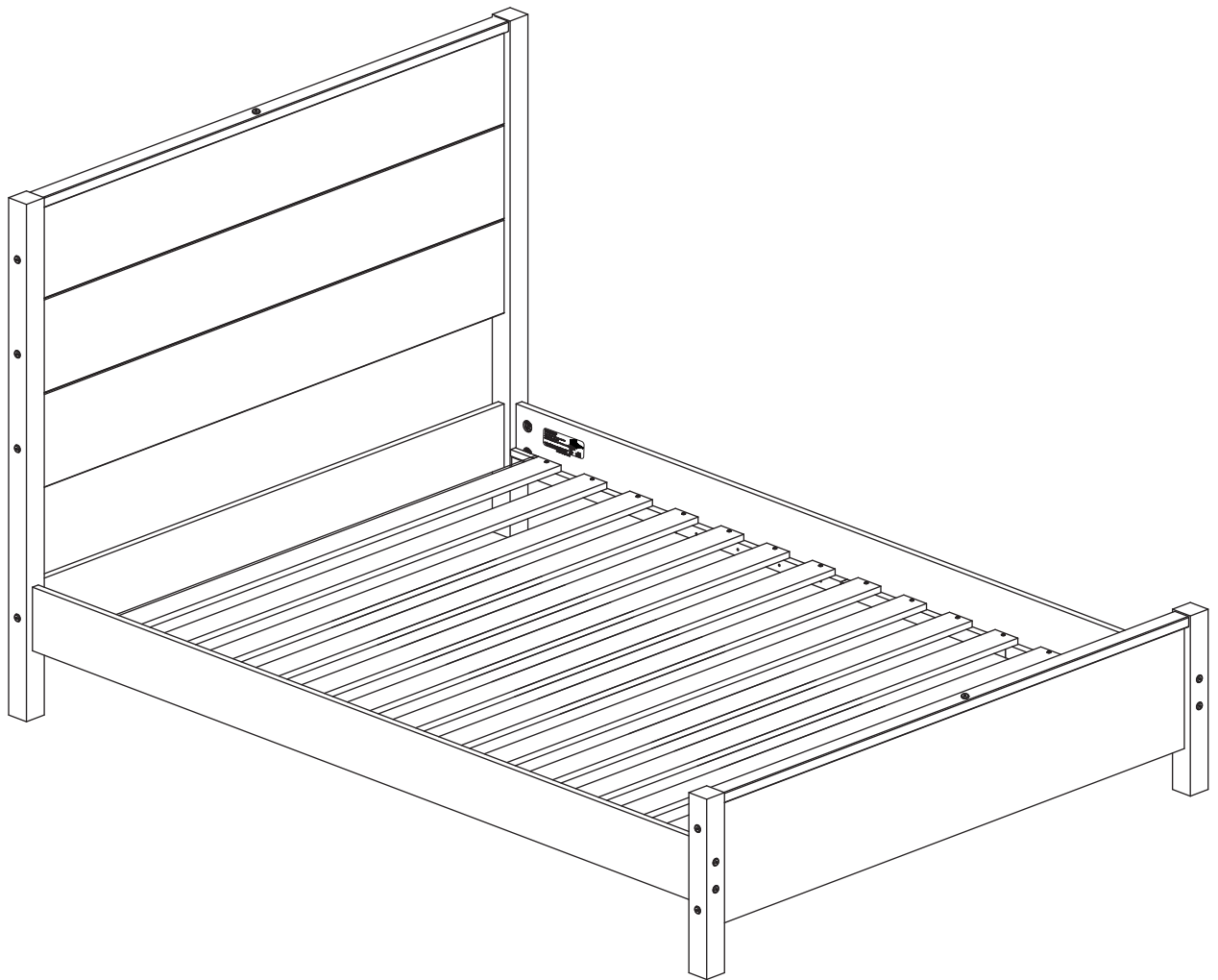


# RUSTIC TWIN BED

## ASSEMBLY INSTRUCTIONS

SKU 6517KK RUSTIC DARK  
SKU 6524KK RUSTIC LIGHT



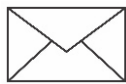
# IMPORTANT PLEASE READ BEFORE YOU CONTINUE FURTHER FOR DOMESTIC USE ONLY CARE AND MAINTENANCE

- After unpacking this product please keep the original packaging in case it needs to be returned for any reason.
- Please ensure all fittings and parts are present before commencing with assembly.
- We recommend that you lay a blanket or sheet on the floor to avoid damage to both your floor and the product.
- We strongly recommend that you keep children away from your work area.
- Assemble this product as close to its final position as possible
- Never drag or push products as this could cause damage to the joints making it inferior.
- Do not drag or push items across your furniture as this may cause the surface to scratch.
- Do not place this product next to radiator or in direct sunlight.
- Wood is a natural product and may expand if subjected to damp and may shrink or crack if subjected to heat. Therefore it is recommended that room temperature is maintained, with no sudden temperature fluctuations.
- Make sure any spillage is Wiped off immediately.
- Do not place hot or chilled items directly on to the surface, use a place mat or marking will occur.
- For general cleaning use soft cotton or micro fibre cloth and do not use detergents of any kind.
- Do not place on a wet or damp floor as staining may occur to your floor.
- From time to time it may be necessary to tighten fittings, regular inspections should be carried out.

---

## how to contact us:

More details how to assemble your product at: [seconique-us.com](http://seconique-us.com) then follows:



[info@seconiqueus.com](mailto:info@seconiqueus.com)



[seconique-us.com](http://seconique-us.com)

---

[seconique-us.com](http://seconique-us.com)



[seconique-us.com](http://seconique-us.com)

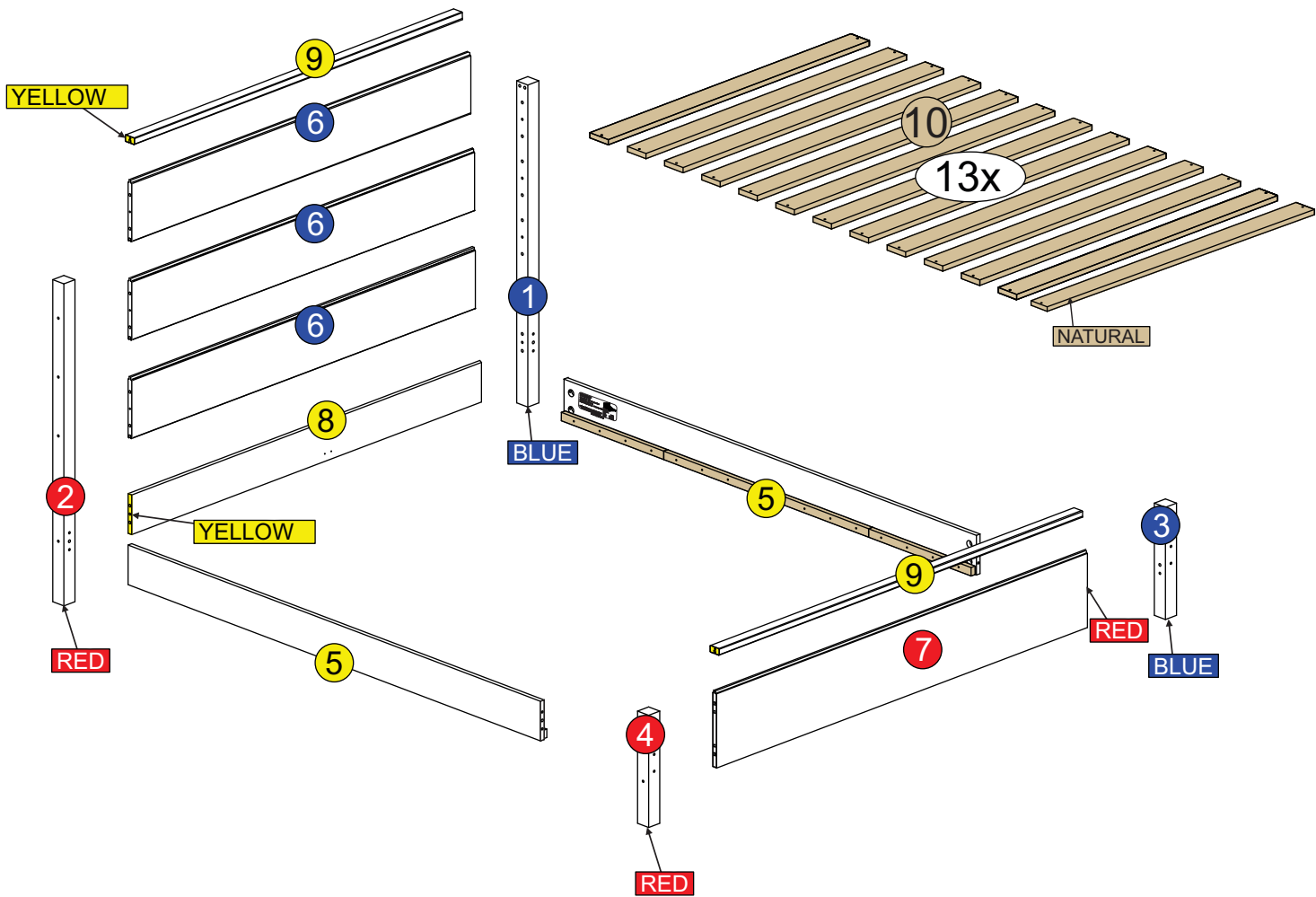
 YouTube



seconique US



@seconiqueus



\* Use of power tools to assemble this product will invalidate any claim and damage this product making it unsafe !!!  
 \* Please assemble on a clean soft surface to avoid damage.



\* Please check contents and read the instructions before commencing assembly.  
 \* Assemble this product following the enclosed instructions carefully.  
 \* Please take care to avoid damaging panels during assembly.

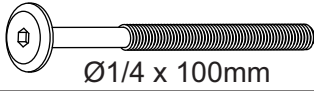
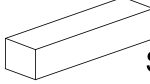
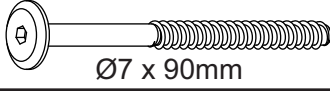


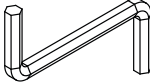


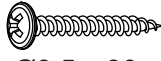
### PARTS LIST

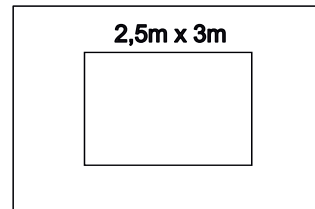
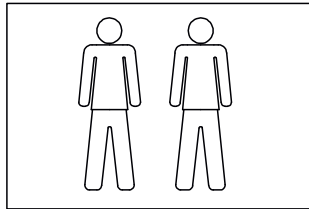
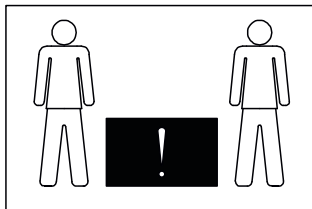
*Please Note:*

The parts below have been stamped with the part number/color to help identify them during assembly

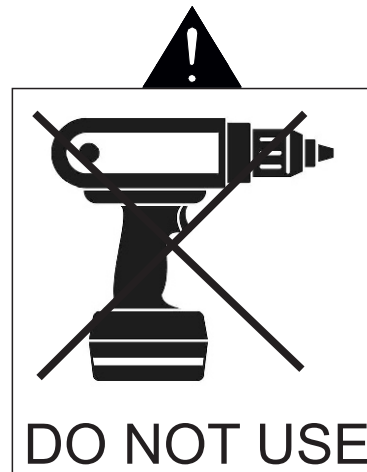
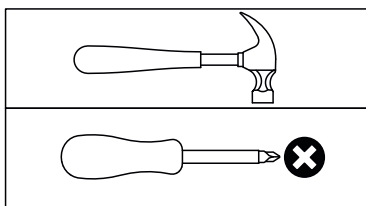
Part Number/ Color	Part Description	Quantity	Carton
1	Right headboard leg (BLUE)	1	1/2
2	Left headboard leg (RED)	1	1/2
3	Right footboard leg (BLUE)	1	1/2
4	Left footboard leg (RED)	1	1/2
5	Side rail	2	1/2
6	Headboard panel	3	2/2
7	Footboard panel (RED)	1	2/2
8	Lower headboard rail (YELLOW)	1	2/2
9	Upper headboard and footboard trim (YELLOW)	2	1/2
10	Slats (NATURAL)	13	2/2

# FITTINGS

A	 Ø1/4 x 100mm	08	G	 SPACER	02
B	 Ø7 x 90mm	10	H	 Glue	01
C	 Ø4,5 x 35mm <b>BLACK</b>	02	I		01
D	 Ø10 x 40mm	30			
E		08			
F	 Ø3,5 x 30mm	26			



## TOOLS REQUIRED



**!**

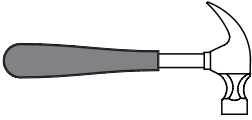
- \* Use of power tools to assemble this product will invalidate any claim and damage this product making it unsafe !!!
- \* Please assemble on a clean soft surface to avoid damage.

**!**

- \* Please check contents and read the instructions before commencing assembly.
- \* Assemble this product following the enclosed instructions carefully.
- \* Please take care to avoid damaging panels during assembly.

# STEP 1

## TOOLS REQUIRED



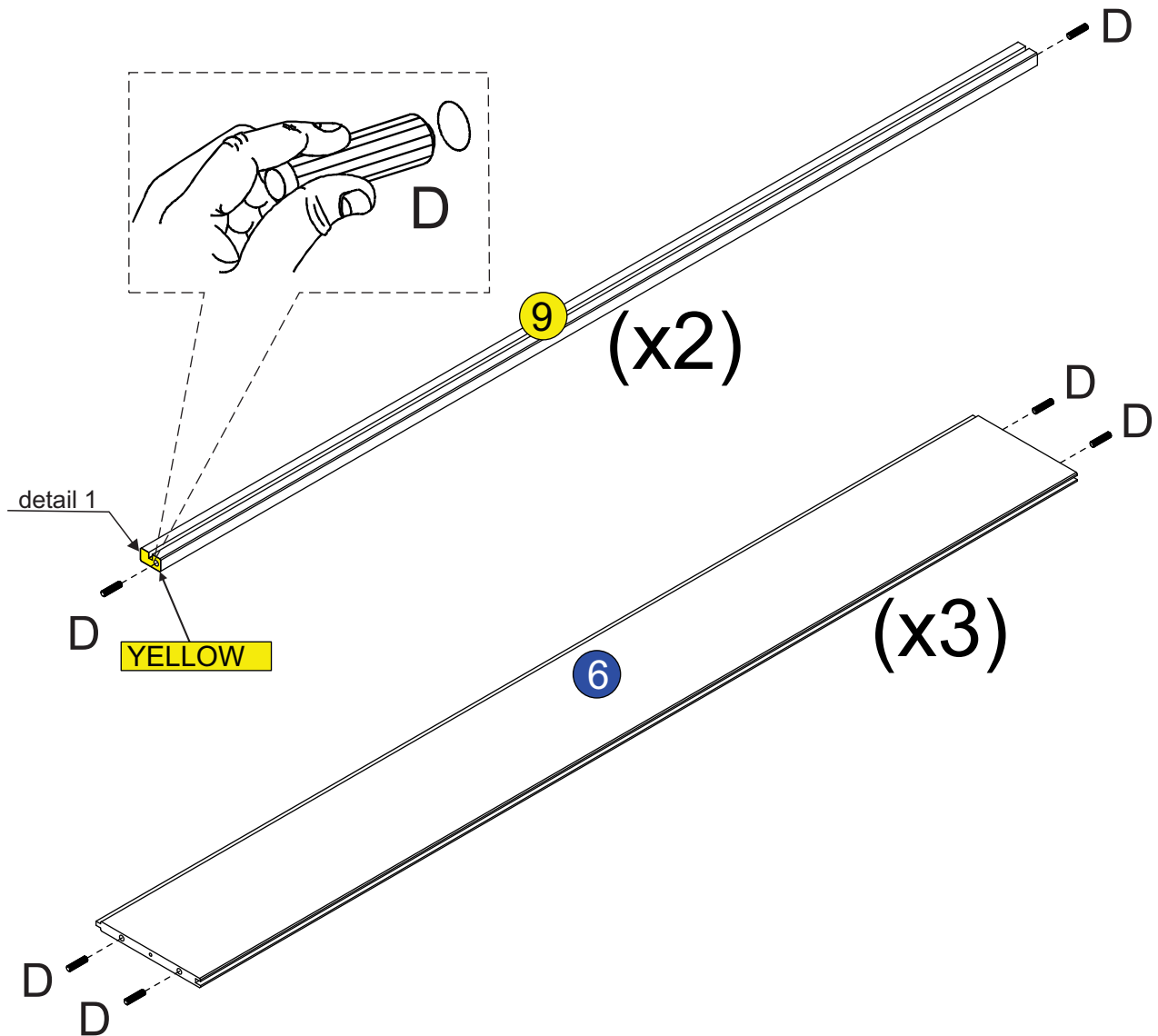
## PARTS REQUIRED

6 - Headboard panel x3

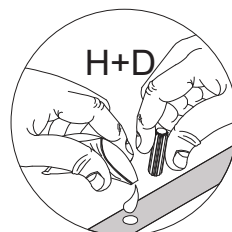
9 - Upper hdbd/ftbd trim (YELLOW) x2

## HARDWARE REQUIRED

D	 Ø10 x 40mm	16
H	 Glue	01



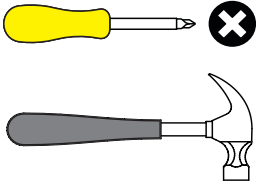
Please assemble on a clean soft surface to avoid damage.



Detail 1

# STEP 2

## TOOLS REQUIRED

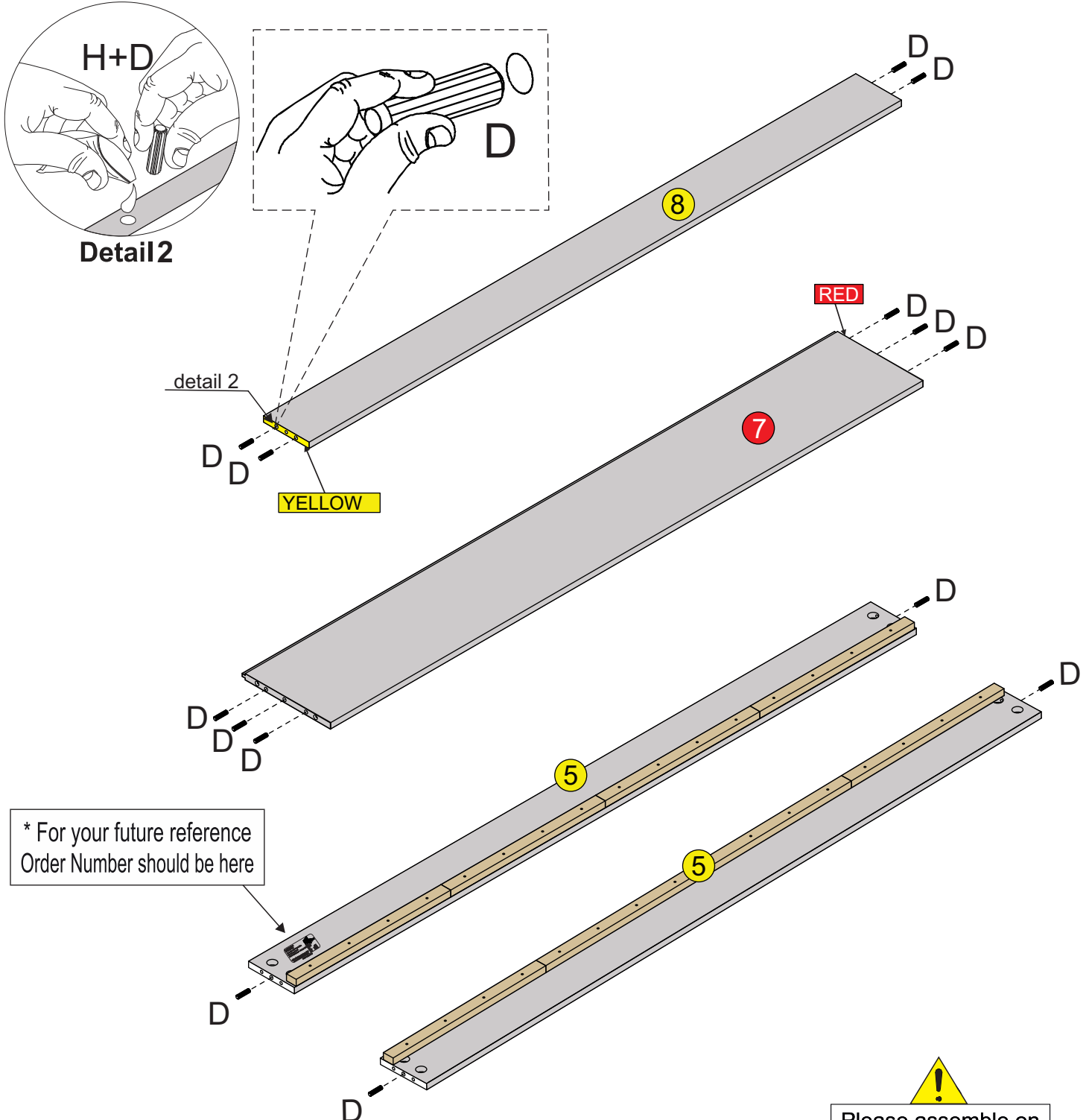


## PARTS REQUIRED

5 - Side rail	x2
7 - Footboard panel ( <b>RED</b> )	x1
8 - Lower headboard rail ( <b>YELLOW</b> )	x1

## HARDWARE REQUIRED

D	 Ø10 x 40mm	14
H	 Glue	01

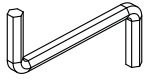


\* For your future reference  
Order Number should be here

Please assemble on  
a clean soft surface  
to avoid damage.

# STEP 3

## TOOLS REQUIRED

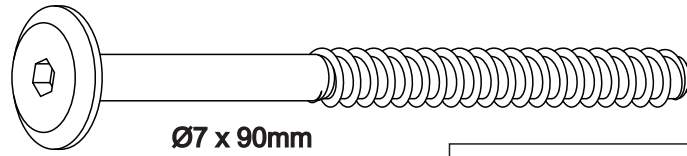
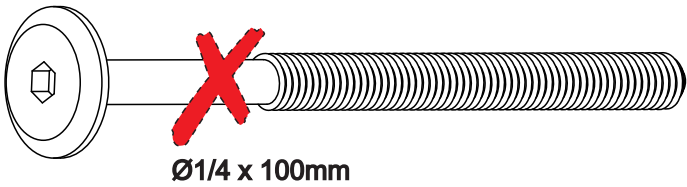


## PARTS REQUIRED

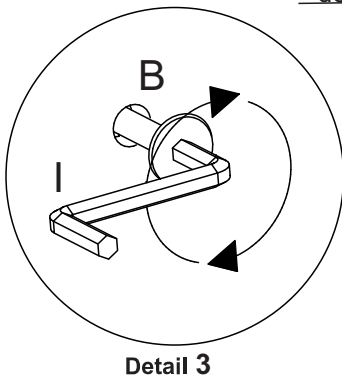
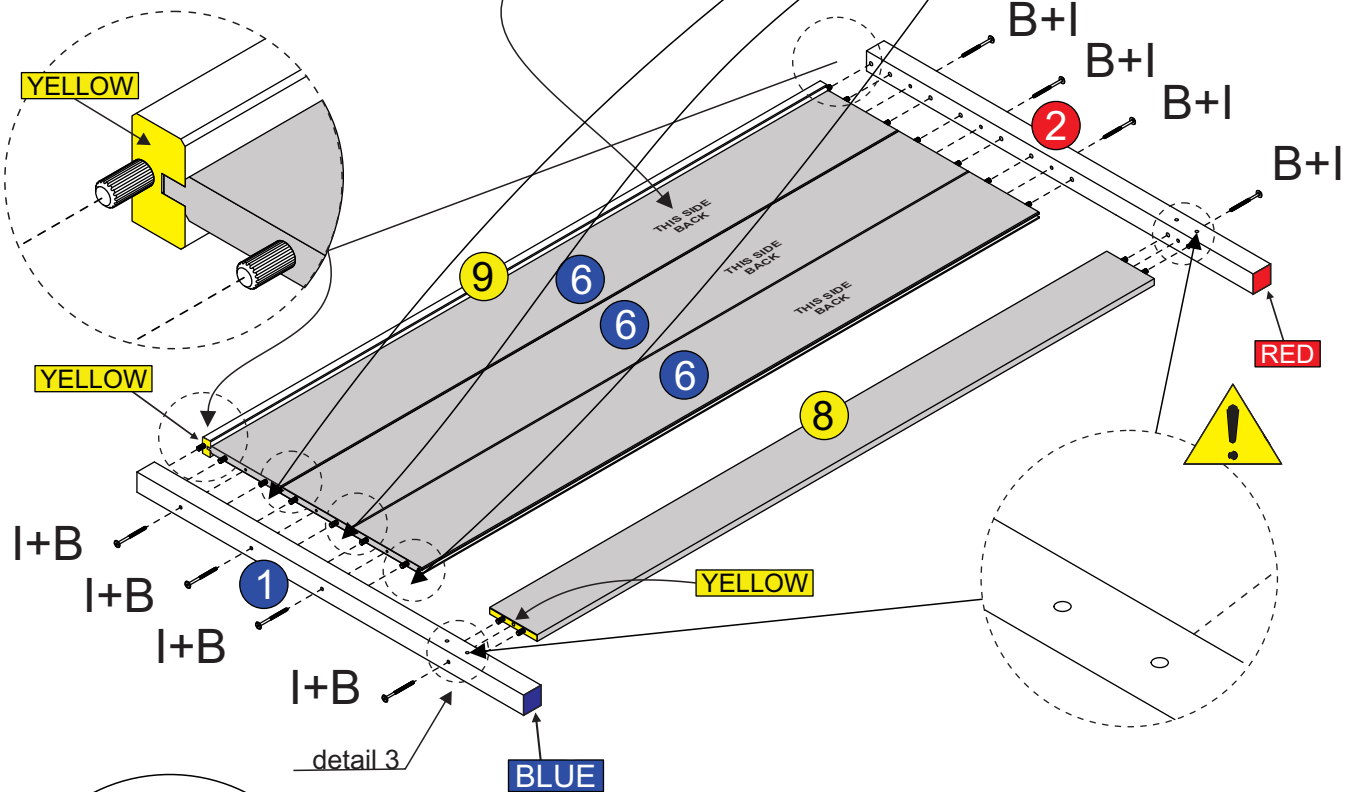
1 - Right headboard leg (BLUE)	x1
2 - Left headboard leg (RED)	x1
6 - Headboard panel	x3
10 - Lower headboard rail (YELLOW)	x1
9 - Upper hdbd/ftbd trim (YELLOW)	x1

## HARDWARE REQUIRED

B		08
I		01



**THIS SIDE  
BACK**



**Please assemble on  
a clean soft surface  
to avoid damage.**

# STEP 4

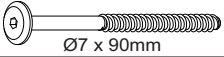

## TOOLS REQUIRED

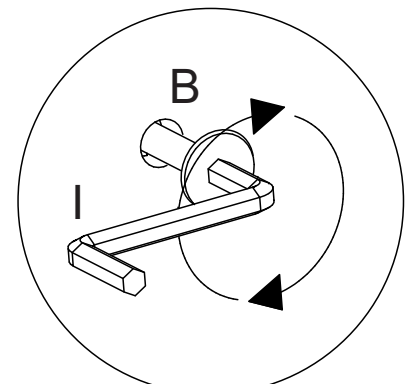
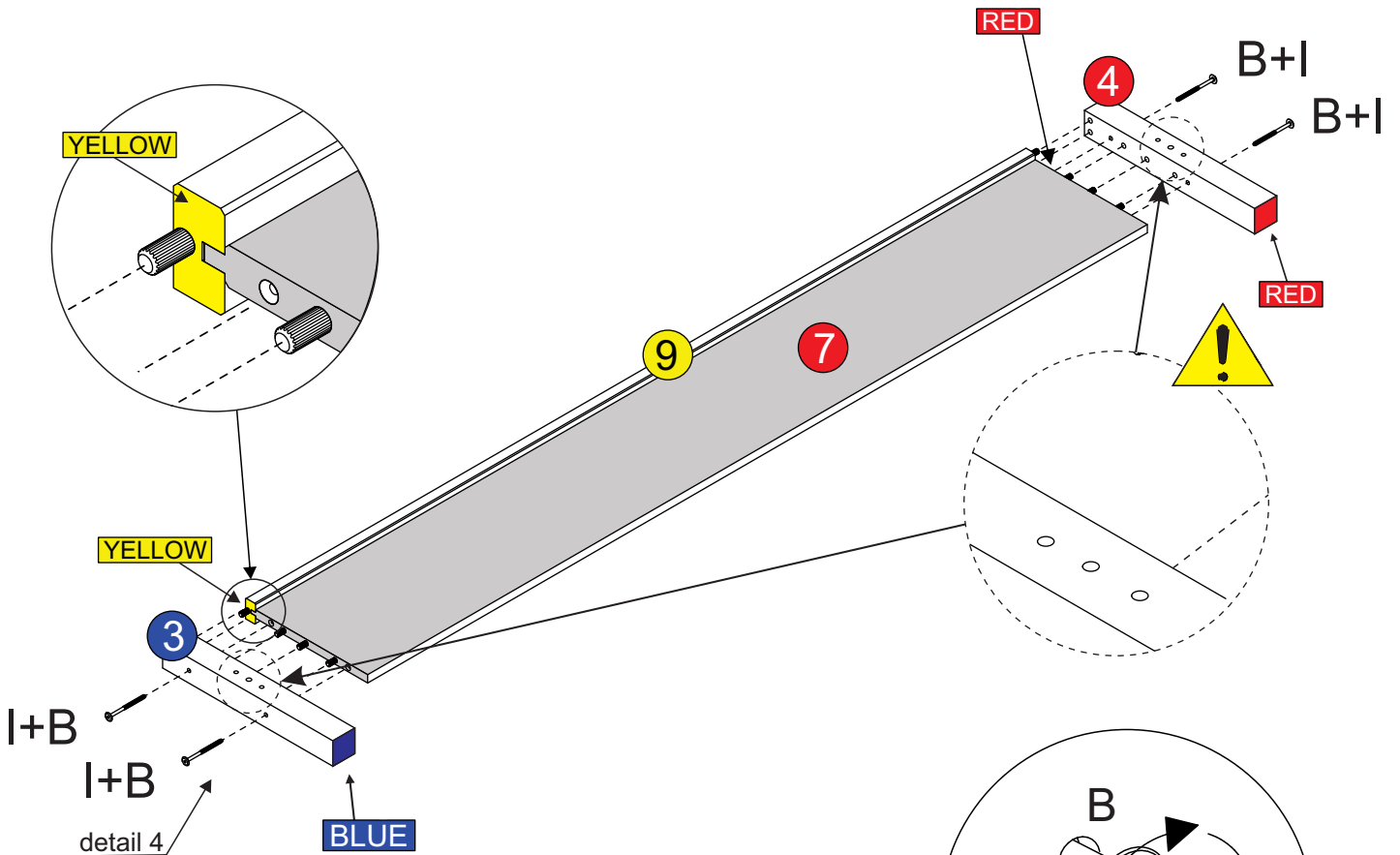
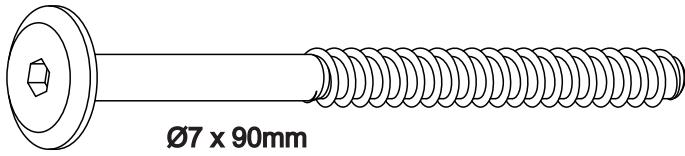
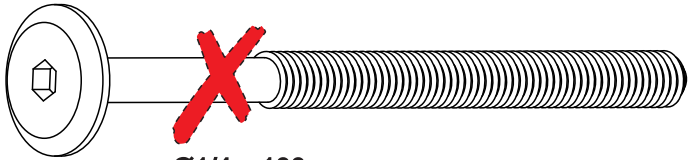


## PARTS REQUIRED

3 - Right footboard leg (BLUE)	x1
4 - Left footboard leg (RED)	x1
7 - Footboard panel (RED)	x1
9 - Upper hdbd/ftbd trim (YELLOW)	x1

## HARDWARE REQUIRED

B		04
I		01



Detail 4

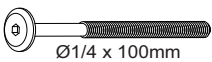

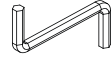
 Please assemble on a clean soft surface to avoid damage.

# STEP 5

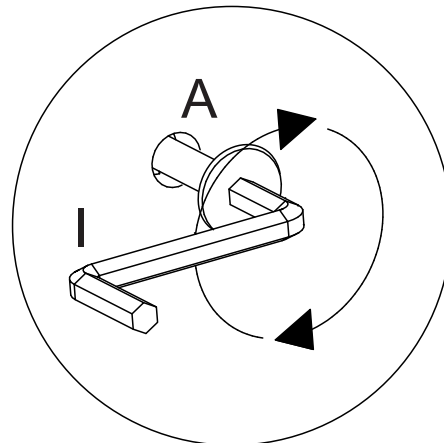
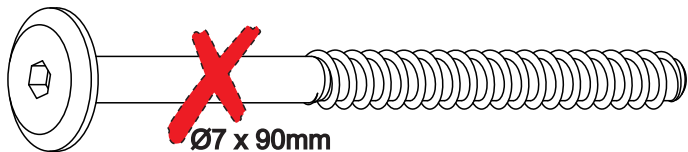
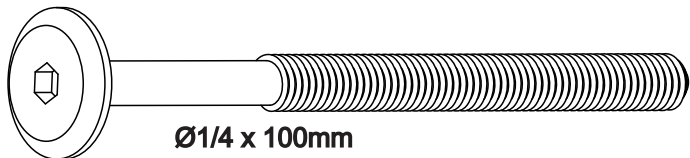
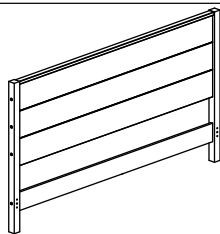
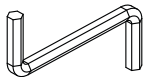
## PARTS REQUIRED

5 - Side rail x2

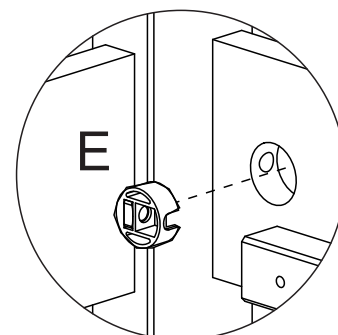
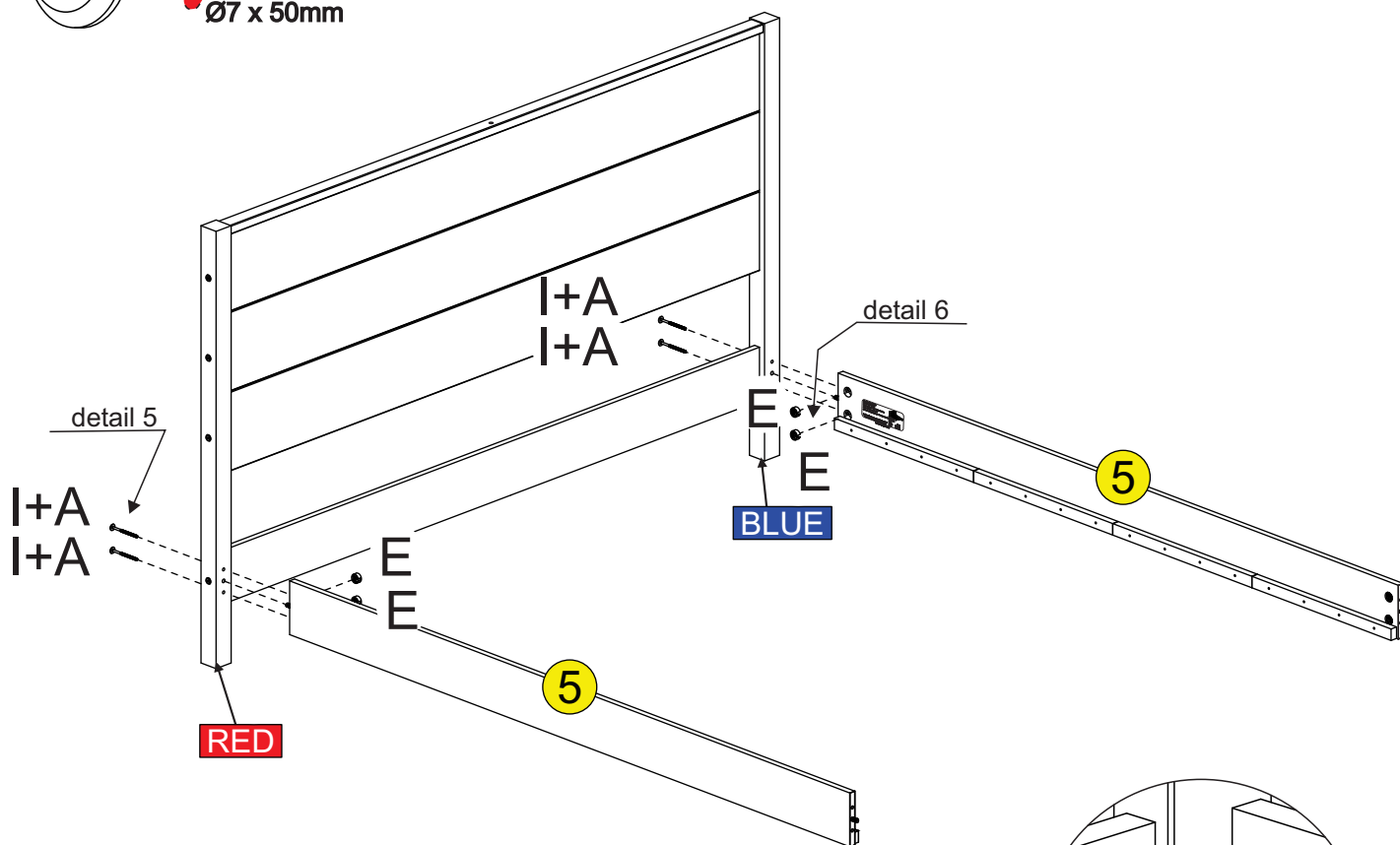
## HARDWARE REQUIRED

A	 Ø1/4 x 100mm	04
E		04
I		01

## TOOLS REQUIRED



Detail 5



Detail 6



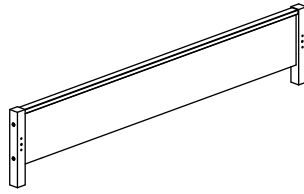
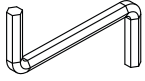
Please assemble on a clean soft surface to avoid damage.

# STEP 6

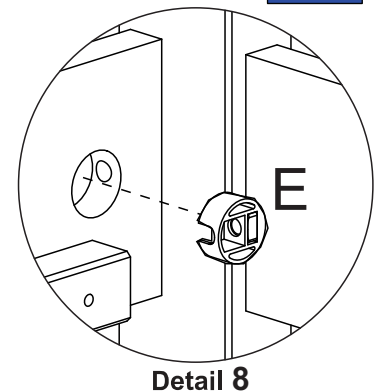
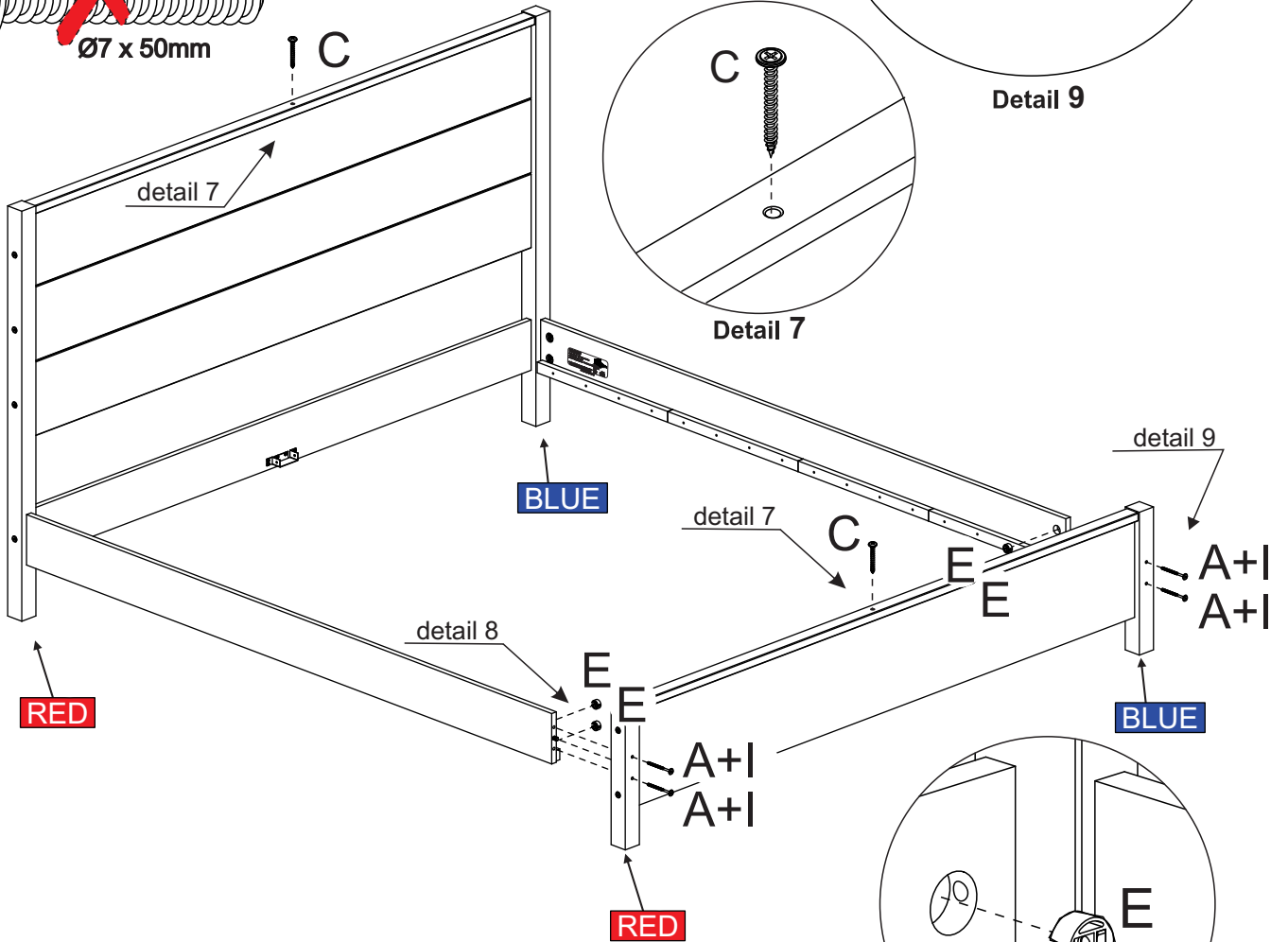
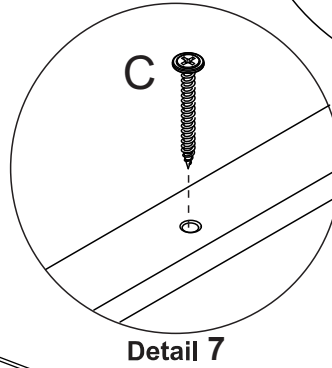
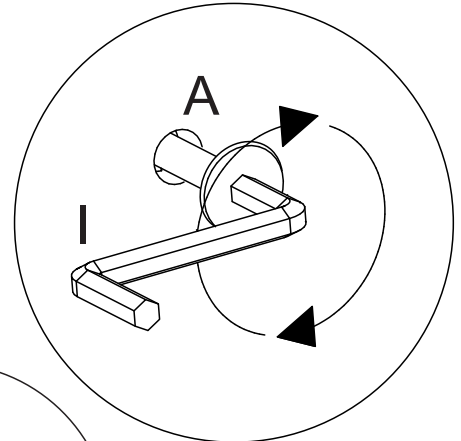
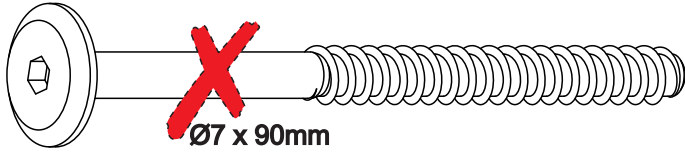
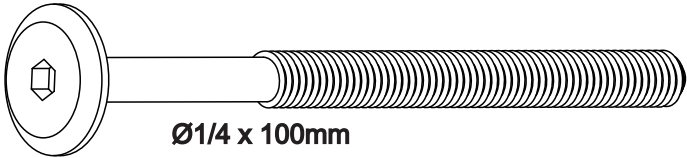
## PARTS REQUIRED

## HARDWARE REQUIRED

### TOOLS REQUIRED



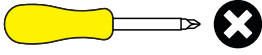
A	Ø1/4 x 100mm	04
E		04
I		01
C	Ø4,5 x 35mm <b>BLACK</b>	02



Please assemble on a clean soft surface to avoid damage.

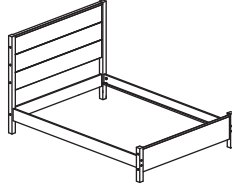
# STEP 7

## TOOLS REQUIRED


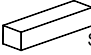


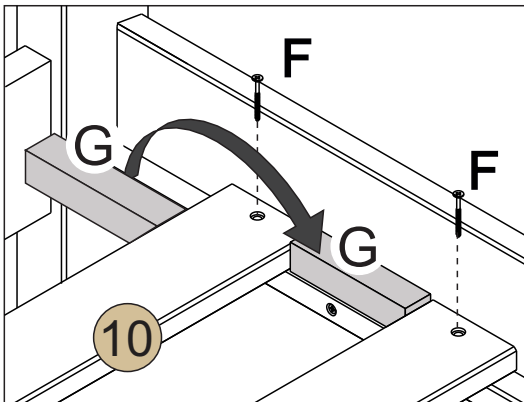
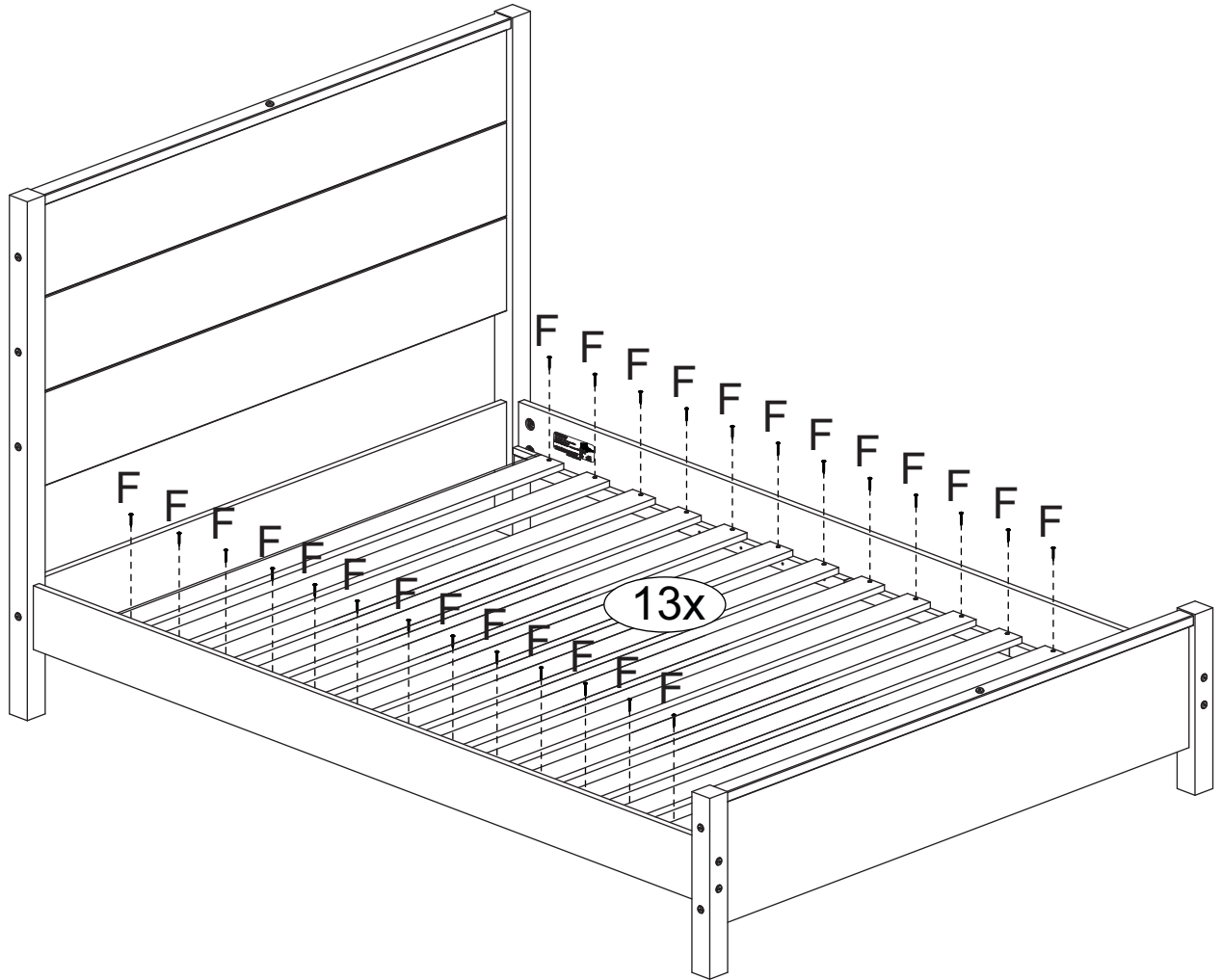
## PARTS REQUIRED


10 - Slats (NATURAL) x13



## HARDWARE REQUIRED

F	 Ø3,5 x 30mm	26
G	 SPACER	02



  
Please fix the first slats as show the image using the spacer wood adjacent to the headboard and footboard and work towards the middle of the bed using the spacer as shown to ensure correct spacing. Fix all the slats to one siderail first then push the second siderail tight against the slats and fix. Please retain the Allen Key and use periodically to check that all bolts are right

