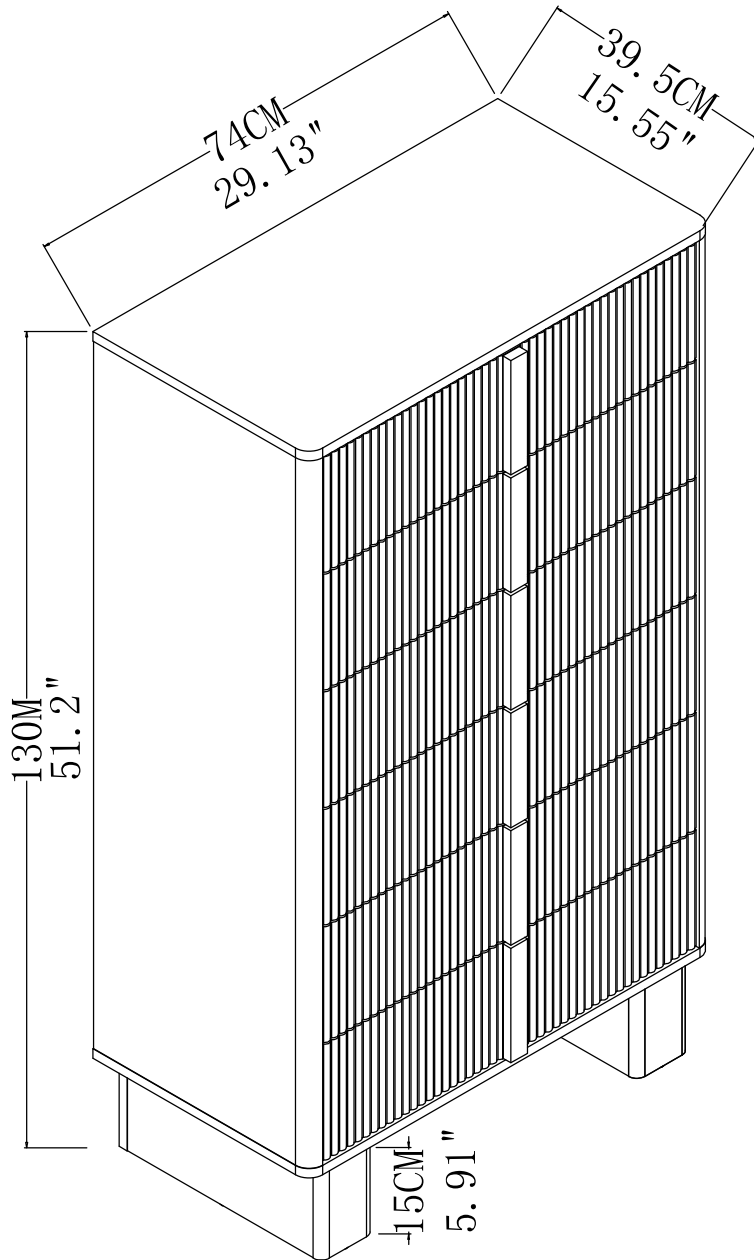
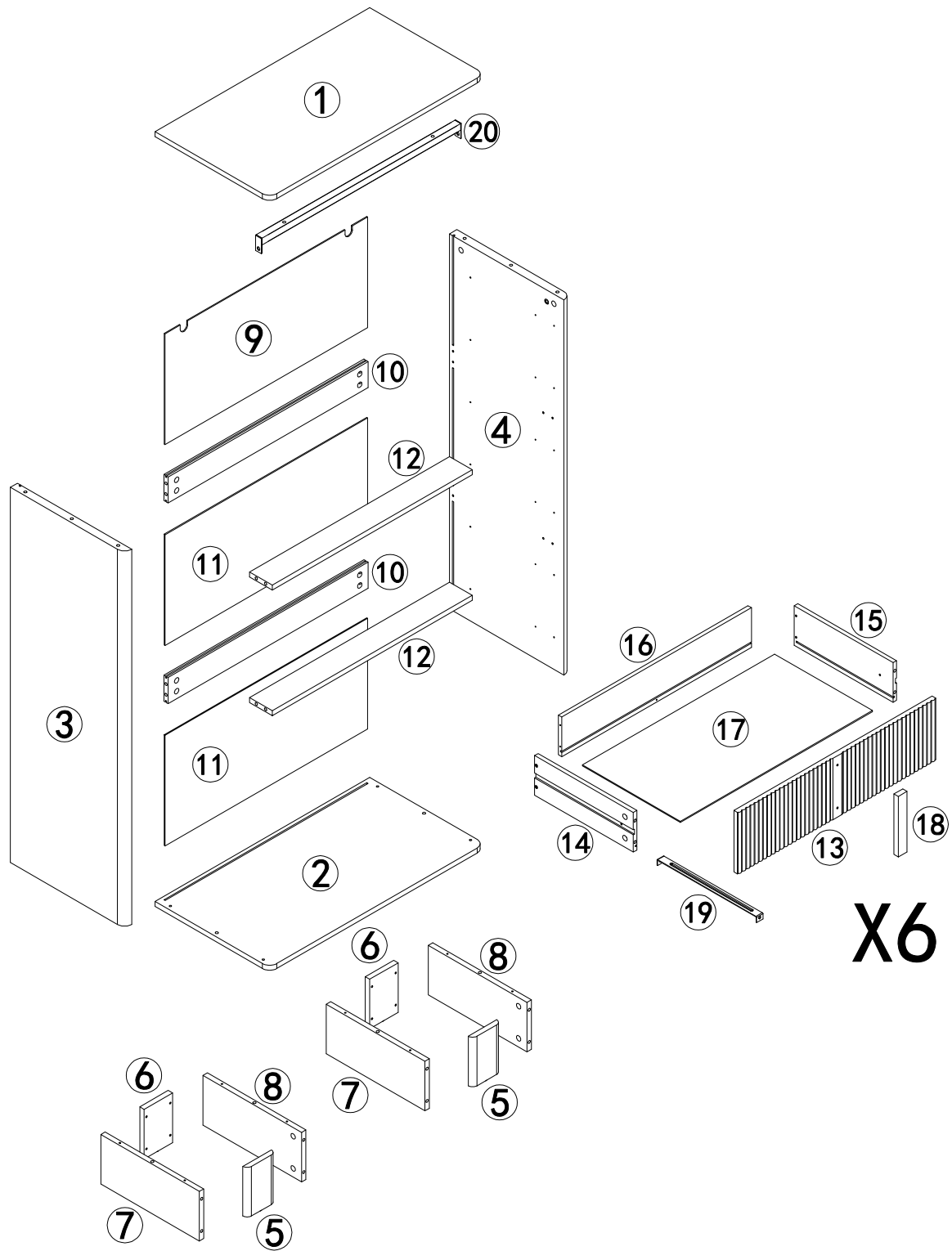


Assembly Instruction of (Cabinet)

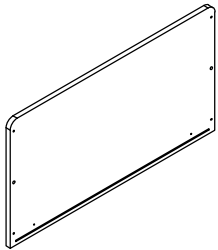
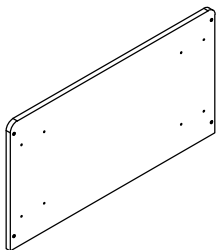
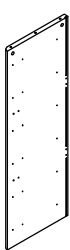

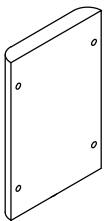

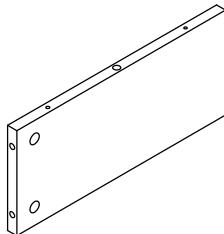
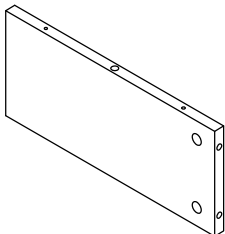
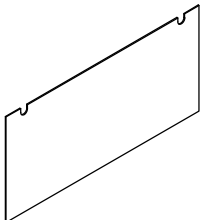
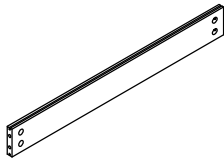
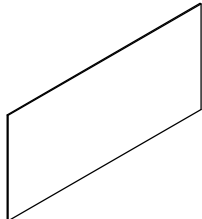
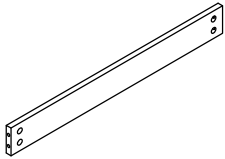
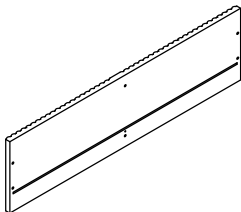
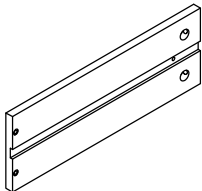
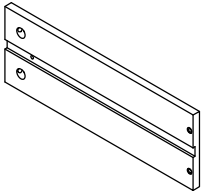
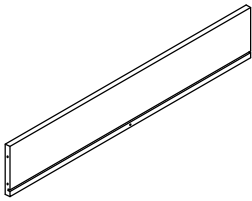
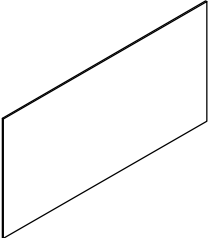

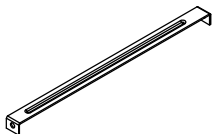
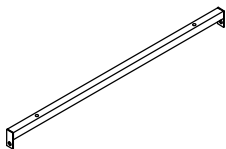




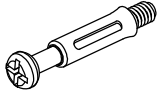
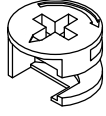

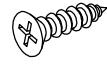
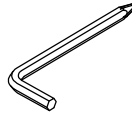
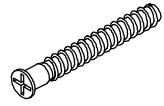
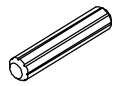
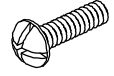
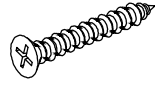
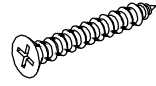
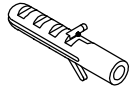



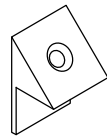
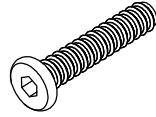
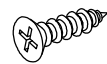
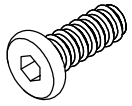
⚠ Caution

Please ensure all parts are included. Most board components are labeled or stamped on the raw edges. If you find any damaged or missing parts, feel free to contact us for a free replacement.

Parts List

			
① 1PC	② 1PC	③ 1PC	④ 1PC
			
⑤ 2PCS	⑥ 2PCS	⑦ 2PCS	⑧ 2PCS
			
⑨ 1PC	⑩ 2PCS	⑪ 2PCS	⑫ 2PCS
			
⑬ 6PCS	⑭ 6PCS	⑮ 6PCS	⑯ 6PCS
			
⑰ 6PCS	⑱ 6PCS	⑲ 6PCS	⑳ 1PC

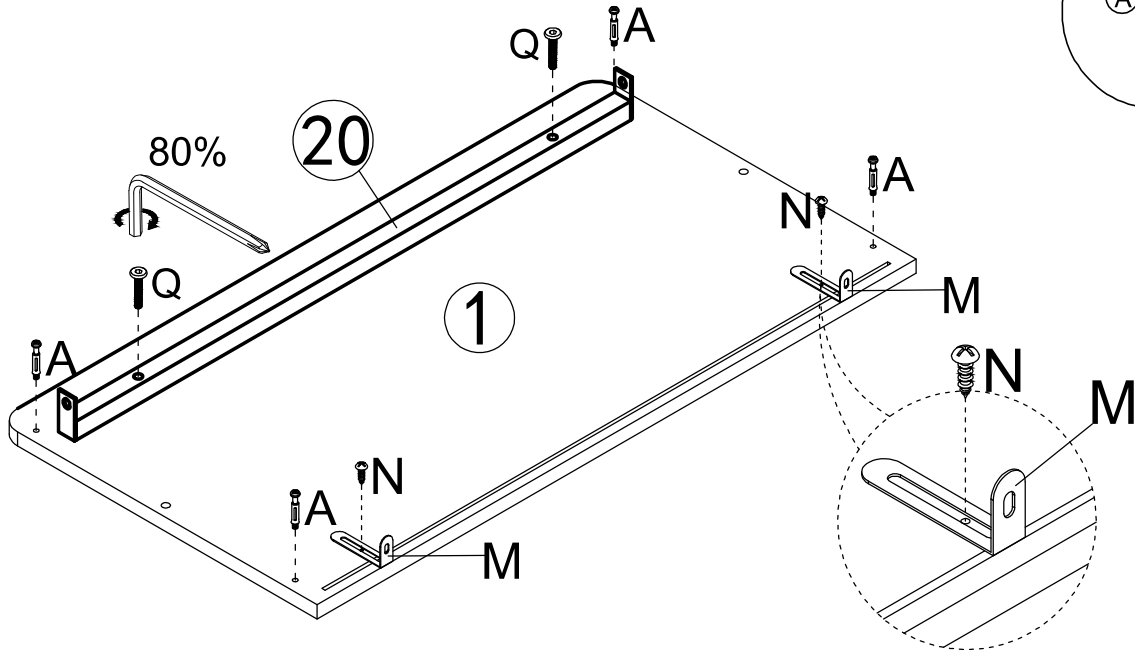
Hardware List

A	B	C	D	E	F
		 Silver Color M3.5x14mm	 Black Color M3x16mm		
M6x35mm	Ø15x9mm			4mm	M5x40mm
52PCS	52PCS	36PCS	12PCS	1PC	20PCS
G	H	I	J	K	M
					
Ø8x30mm	M4x10mm	M4x25mm	M4x35mm	Ø6x30mm	
8PCS	12PCS	12PCS	26PCS	2PCS	2PCS
N	O	P	Q	R	S
					
M4x12mm			M6x30mm	M3.5x12mm	M6x12mm
2PCS	12PCS	12PCS	2PCS	12PCS	2PCS



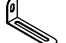

STEP 1



Tighten Screw Q
to 80% only, not 100%.

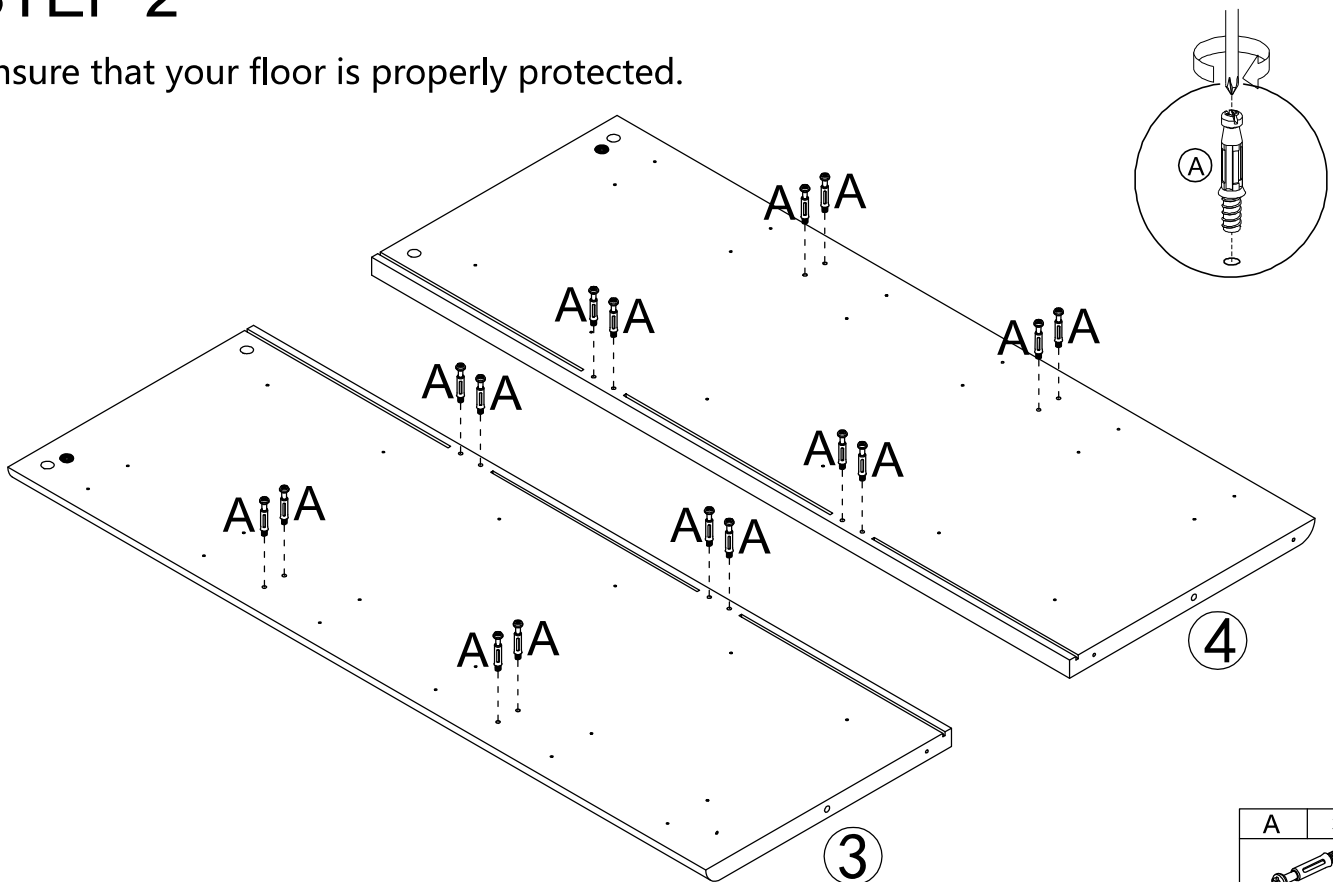



Ensure that your floor is properly protected.

Q	x2	A	x4	M	x2	N	x2
							
M6x30mm		M6x35mm				M4x12	

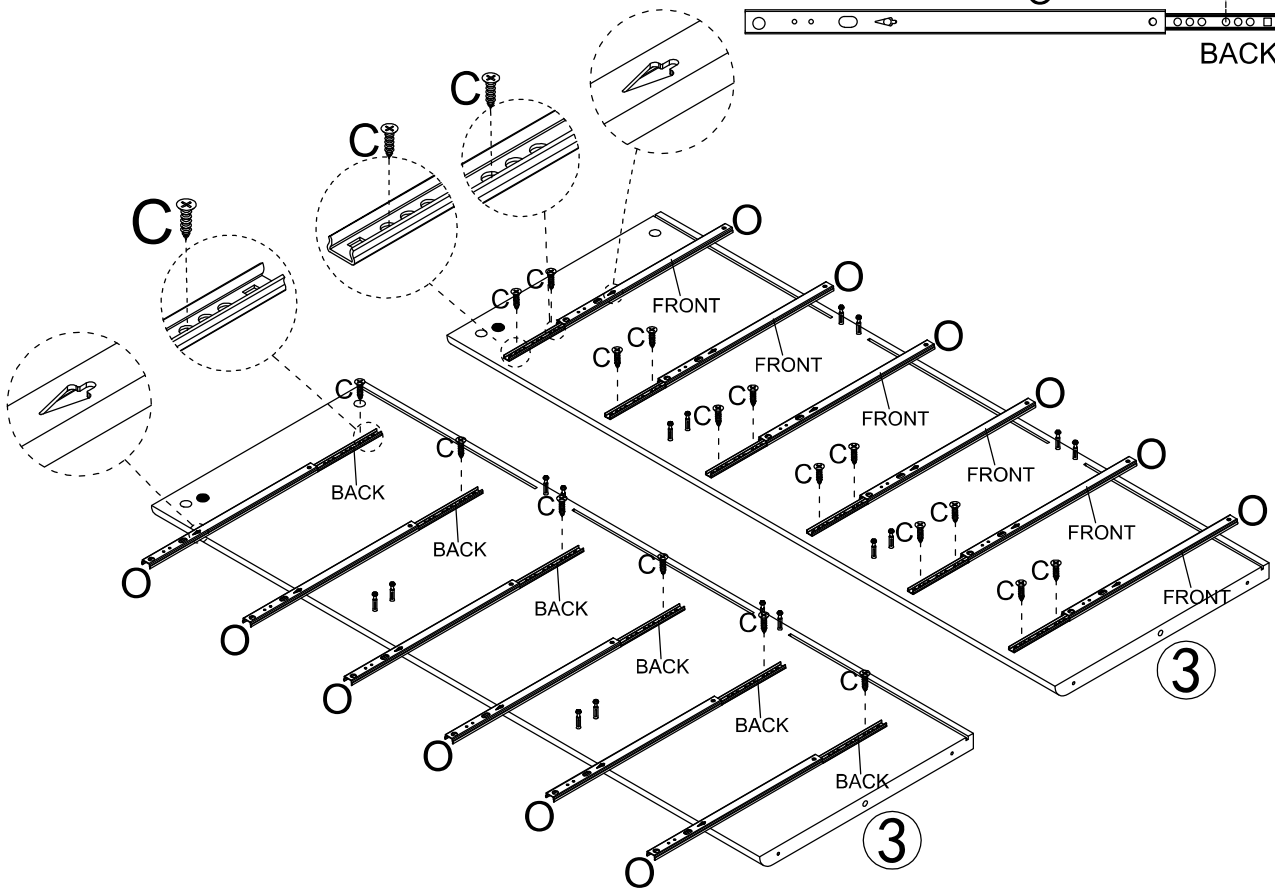
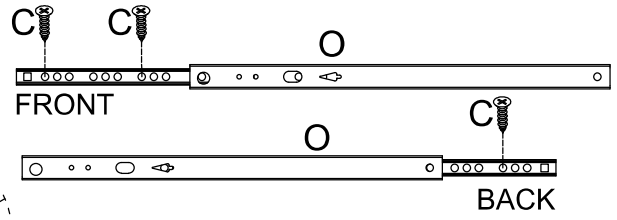
STEP 2

Ensure that your floor is properly protected.

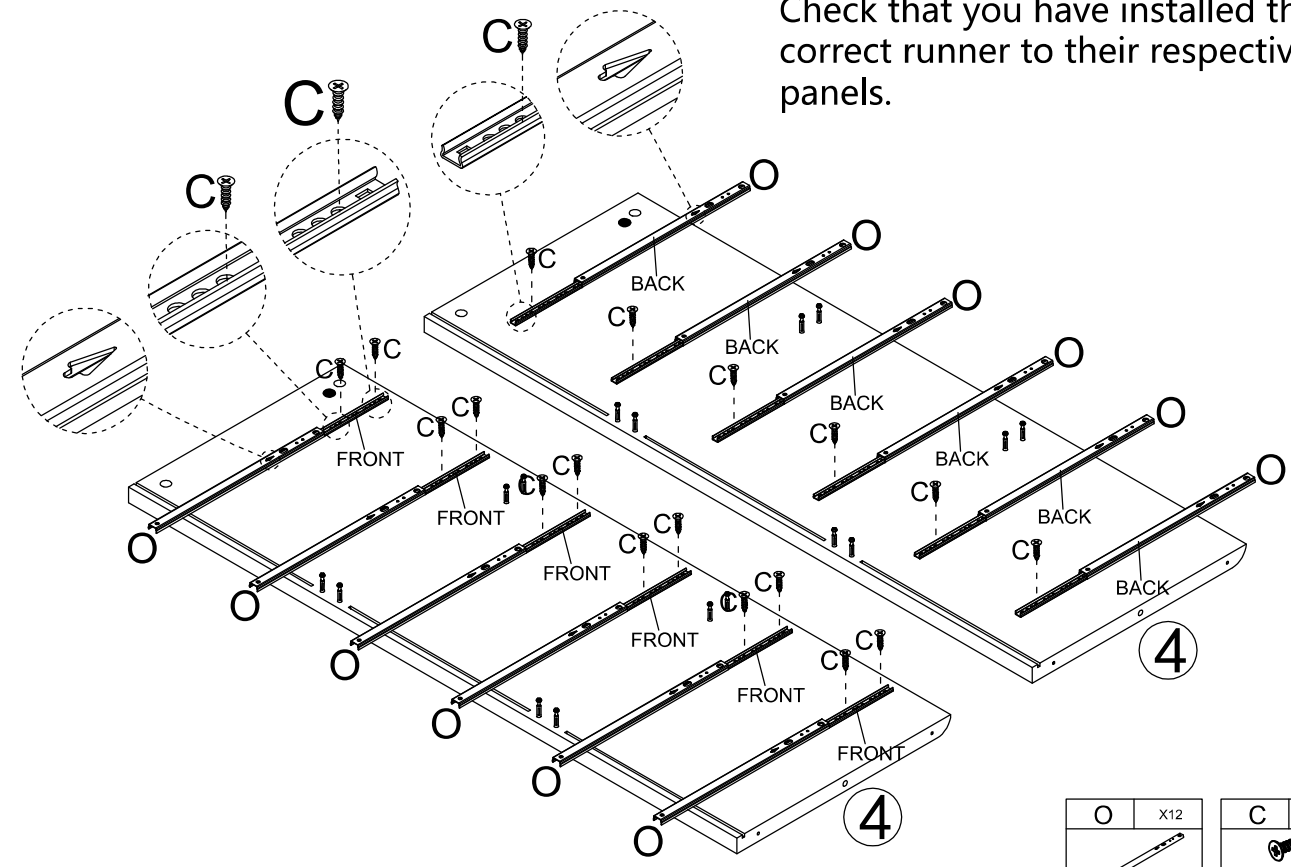


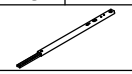

A	x16
	
M6x35mm	

STEP 3

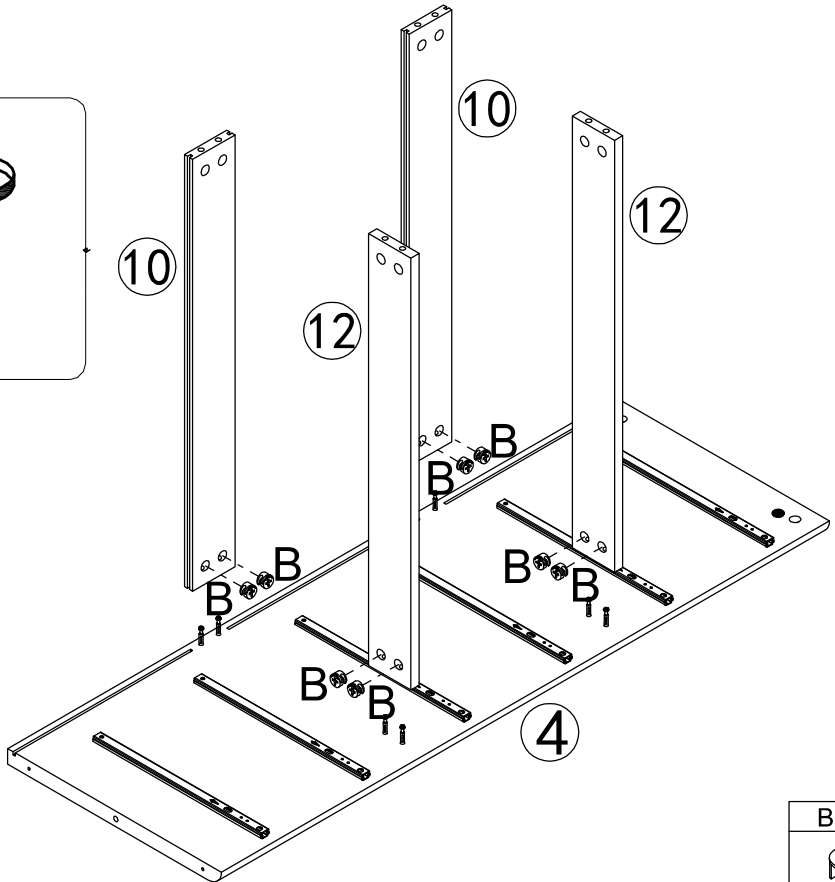
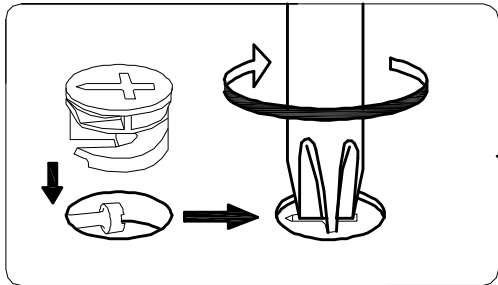


Check that you have installed the correct runner to their respective panels.



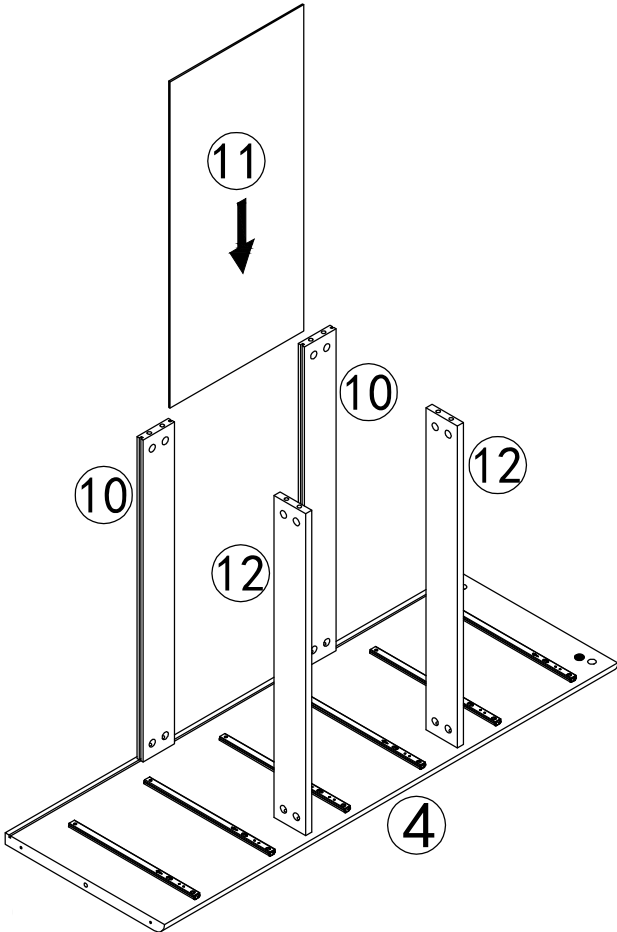
O	X12	C	X36
		 Silver color M3.5x14mm	

STEP 4

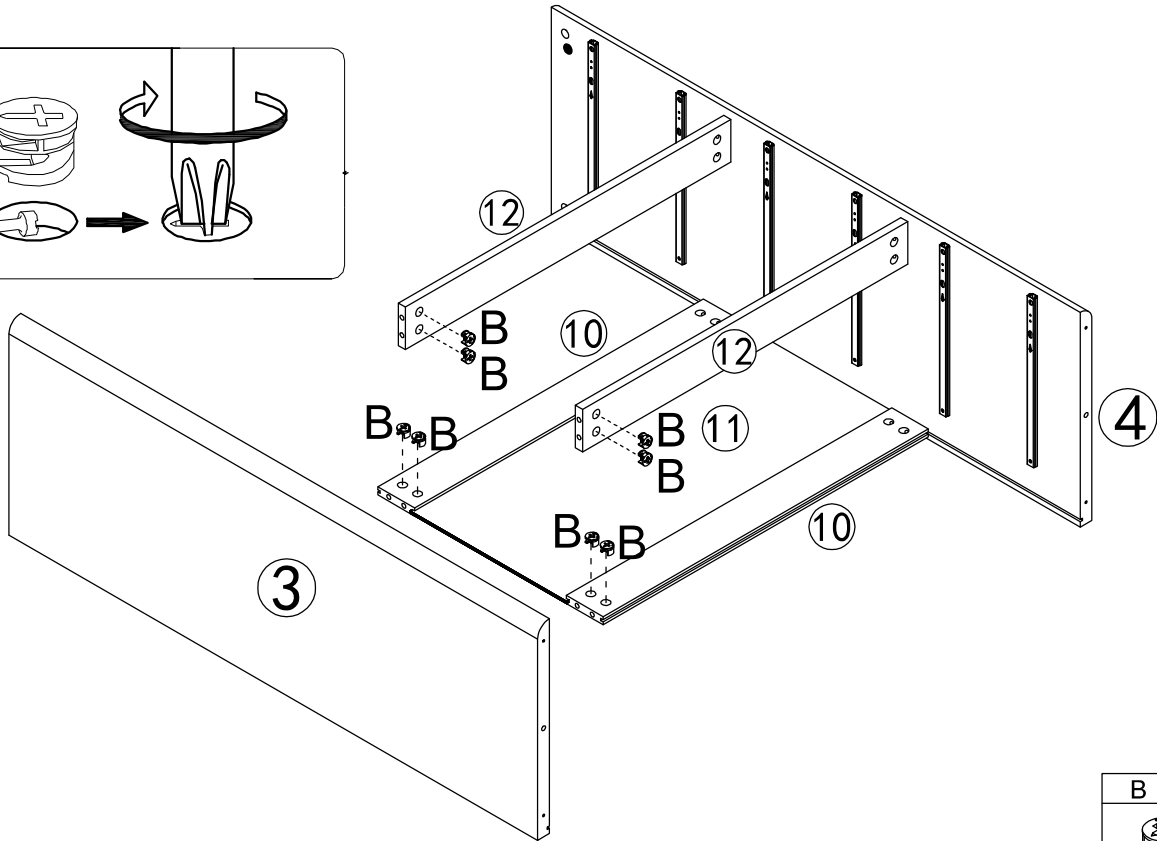
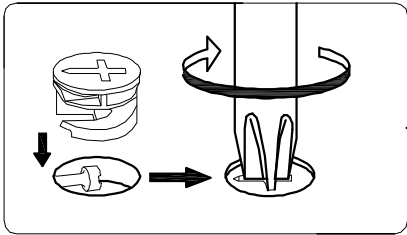


B	X8

STEP 5

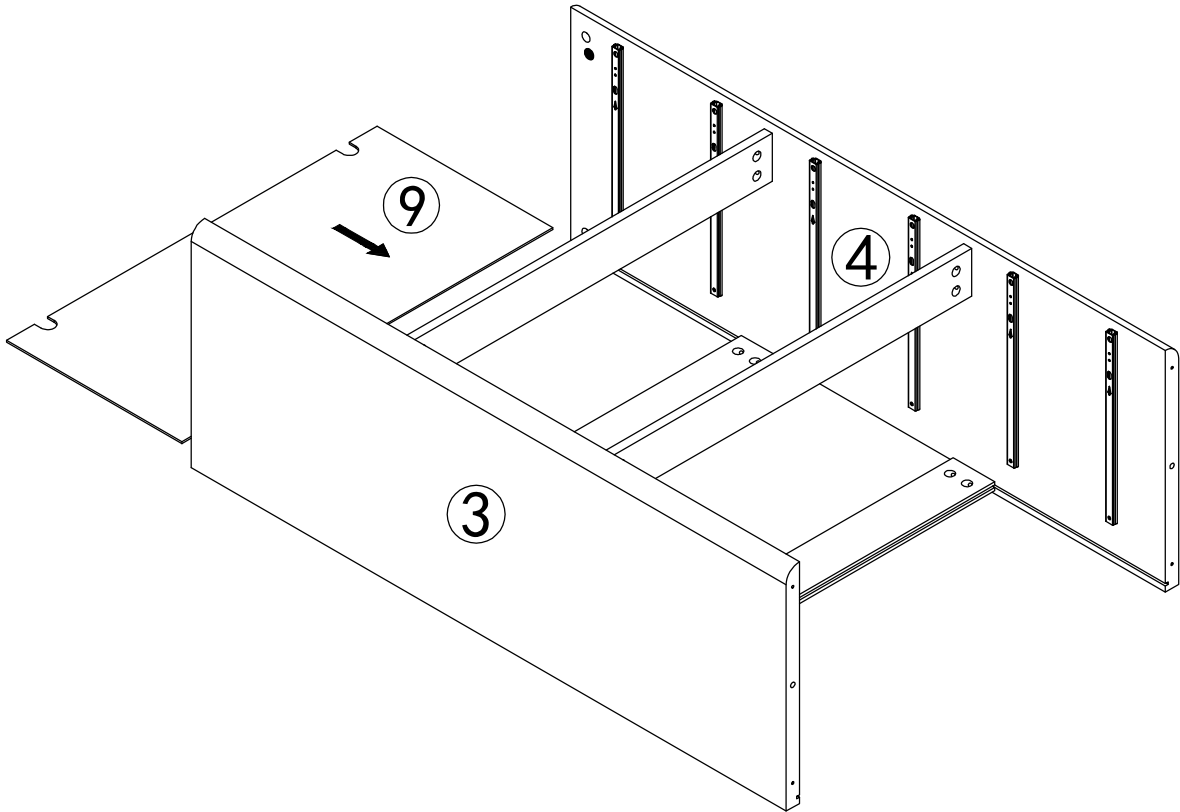


STEP 6

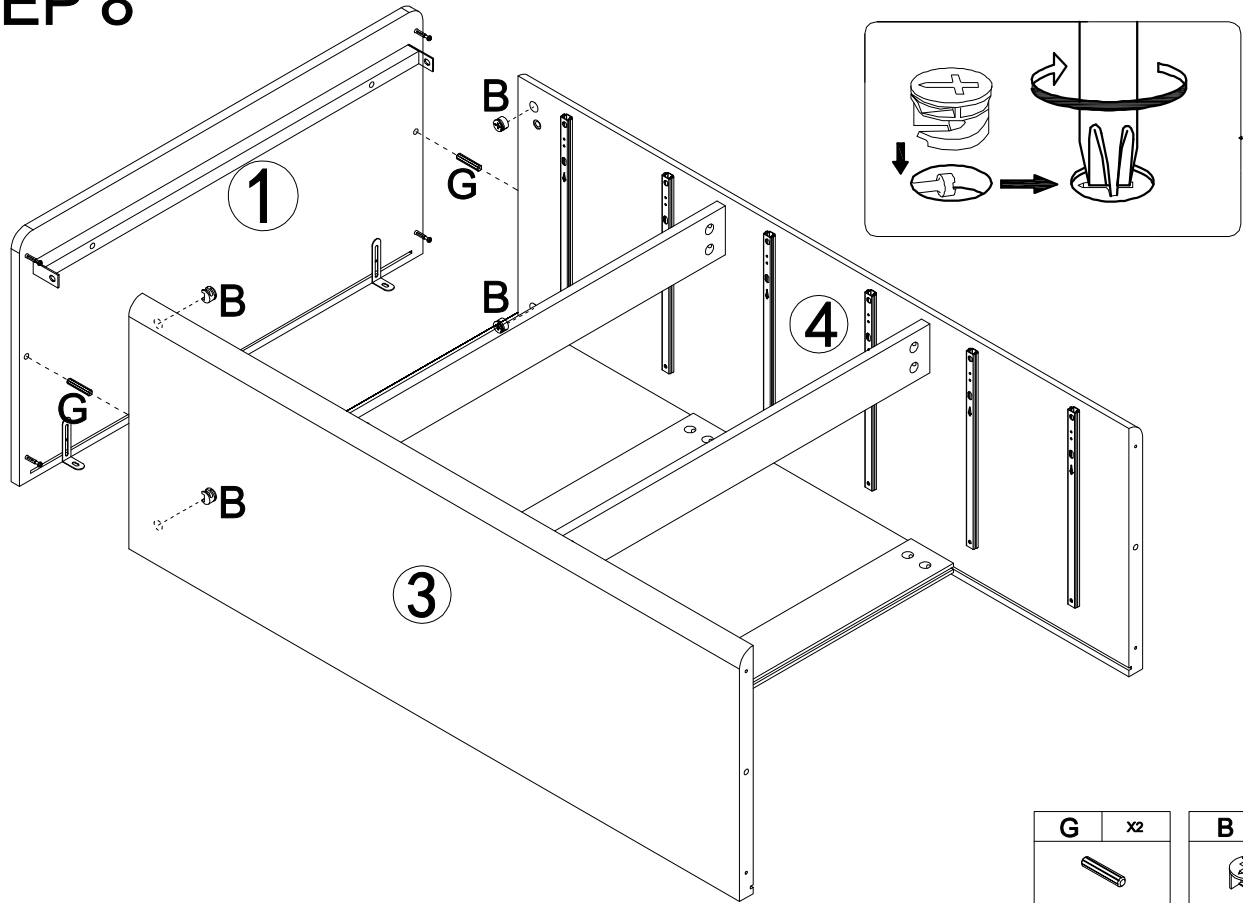




B	X8

STEP 7



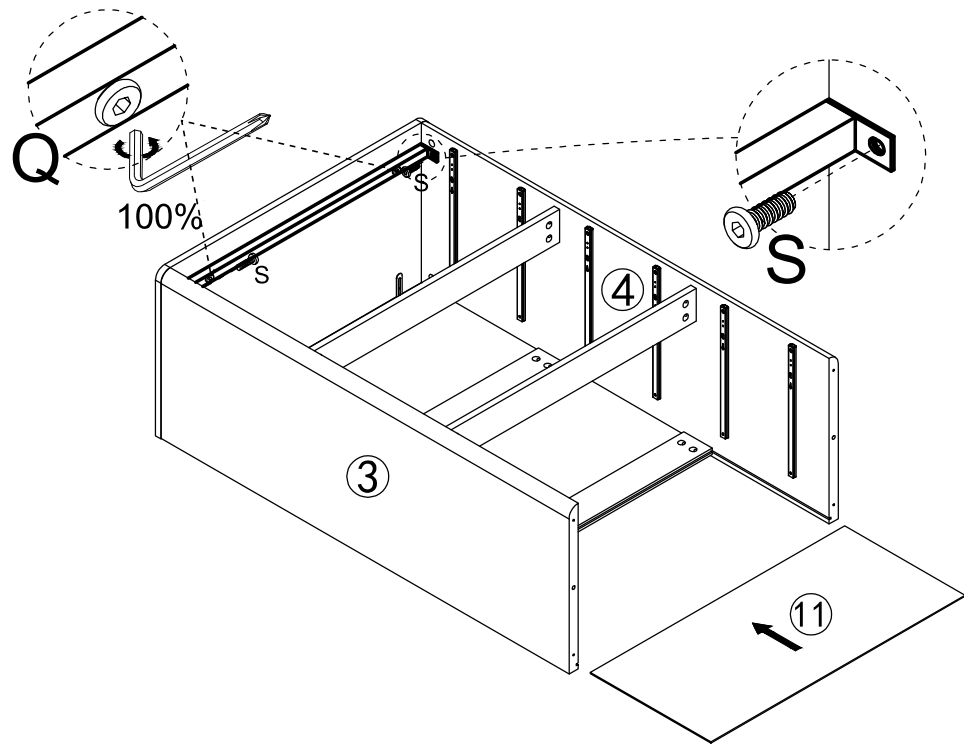
STEP 8




G	x2	B	x4
			

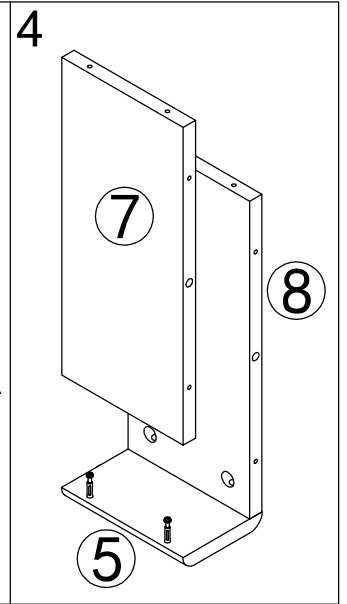
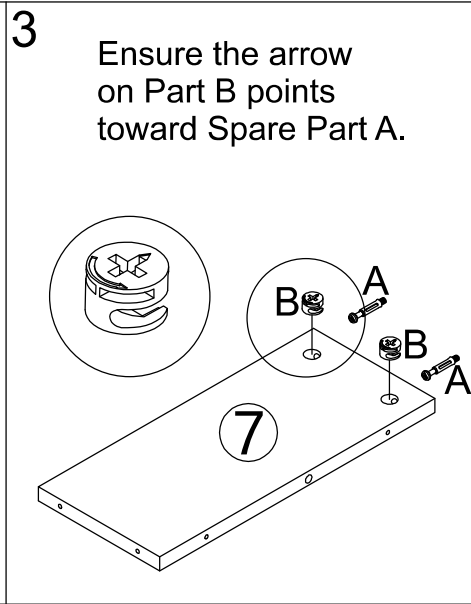
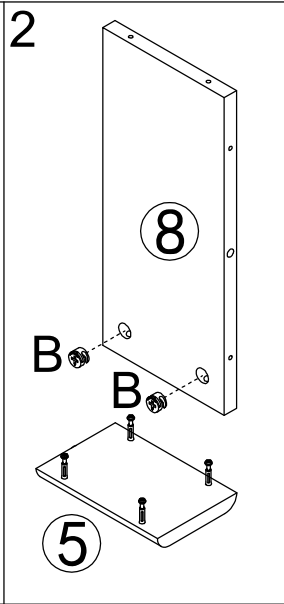
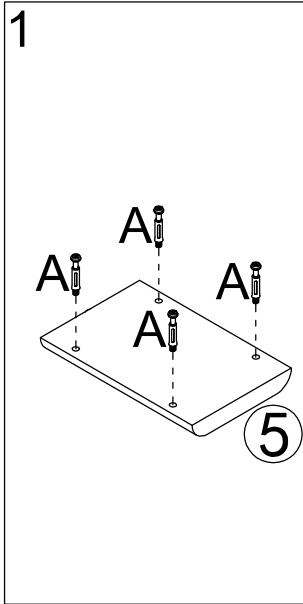
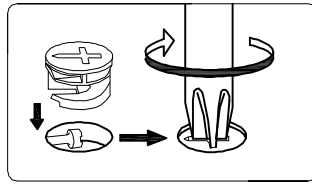
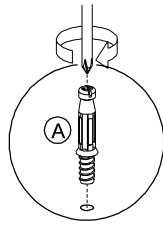
STEP 9

! Tighten Screw Q to 100% after Screw S assembled.





S	x2
	
M6x12mm	

STEP 10

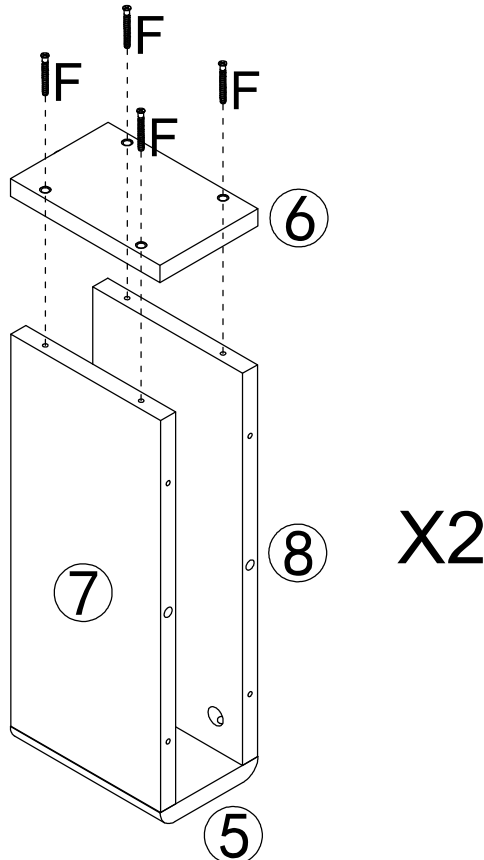



X2

A	x8
	
M6x35mm	

B	x8
	

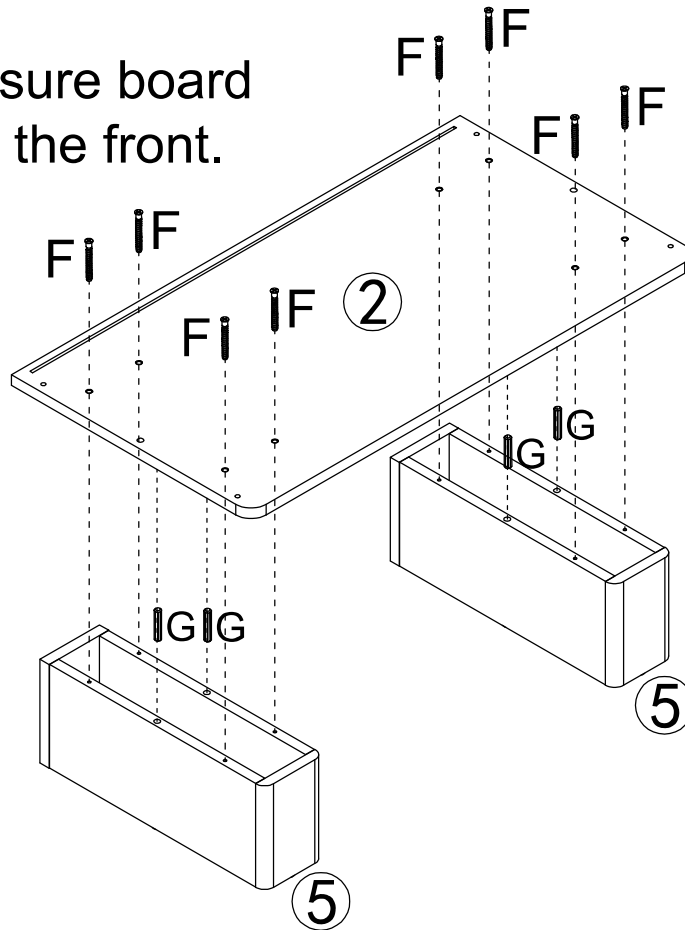
STEP 11





F	x8
	
M5x40mm	

STEP 12

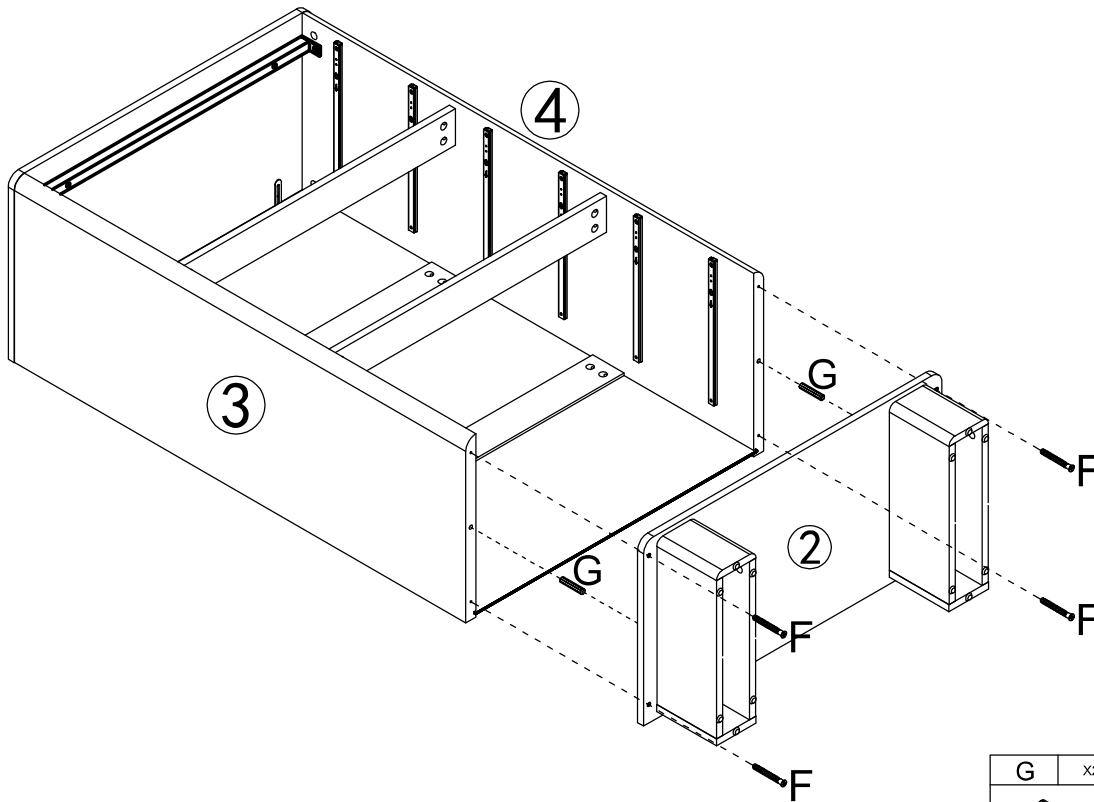
Please make sure board #5 towards to the front.





G	x4
	

F	x8
	
M5x40mm	

STEP 13

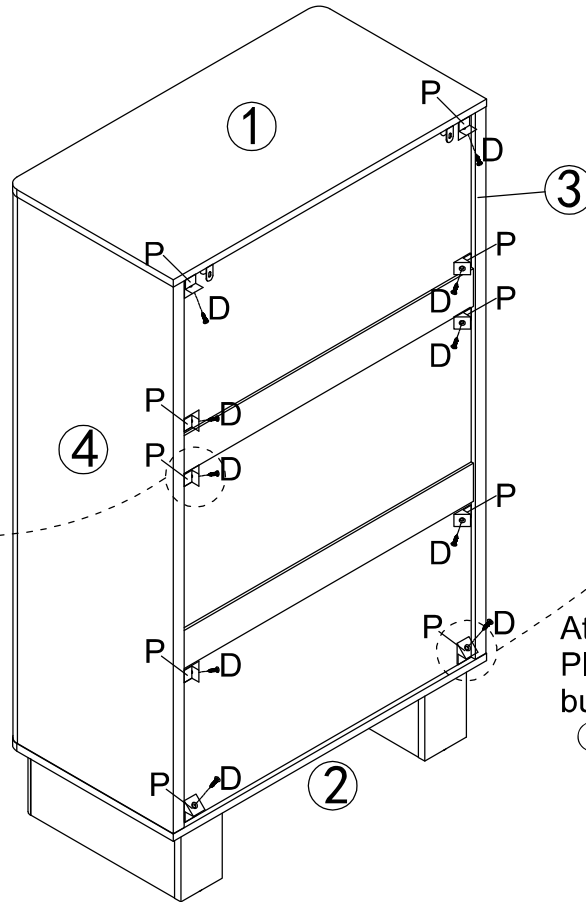
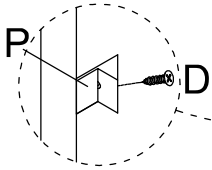


G	x2
	

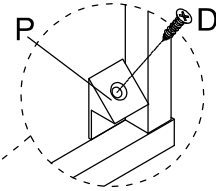
F	x4
	
M5x40mm	

STEP 14

Attention:
Please secure the plastic
buckles to side boards ③ and ④.



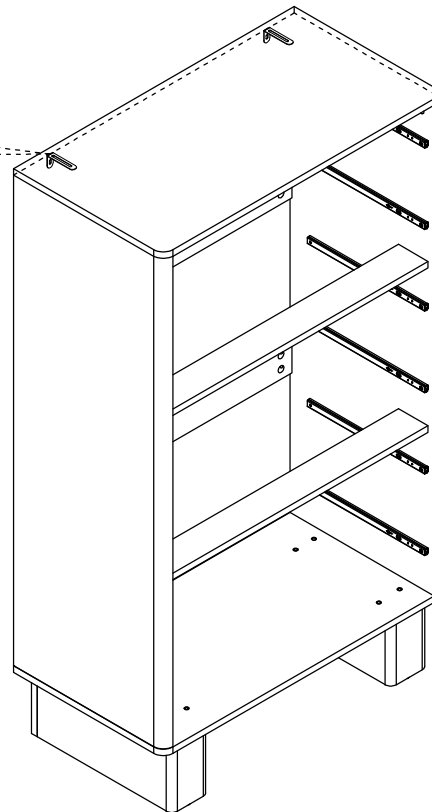
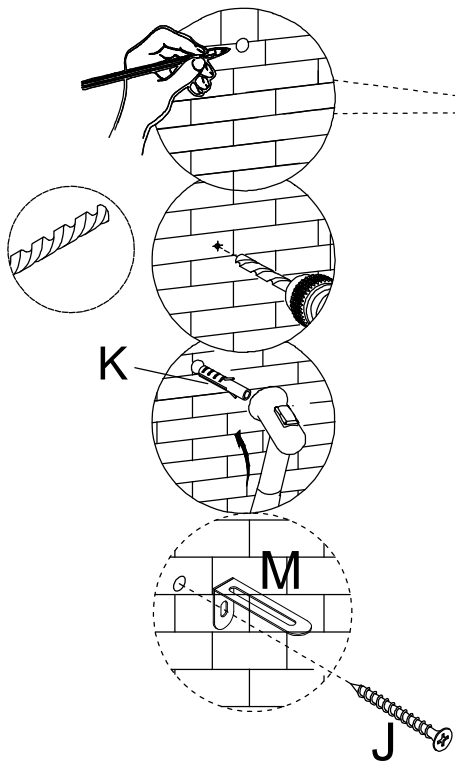
Attention:
Please secure the plastic
buckles to the top board
① and the bottom board ②.



P	x12

D	x12
Black color	
M3x16mm	

STEP 15

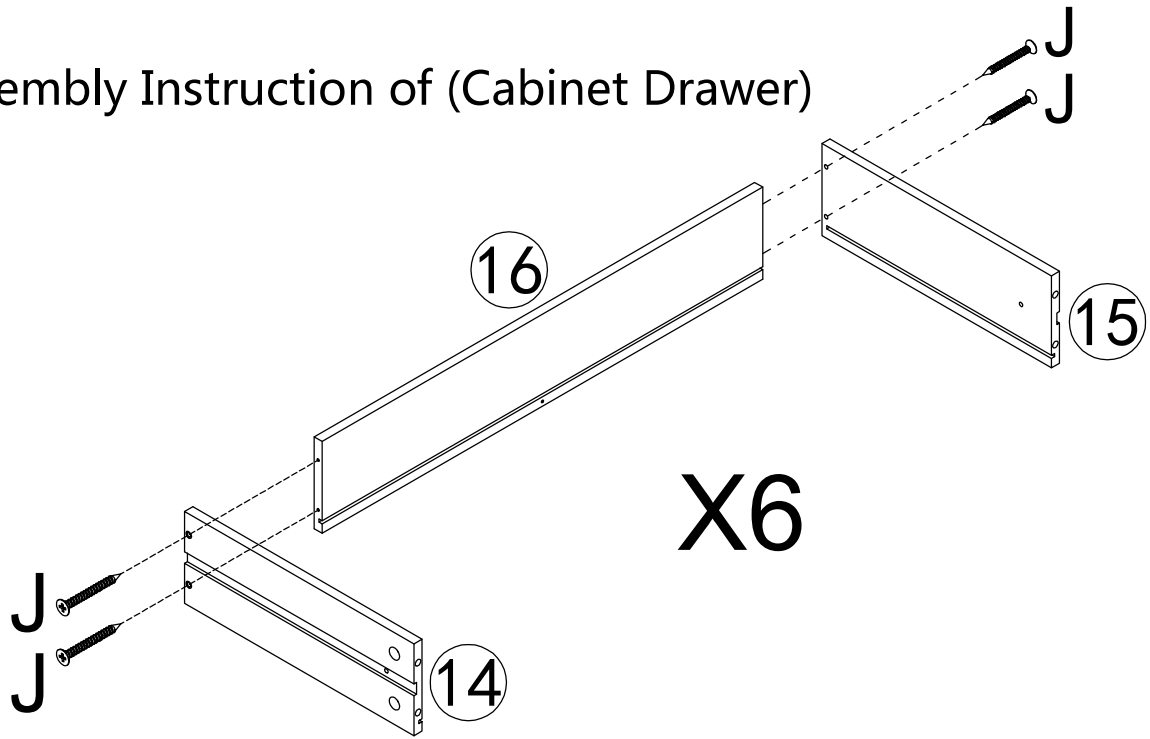



K	x2

J	x2
M4x35mm	

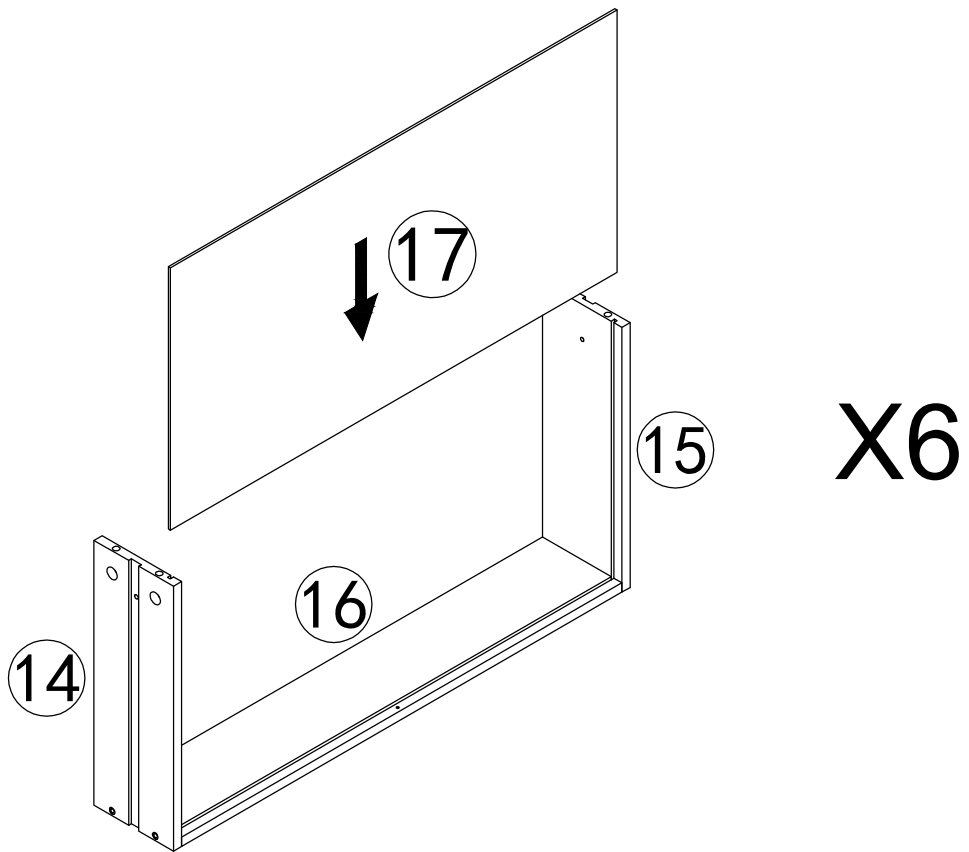
STEP 16

Assembly Instruction of (Cabinet Drawer)

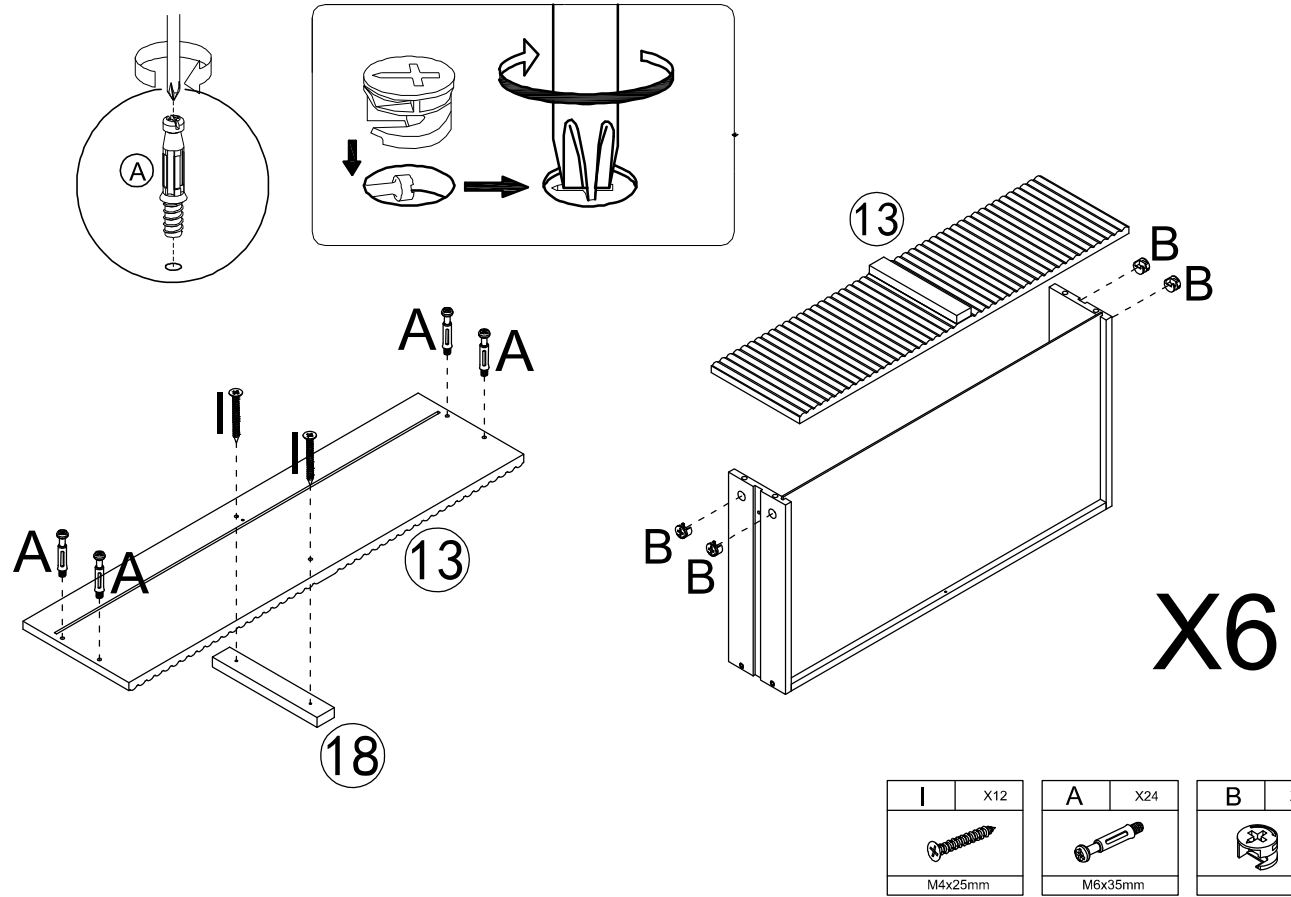





J	X24
	
M4x35mm	

STEP 17

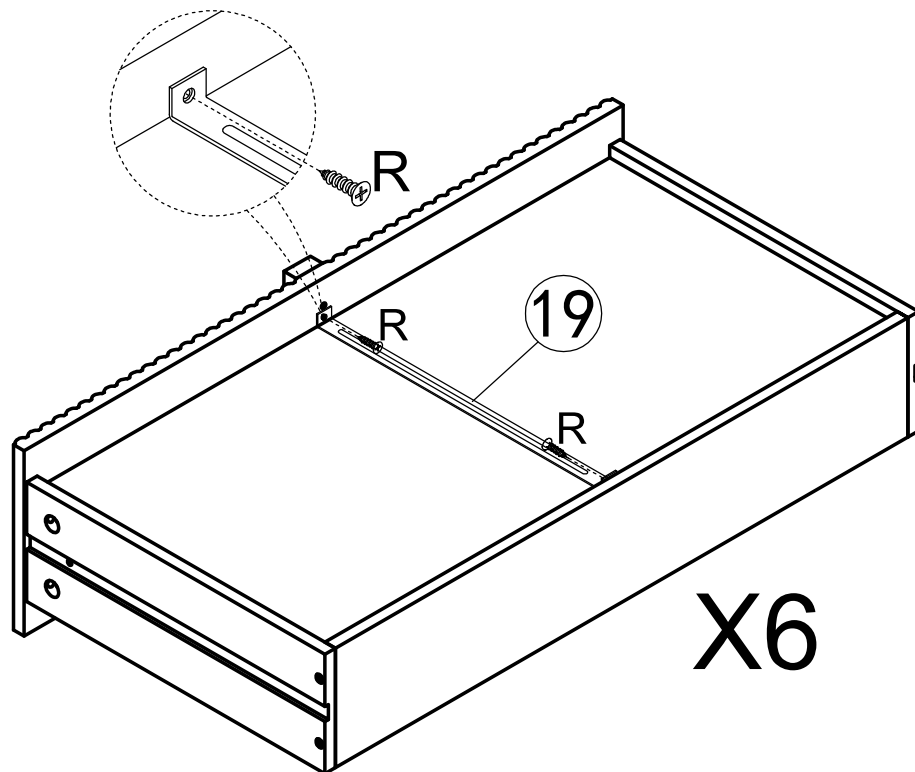



STEP 18



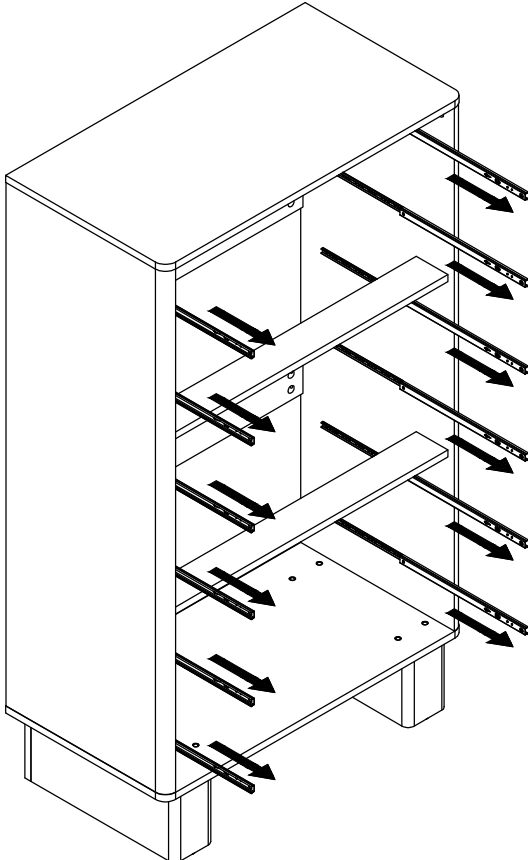
I	X12	A	X24	B	X24
					
M4x25mm		M6x35mm			

STEP 19

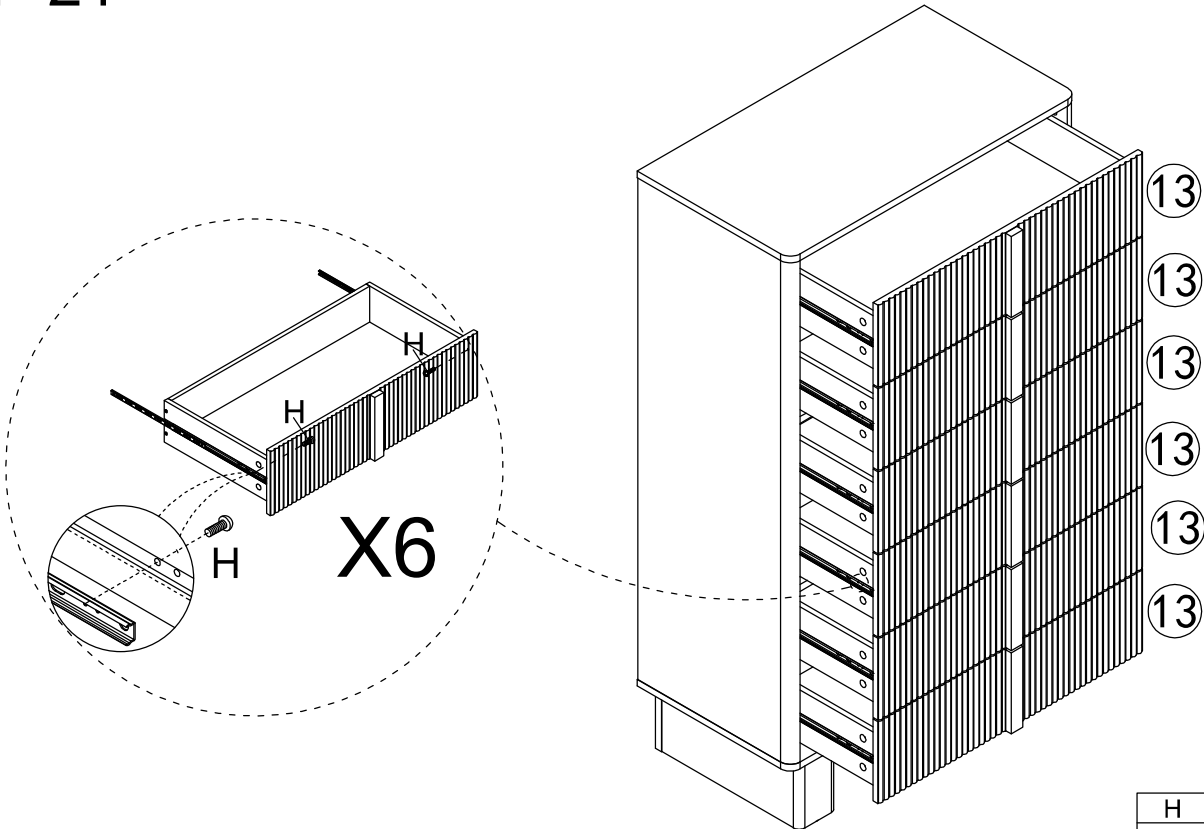



R	X12
	
M3.5x12mm	

STEP 20

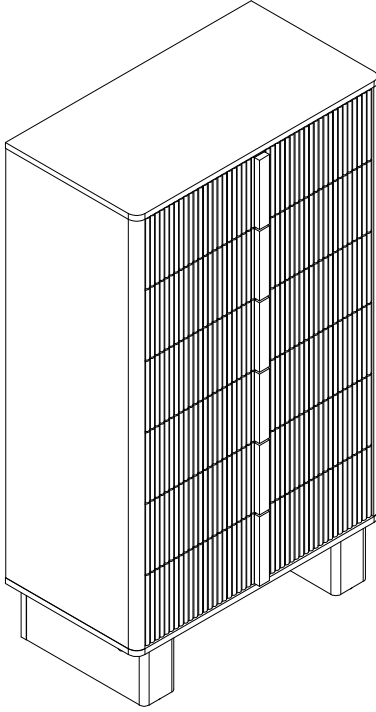


STEP 21



H	X12
	
M4x10mm	

Finished!



Congratulations, you have made it through the assembly process! We're almost there! ☆

Please perform following checks to ensure assembly is properly done.

- If drawer is misaligned, please check and ensure the screw position is correct as per step 3 & 4.

Move your product carefully, with 2 people lifting it to the preferred location. Clean the product with a dry cloth. You are all set!

Enjoy your fresh and updated living space thanks to the addition of your new product!