

NOTICE

- * Please make sure that you have all parts indicated and they are in good condition before you begin assembly of this item. Refer to part list and hardware list below for guidance.
- * This item should be assembled on a soft surface to prevent scratching the finish during assembly.
- * This item may require periodic tightening.
- *

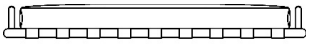

PREPARATION

- * Before beginning assembly of product, make sure all parts are present. Compare parts with part contents list and hardware contents list.
- * If any part is missing or damaged, do not attempt to assemble the product.
- * Estimated Assembly Time: 5 minutes.

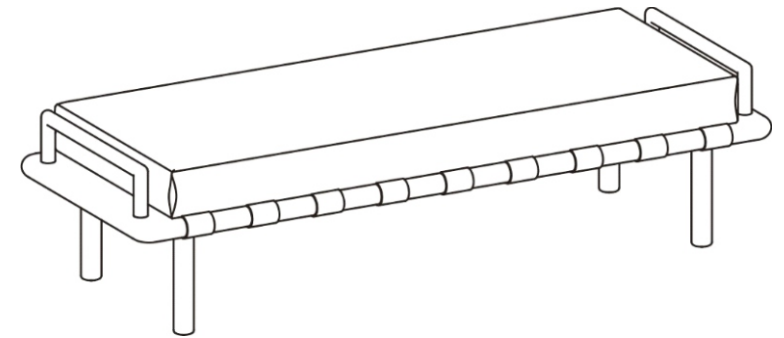
CARE AND MAINTENANCE

Wipe clean using a soft dry cloth. Only a professional cleaner should undertake a complete overall cleaning. The use of steam may cause staining.

Part List and Hardware List

PIECE	DESCRIPTION	PICTURE	QUANTITY
A	Seat		1X
B	Legs		4X

DIMENSIONS 70" x 25^{3/4}" x 19"



⚠ WARNING ⚠

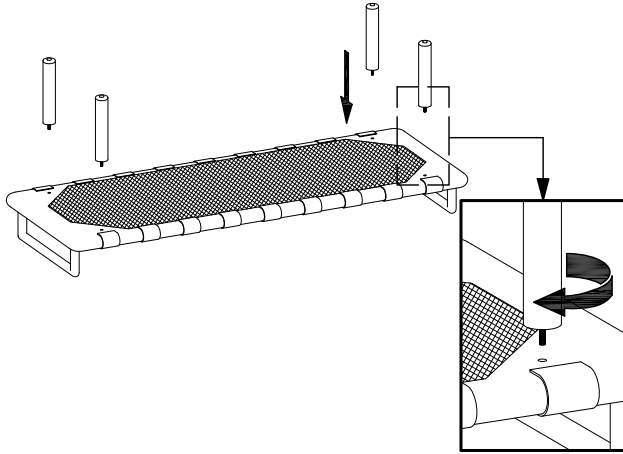
Weight Capacity - 400 LBS

Warning : Do not stand on Bench

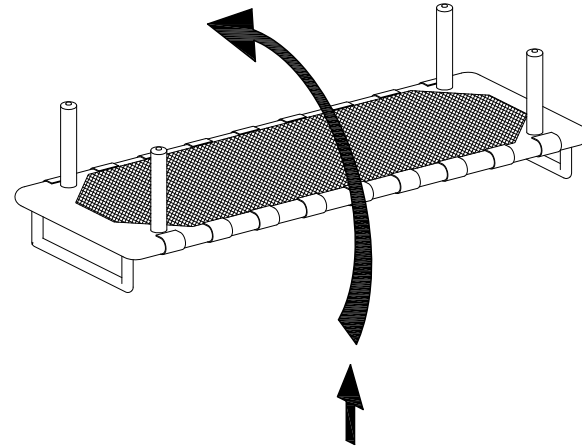
Warning : Do not over torque bolts.

PREPARATION

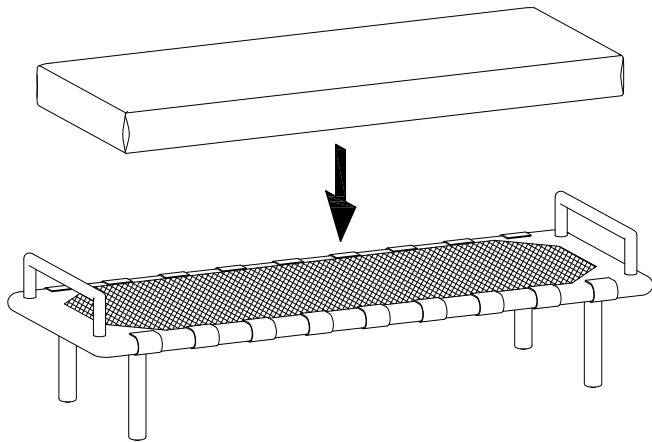
- * Before beginning assembly of product, make sure all parts are present. Compare parts with part contents list and hardware contents list.
- * If any part is missing or damaged, do not attempt to assemble the product.
- * Estimated Assembly Time: 5 minutes.



STEP 1: PLACE SEAT FRAME WITHOUT CUSHION UPSIDE DOWN AND SCREW LEGS (X4) IN FIRMLY.



STEP 2: FLIP THE BENCH OVER



STEP 3: PLACE THE CUSHION

