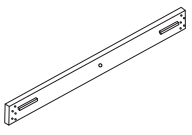
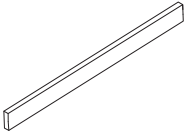
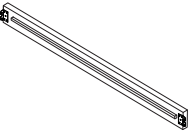
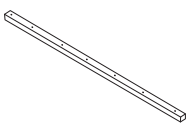


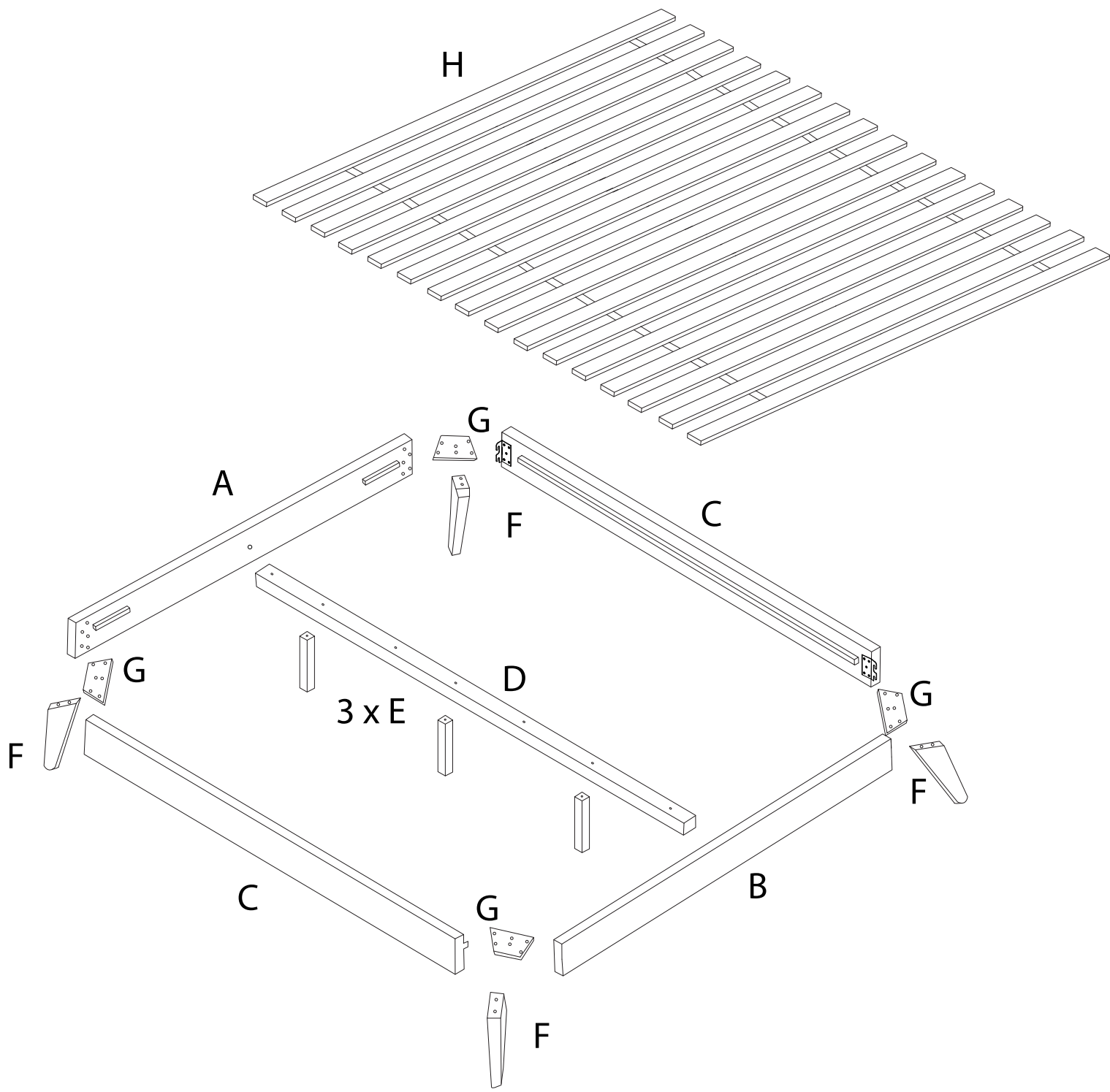


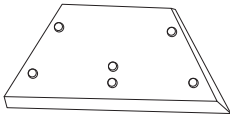
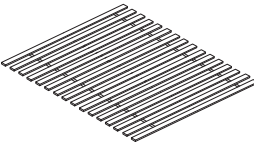
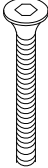
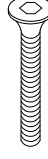
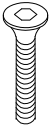
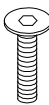

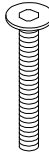
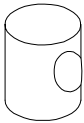
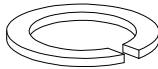
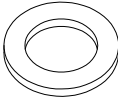

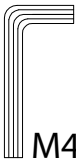

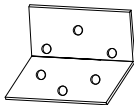
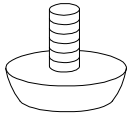


Diagram illustrating assembly steps and safety warnings:

- Step 1:** Shows an L-shaped metal bracket being inserted into a hole in the frame. A power drill is shown with a diagonal line through it, indicating that a power drill should not be used for this step. A warning triangle with an exclamation mark is present.
- Step 2:** Shows a rectangular block being placed on a surface. A power drill is shown with a diagonal line through it, indicating that a power drill should not be used for this step. A warning triangle with an exclamation mark is present.
- Time:** A clock icon indicates a duration of 45 minutes.
- Personnel:** An icon of a person indicates that 2 people are required for assembly.

A	B	C	D	E	F
					
x 1	x 1	x 2	x 1	x 3	x 4



<p style="text-align: center;">G</p>  <p style="text-align: center;">x 4</p>	<p style="text-align: center;">H</p>  <p style="text-align: center;">x 1</p>	<p style="text-align: center;">1</p>  <p style="text-align: center;">M6 x 100</p> <p style="text-align: center;">x 3</p>	<p style="text-align: center;">2</p>  <p style="text-align: center;">M6 x 50</p> <p style="text-align: center;">x 16</p>
<p style="text-align: center;">3</p>  <p style="text-align: center;">M6 x 40</p> <p style="text-align: center;">x 18</p>	<p style="text-align: center;">4</p>  <p style="text-align: center;">M6 x 20</p> <p style="text-align: center;">x 8</p>	<p style="text-align: center;">5</p>  <p style="text-align: center;">M6 x 15</p> <p style="text-align: center;">x 4</p>	<p style="text-align: center;">6</p>  <p style="text-align: center;">M8 x 50</p> <p style="text-align: center;">x 8</p>
<p style="text-align: center;">7</p>  <p style="text-align: center;">x 3</p>	<p style="text-align: center;">8</p>  <p style="text-align: center;">x 24</p>	<p style="text-align: center;">9</p>  <p style="text-align: center;">x 24</p>	<p style="text-align: center;">10</p>  <p style="text-align: center;">M4 x 32</p> <p style="text-align: center;">x 12</p>
<p style="text-align: center;">11</p>  <p style="text-align: center;">M4</p> <p style="text-align: center;">x 1</p>	<p style="text-align: center;">12</p>  <p style="text-align: center;">M5</p> <p style="text-align: center;">x 1</p>	<p style="text-align: center;">13</p>  <p style="text-align: center;">x 2</p>	<p style="text-align: center;">14</p>  <p style="text-align: center;">x 3</p>

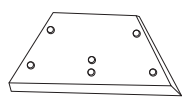
1 x 4

F



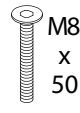
x 1

G



x 1

6

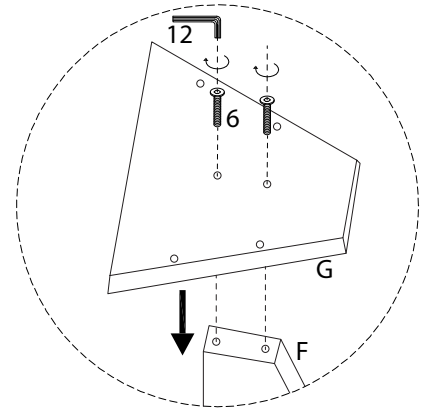
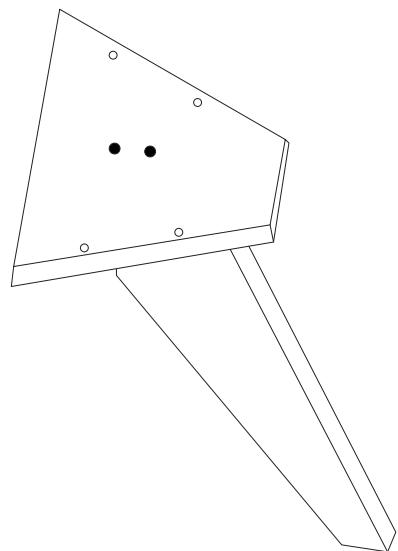


x 2

12

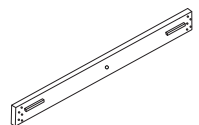


x 1



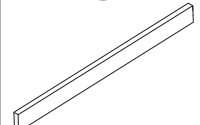
2

A



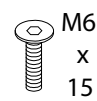
x 1

B



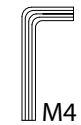
x 1

5



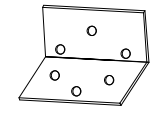
x 2

11

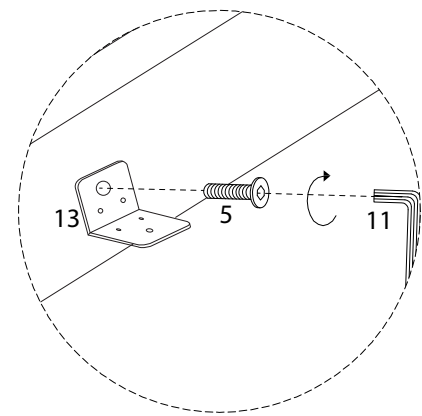
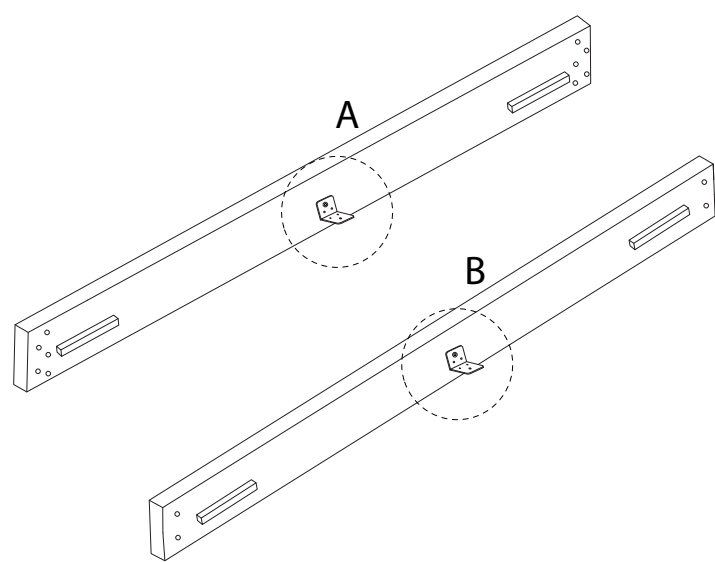


x 1

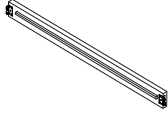
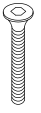

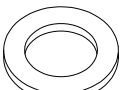
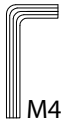
13

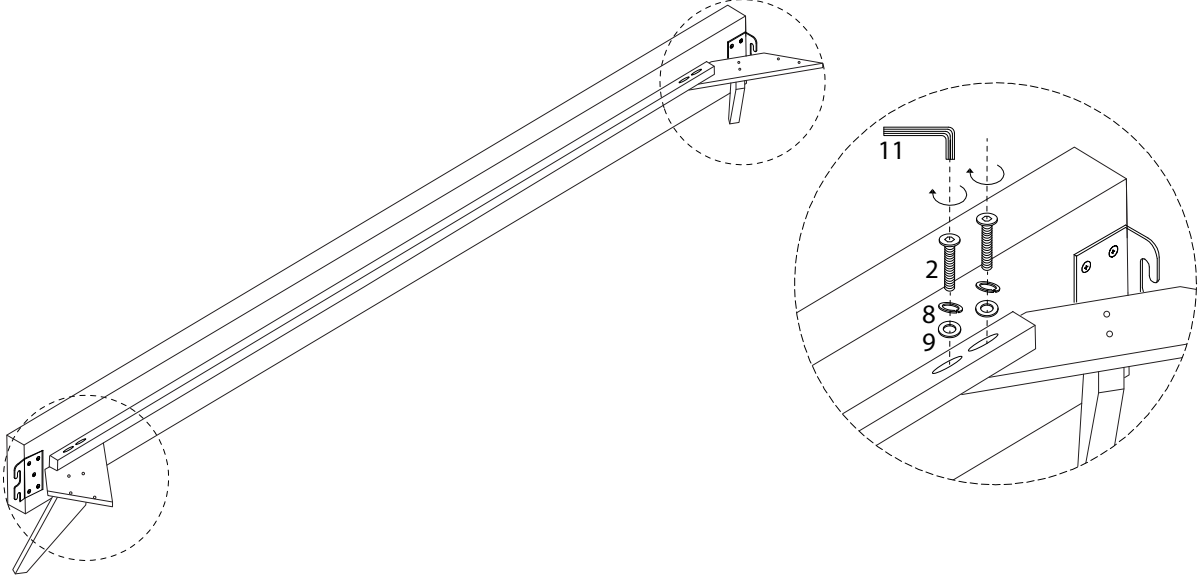


x 2


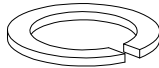
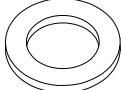
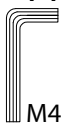


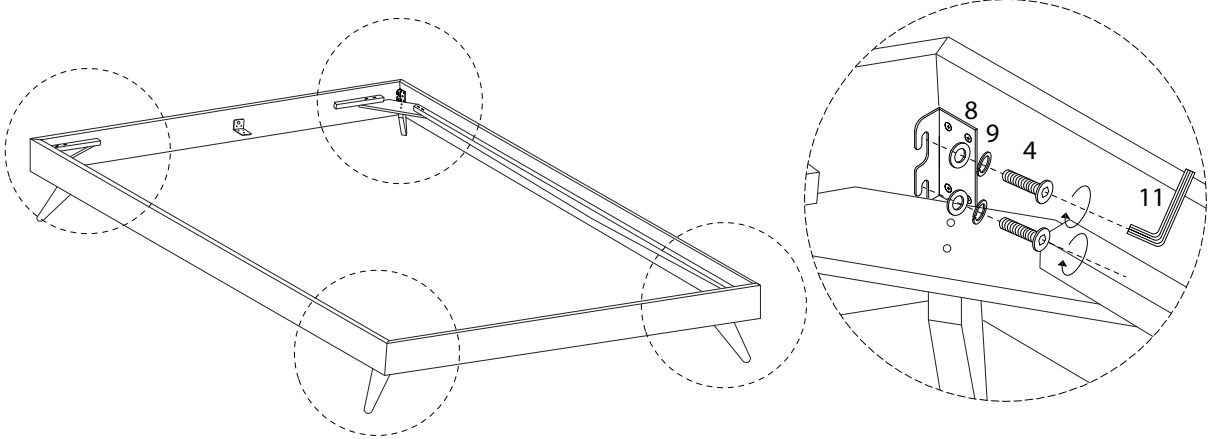
3 x 2

<p>C</p>  <p>x 1</p>	<p>2</p> <p>M6 x 50</p>  <p>x 4</p>	<p>8</p>  <p>x 4</p>	<p>9</p>  <p>x 4</p>	<p>11</p> <p>M4</p>  <p>x 1</p>
---	--	---	---	--

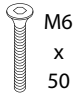
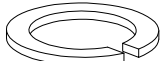
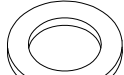



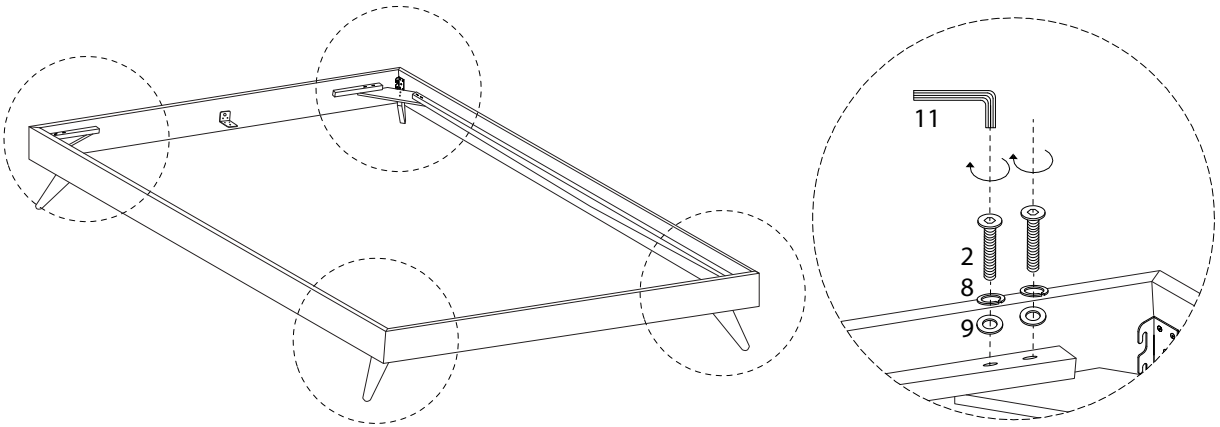
4

<p>4</p> <p>M6 x 20</p>  <p>x 8</p>	<p>8</p>  <p>x 8</p>	<p>9</p>  <p>x 8</p>	<p>11</p> <p>M4</p>  <p>x 1</p>
--	---	--	--

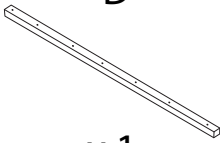

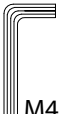


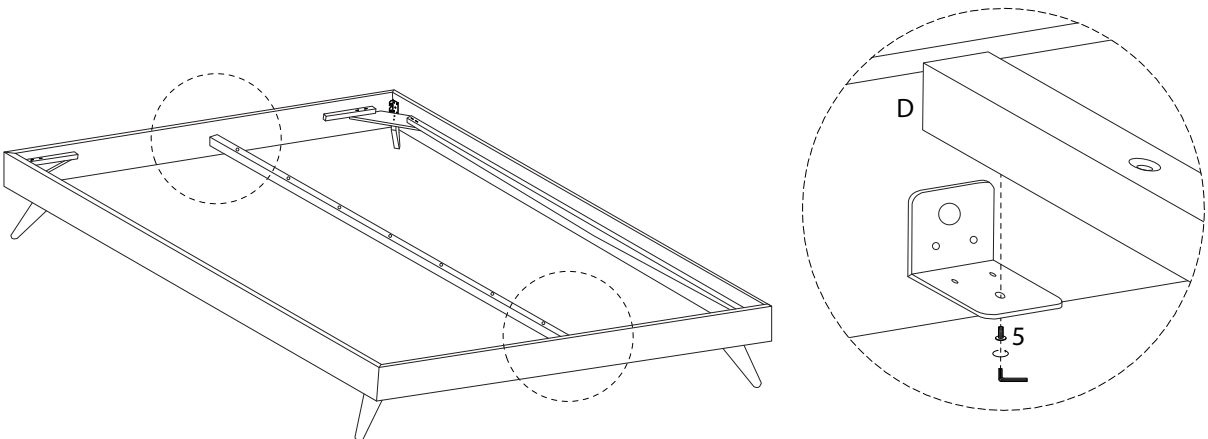
5

<p>2</p>  <p>M6 x 50</p> <p>x 8</p>	<p>8</p>  <p>x 8</p>	<p>9</p>  <p>x 8</p>	<p>11</p>  <p>M4</p> <p>x 1</p>
--	---	--	--



6

<p>D</p>  <p>x 1</p>	<p>5</p>  <p>M6 x 15</p> <p>x 2</p>	<p>11</p>  <p>M4</p> <p>x 1</p>
---	--	--



7 x 3

E

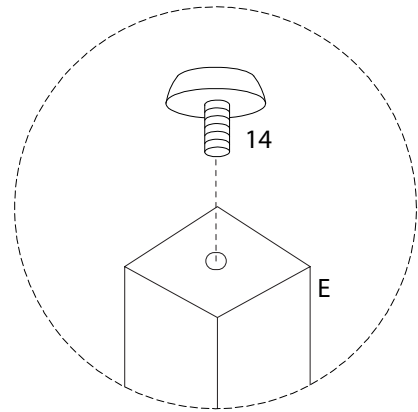
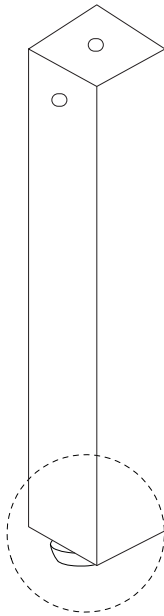


x 1

14

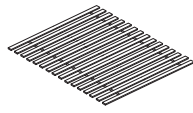


x 1



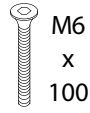
8

H



x 1

1

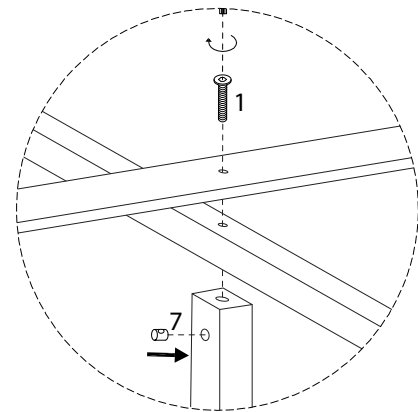
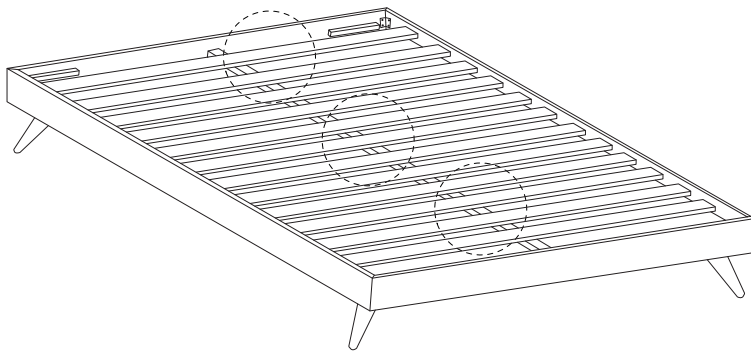


x 3

7

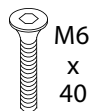


x 3



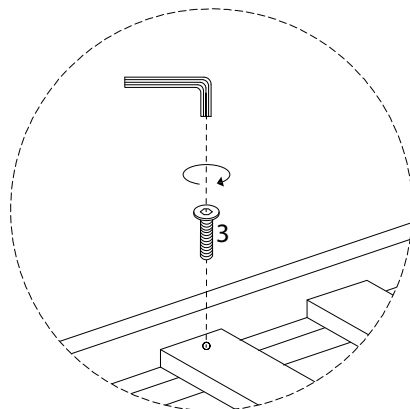
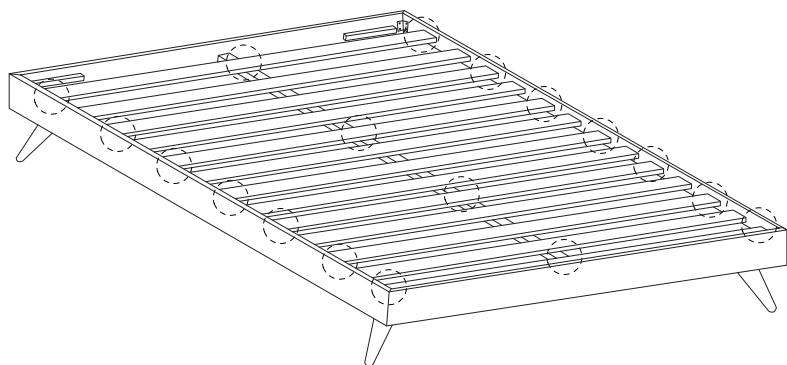
9

3



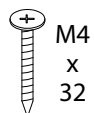
M6
x
40

x 18



10

10



M4
x
32

x 12

