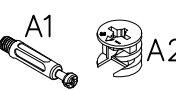
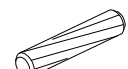
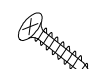




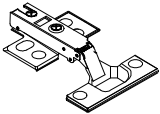
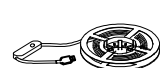
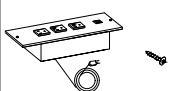
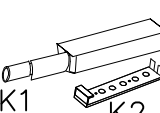
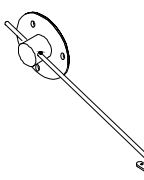
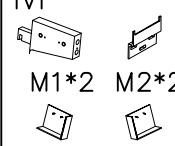


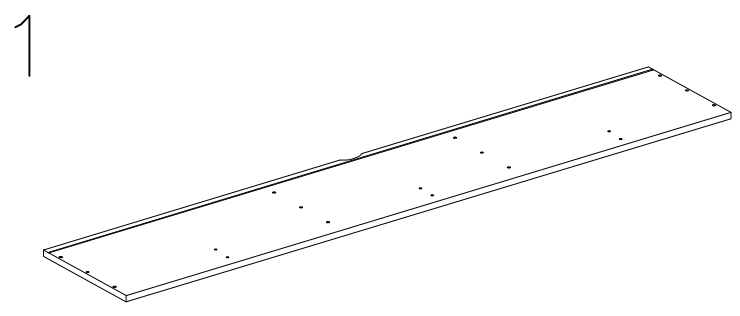
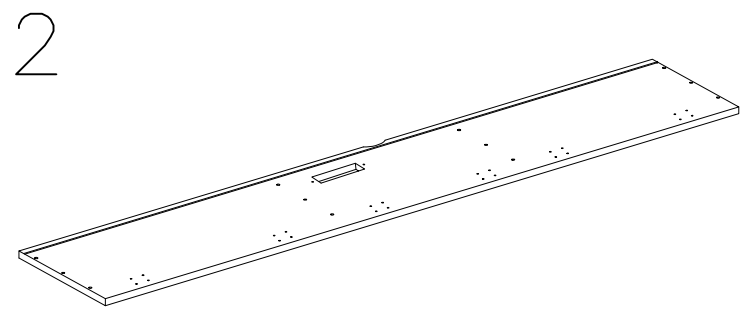


<p>A</p>  <p>A1 A2</p> <p>16pcs</p>	<p>B</p>  <p>$\phi 8 \times 30 \text{mm}$</p> <p>8pcs</p>	<p>C</p>  <p>$\phi 3.5 \times 14 \text{mm}$</p> <p>51pcs</p>	<p>D</p>  <p>$\phi 3.5 \times 12 \text{mm}$</p> <p>18pcs</p>	<p>E</p>  <p>$\phi 3.5 \times 40 \text{mm}$</p> <p>8pcs</p>	<p>F</p>  <p>$\phi 3.5 \times 30 \text{mm}$</p> <p>8pcs</p>	<p>G</p>  <p>$8 \times 40 \text{mm}$</p> <p>8pcs</p>	<p>H</p>  <p>6pcs</p>
<p>I</p>  <p>1pc</p>	<p>J</p>  <p>J1*1 J2*2</p> <p>1pc</p>	<p>K</p>  <p>K1 K2</p> <p>3pcs</p>	<p>L</p>  <p>3pcs</p>	<p>M</p>  <p>M1*2 M2*2 M3*1 M4*1</p> <p>2pcs</p>	<p>N</p>  <p>12pcs</p>	<p>O</p>  <p>16pcs</p>	



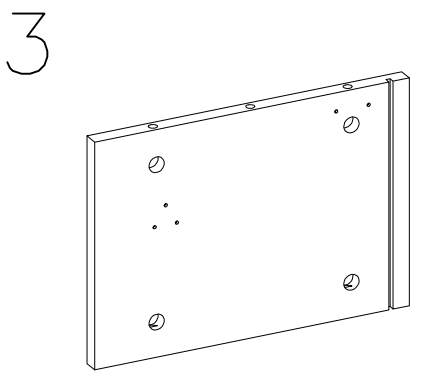
1700*300*15mm

1pc

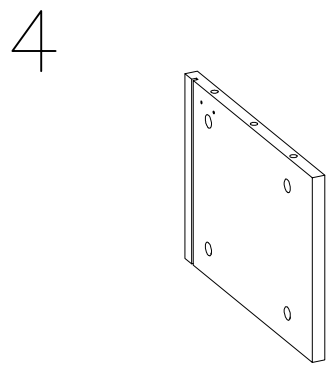


1700*279*15mm

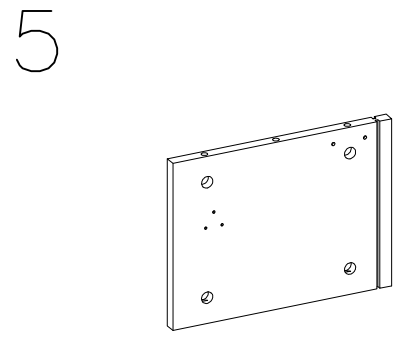
1pc



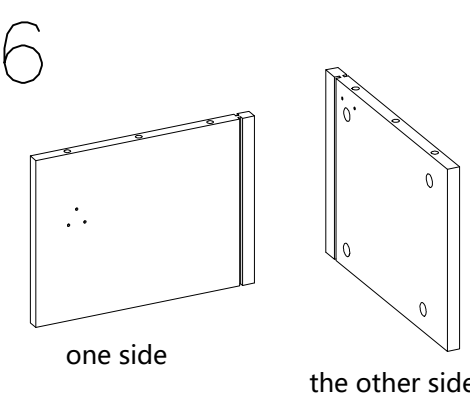
203*278*15mm 1pc



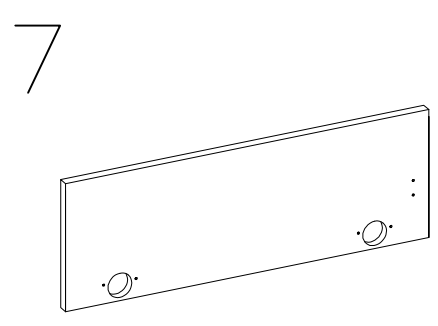
203*278*15mm 1pc



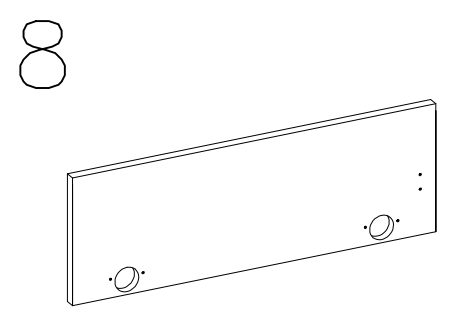
203*278*15mm 1pc



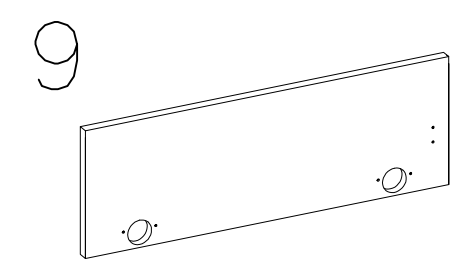
203*278*15mm 1pc



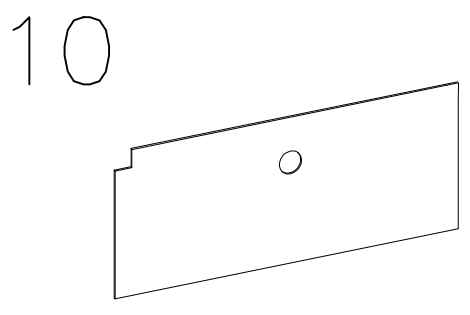
563*213*15mm 1pc



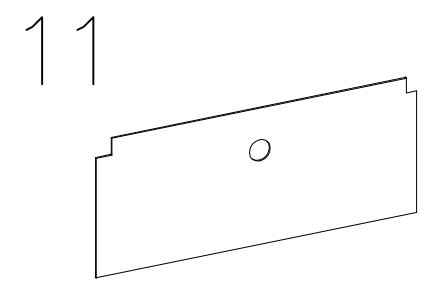
563*213*15mm 1pc



563*213*15mm 1pc



553*213*3mm 2pcS

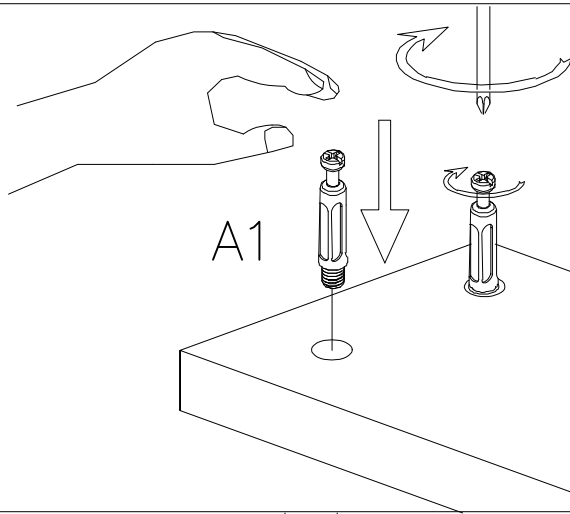


558*213*3mm 1pc

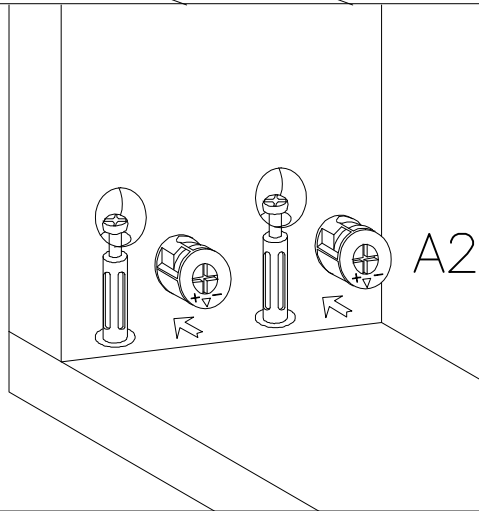
Hardware installation demonstration

NOTE: Please make sure
"A1" hardware tightened
and can't be pulled out!

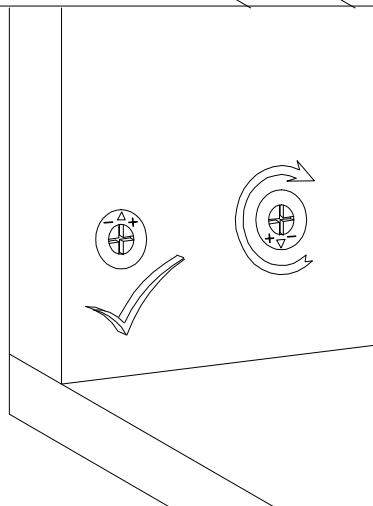
I



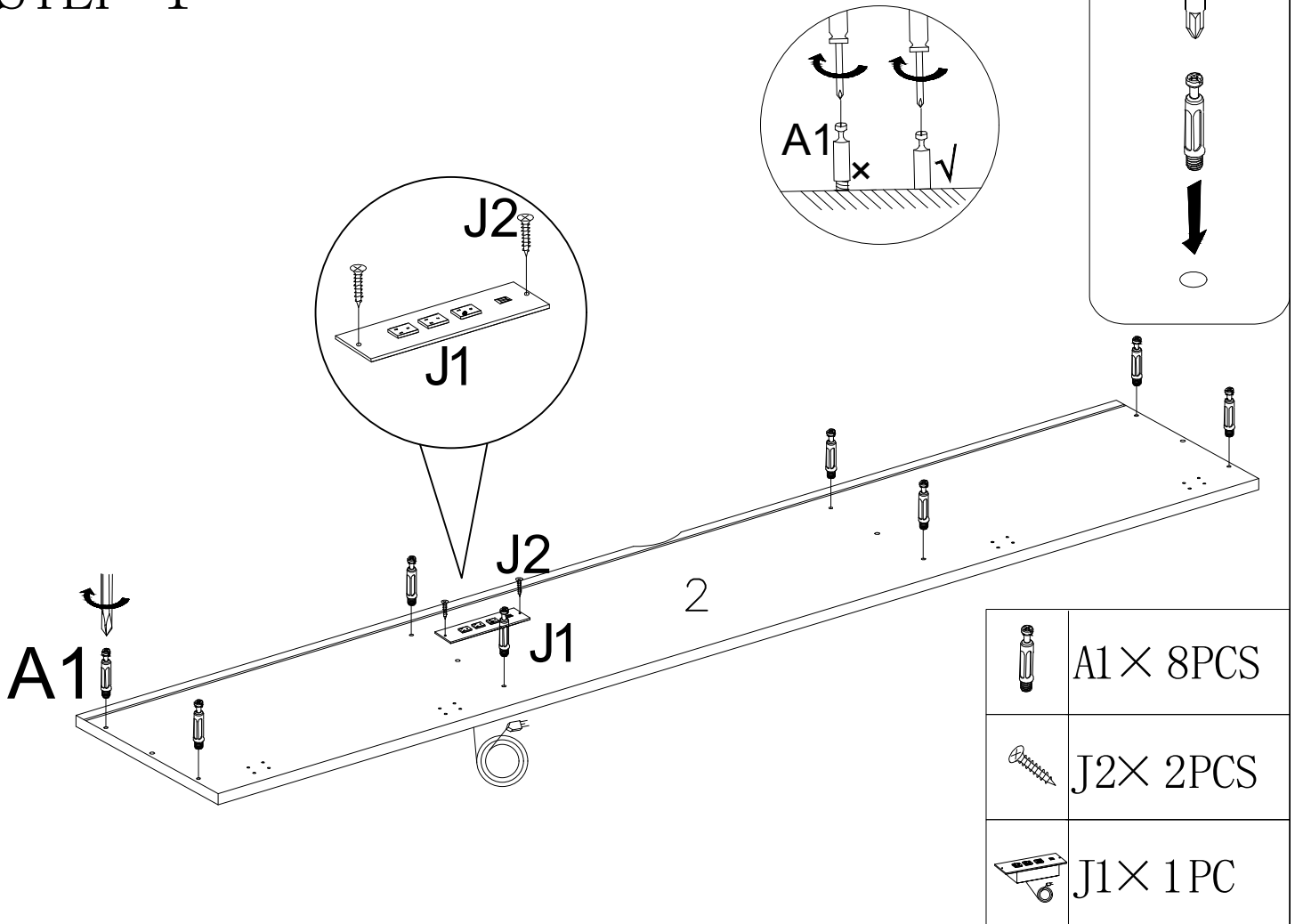
II



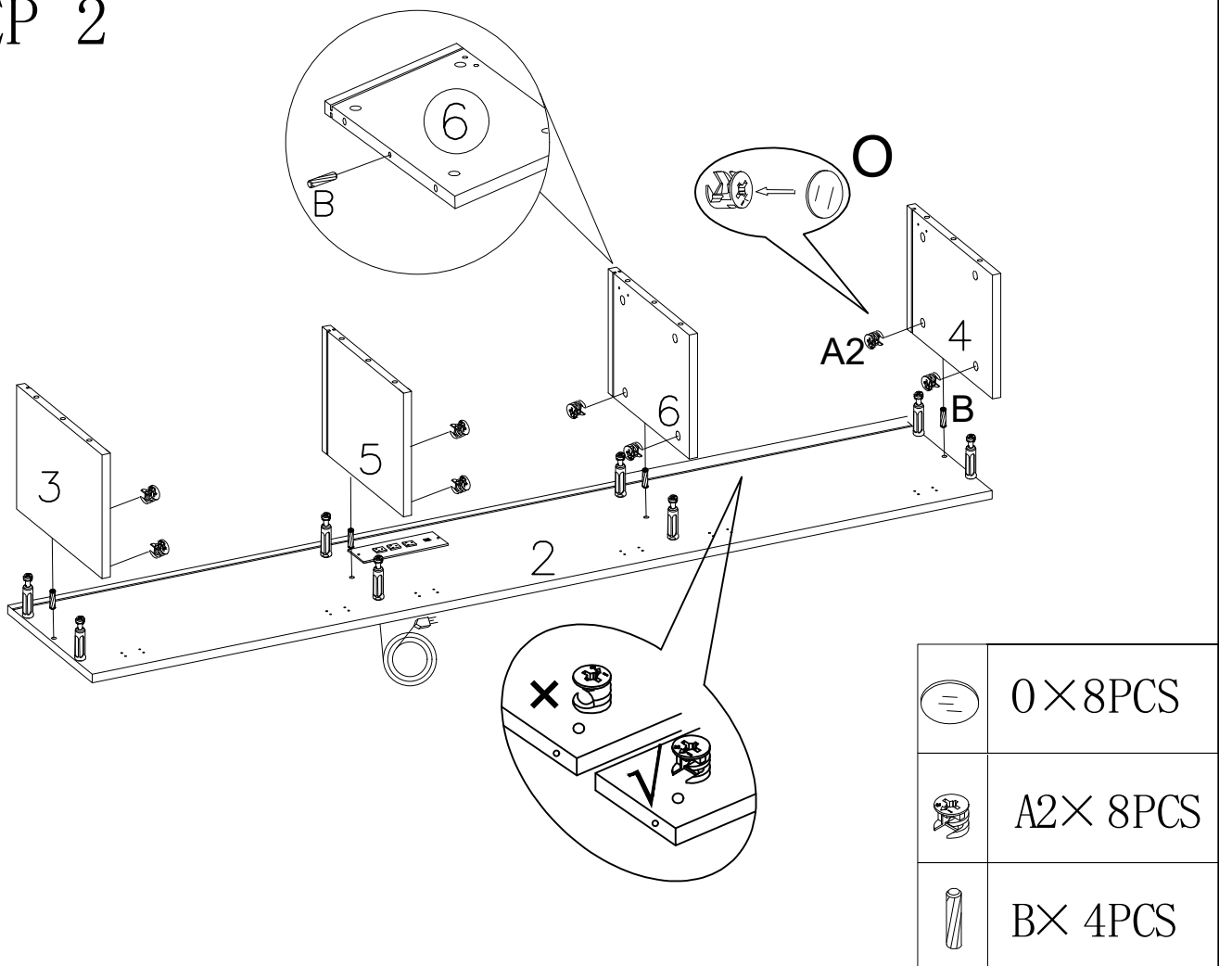
III



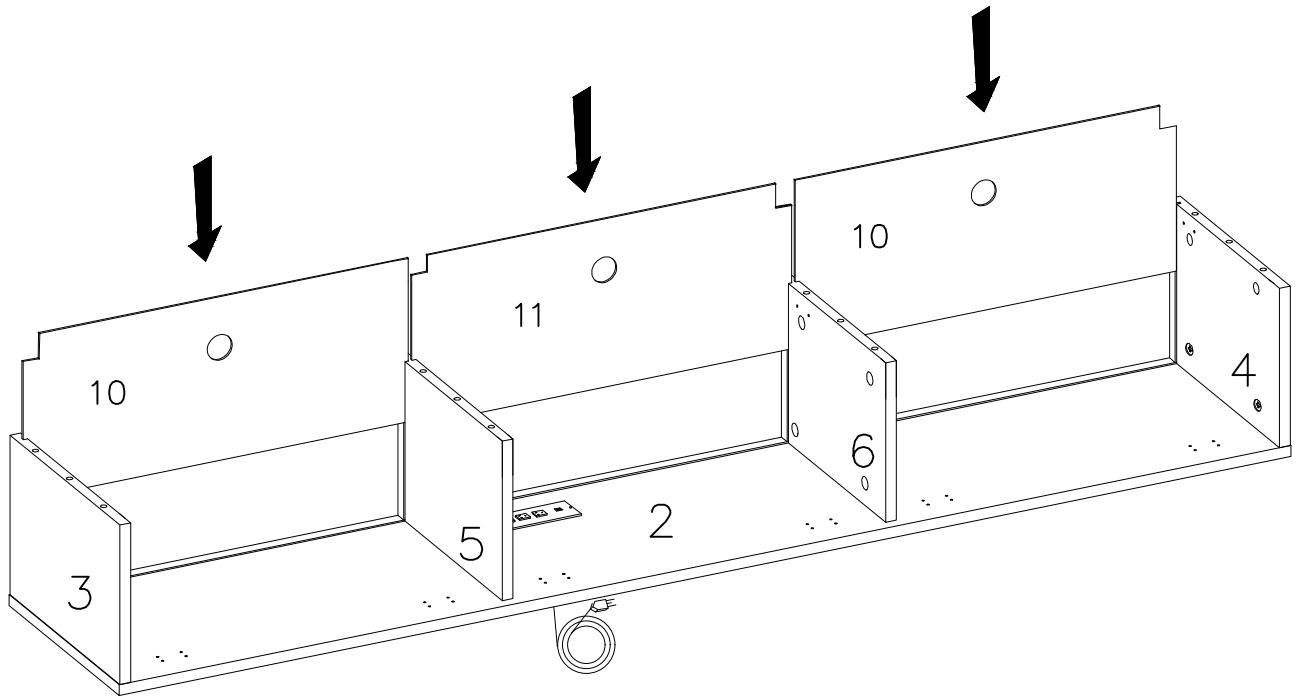
STEP 1



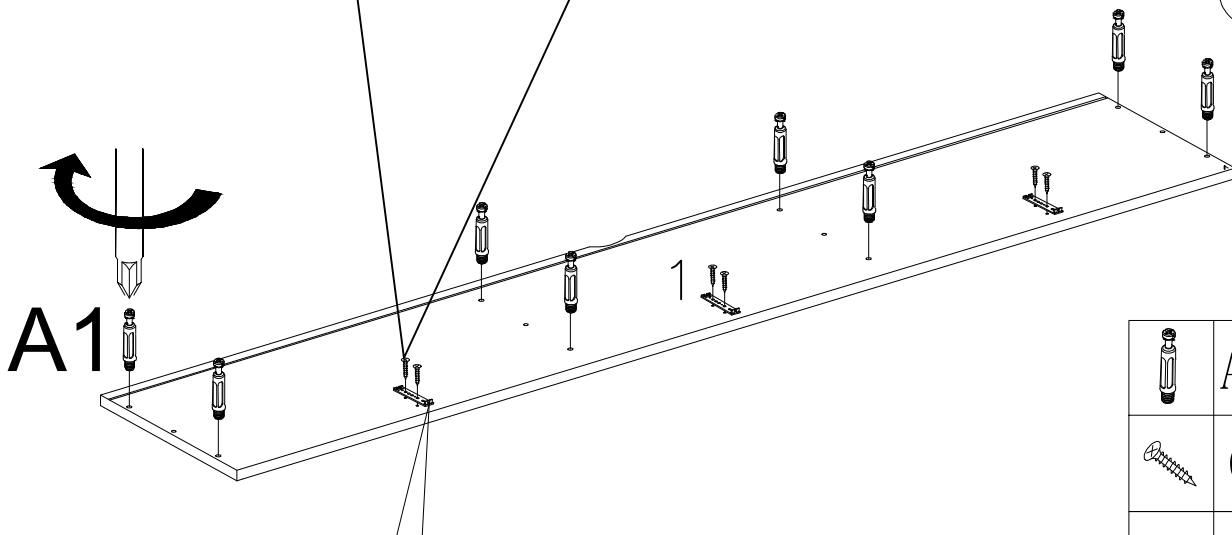
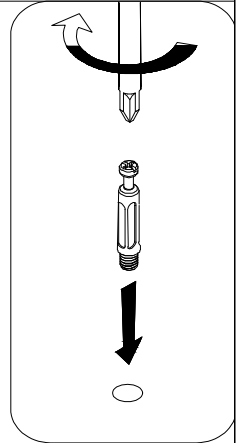
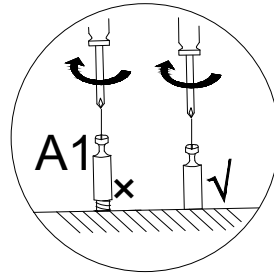
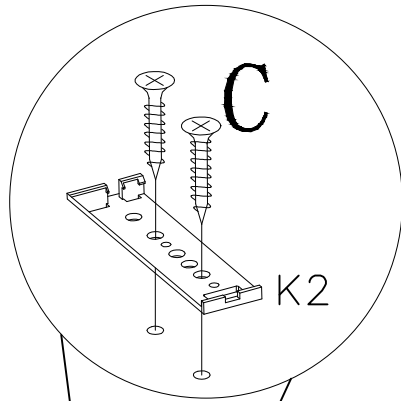
STEP 2



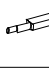
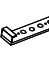


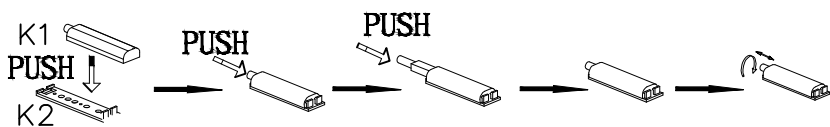
STEP 3



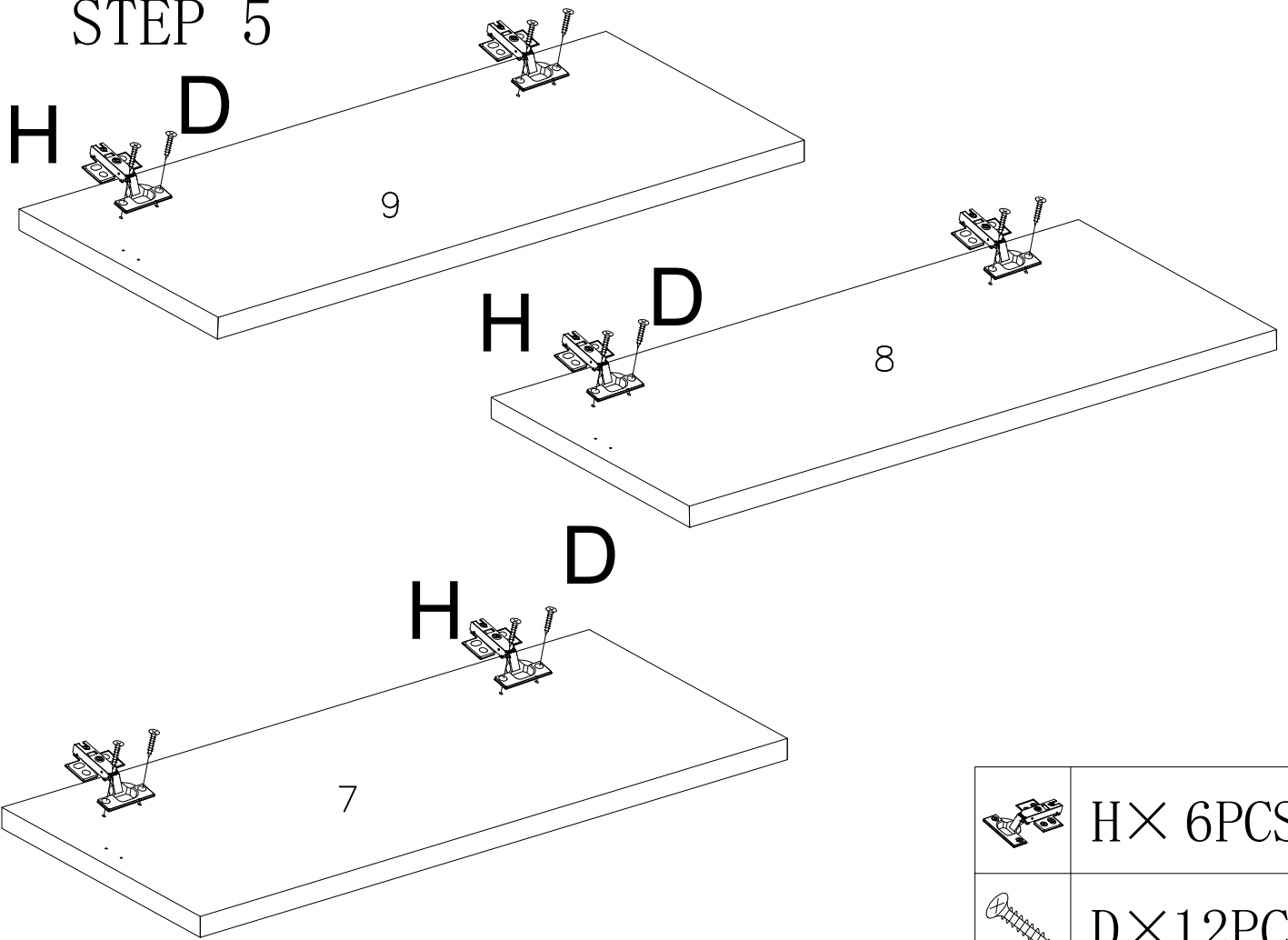
STEP 4





	A1 × 8PCS
	C × 6PCS
	K1 × 3PCS
	K2 × 3PCS

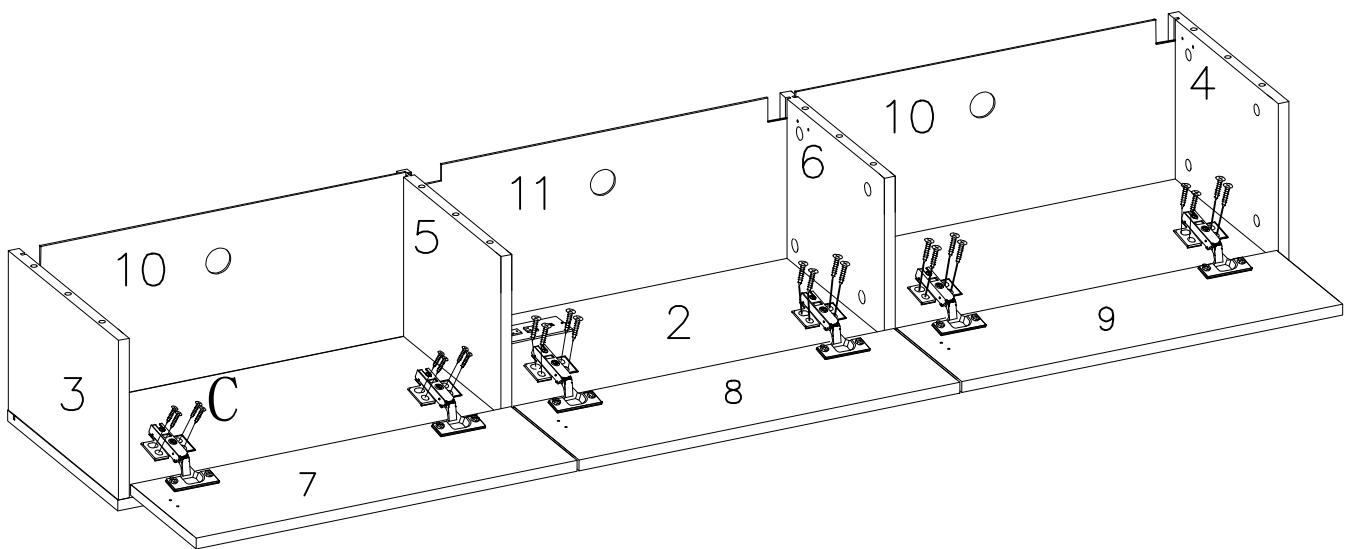



STEP 5



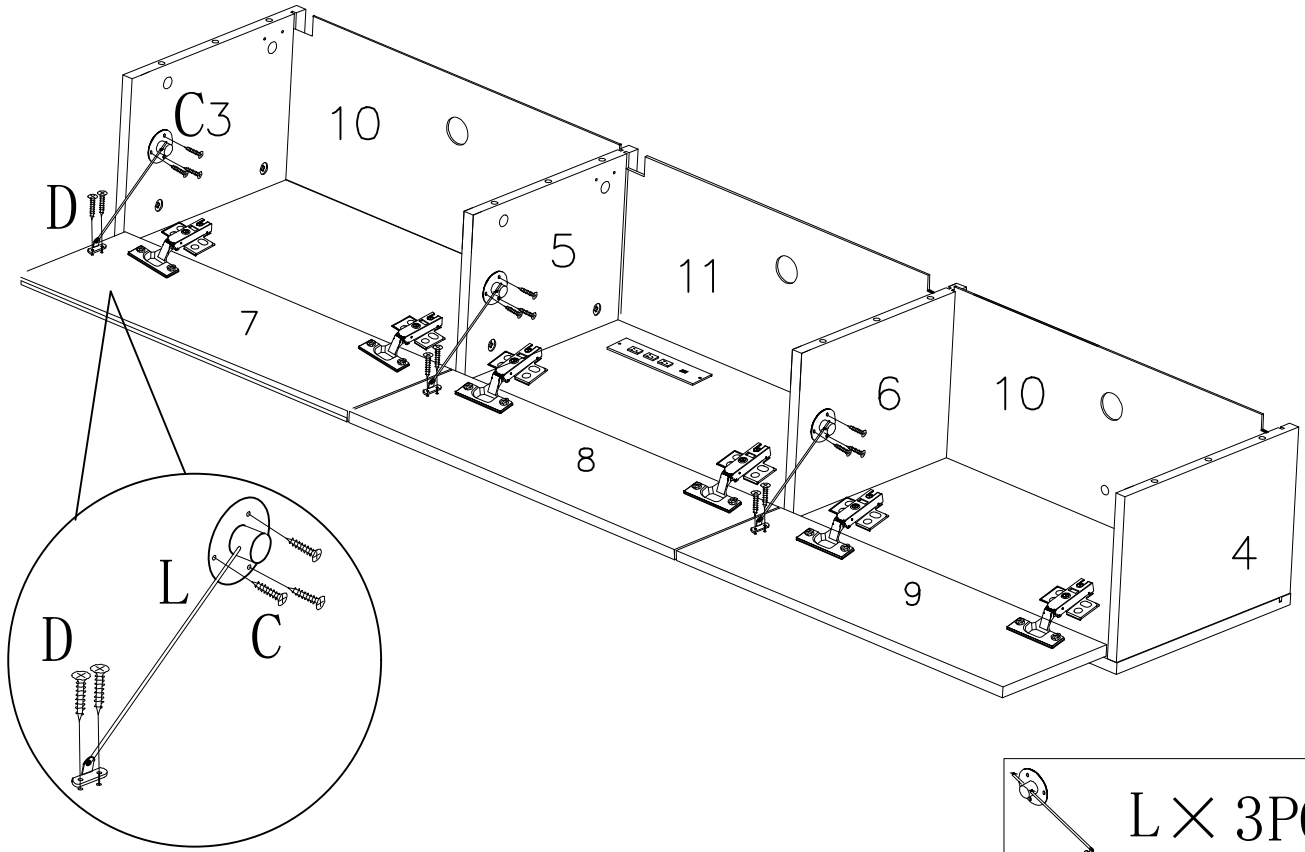
	H × 6PCS
	D × 12PCS


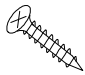
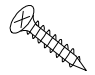
STEP 6



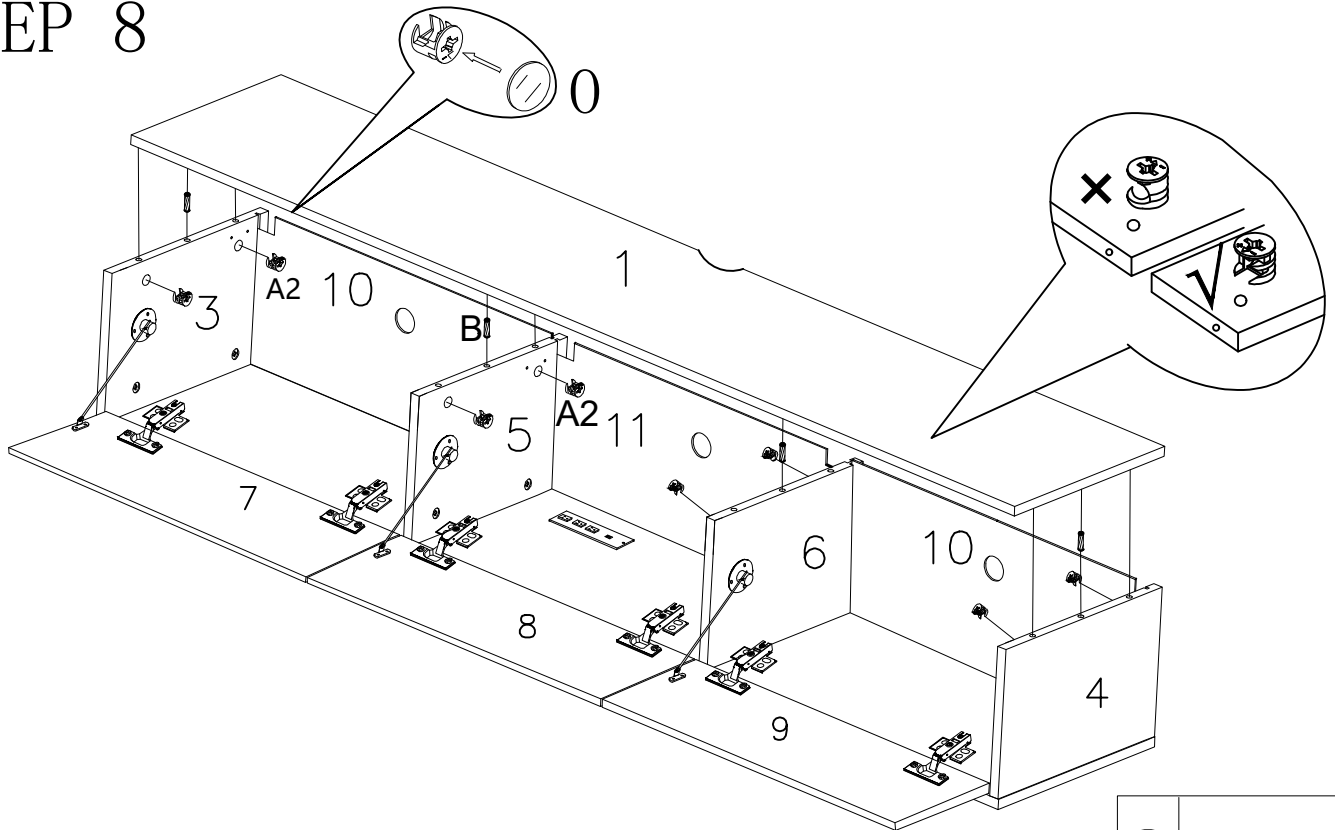
	C × 24PCS
---	-----------




STEP 7



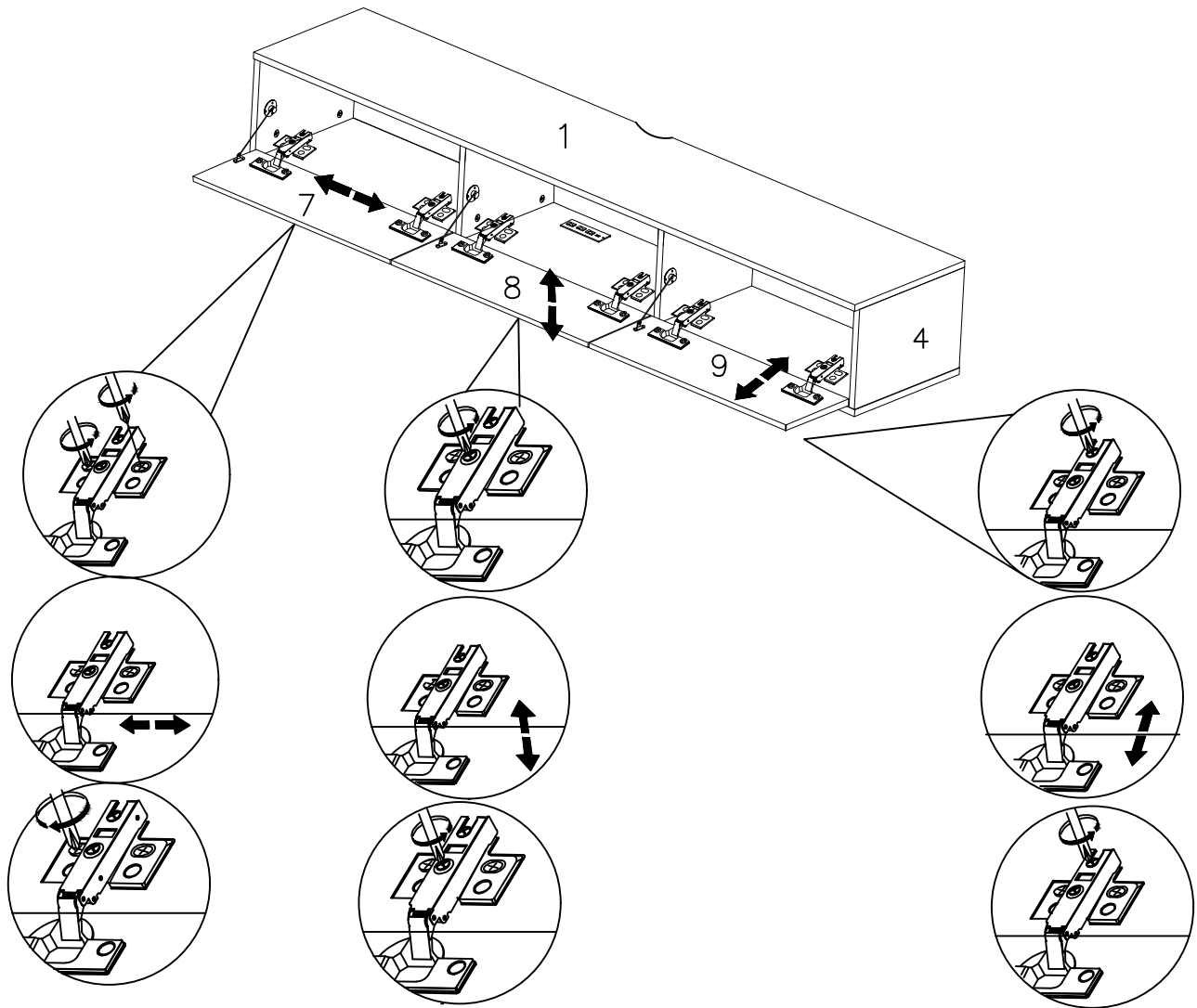
	L × 3PCS
	C × 9PCS
	D × 6PCS

STEP 8

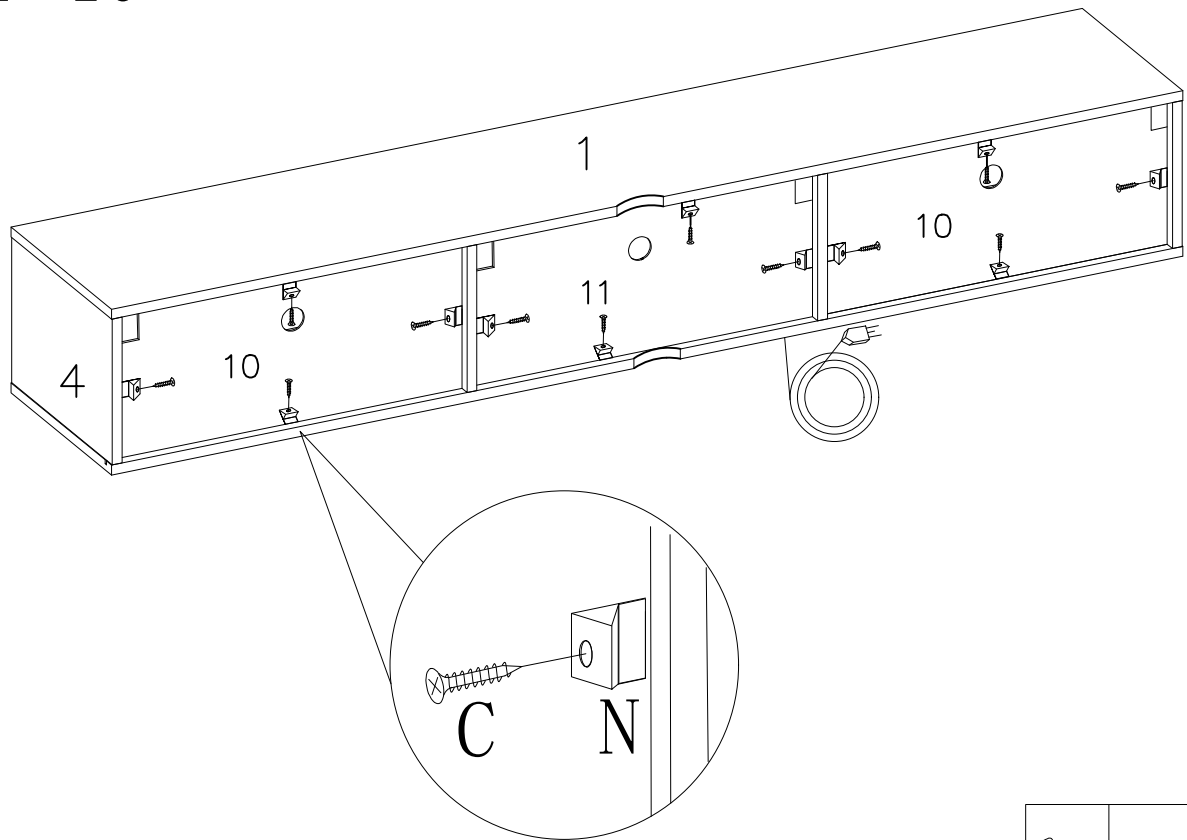




	O × 8PCS
	A2 × 8PCS
	B × 4PCS

STEP 9

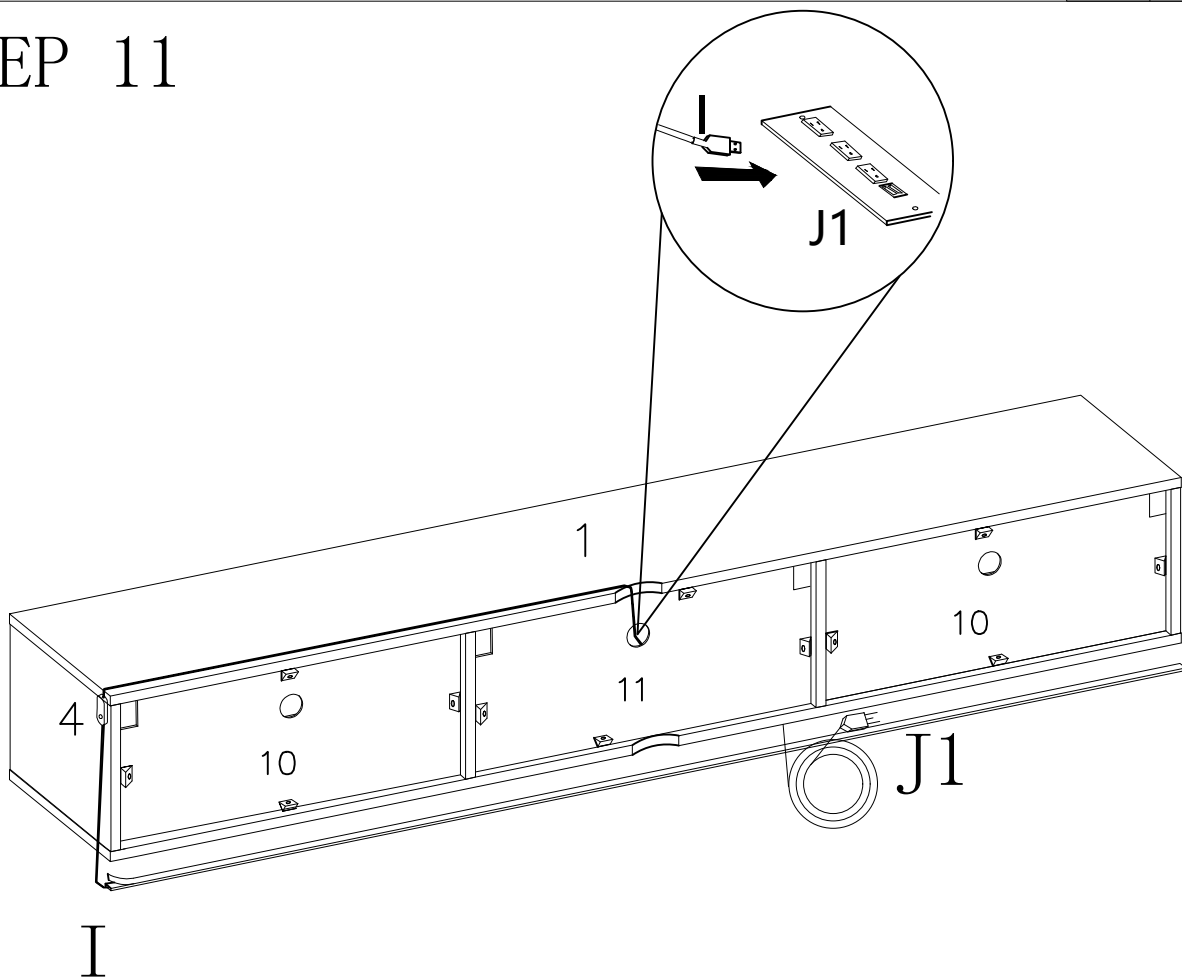


STEP 10



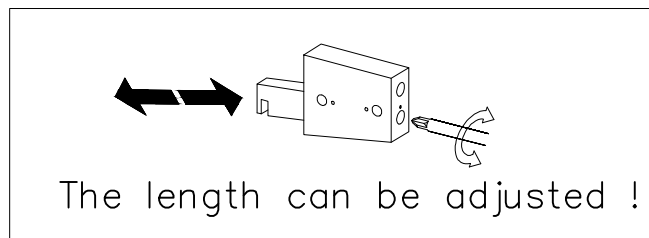
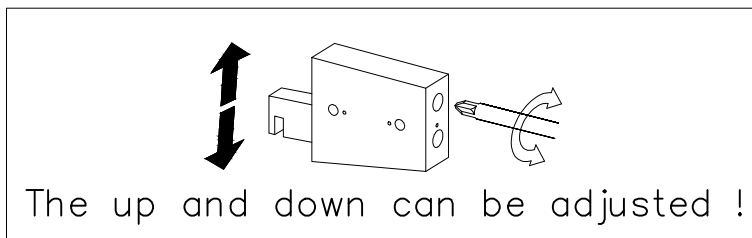
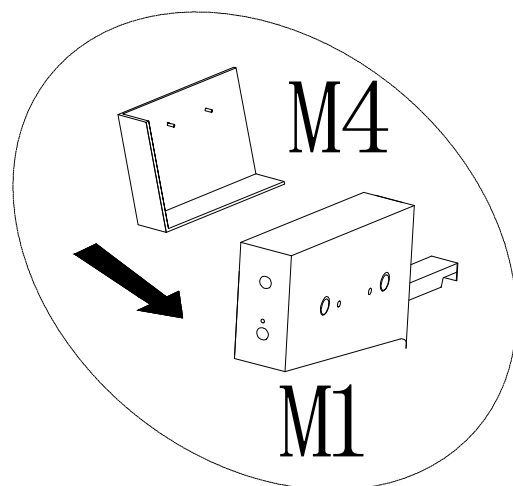
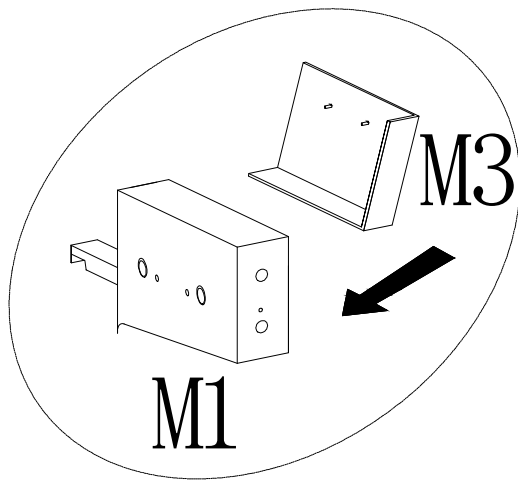
	C × 12PCS
	N × 12PCS

STEP 11

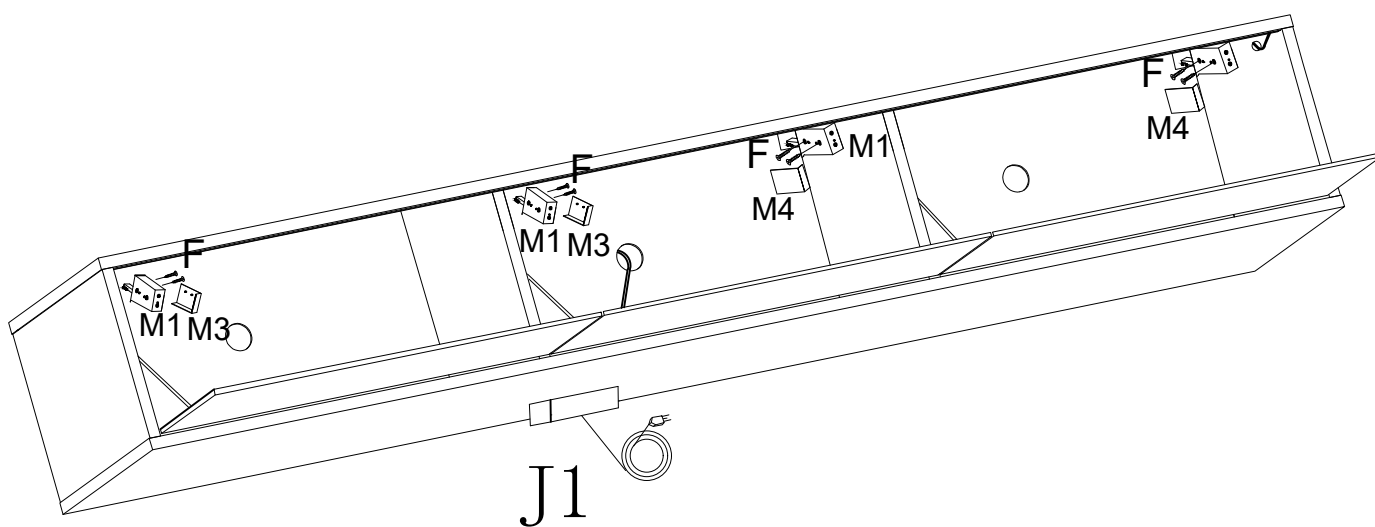




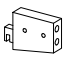

	I × 1PC
---	---------

STEP 12



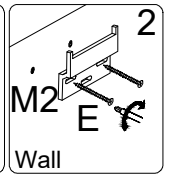
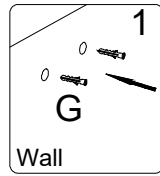
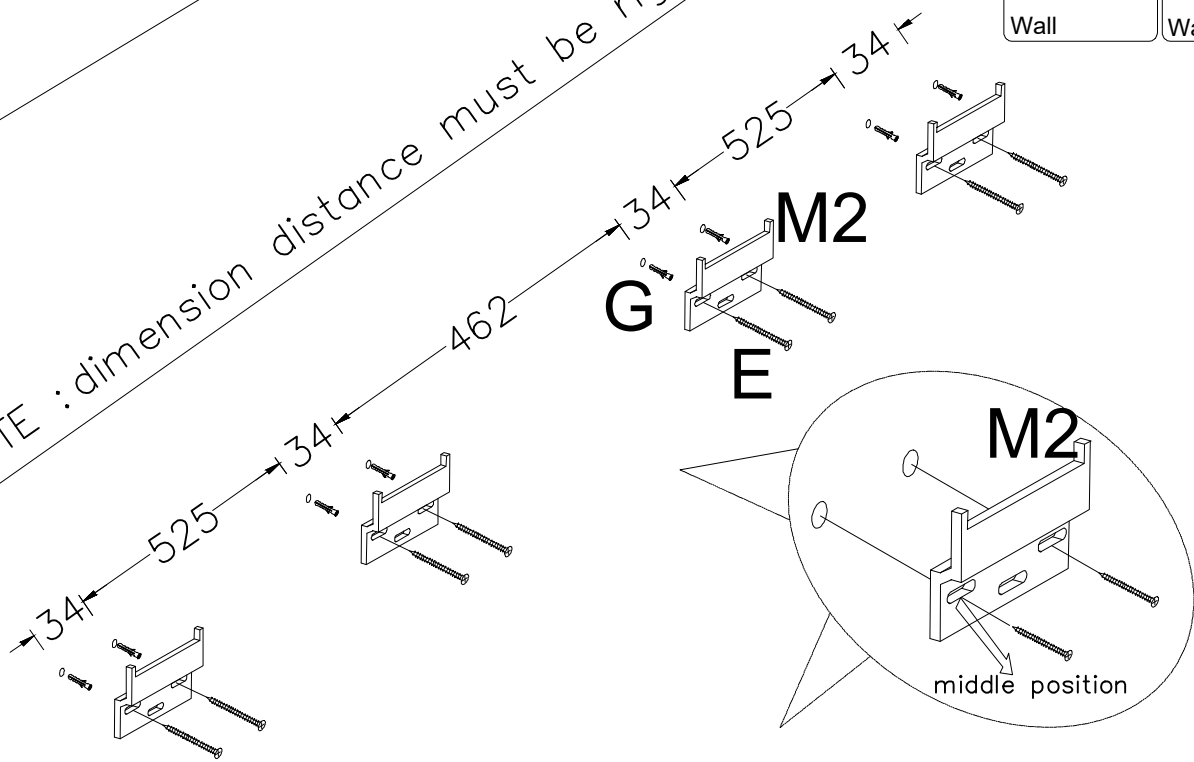
STEP 13


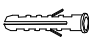
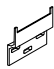


	F × 8PCS		M3 × 2PCS
	M1 × 4PCS		M4 × 2PCS

STEP 14

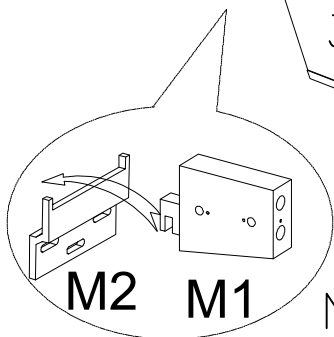
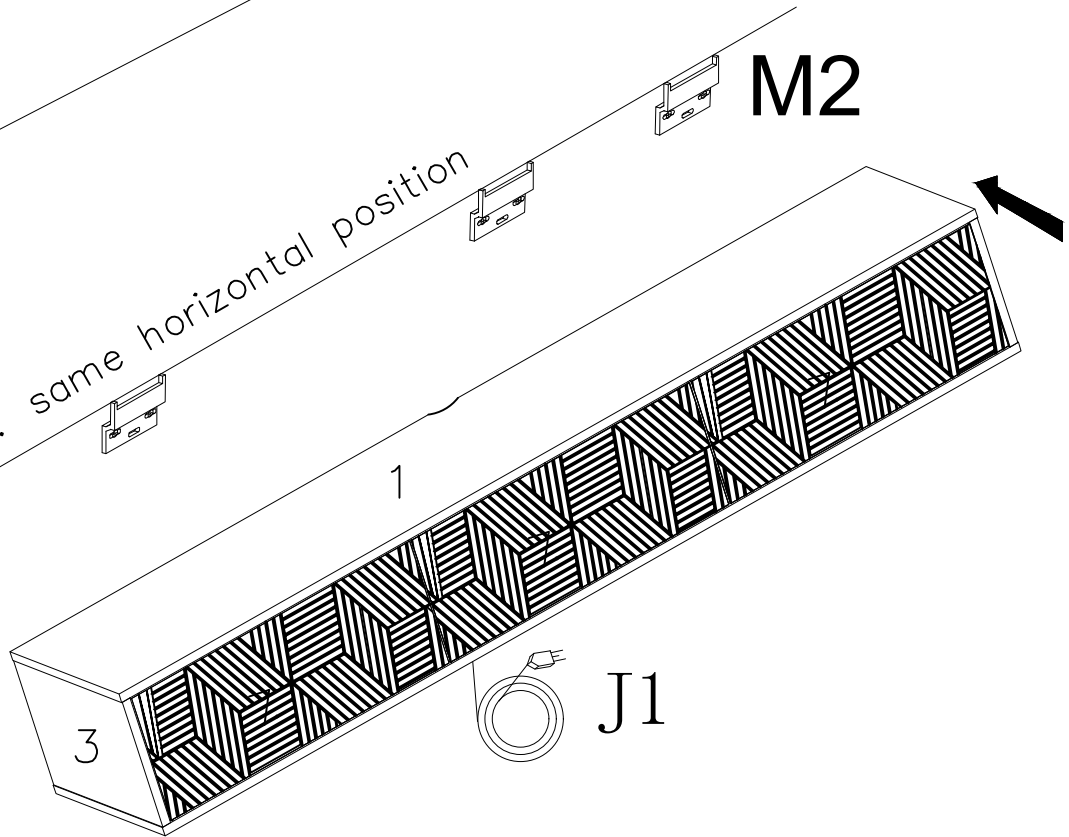
NOTE : dimension distance must be right !



	EX 8PCS		GX 8PCS		M2X 4PCS
---	---------	---	---------	---	----------

STEP 15

NOTE : same horizontal position



NOTE : install the cabinet on the M2 !