
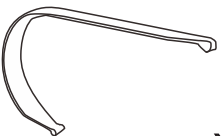
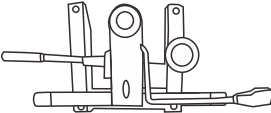

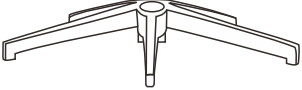






# Conference Chair

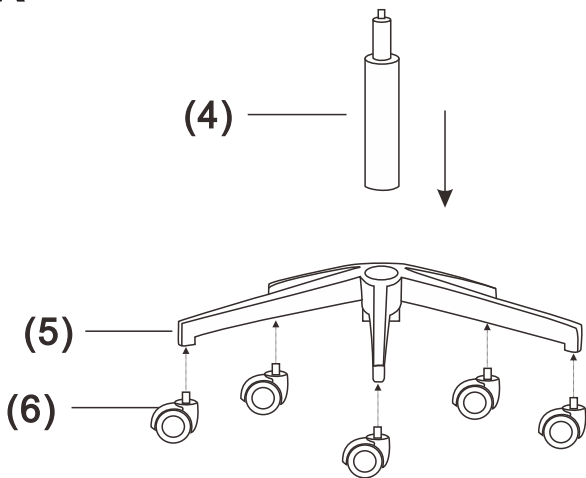
(BLACK/NOIR)

## PART LIST/Liste des pièces

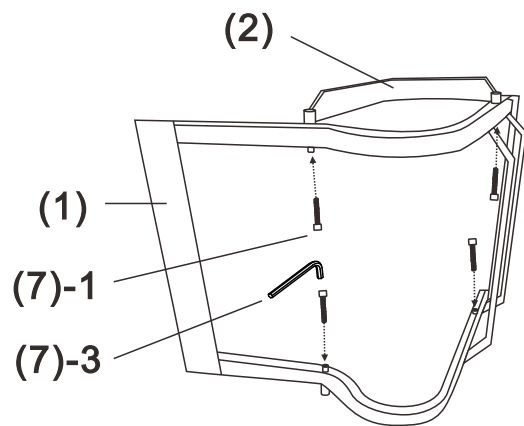
(1)	(2)	(3)	(4)
 X1	 X2	 X1	 X1
(5)	(6)	(7)	
 X1	 X5	1.  X4 8*40mm	
		2.  X4 8*16mm	
		3.  X1	

## INSTRUCTION

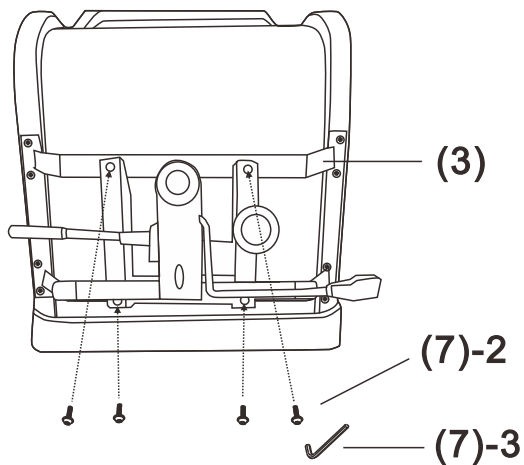
**A**



**B**



**C**



**D**

