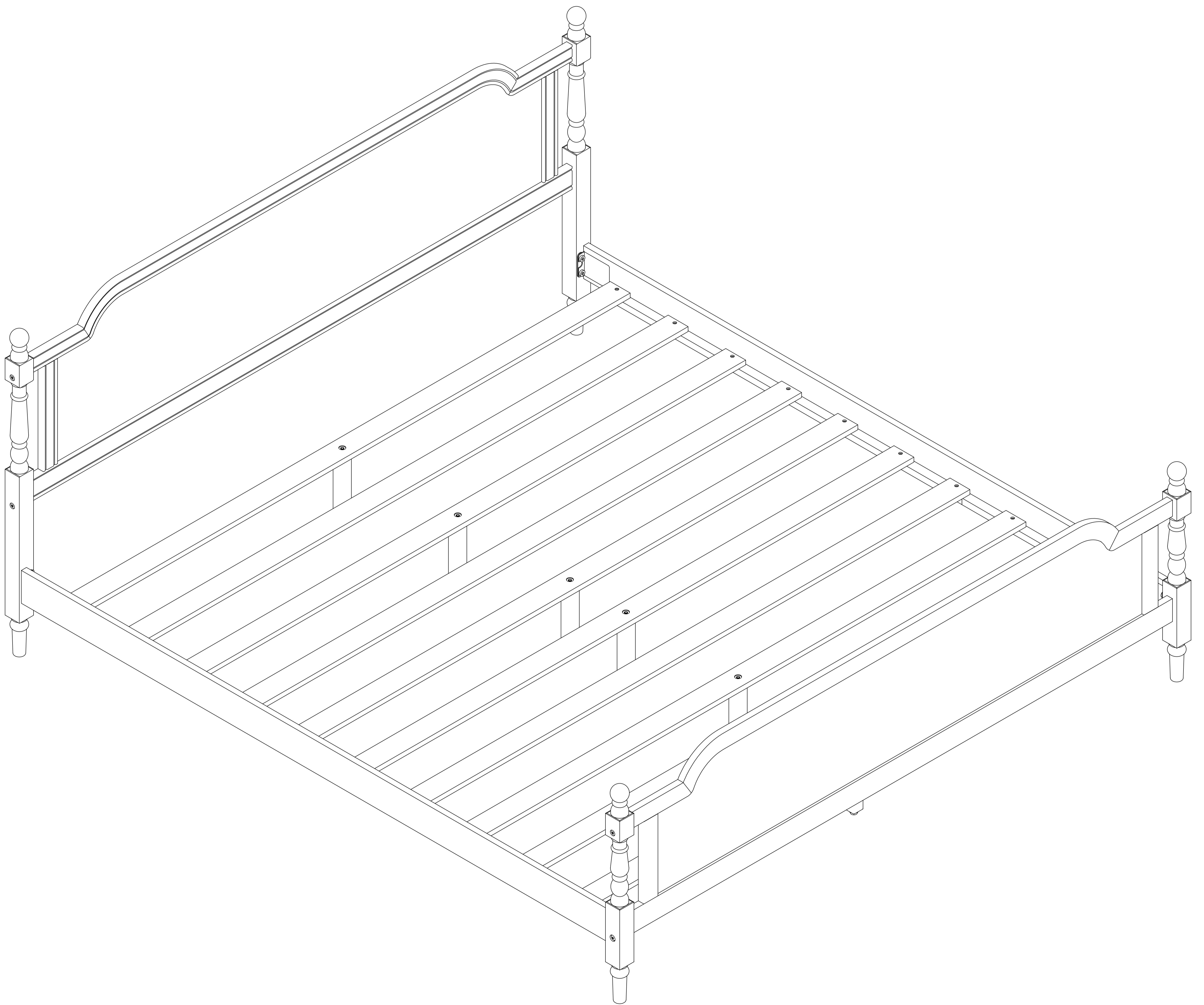
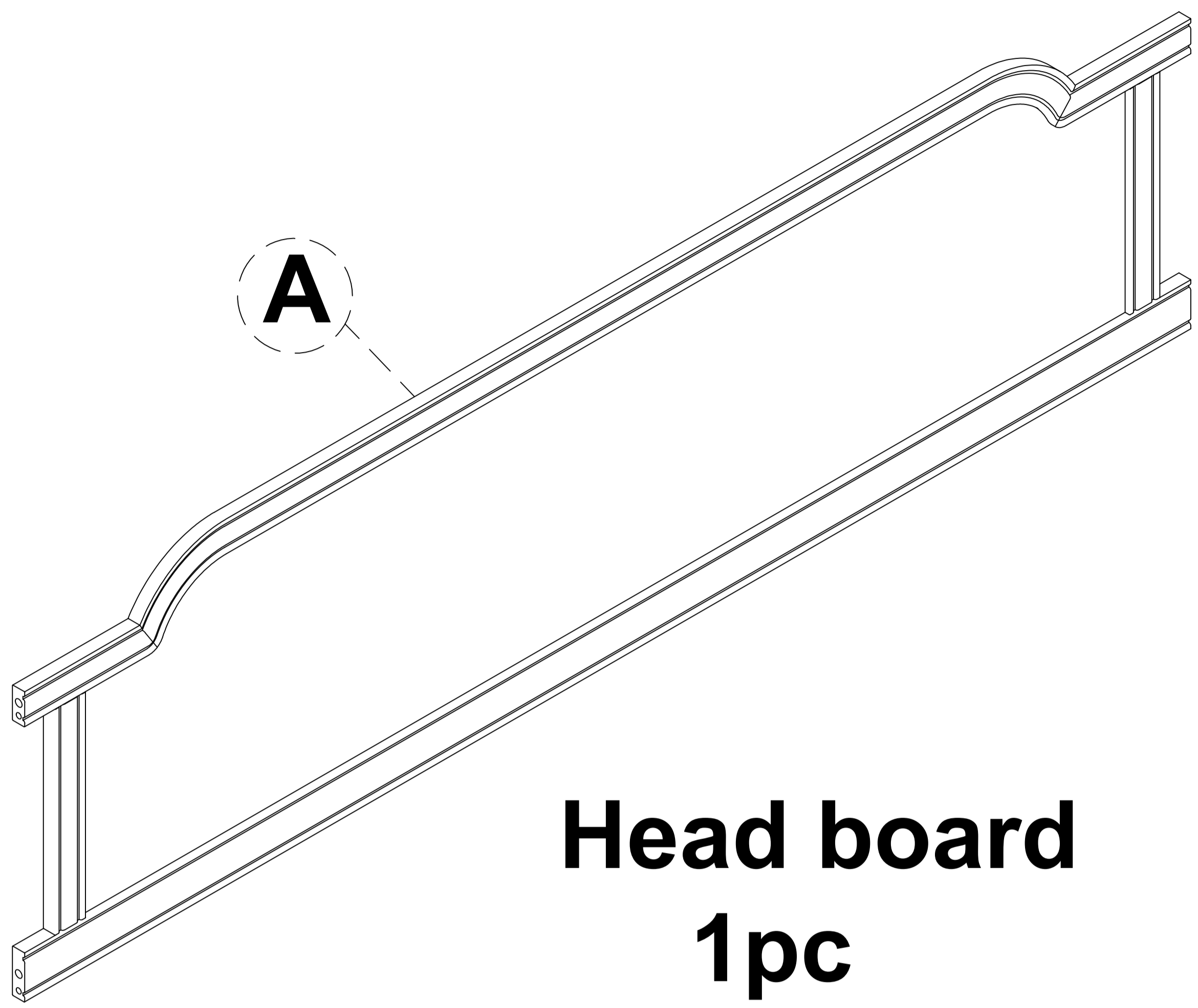


# ASSEMBLY INSTRUCTION

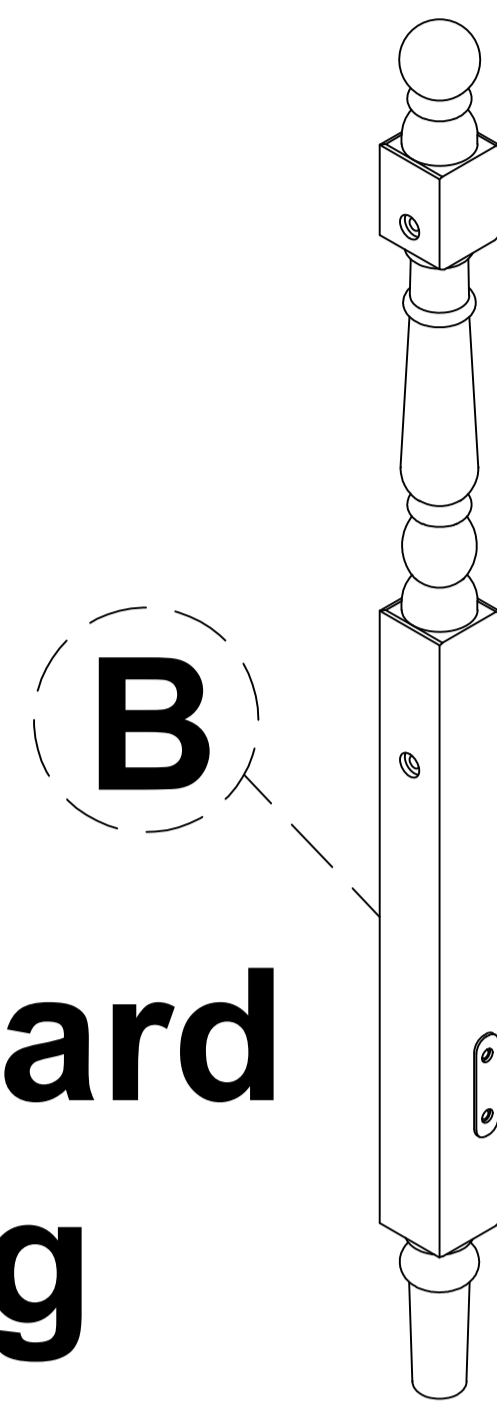
## RATTAN QUEEN/ KING BED



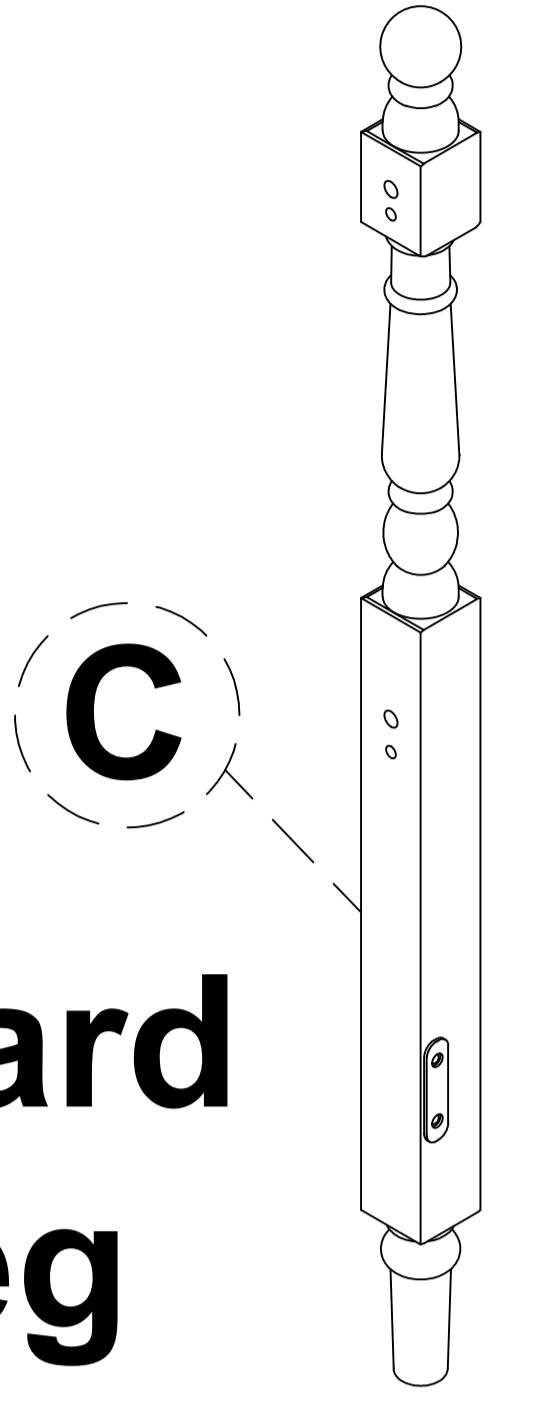
# Part List



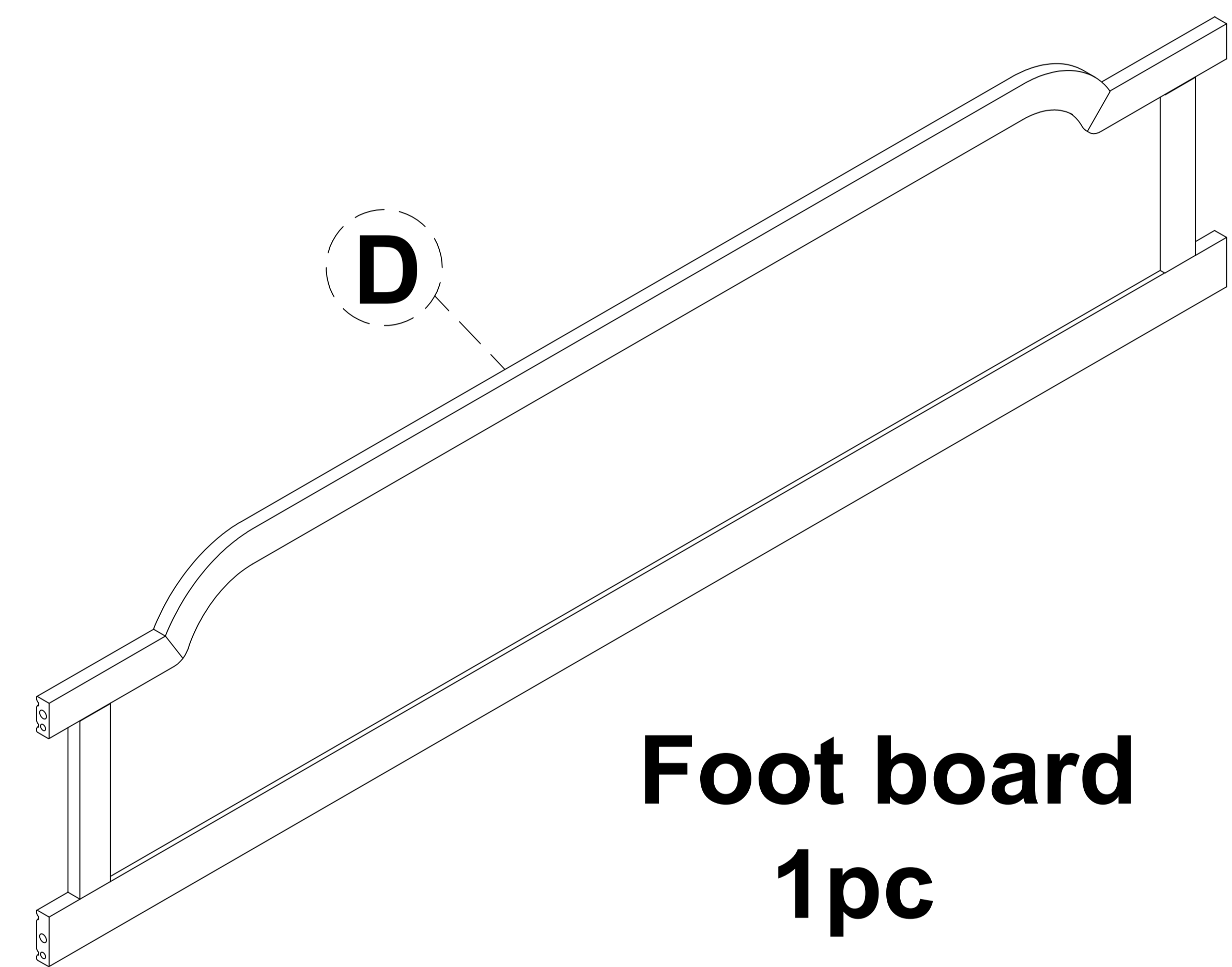
**Head board  
1pc**



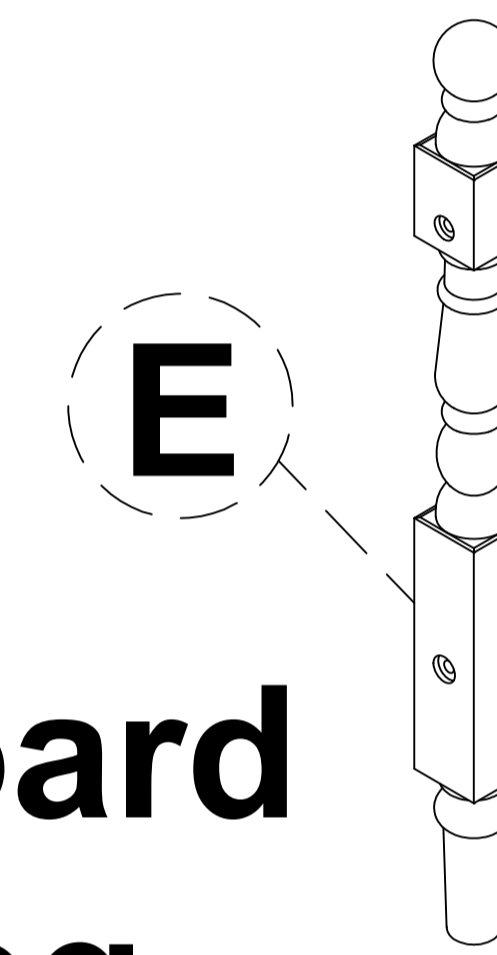
**Headboard  
Left leg  
( 1pc )**



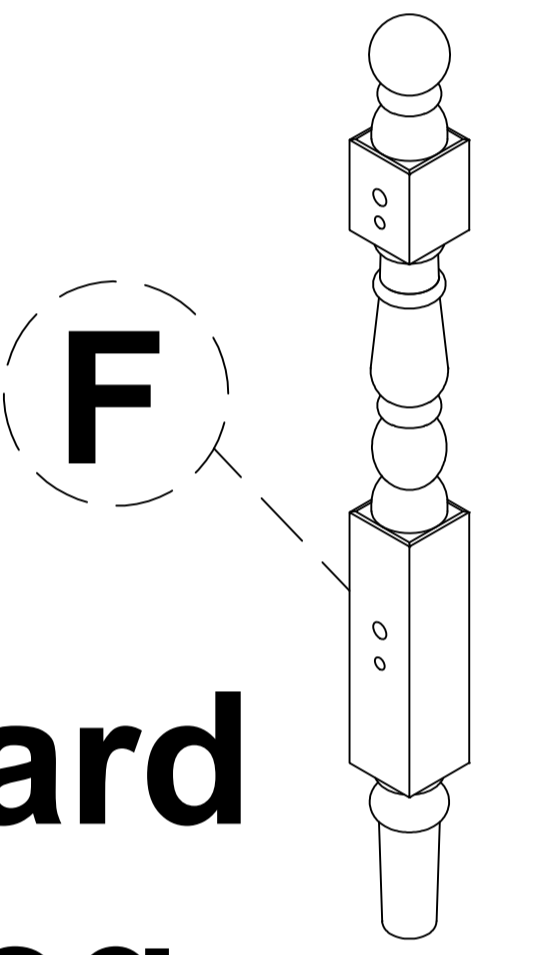
**Headboard  
Right leg  
( 1pc )**



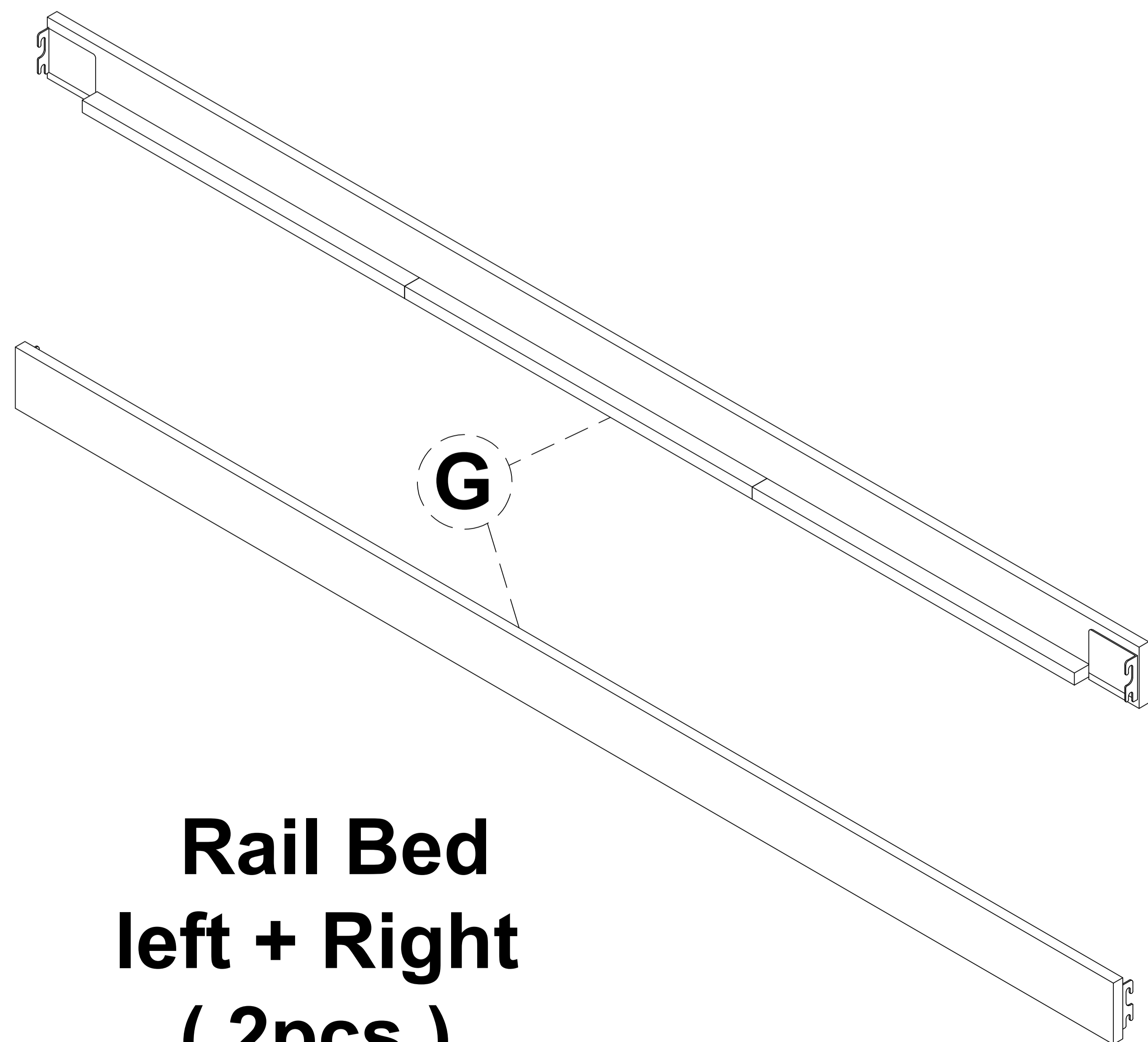
**Foot board  
1pc**



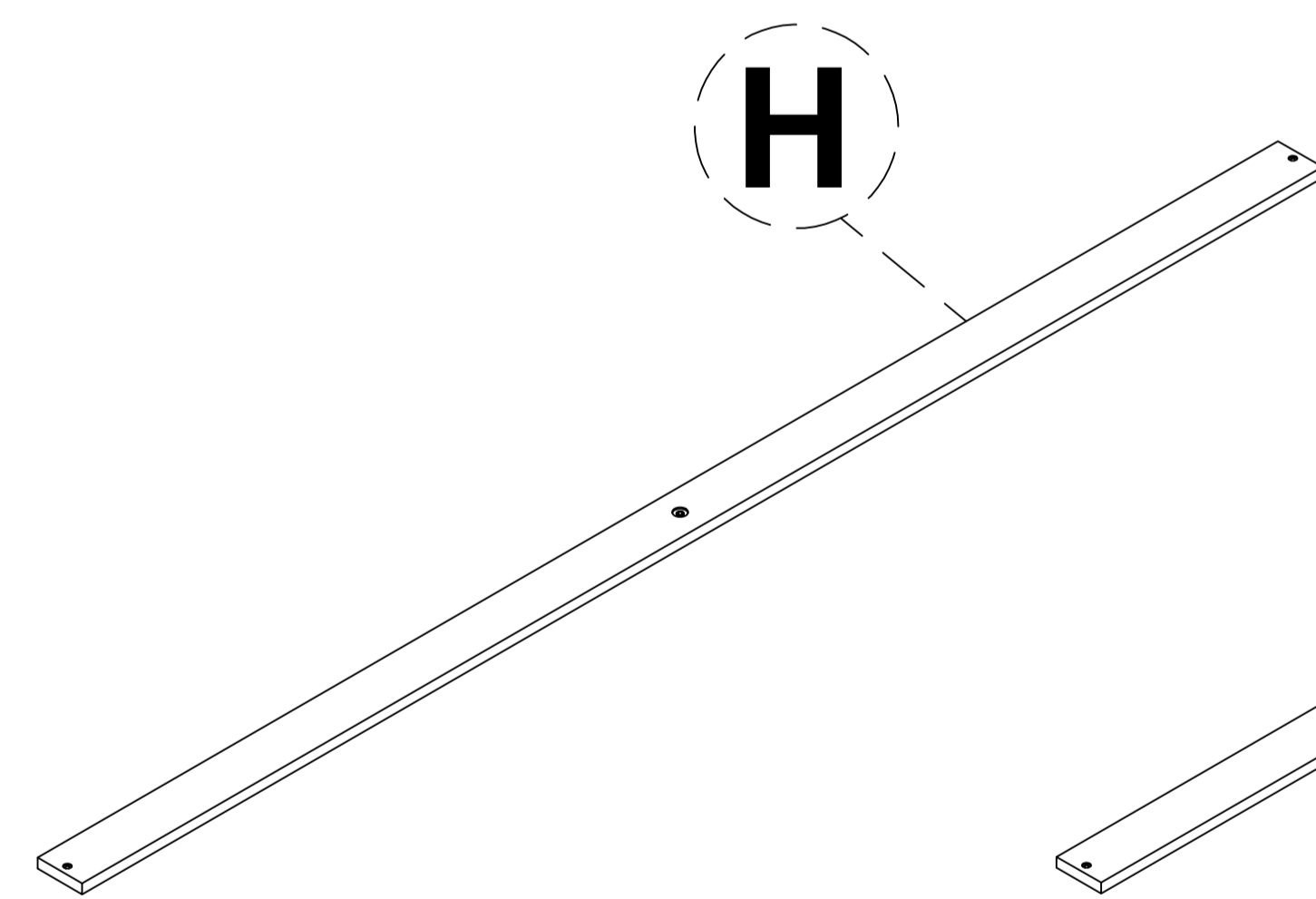
**Footboard  
Left leg  
( 1pc )**



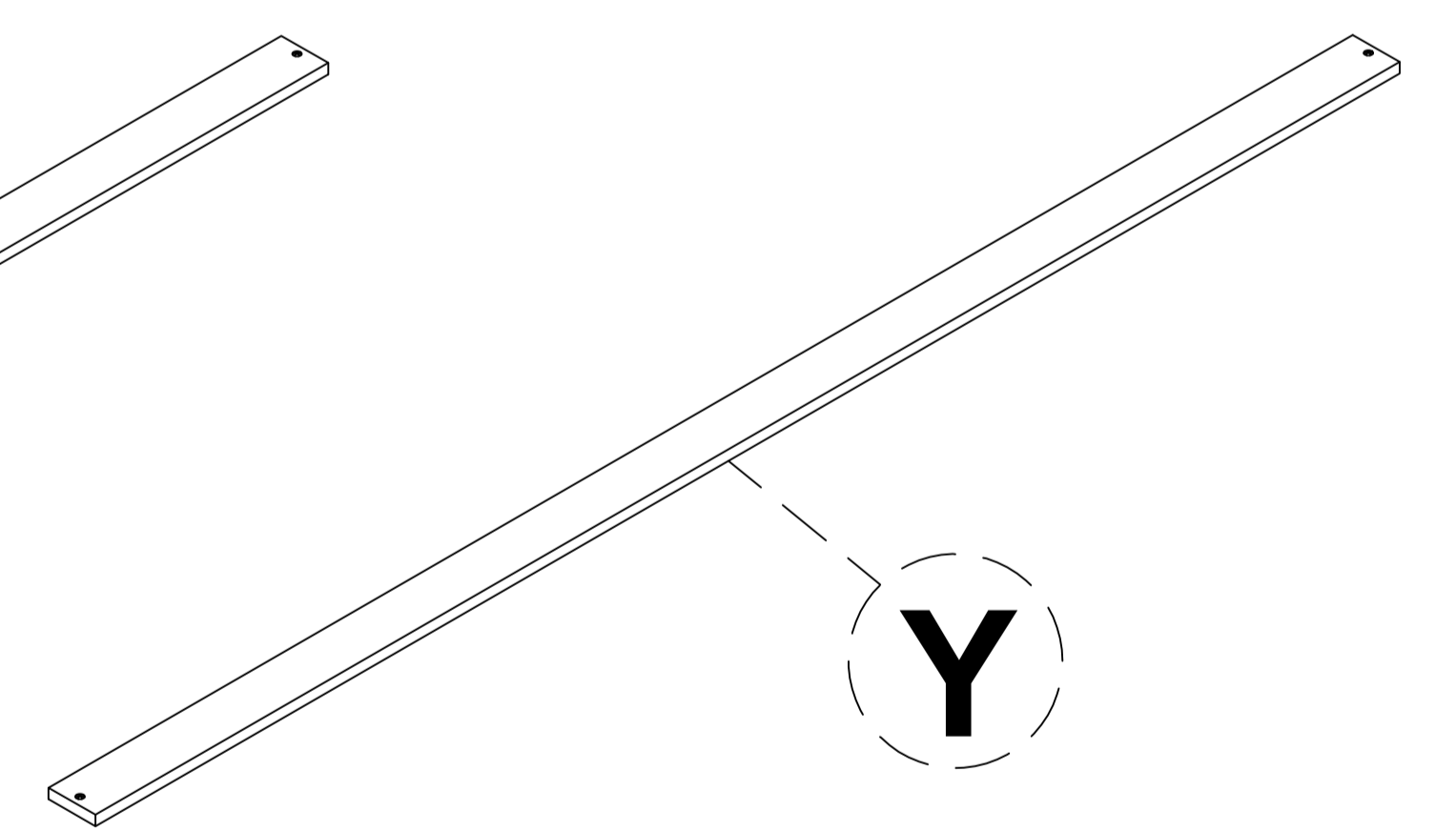
**Footboard  
Right leg  
( 1pc )**



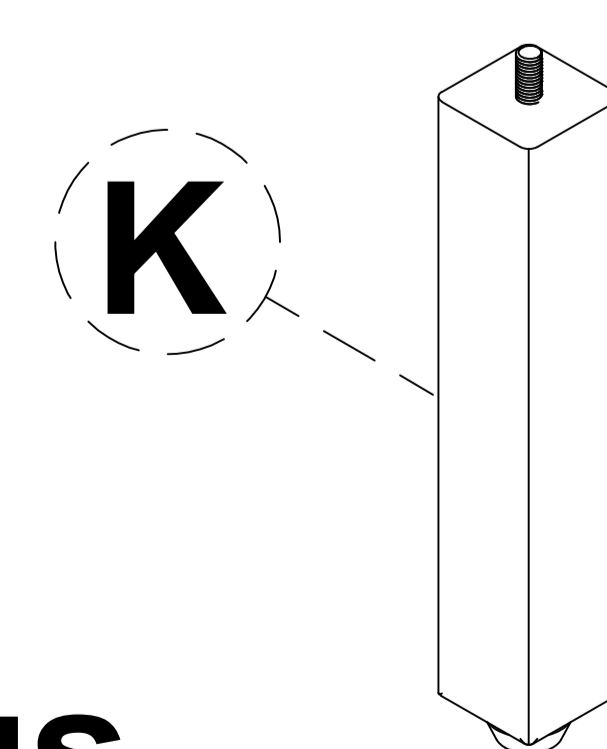
**Rail Bed  
left + Right  
( 2pcs )**



**Slats - H  
( 6pcs )**

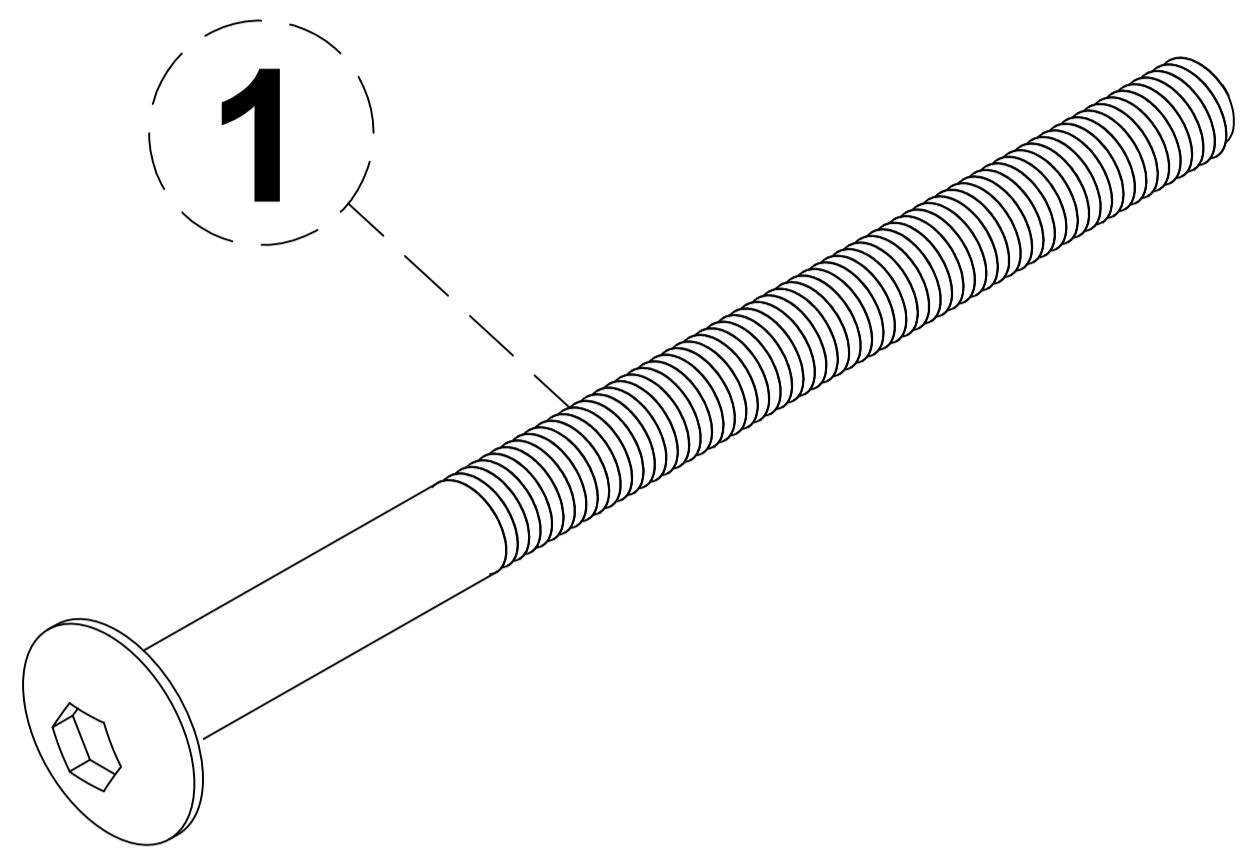


**Slats Y  
( 4pcs )**

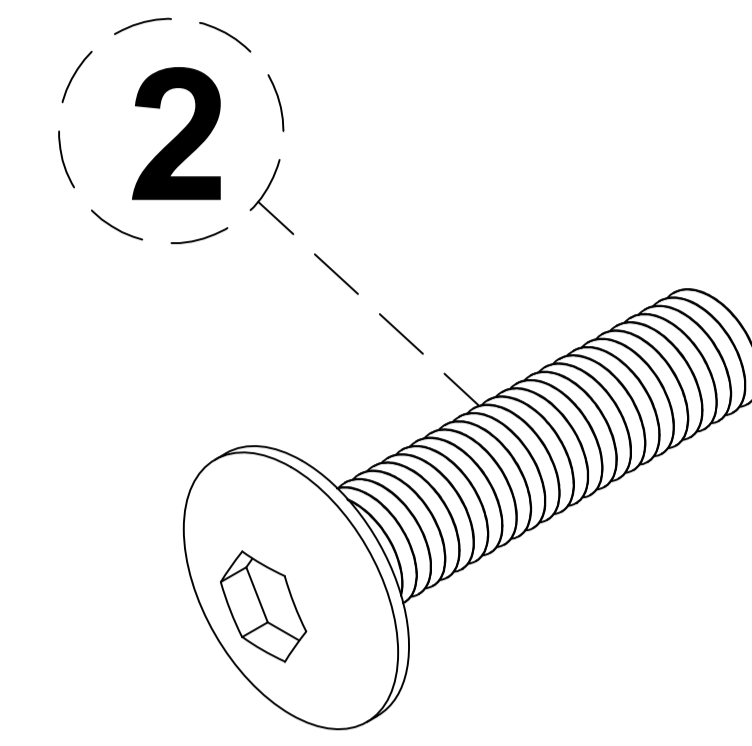


**Legs  
( 6pcs )**

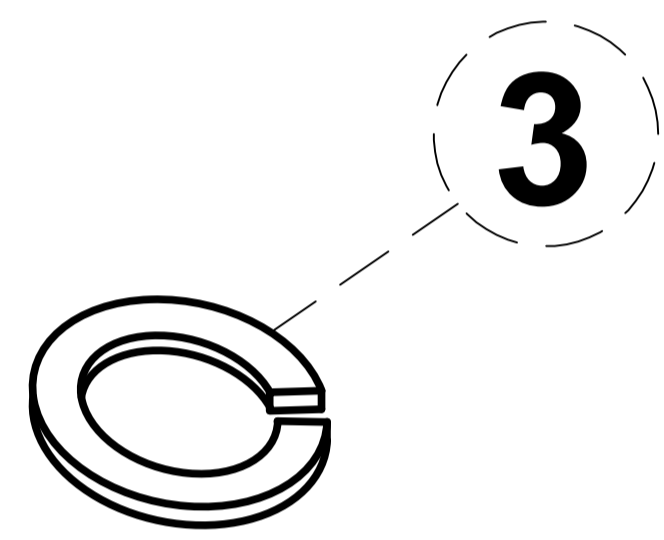
# Hardware List



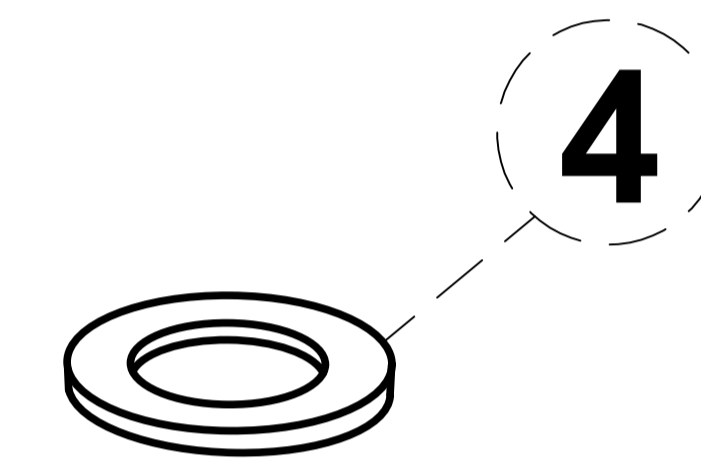
Allen Head Bolts and **Foot board**  
( Head of bolts are 13mm )  
( M6 x 80mm = 8pcs )



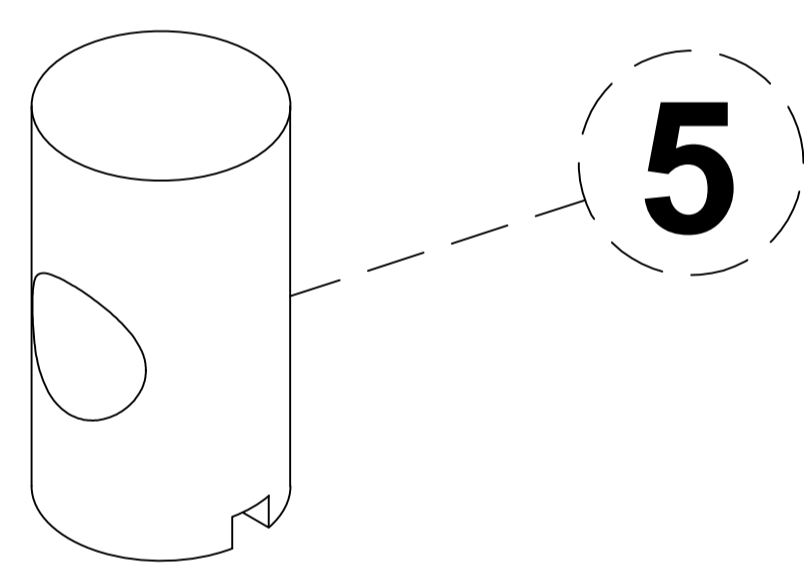
Allen **Rail Bed**  
( Head of bolts are 15 mm )  
( M8 x 15mm = 8pcs )



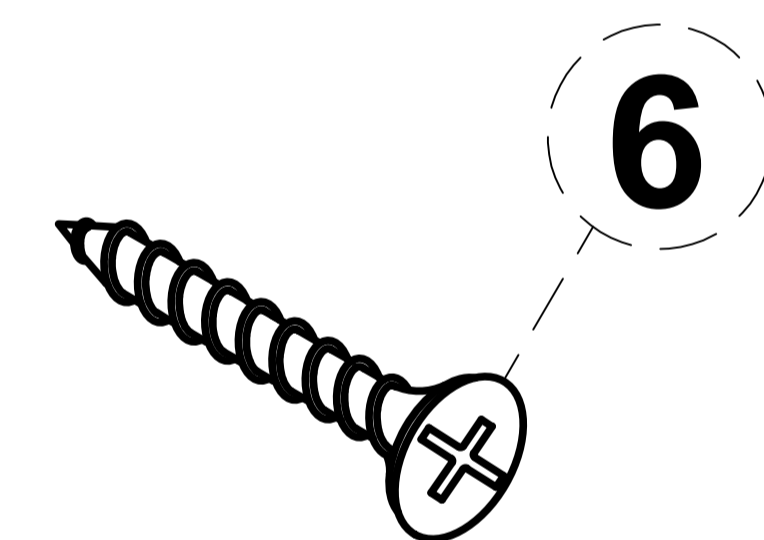
Lock Washers Ø11  
( = 8pcs )



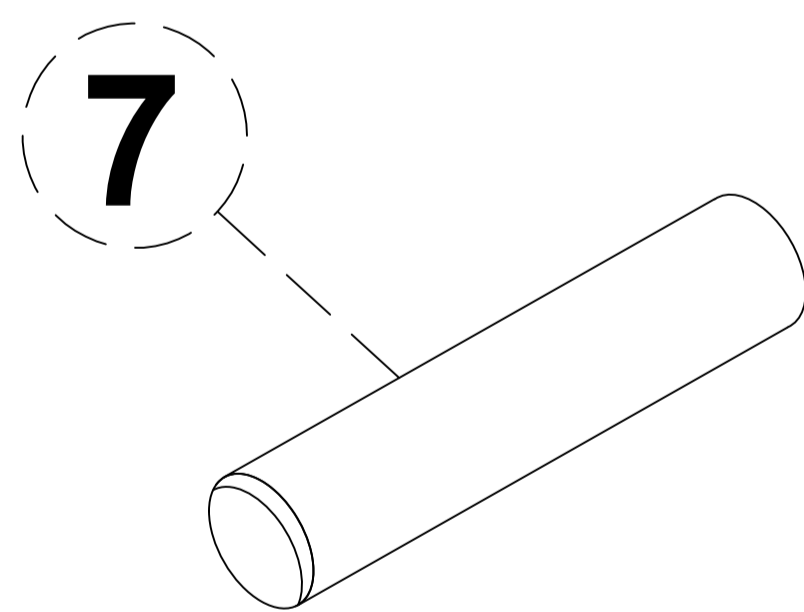
Washers Ø13  
( = 8pcs )



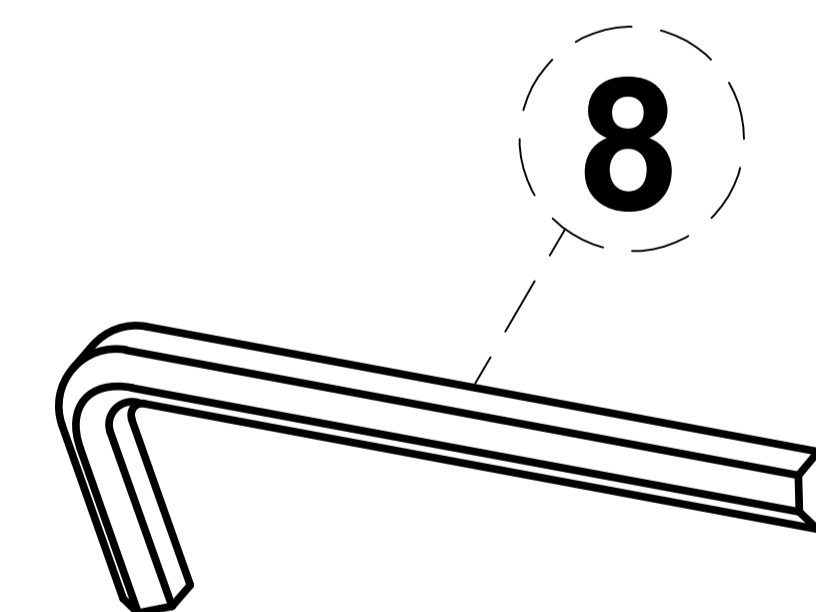
Cross dowels 9.5 x 18mm  
( = 8pcs )



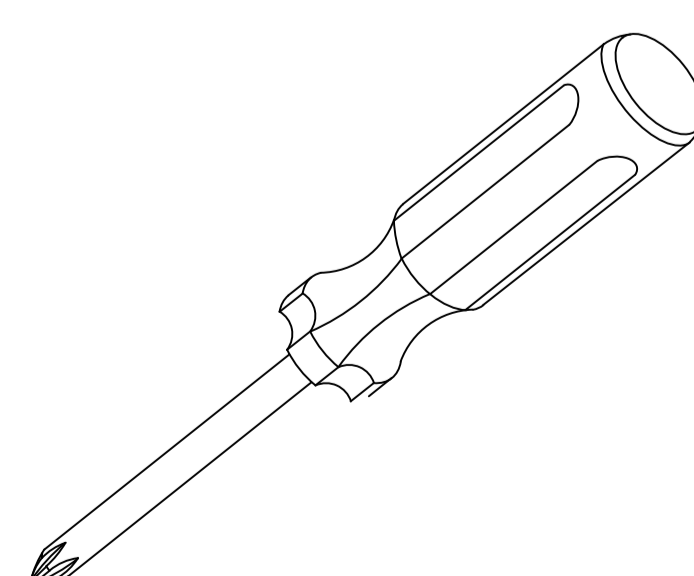
Wood Screws M4 x 30mm  
( = **20pcs** )



Wood dowel Ø10 x 40mm  
( = 8pcs )

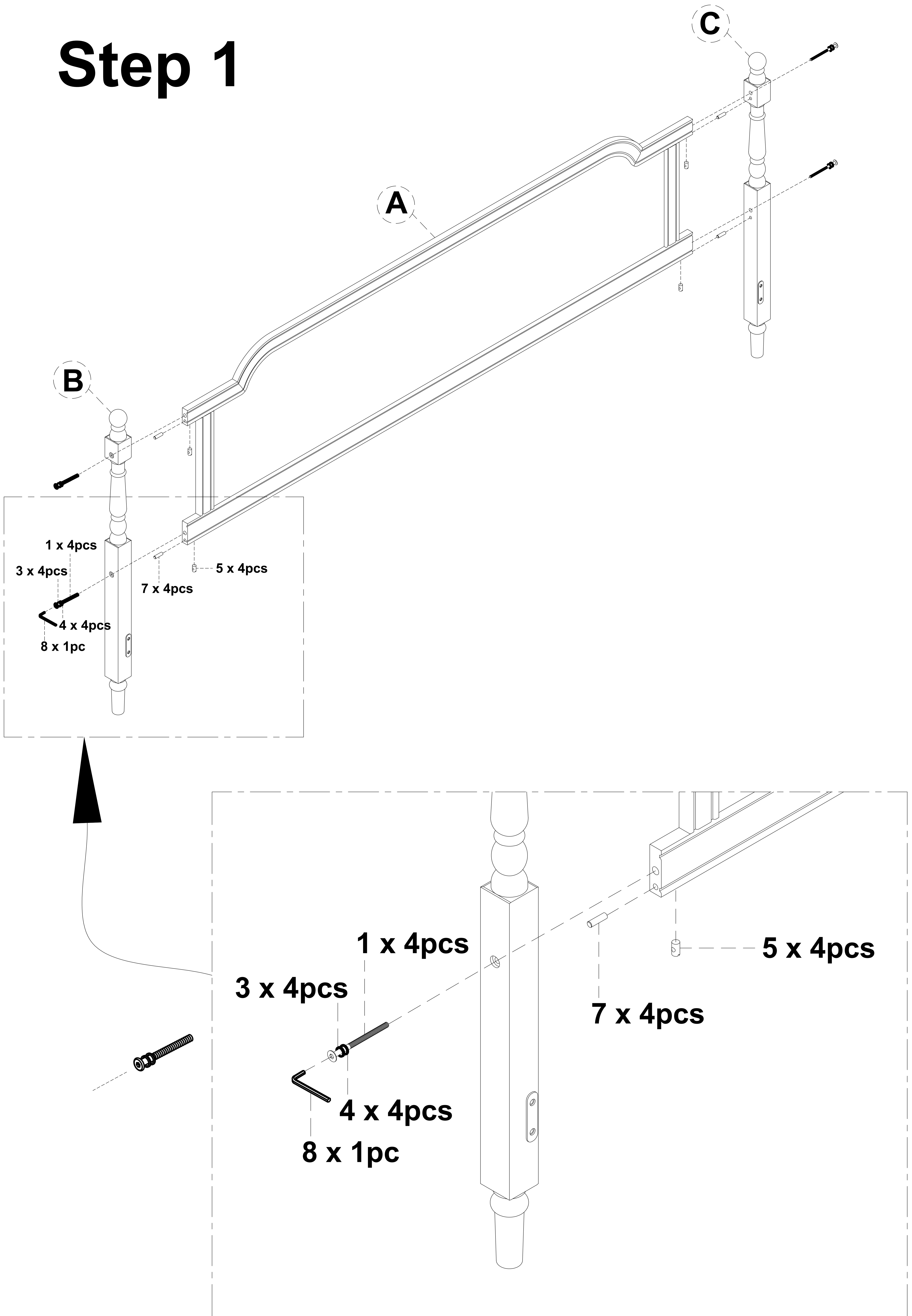


Allen wrenches  
( = 1pc )

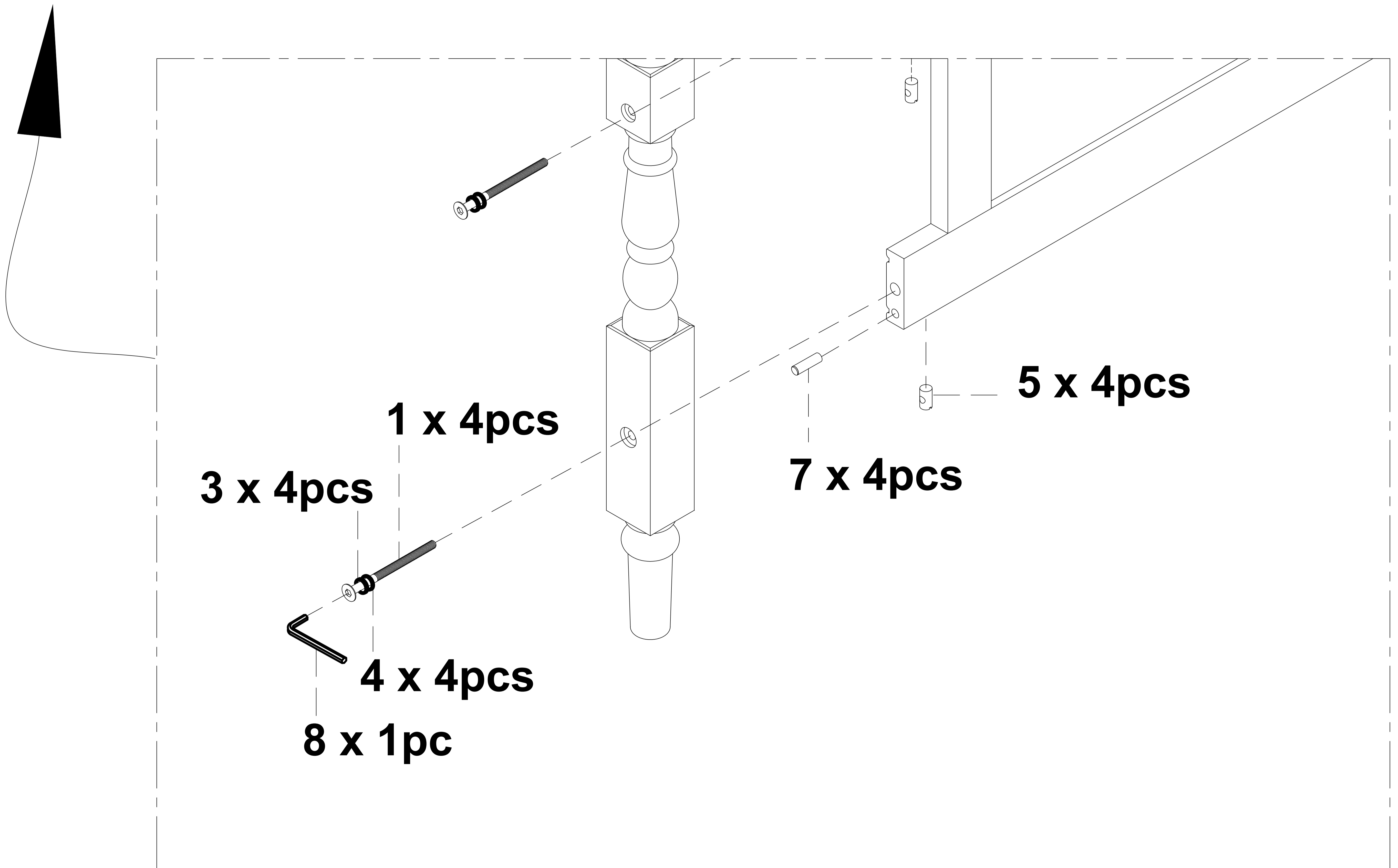
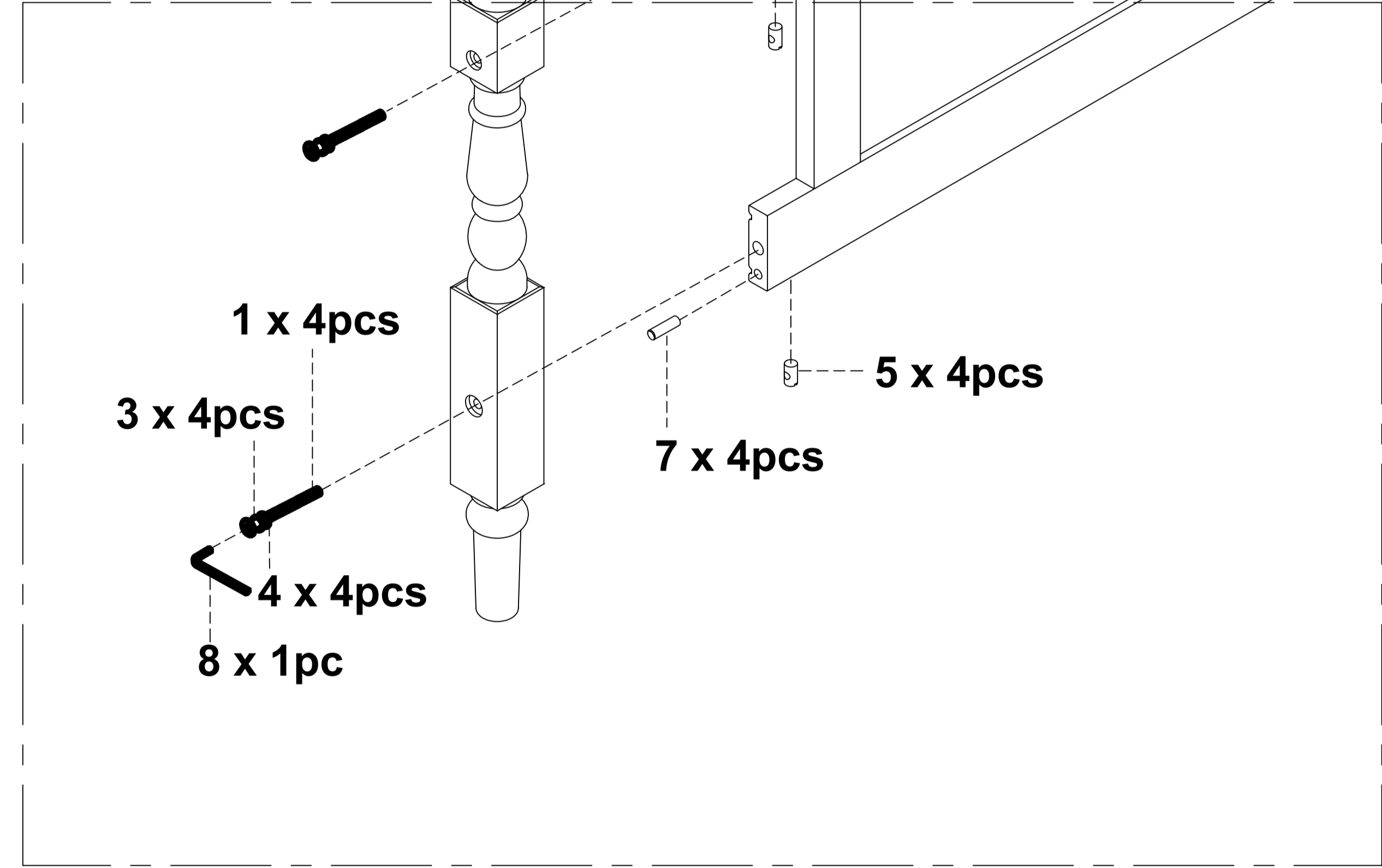
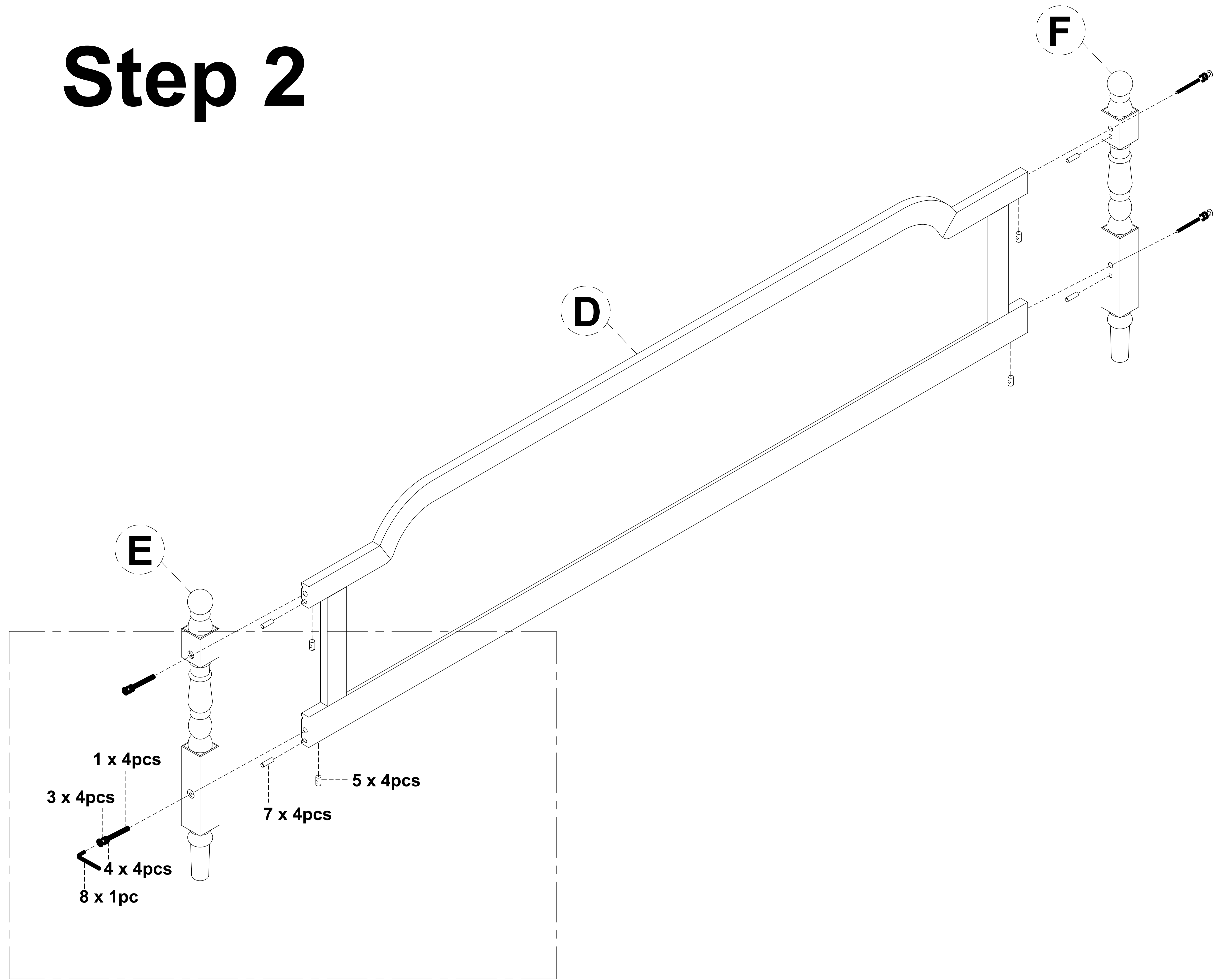


not included cross point screwdriver

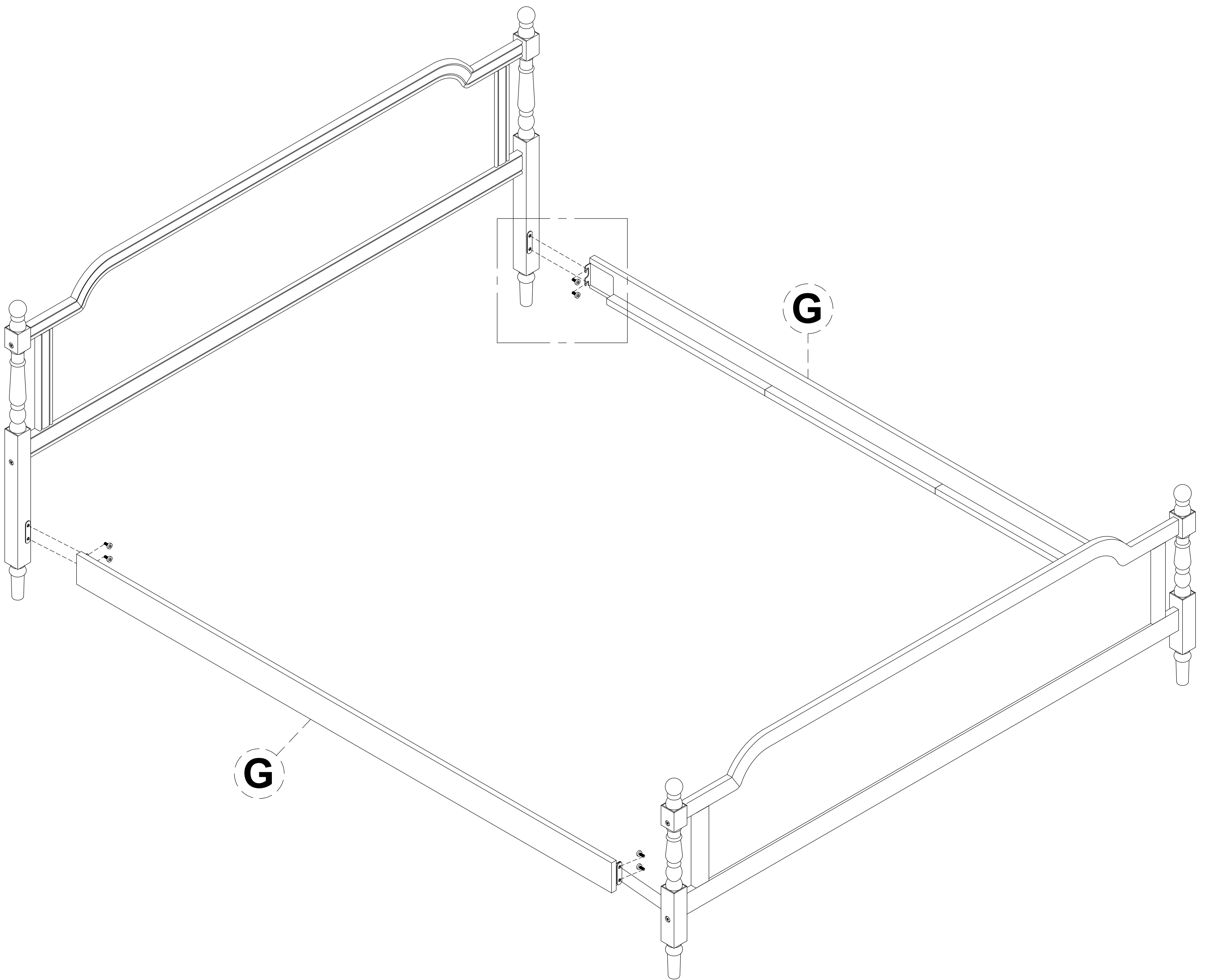
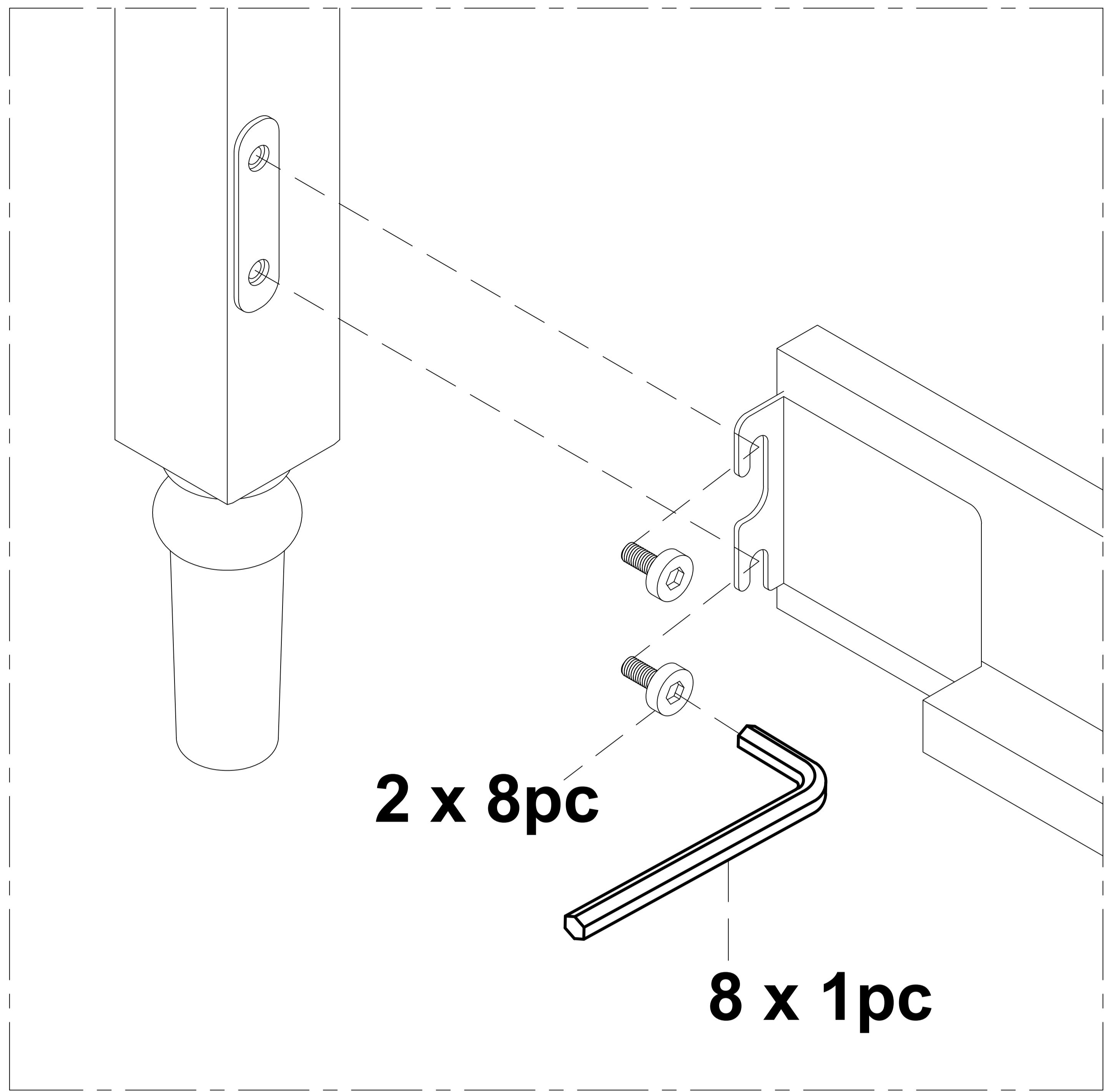
# Step 1



# Step 2

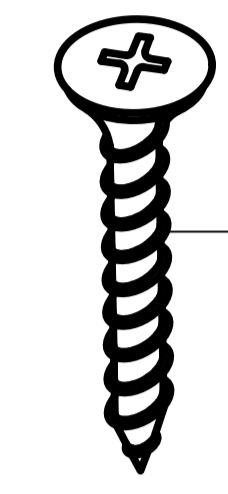
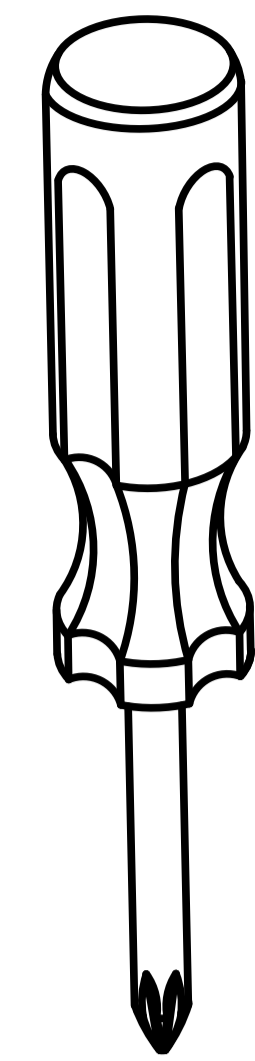
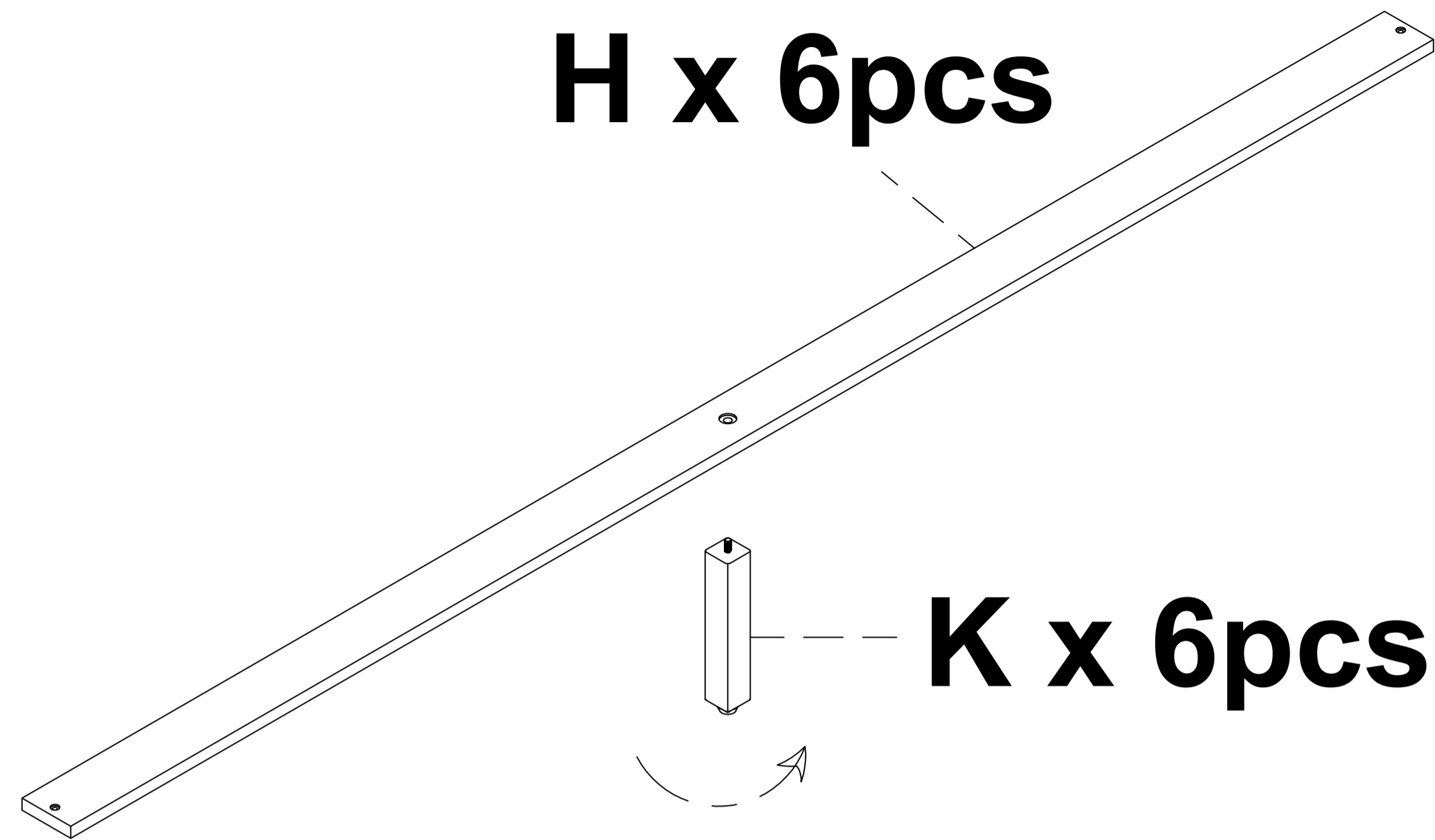


# Step 3

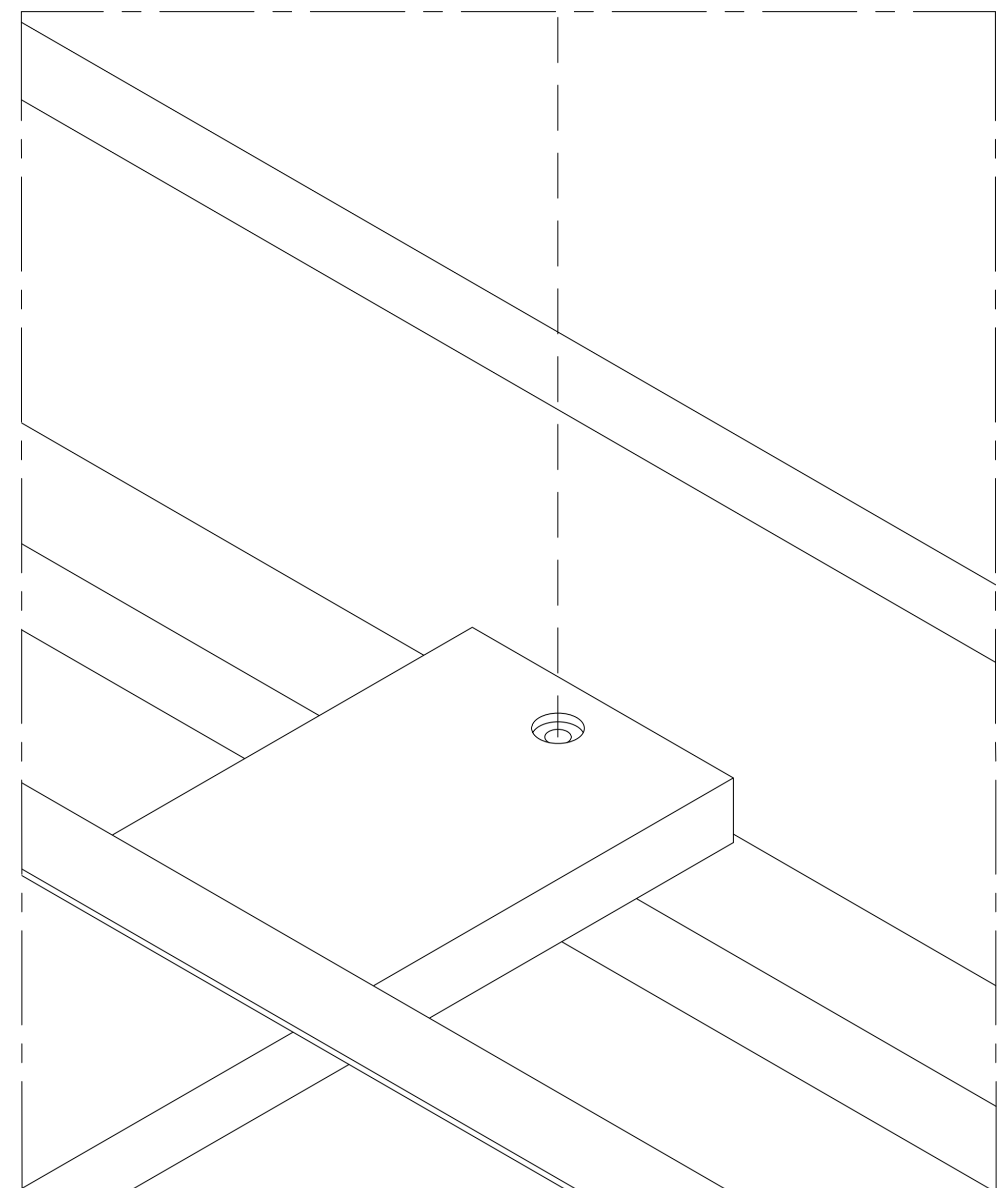


# Step 4

H x 6pcs



6 x 20pcs



# Step 5

