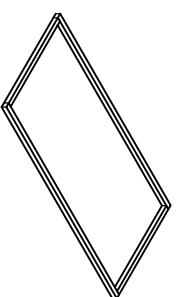
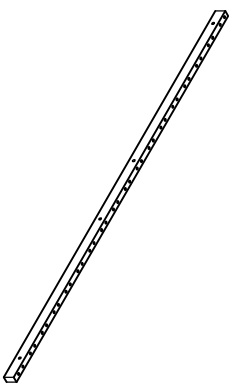


# COMPONENTS

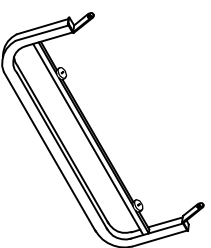
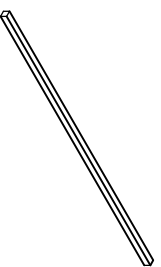
1 2 x Side Rails

2 1 x Slats supporter



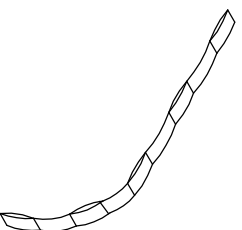
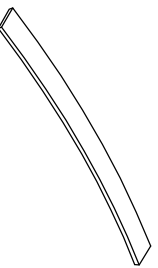
3 2 x Tubing Slats

4 2 x Legs



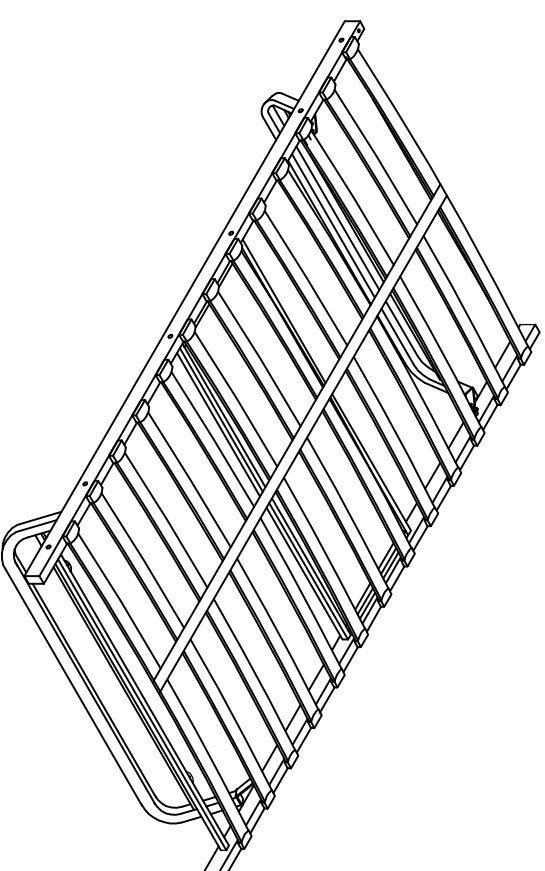
5 13 x Wood Slats

6 1 x Fabric Strap



# Trundle Bed

Simple Assembly Instructions - Please keep for future reference

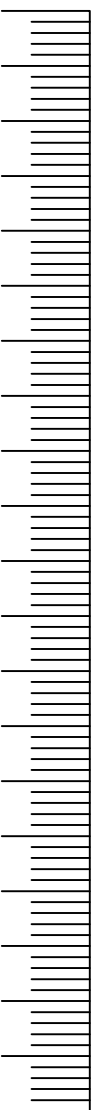


## IMPORTANT

1. Read these instruction carefully and familiarise yourself with the procedure before assembling the unit.
2. Check that you have all the component parts following the list on the back cover and familiarise yourself with each part before proceeding.
3. Take all the fittings out of the plastic bag and separate them into their groups.
4. Ensure you have enough space to lay out all the parts before assembly.
5. To avoid scratching it is recommended that you assemble the unit on a soft level surface.
6. If the room you plan to use your new bed in has a laminate or wood floor, we highly recommend you purchase some anti-skid pads to fit to the underside of the feet of the bed. Floors of this nature offer no grip, which over a small period of time can result in the bed fittings & components coming loose or breaking altogether due to them slowly slipping on the floor. These grips will also protect your floor from any marking that may be caused by your furniture slipping in this manner. These pads can be bought from most good DIY shops or superstores and are relatively inexpensive.

## FITTINGS

<b>A</b>		<b>B</b>		<b>C</b>		<b>D</b>		<b>E</b>		<b>F</b>		<b>G</b>	
	8 PSC		4 PSC		4 PSC		4 PSC		26 PSC		2 PSC		1 PSC



0 10 20 30 40 50 60 70 80 90 100

# Assembly Instructions

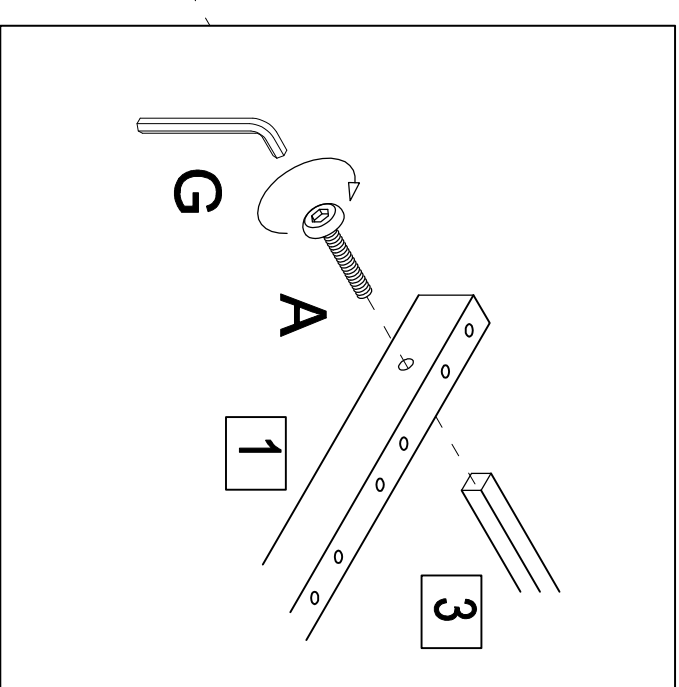
## Step 1- Fitting the Side Rails , Slats supporter , and Tubing Slats



**IMPORTANT :** Because of the size of this unit we recommended that it is built in the room intend for use .

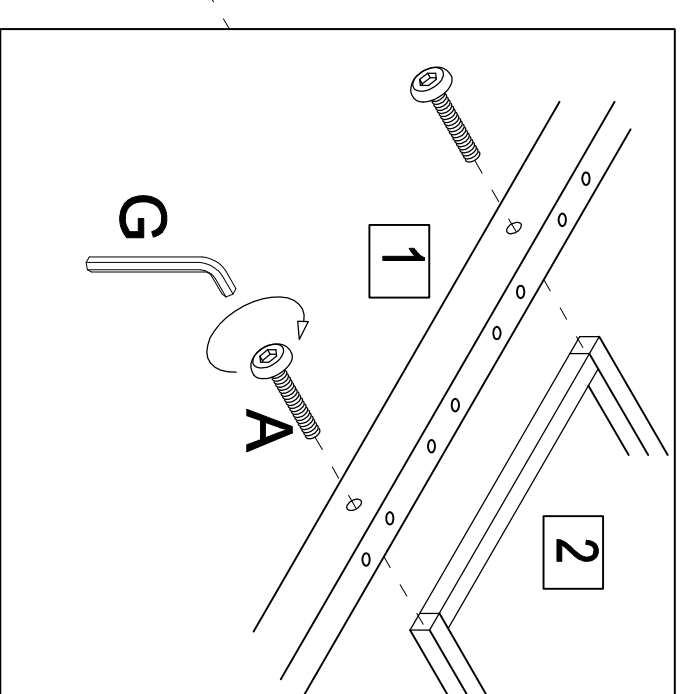
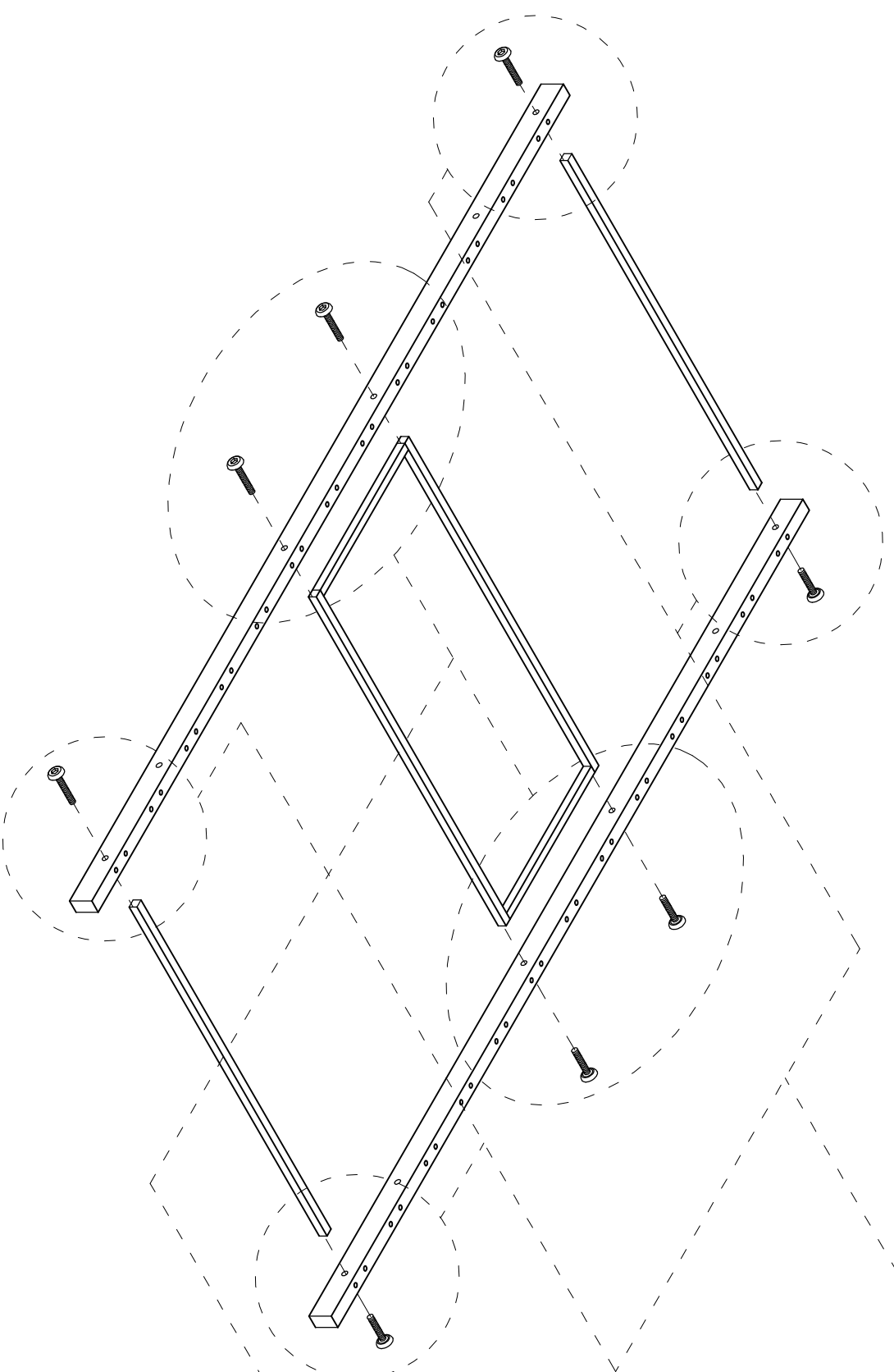
**NOTE :** It would be useful to ask someone to help you during assembly .

**NOTE :** There are many different kinds of screws and parts . Ensure you check before assembly .

Attach the Tubing Slats ( 3 ) to the Side Rails ( 1 ) . Use the JCBC Screw A to secure them.



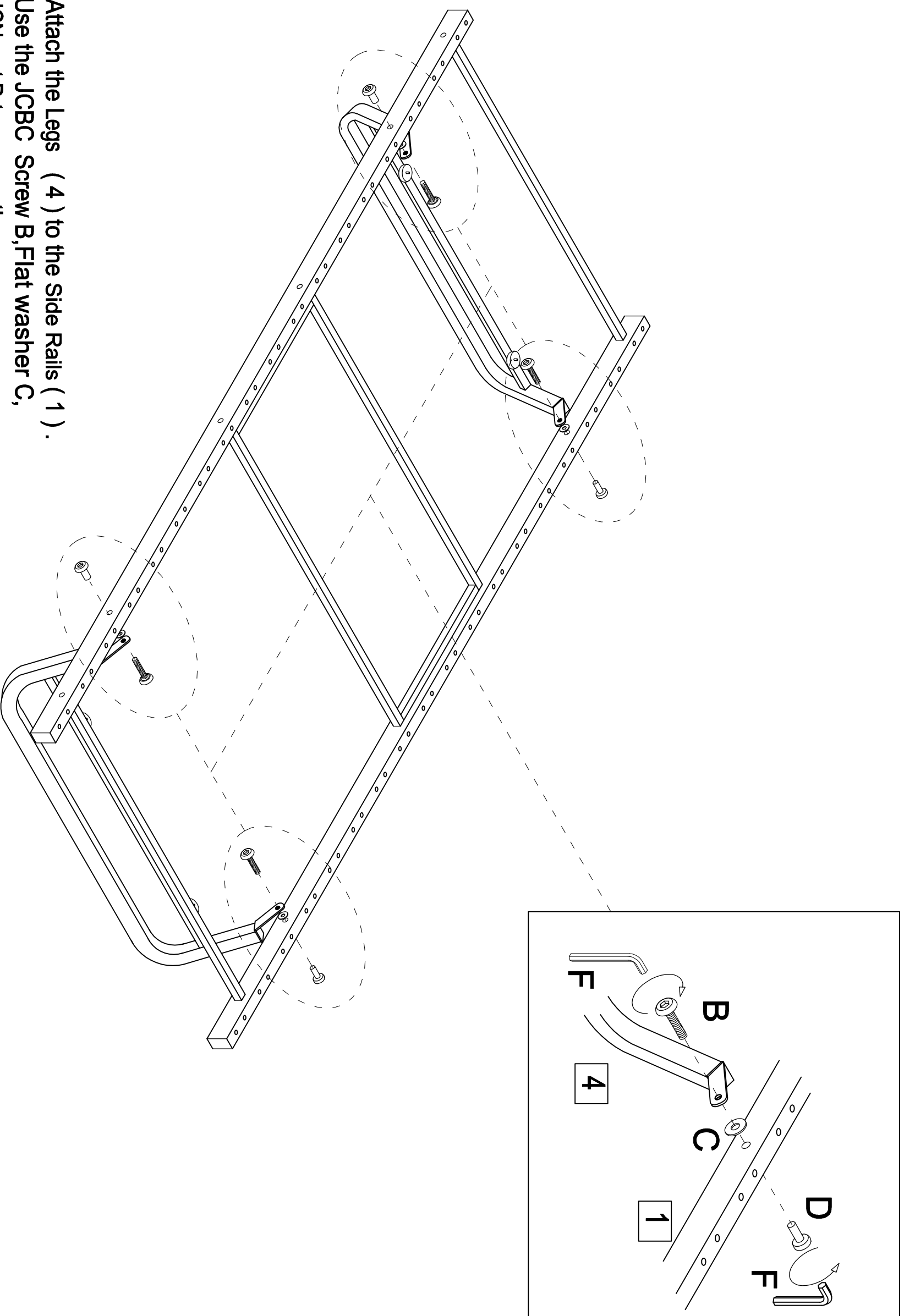
<b>A</b>		JCBC Screw (M6 x 40 mm )	8 PSC
<b>G</b>		M4 Allen key	1 PSC



Attach the Slats supporter ( 2 ) to the Side Rails ( 1 ) . Use the JCBC Screw A to secure them.

# Assembly Instructions

## Step 2- Fitting the Legs

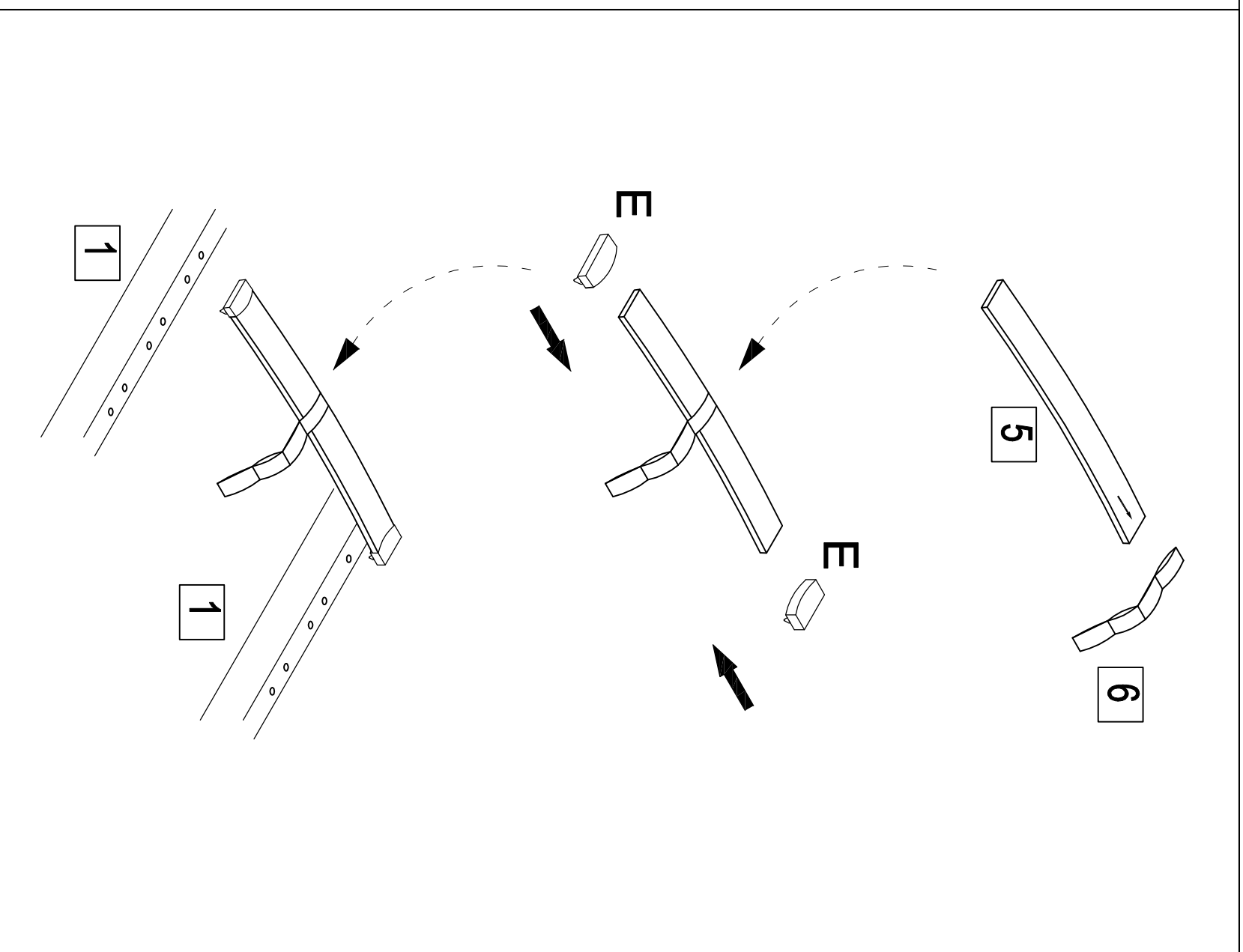
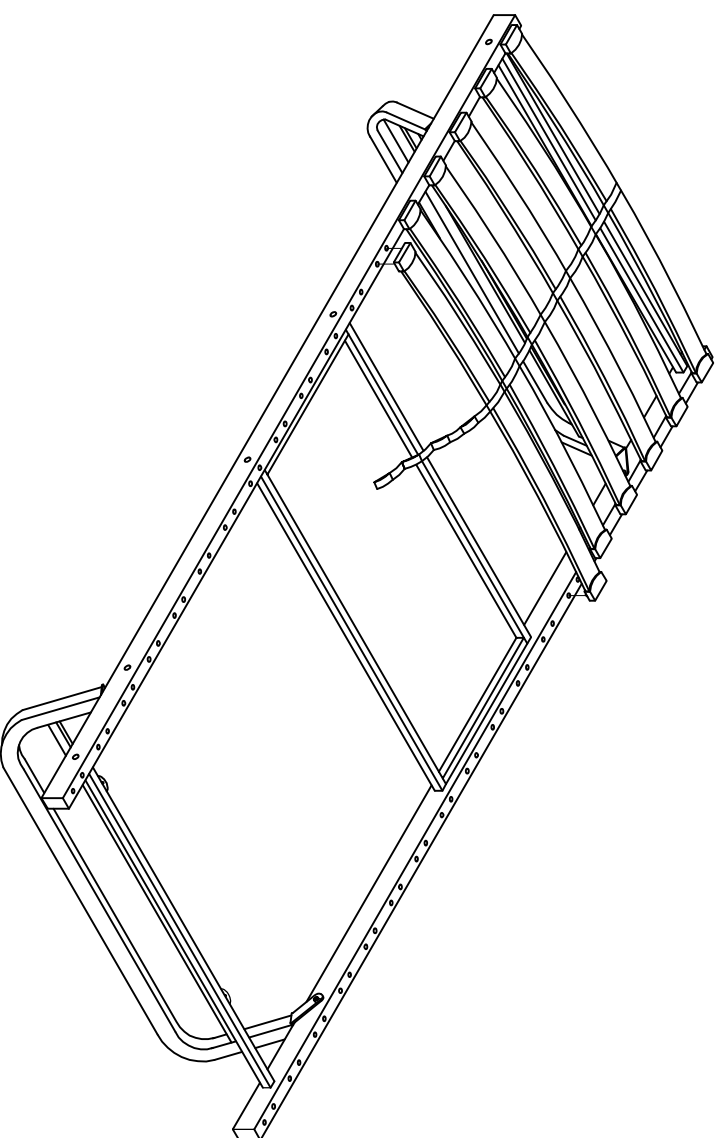


Attach the Legs ( 4 ) to the Side Rails ( 1 ) .  
Use the JCBC Screw B, Flat washer C,  
JCN nut D to secure them.

<b>B</b>		4 PSC
<b>C</b>		4 PSC
<b>D</b>		4 PSC
<b>F</b>		2 PSC

# Assembly Instructions

## Step 3- Fitting the Wood Slats , Fabric Strap



**E**  
Plastic Holder 26 PSC

Attach the Wood Slats ( 5 ) and Fabric Strap ( 6 ) to the Side Rails ( 1 ). Use the Plastic Holder E to secure them.