

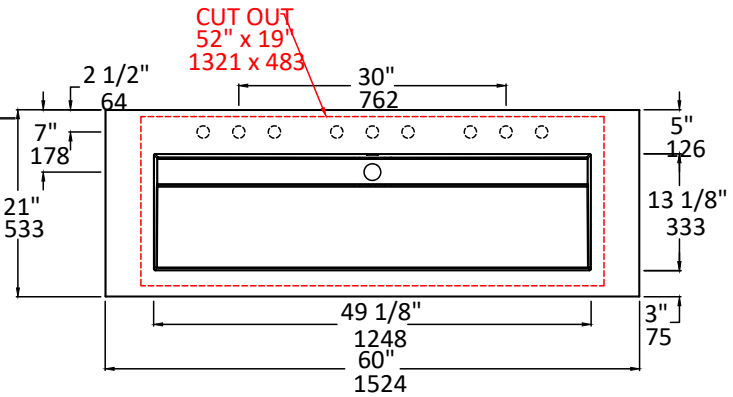
Specifications:

Installation:	direct vanity-top
Exterior Dimensions:	60" w x 21" d x 7" h
Interior Dimensions:	49 1/8" w x 13 1/8" d x 5" h
Depth to Overflow:	3"
Material:	Solid Surface
Weight:	84 lbs
Overflow:	Yes
Finishes:	001M - Matte White 001G - Gloss White
Faucet Holes:	00 - no holes 01 - 1 hole, center 02 - 2 hole, center and right, 4" spread 03 - 3 hole, 8" spread
Cutout Size:	52" x 19" (template available upon request)
Faucet Hole Size:	Ø 1 3/8"
Drain Hole Size:	Ø 1 7/8"



Features:

- Vanity-top installation, replaces countertop (vanity base should account for overhang)
- Full solid surface construction with overflow
- Decorative drain cover included (not shown)
- See technical documents for detail dimensions
- Cut-out template available upon request

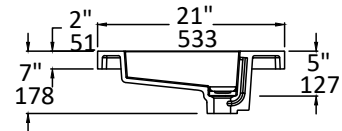
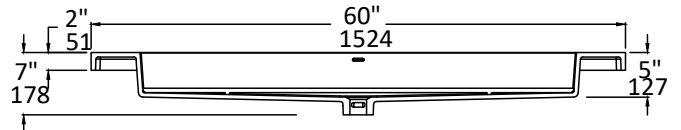


Codes + Standards:

- Meets and exceeds applicable national codes and standards

Recommended Items:

- KUB-W-60B - wall mount vanity with options
- BKS - 6" backsplash in matching finish(es)
- 7100- 180F - American grid drain with overflow



Care + Maintenance:

- To prevent damage to the solid surface material, hot objects and open flame should not be placed in direct contact with the surface

[Click Here](#) to find out more about proper care and maintenance