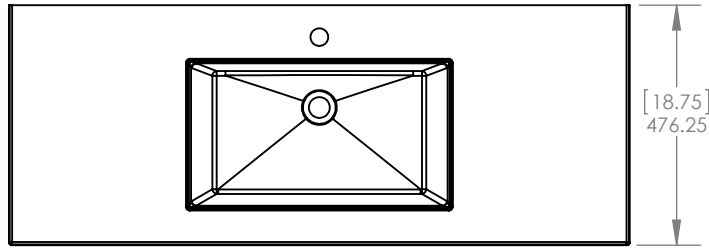
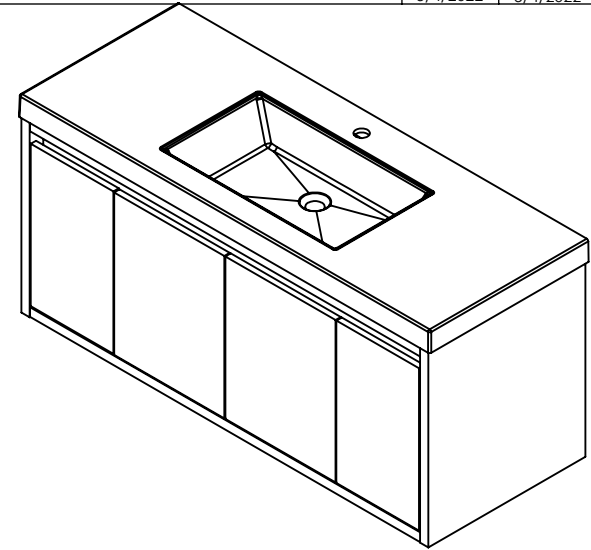


CABINET ID	DESCRIPTION
EC2248C038-SB	48in Vanity - Sable

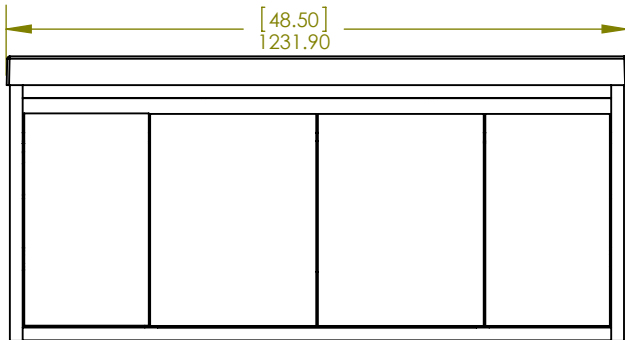
REV	ECO#	DESCRIPTION	REV'D BY DATE	CHK'D BY DATE	APRV'D BY DATE
0		RELEASE	RHG 5/4/2022	RHG 5/4/2022	RHG 5/4/2022



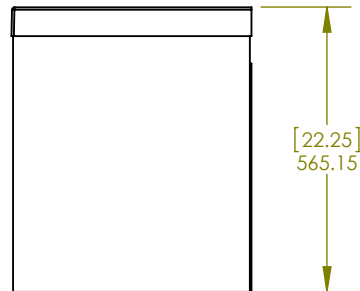
Top View / Vista Superior



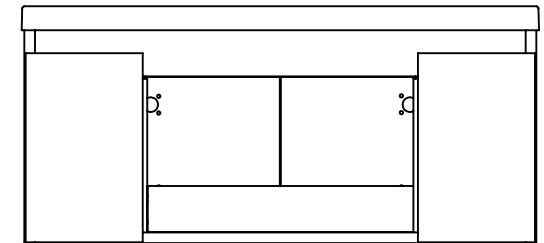
Isometric View / Vista Isometrica



Front view / Vista Frontal



Side View / Vista Lateral



Back View / Vista Trasera

**PROPRIETARY AND CONFIDENTIAL**  
 THE INFORMATION CONTAINED IN THIS DRAWING IS THE SOLE PROPERTY OF WOODCRAFTERS HOME PRODUCTS L.L.C. ANY REPRODUCTION IN PART OR AS A WHOLE, WITHOUT THE WRITTEN PERMISSION OF WOODCRAFTERS HOME PRODUCTS L.L.C. IS PROHIBITED.

Tolerancia no epsecificada

Lineal  
±0.5mm

Angular  
±0.5°

Drawn By / Dibujado por:	Adolfo Gallegos	5/4/2022
Checked By / Revisado Por:	Karina Navarro	5/4/2022
Approved By / Revisado Por:	Eduardo Cisneros	5/4/2022

Cabinet Name/Nombre de Gabinete:  
48in Vanity w/White

FG ID:

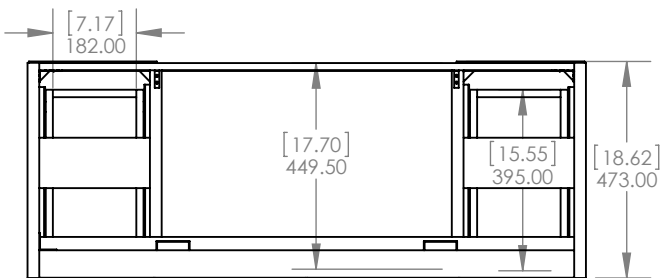
# of Drawing/ de Dibujo:

PAGE 1 OF 1

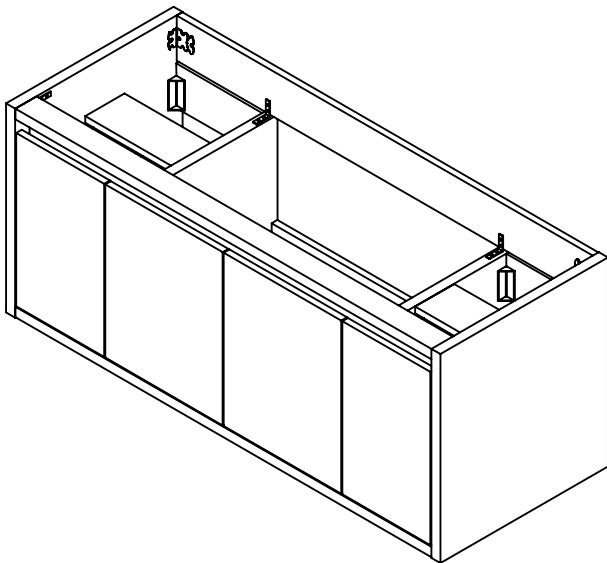
REV: 0

6	5	4
Item ID	DESCRIPTION	
EC2248C038-SB	48in Vanity - Sable	

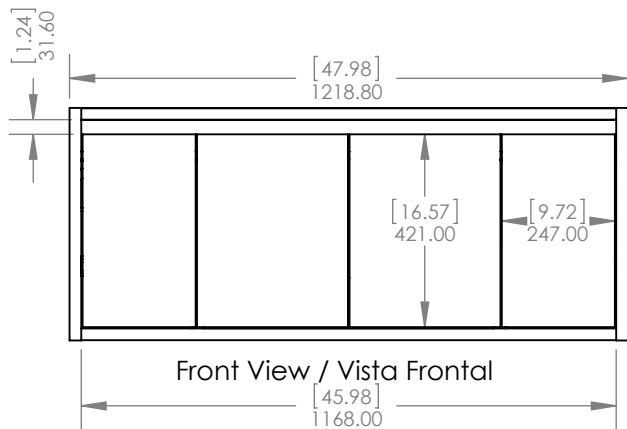
3	2	1			
REV	ECO#	DESCRIPTION	REV'D BY DATE	CHK'D BY DATE	APRV'D BY DATE
0					



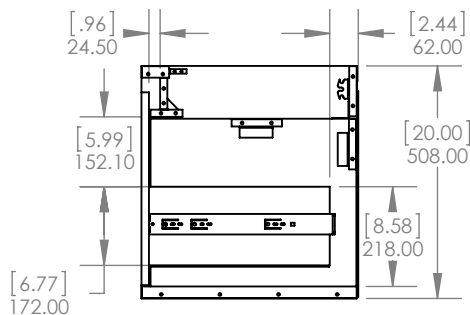
Top View / Vista Superior



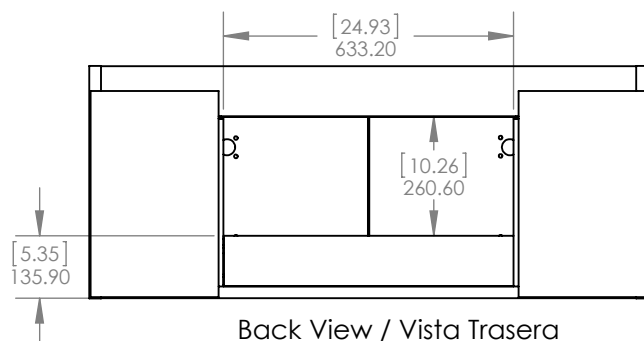
Isometric View / Vista Isometrica



Front View / Vista Frontal



Side View / Vista Lateral



Back View / Vista Trasera



**PROPRIETARY AND CONFIDENTIAL**  
 THE INFORMATION CONTAINED IN THIS DRAWING IS THE SOLE PROPERTY OF WOODCRAFTERS HOME PRODUCTS L.L.C. ANY REPRODUCTION IN PART OR AS A WHOLE, WITHOUT THE WRITTEN PERMISSION OF WOODCRAFTERS HOME PRODUCTS L.L.C. IS PROHIBITED.

GEOMETRIC TOLERANCES PER:  
 ASME-Y14.5-94

Lineal ±0.5mm  
 Angular ±0.5°

Drawn By /  
 Dibujado por:  
 Checked By /  
 Revisado Por:  
 Approved By /  
 Revisado Por:

Mario Garcia 5/30/2022  
 Mario Garcia 5/30/2022  
 Mario Garcia 5/30/2022

TITLE Titulo:  
**48in Vanity**

# of Drawing/ de Dibujo:

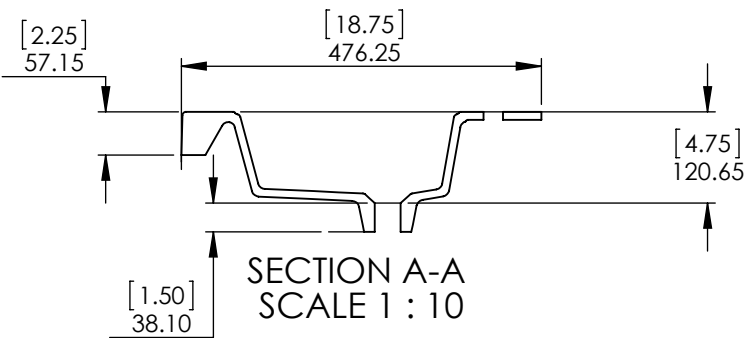
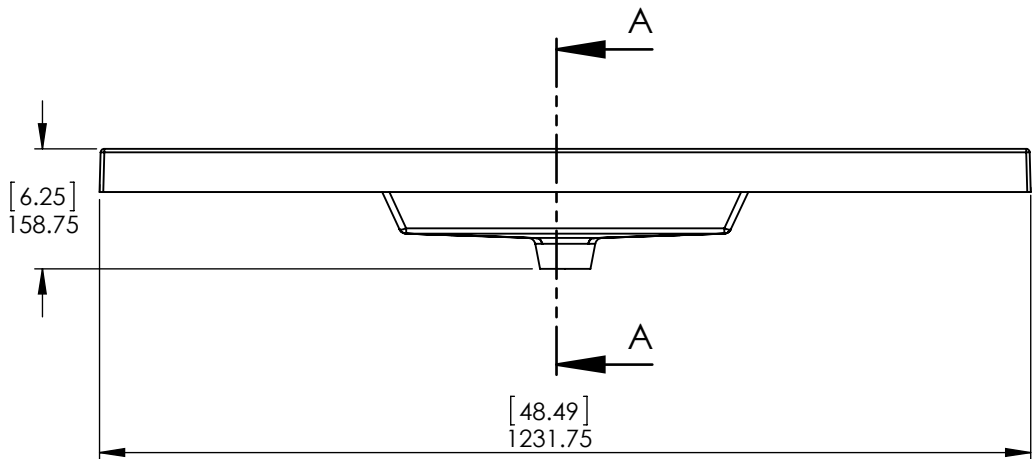
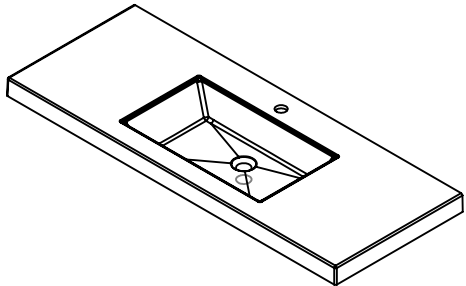
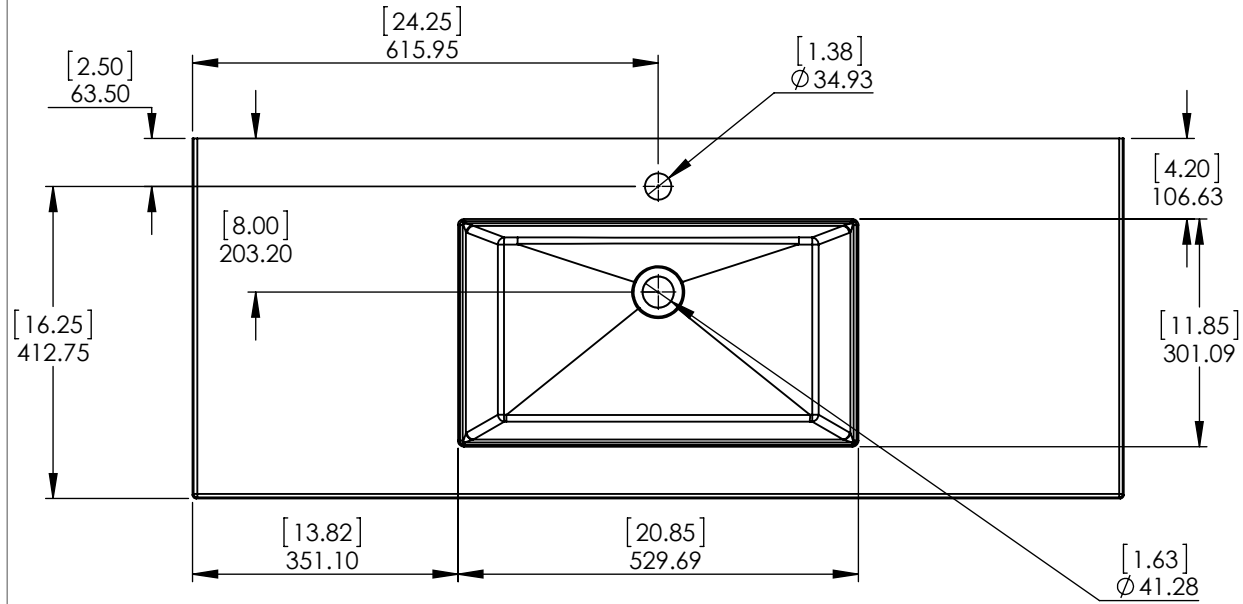
Material:  
**PB. & Plywd.**

PAGE 1 OF 1

REV: **2**

ID	Description	Technology	Status
595689	Vtop Oslo 48.5x18.75 white Single hole	Solid White	Approved for production

Rev #	Approved by	Change
0	E. Delgado	Released



NOTE: MAX. WARPAGE  
TOLERANCE 1/8"

**PROPRIETARY AND CONFIDENTIAL**  
THE INFORMATION CONTAINED IN THIS DRAWING IS THE  
SOLE PROPERTY OF WOODCRAFTERS. ANY  
REPRODUCTION IN PART OR AS A WHOLE WITHOUT THE  
WRITTEN PERMISSION OF WOODCRAFTERS IS PROHIBITED.

UNLESS OTHERWISE SPECIFIED  
DIMENSIONS ARE IN MM.  
AND (INCHES)  
TOLERANCES ARE  
+0.125 [3.175] -0.125 [-3.175]  
SCALE:1:12

	NAME	DATE
DRAWN	E. Delgado	08/19/19
CHECKED	R. Rubio	08/19/19
ENG APPR.	R. Rubio	08/19/19
MFG APPR.	A. Casiano	08/19/19

SIZE	DWG. NO.	SHEET 1 OF 1
A	Vtop Oslo 48.5x18.75 Single hole	REV: 0