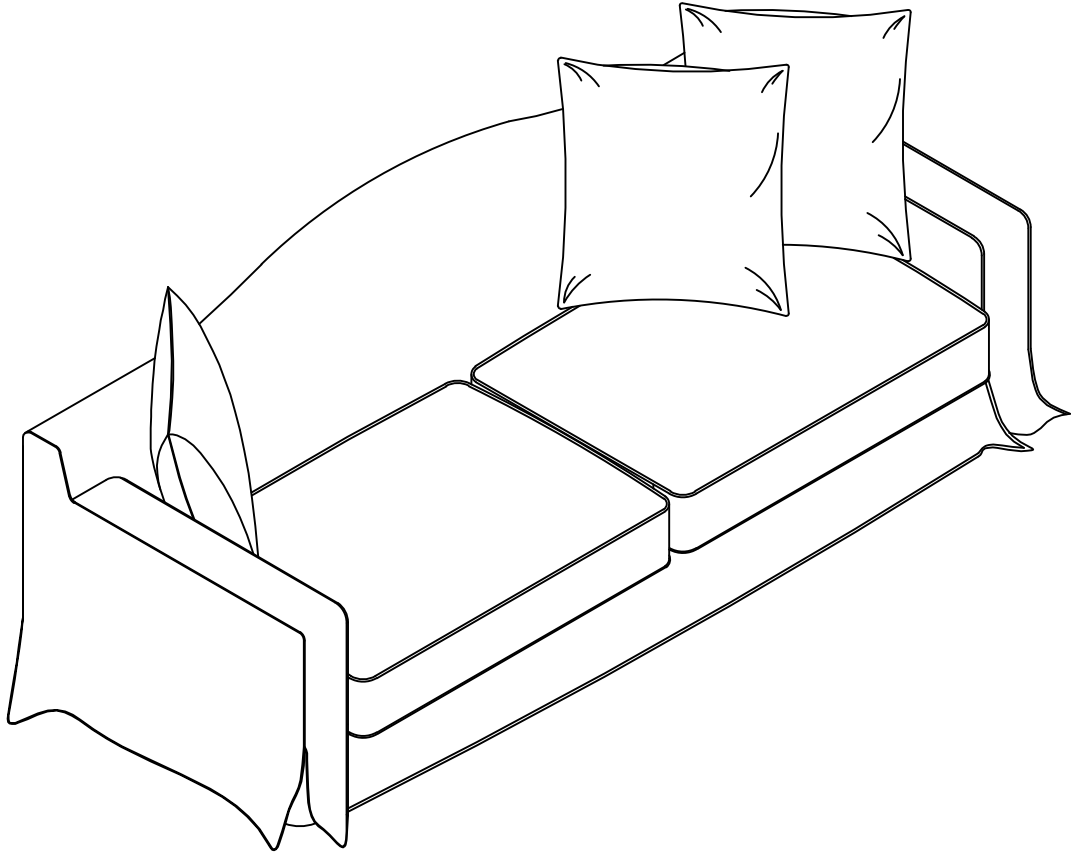
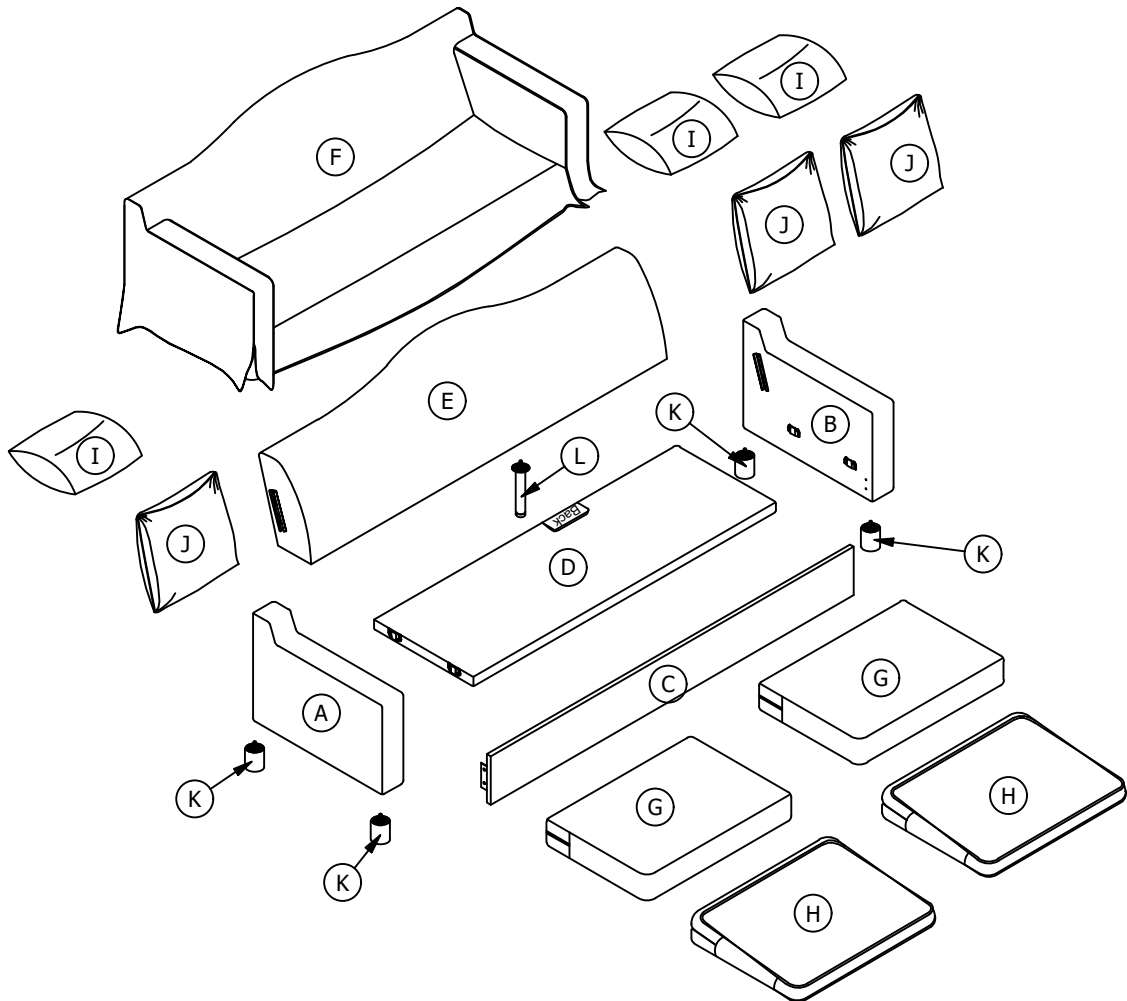


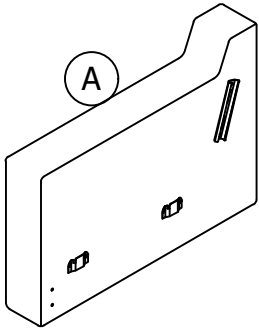
Assembly Instruction



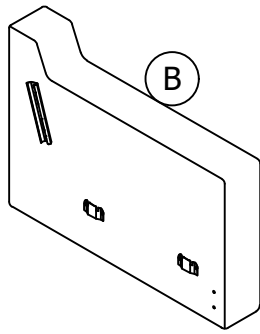
PARTS



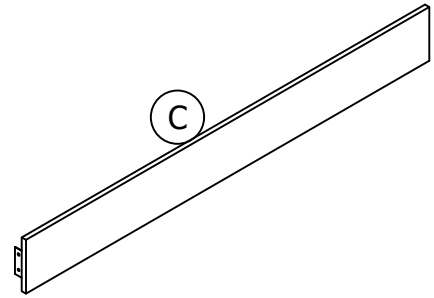
PARTS LIST



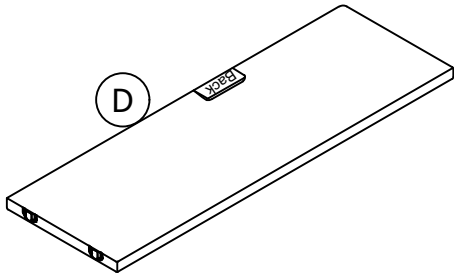
Left Armrest X 1 PC



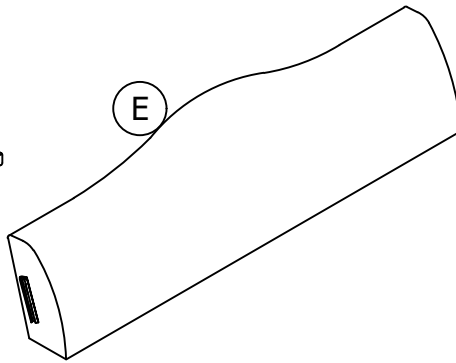
Right Armrest X 1 PC



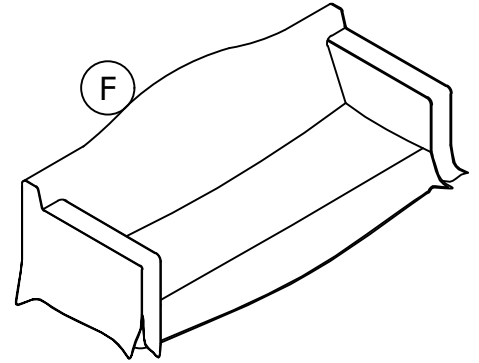
Front Rail X 1 PC



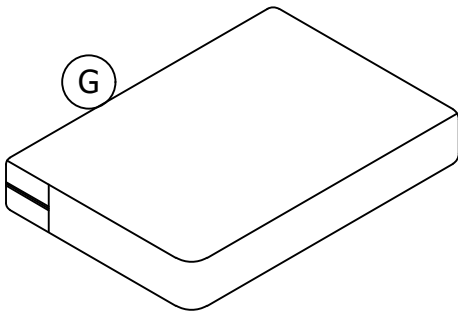
Seat Panel X 1 PC



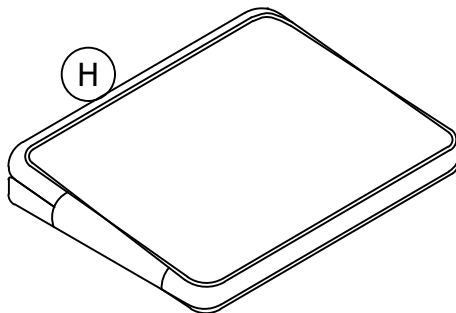
Back X 1 PC



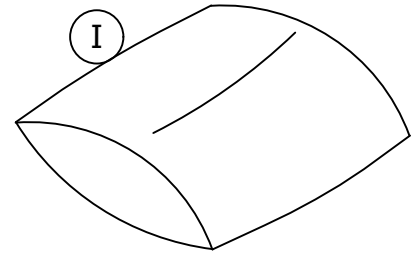
Sofa Slipcover X 1 PC



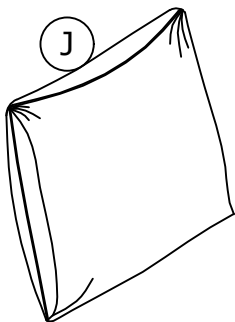
Seat Cushion X 2 PCS



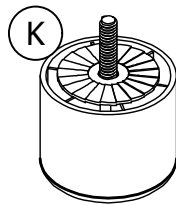
Seat Slipcover X 2 PCS



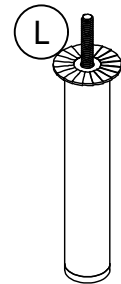
Pillow X 3 PCS



Pillow Slipcover X 3 PCS

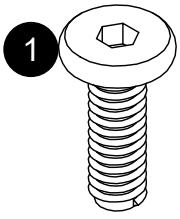


Leg X 4 PCS

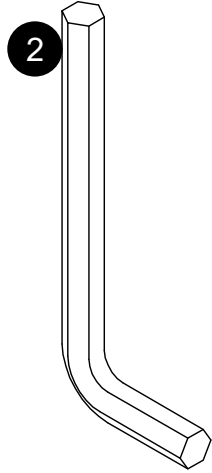


Support Leg X 1 PC

HARDWARE



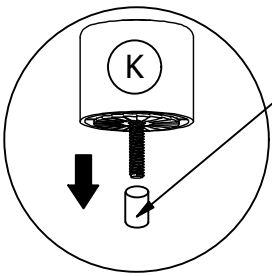
1
Bolts 5/16" X 23mm
X 5




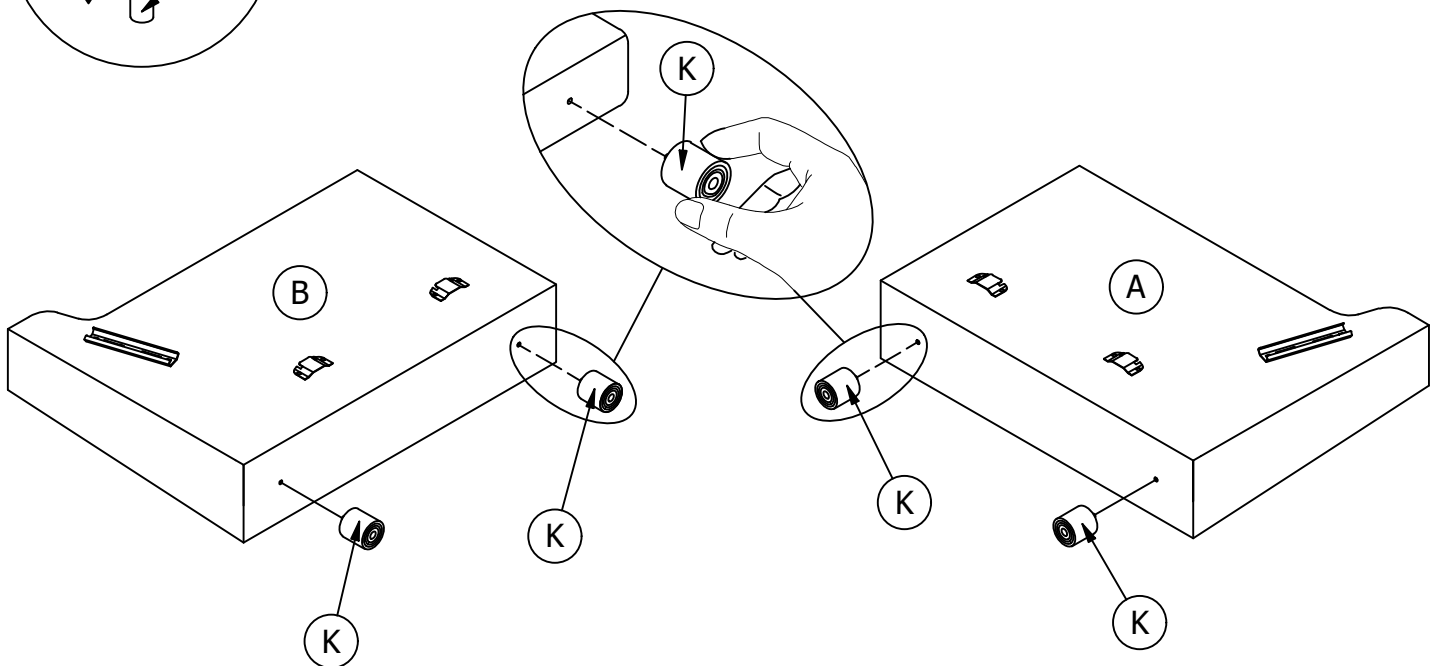
2
Allen Key 5mm
X 1

Place all parts on a clean, smooth surface.

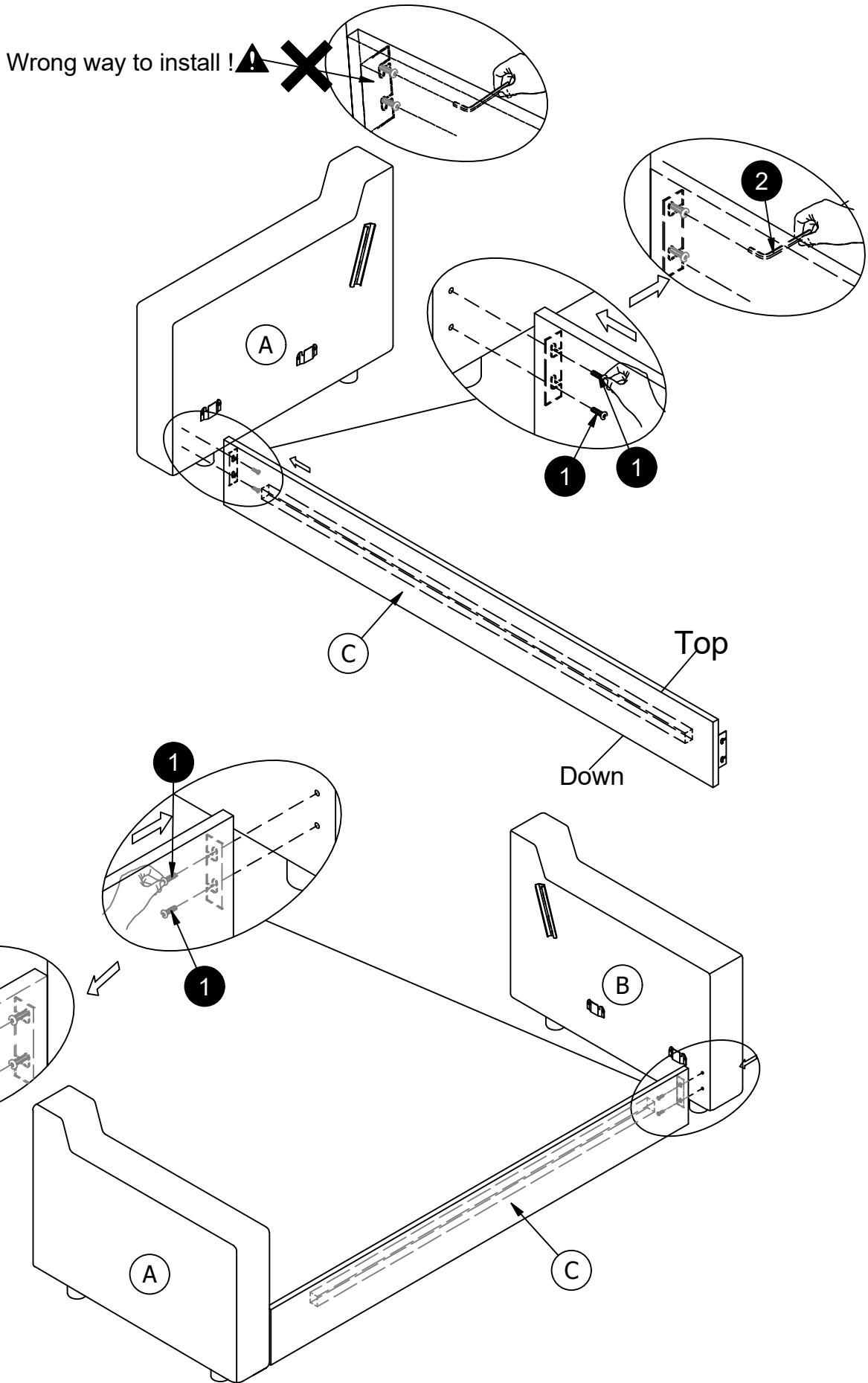
STEP 1: Manually screw Legs **K** x 4 to Armrest **A** & **B**, as shown.



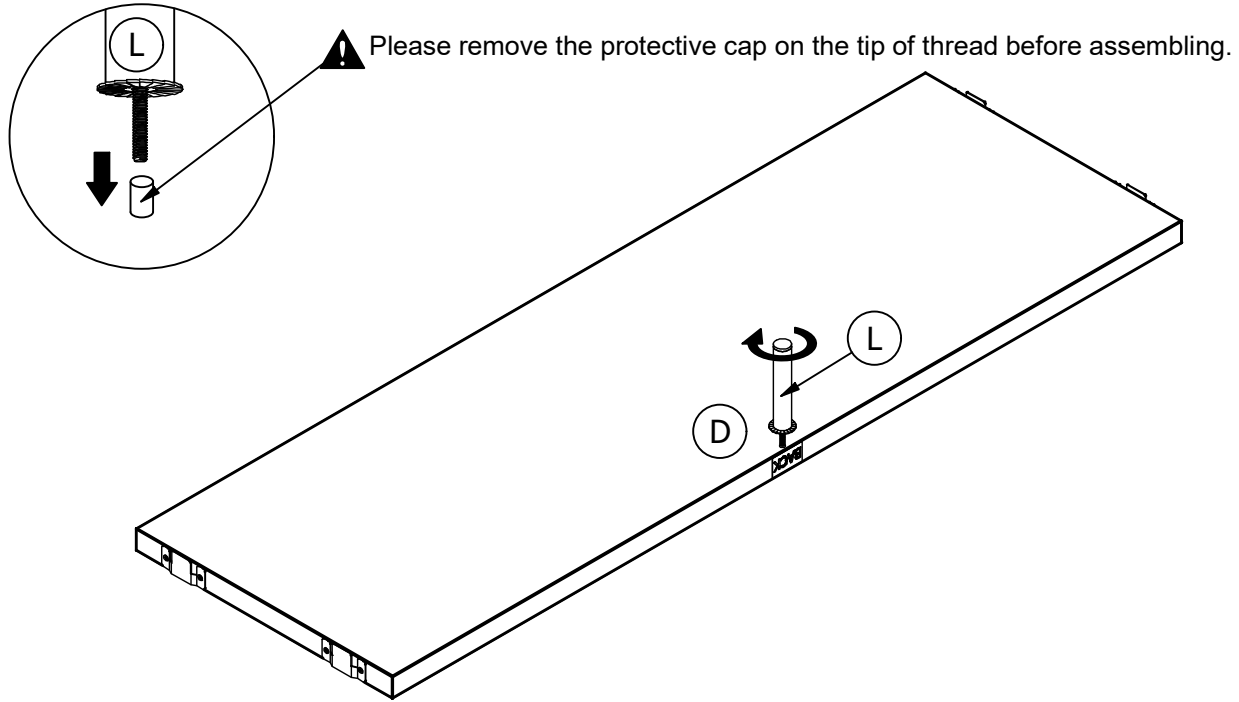
 Please remove the protective cap on the tip of thread before assembling.



STEP 2: Attach Front Rail **C** to Armrest **A** & **B** with Bolt **1**, as shown.



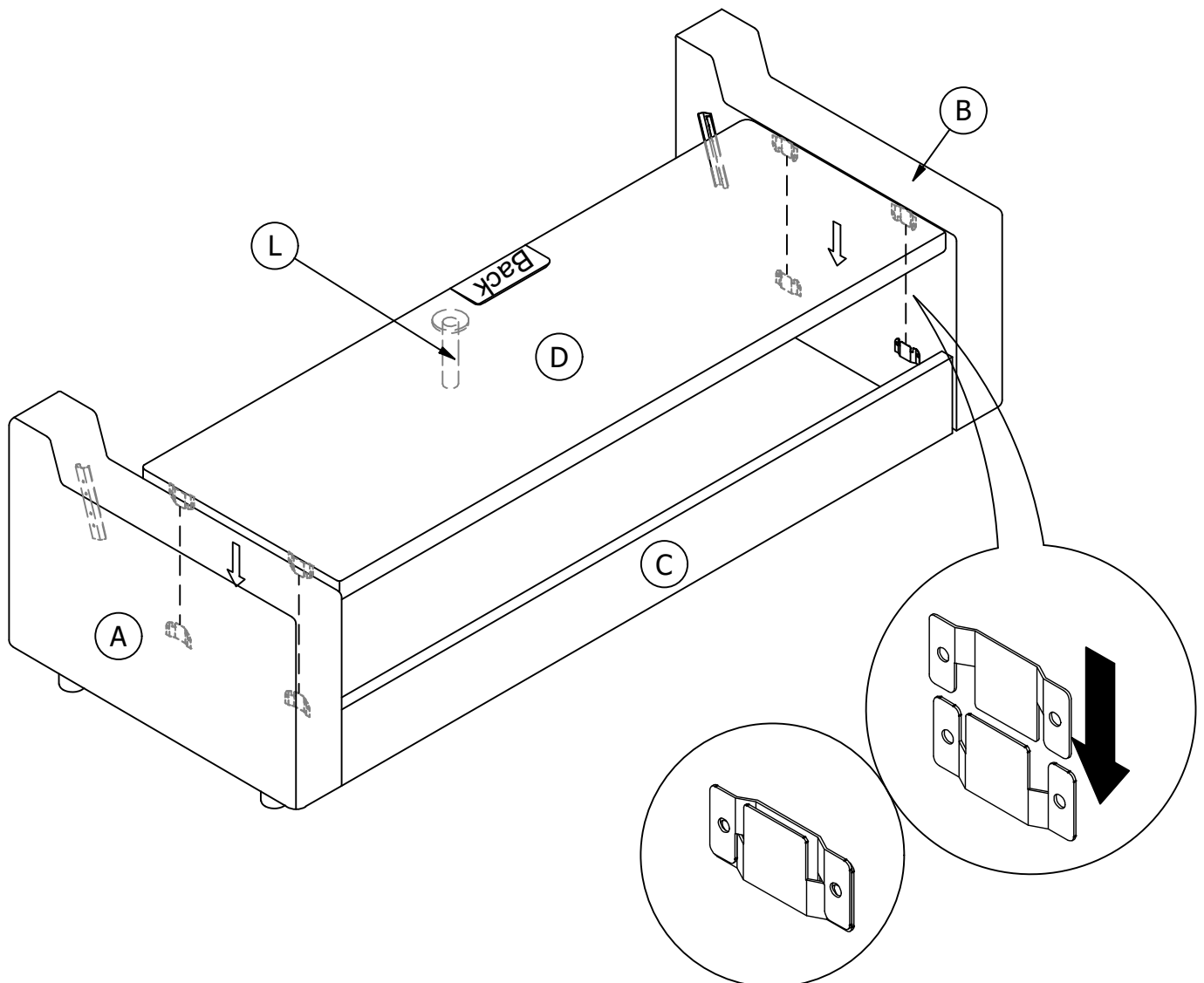
STEP 3: Manually screw Support Leg **L** to Seat Panel **D**, as shown.



STEP 4:

Attach Seat Panel **D** to Armrest **A** & **B** by inserting the metal brackets on Seat Panel **D** into the metal glides on Armrest **A** & **B**, as shown.

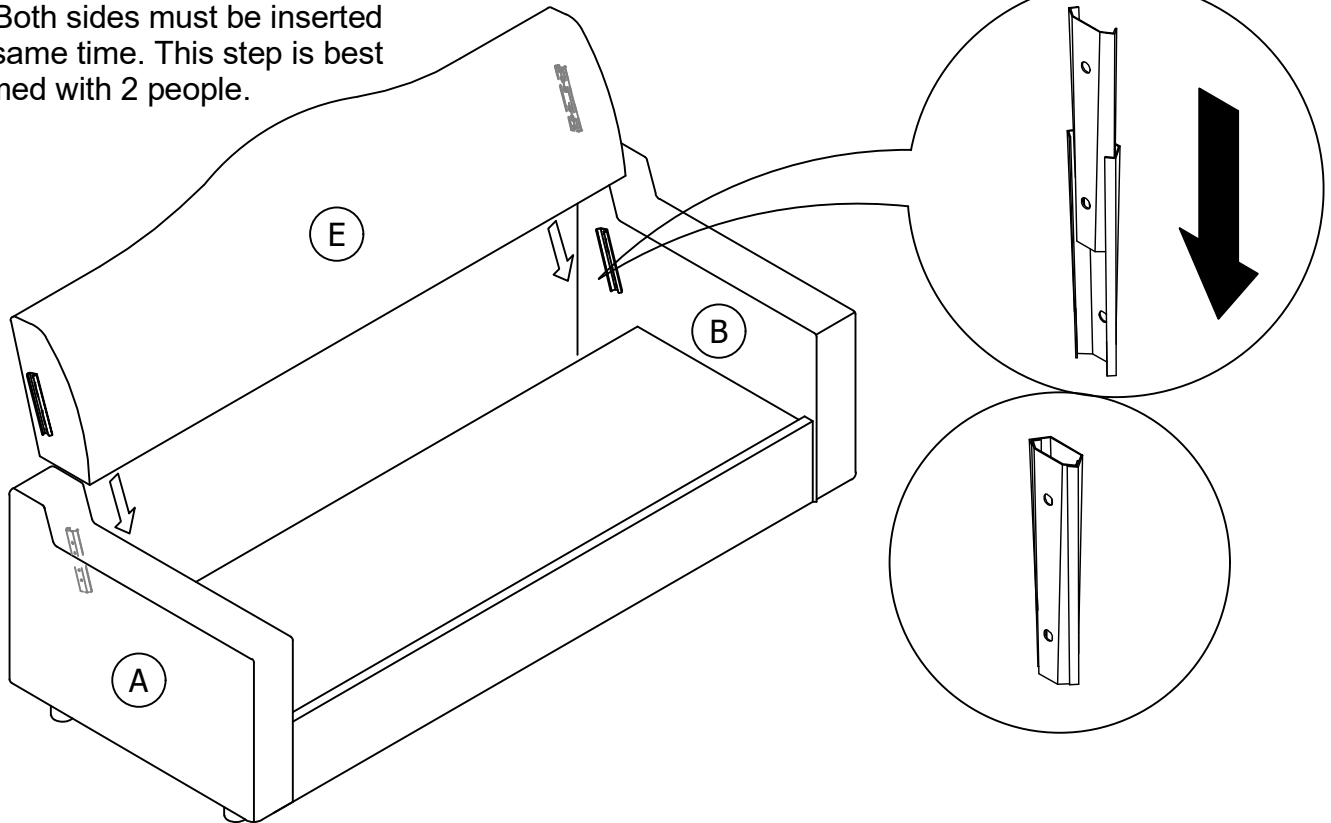
Push Seat Panel **D** with a downward force to secure it into place.



STEP 5:

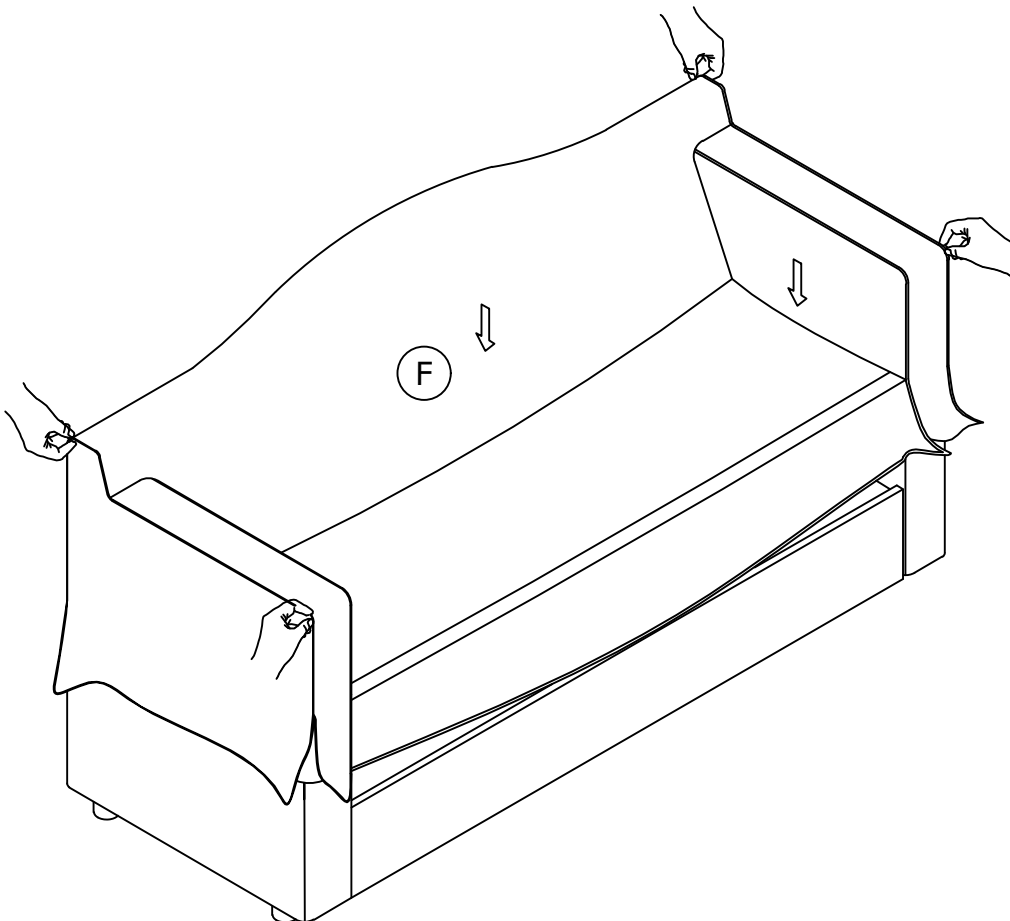
Attach Back **E** to Armrest **A** & **B** by inserting the brackets on Back **E** into the metal glides on Armrest **A** & **B**. Push Back **E** with a downward force to secure it into place.

Note: Both sides must be inserted at the same time. This step is best performed with 2 people.



STEP 6: Put the sofa slipcover **F** on the sofa.

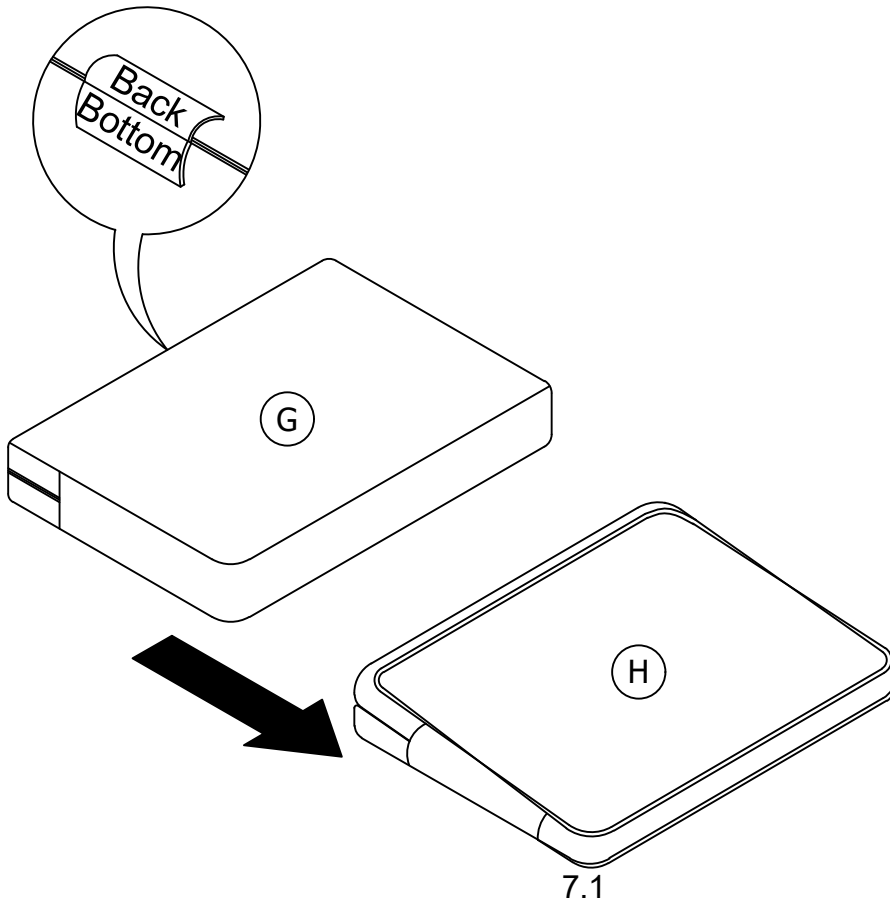
Note: If necessary, iron the fabric cover with a steam iron to loosen wrinkles.



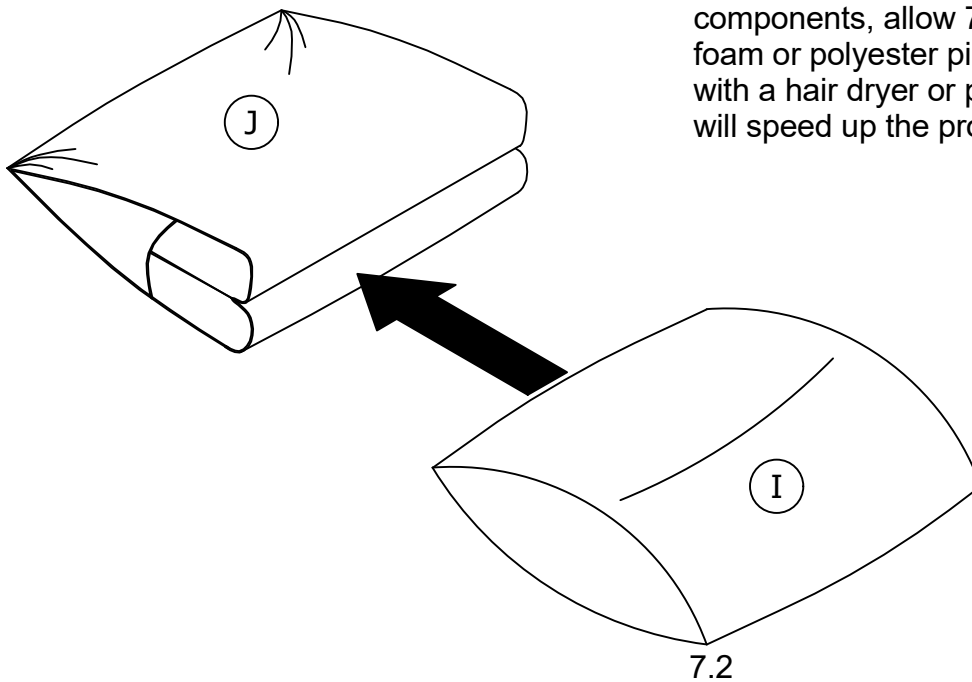
Step 7: Remove the cushions from their vacuum sealed package.

7.1 Open the zipper on Seat Slipcover **H** and insert Seat Cushion **G** x 2 into Seat Slipcover **H** x 2 following the orientation as indicated in left view, close the zipper.

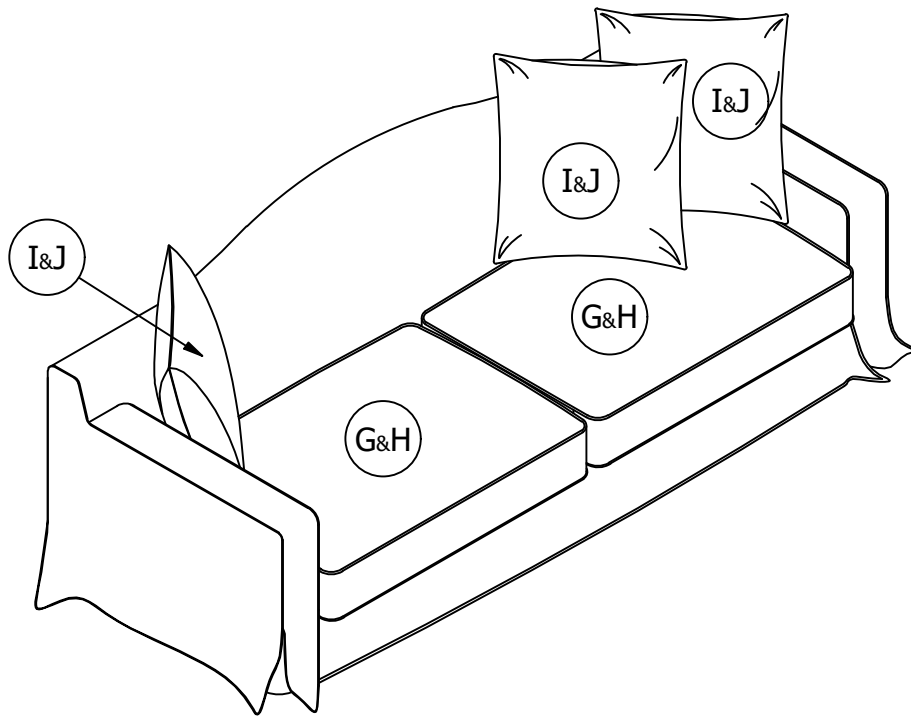
7.2 Open the zipper on Pillow Slipcover **J** and insert Pillow **I** x 3 into Pillow Slipcover **J** x 3, close the zipper.



NOTE: If necessary, iron the fabric cover with a steam iron to loosen wrinkles. After unpacking all components, allow 72 hours for the compressed foam or polyester pillow fill to spring back. Blowing with a hair dryer or patting the mat with your hands will speed up the process.



Step 8: Place Seat Cushion (G & H) x 2 and Pillow (I & J) x 3 onto the sofa.



Helpful Hints

- Move your new furniture carefully, with two people lifting and carrying the unit to its new location.
- Your furniture can be disassembled and reassembled to move.
- Clean the product with a soft damp cloth. DO NOT use harsh chemicals or abrasive cleaners.
- For further information please contact at sales4@jsanyee.com

