



10'X10'/9'X11'

SKU:LPBD0165/LPBD0168

PATIO UMBRELLA

Assembly and Operation Manual

OVERCAST SERIES


***T**hank you for your purchase of
Overcast Series*

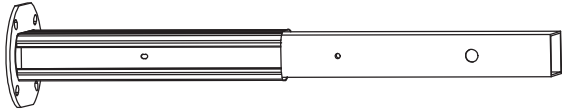
Read and follow this assembly and operation guide.

*To reduce personal injury and damage to your umbrella,
Please **close** your umbrella when it is incoming over **30 mph** wind.
We recommend a **two-person team** for assembly and disassembly.*

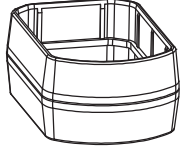
*If you like our products, please tell other customers
If you have problem with our products, please tell us*

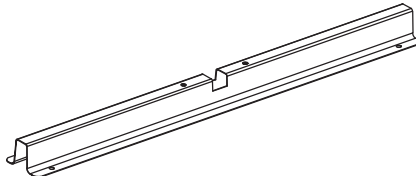
Please feel free to contact us.

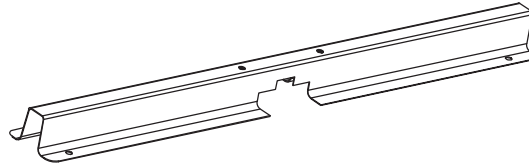
| | | |
|---|---|----|
| A |  <p data-bbox="423 231 728 268">Cantilevered Canopy</p> | 1X |
|---|---|----|

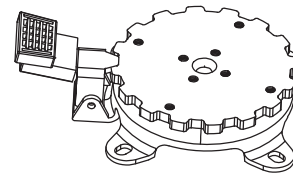
| | | |
|---|---|----|
| B |  <p data-bbox="1579 231 1736 268">Base Tube</p> | 1X |
|---|---|----|

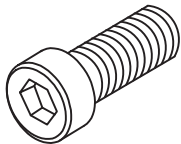
| | | |
|---|---|----|
| C |  <p data-bbox="492 494 660 531">Base Cover</p> | 1X |
|---|---|----|

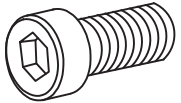
| | | |
|---|--|----|
| D |  <p data-bbox="1500 494 1803 531">Base Tube Connector</p> | 1X |
|---|--|----|


| | | |
|---|---|----|
| E |  <p data-bbox="470 758 683 794">Cross Base Bar</p> | 1X |
|---|---|----|

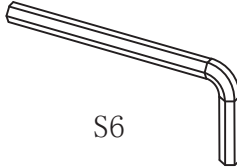
| | | |
|---|---|----|
| F |  <p data-bbox="1545 758 1758 794">Cross Base Bar</p> | 1X |
|---|---|----|

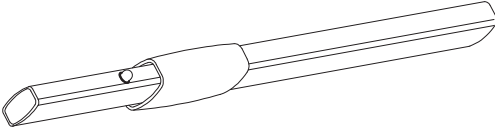
| | | |
|---|--|----|
| G |  <p data-bbox="504 1021 660 1058">Foot Pedal</p> | 1X |
|---|--|----|

| | | |
|---|--|----|
| H |  <p data-bbox="1556 1021 1747 1058">M8*20 Bolts</p> | 4X |
|---|--|----|

| | | |
|---|--|----|
| J |  <p data-bbox="481 1276 672 1313">M8*14 Bolts</p> | 4X |
|---|--|----|

| | | |
|---|--|----|
| K |  <p data-bbox="1568 1276 1747 1313">Flat Washer</p> | 8X |
|---|--|----|

| | | |
|---|--|----|
| L |  <p data-bbox="481 1460 672 1556">S6 Allen Wrench</p> | 1X |
|---|--|----|

| | | |
|---|---|----|
| M |  <p data-bbox="1433 1516 1881 1556">Corner Canopy Connect Tube</p> | 4X |
|---|---|----|

Important

Prior to assembly, it is important to choose the location of the umbrella.

- We recommend a **two-person team** for assembly and disassembly.
- Allow **ample height** to avoid damage to your umbrella during assembly and usage.
- Choose a location that is **level and sturdy**.
- Consider a location that will maximize the umbrella's rotating swivel function. Placing the umbrella **between two entertaining areas is ideal**.
- To avoid personal injury or damage to the umbrella, make sure the **area** around you is **clear** from any outdoor structure or furniture.
- **Keep all the flame and heat sources away** from this umbrella.

STORAGE: Properly store the umbrella when not in use. Close the umbrella, fasten the strap around the canopy and cover the umbrella with a protective cover.

NOTE: DO NOT discard any packaging or box until assembly is complete.

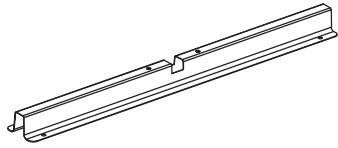
CAUTION:

Moving the umbrella when it is fully open will increase the risk of damage to your umbrella or will cause serious injury.

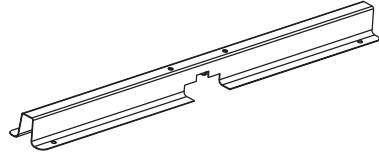
ATTENTION:

Please remove the protective film prior to use

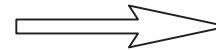
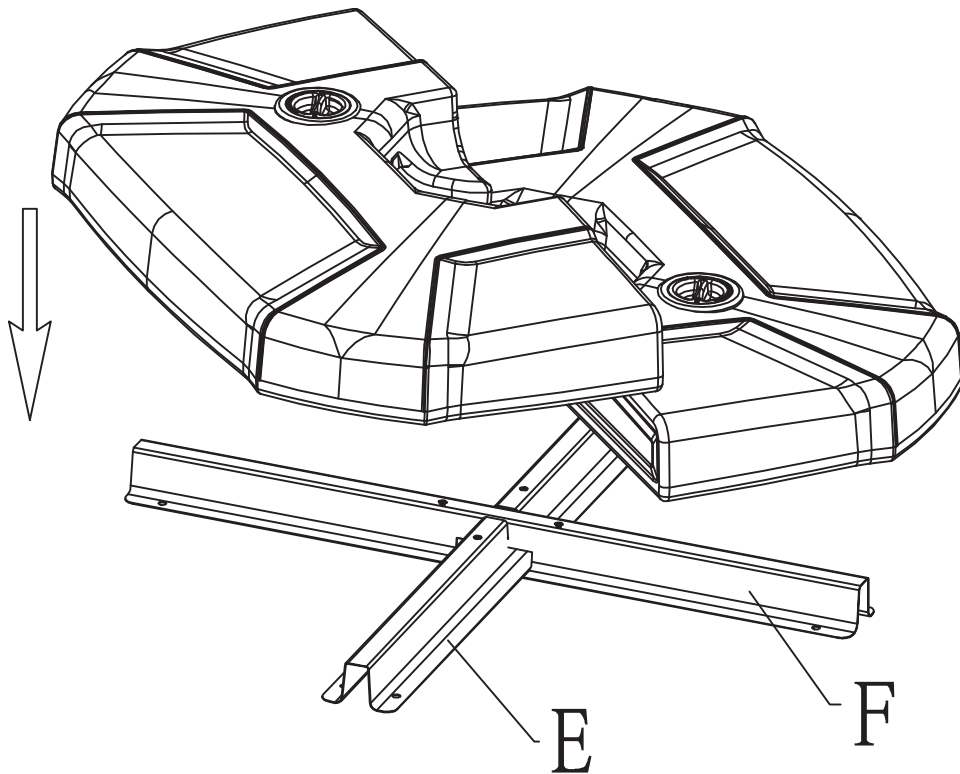
Base Tube Assembly



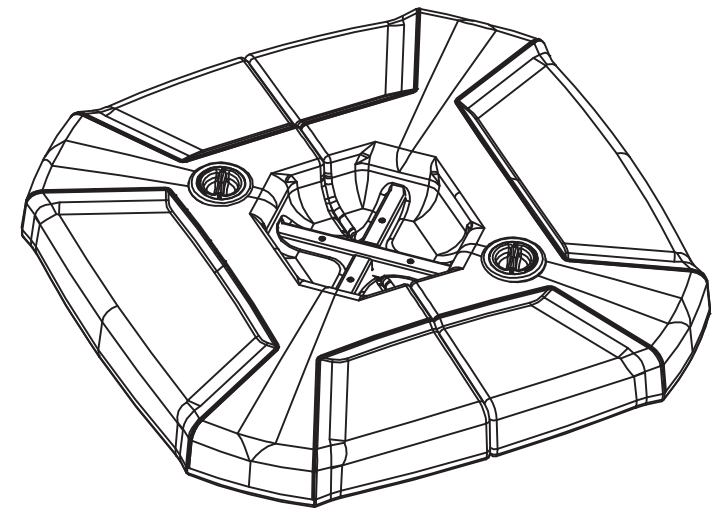
E 1X



F 1X

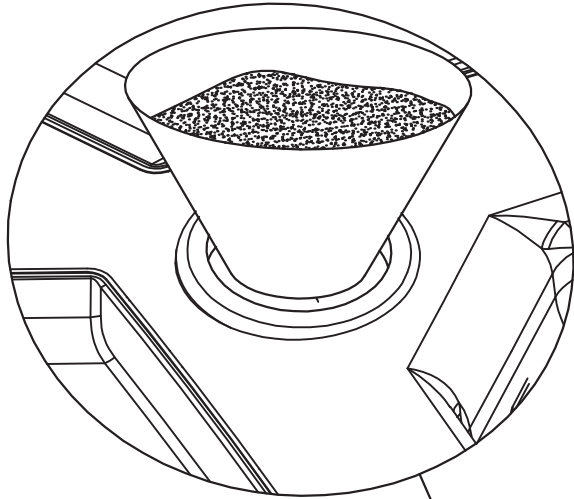


Option 1: **Water Tank Base**
(Sold Separately)

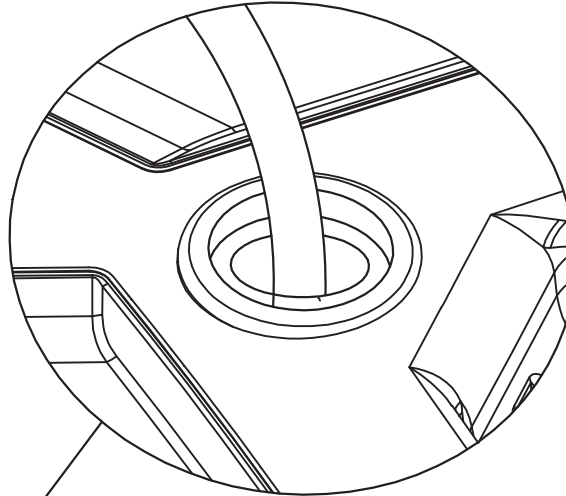


Base Tube Assembly

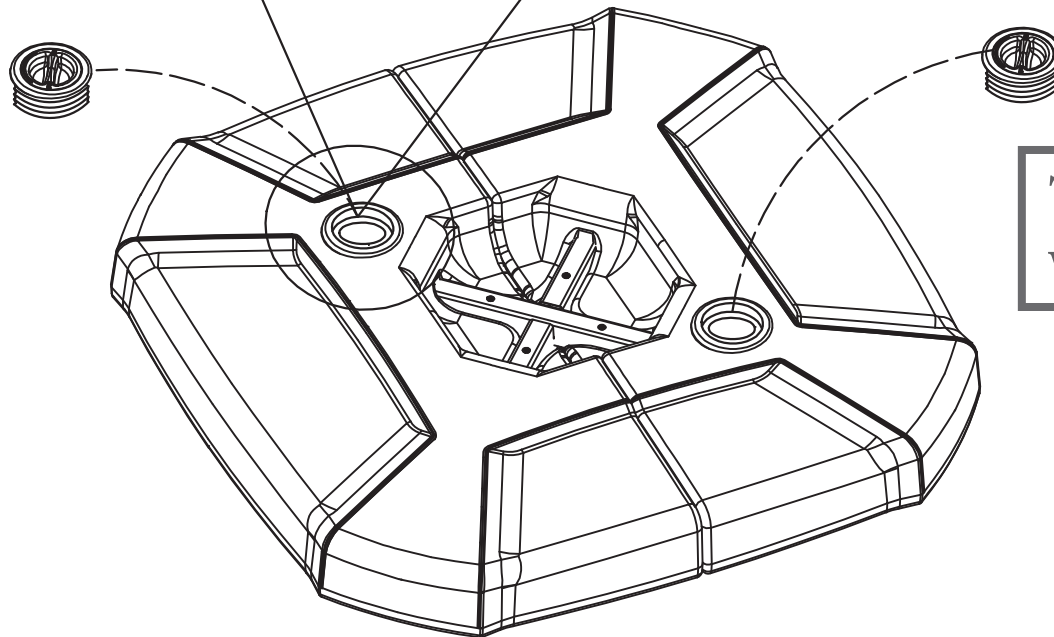
Sand



Water

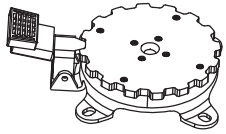


or

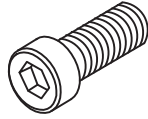


The umbrella base can be filled with both water and sand.

Foot Pedal Assembly



G 1X



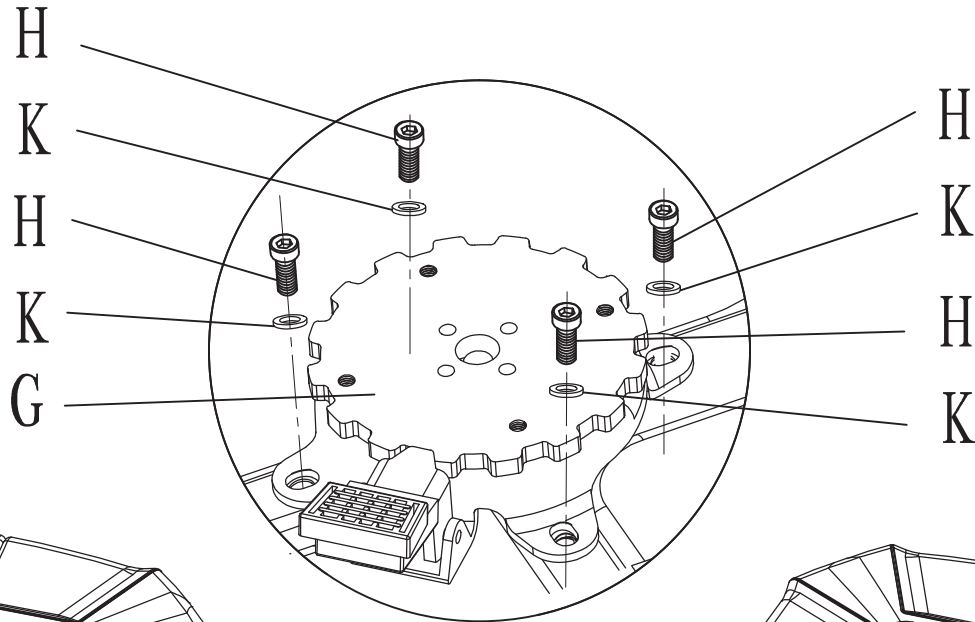
M8*20
H 4X



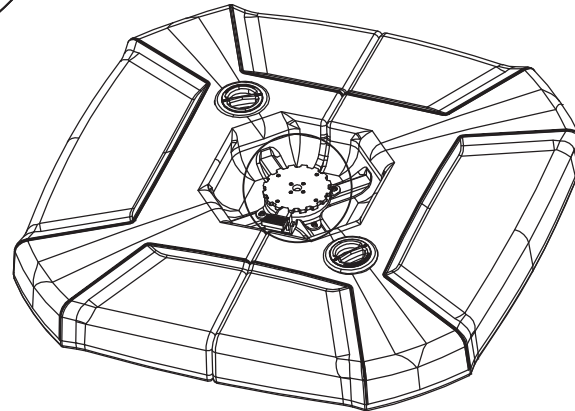
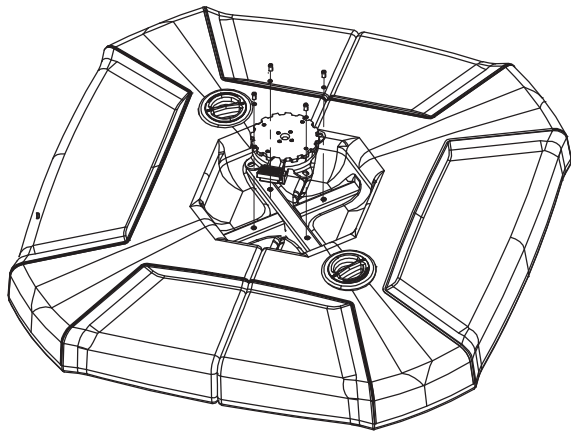
K 4X



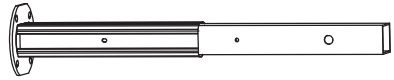
L 1X



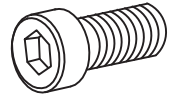
Notice: Please use LONGER bolts (M8*20) at this location.



Base Tube Assembly



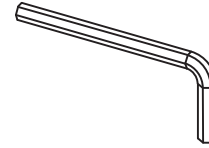
B 1X



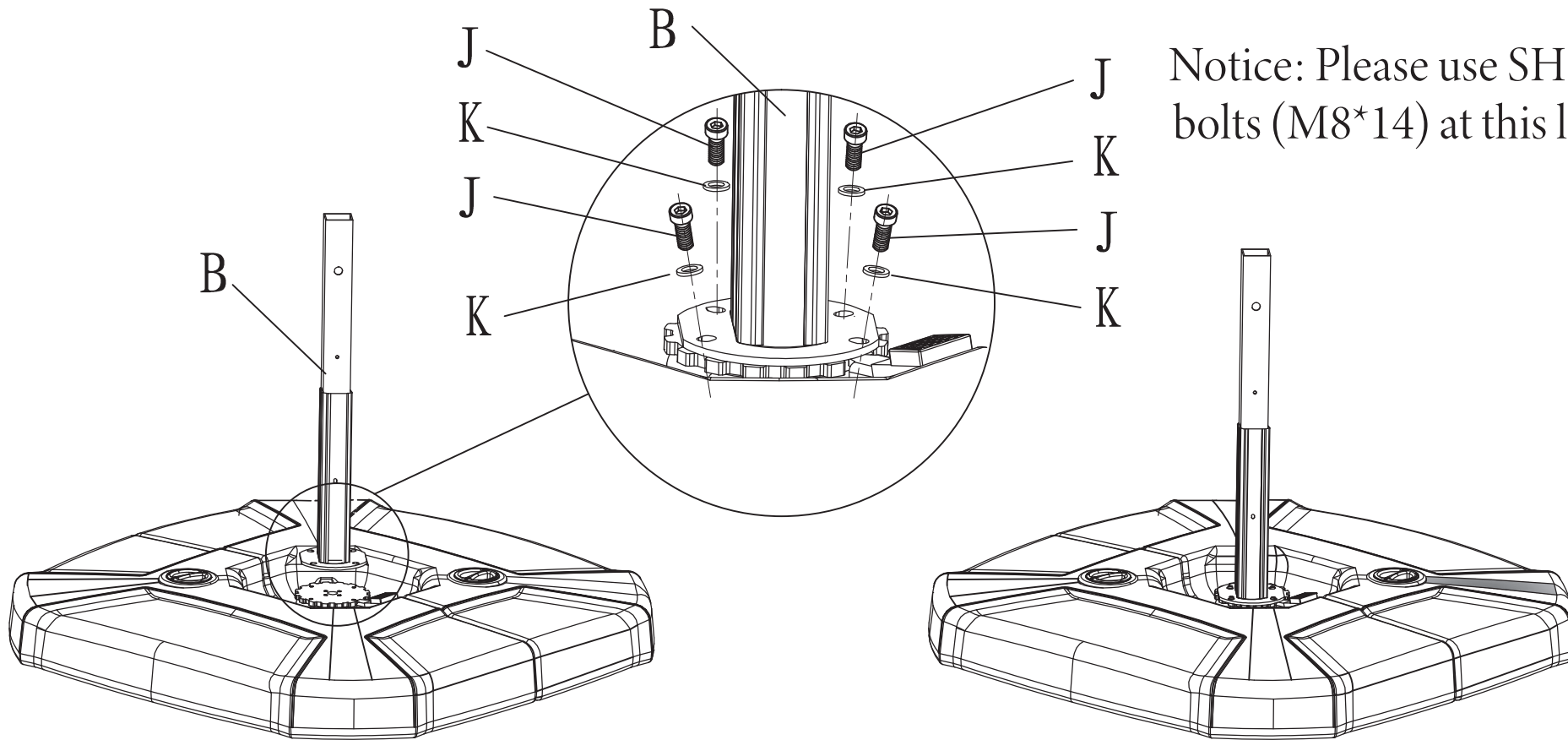
M8*14
J 4X



K 4X

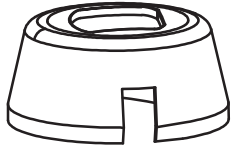


L 1X

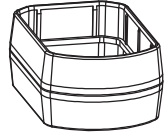


Notice: Please use SHORTER bolts (M8*14) at this location.

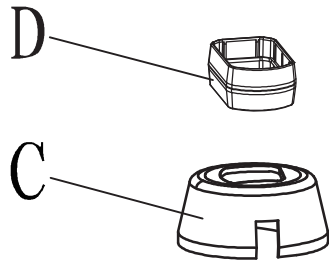
Base Cover Assembly



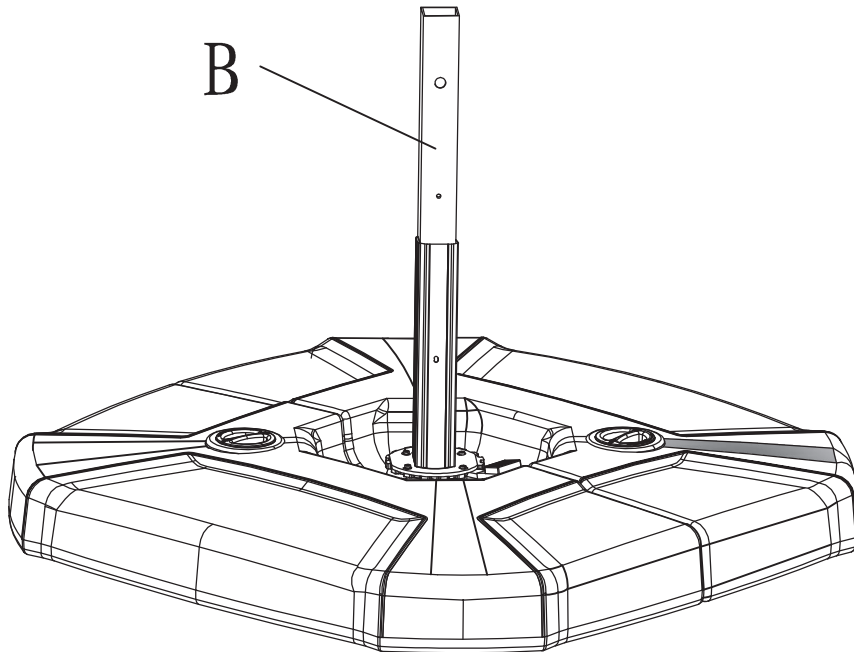
C 1X



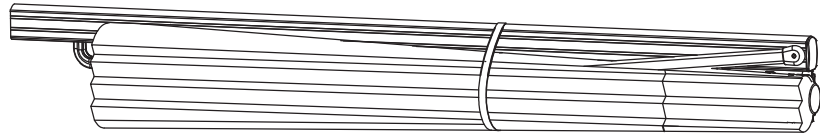
D 4X



Put on the Base Cover #C and the Base Tube Connector #D in order.



Umbrella Assembly

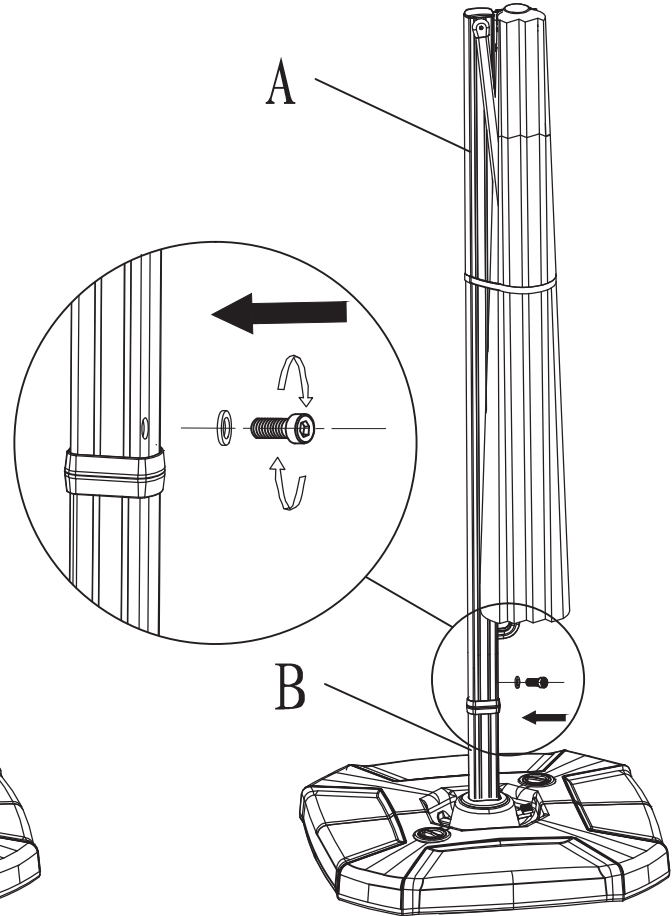
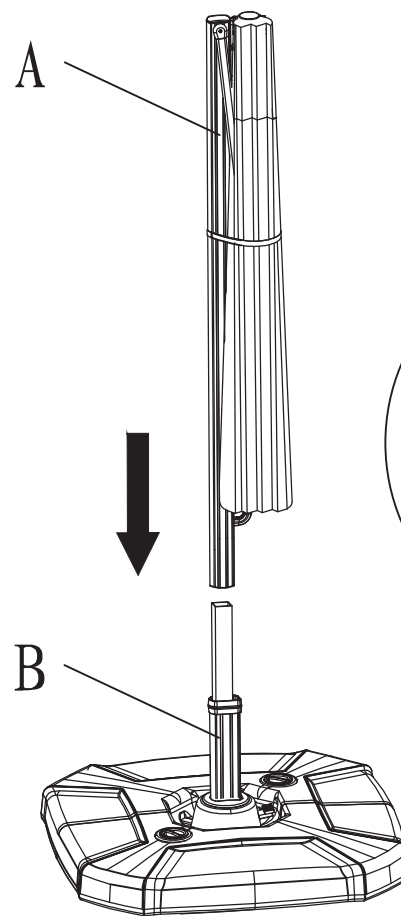
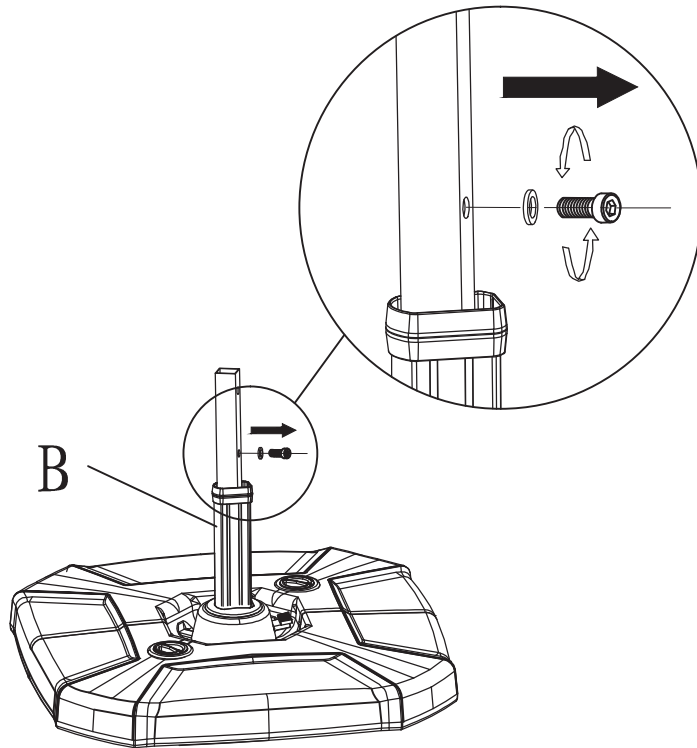


A 1X



L 1X

Two people are recommended for a team lift to complete the assembly. Remove the bolts from Base Tube #B, insert Cantilevered Canopy #A into Base Tube #B, and then reinstall the bolts.



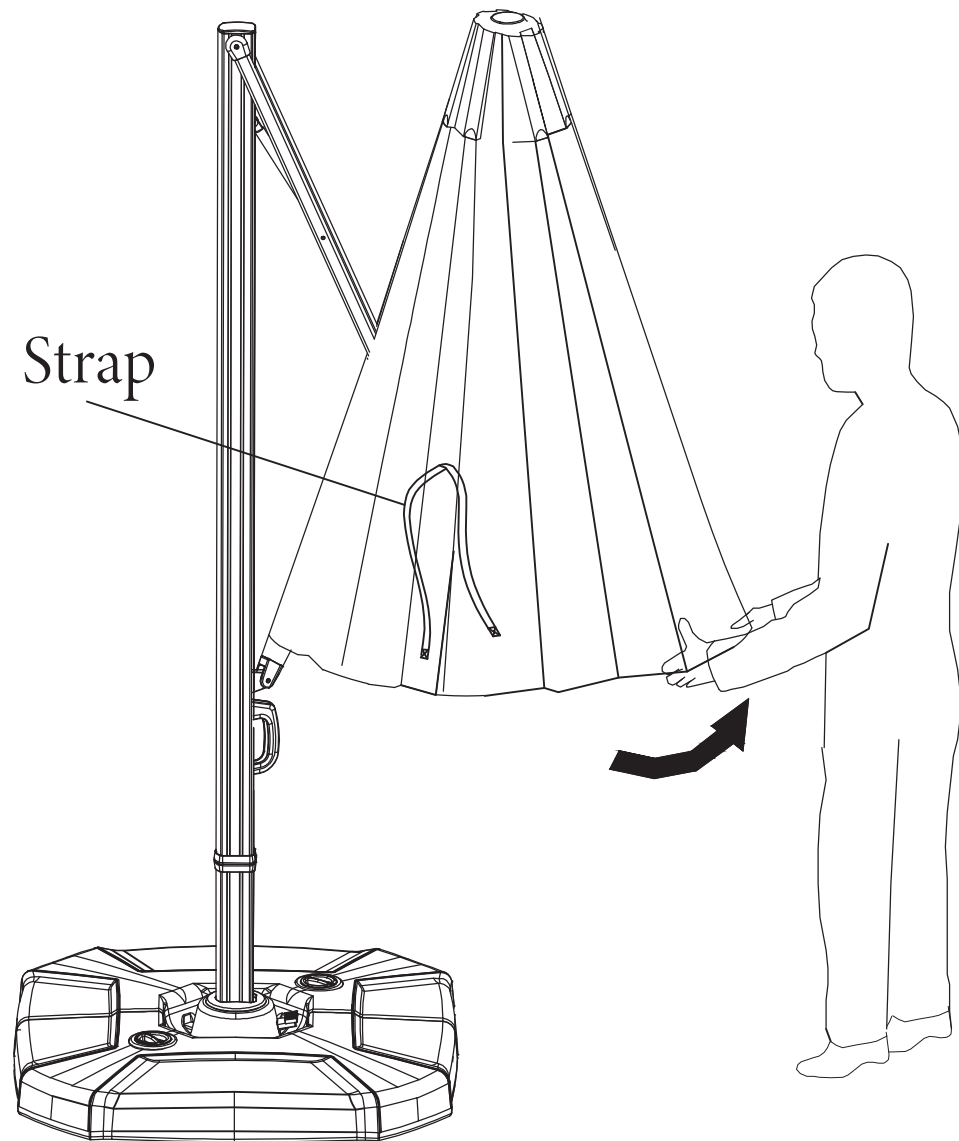
Operation

IMPORTANT: PRIOR TO USING THE TILT FUNCTION.

To avoid personal injury or damage to the umbrella, make sure the area behind you is clear and free from any furniture or structure.

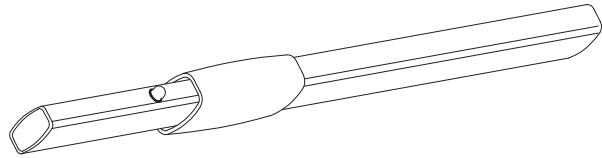
Operation

Remove the strap and pull the umbrella outward to remove the inner wrapper on each rib.



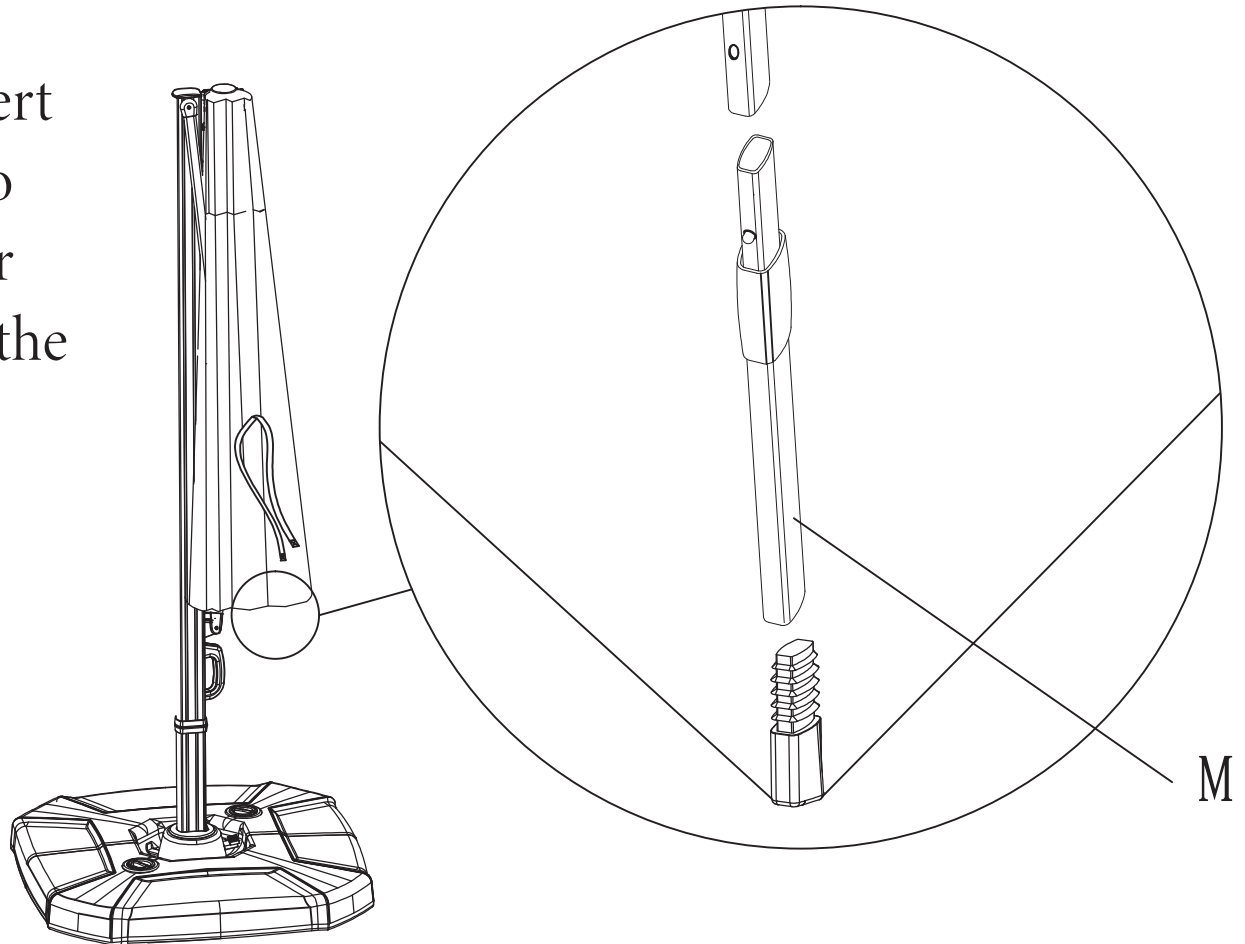
Note: Be mindful of the packaging in the umbrella canopy. It Must be removed before opening.

Umbrella Assembly



M 4X

Pull the umbrella outward, insert the short umbrella bone M into the umbrella ribs, and the other end into the plastic bracket on the umbrella cloth.

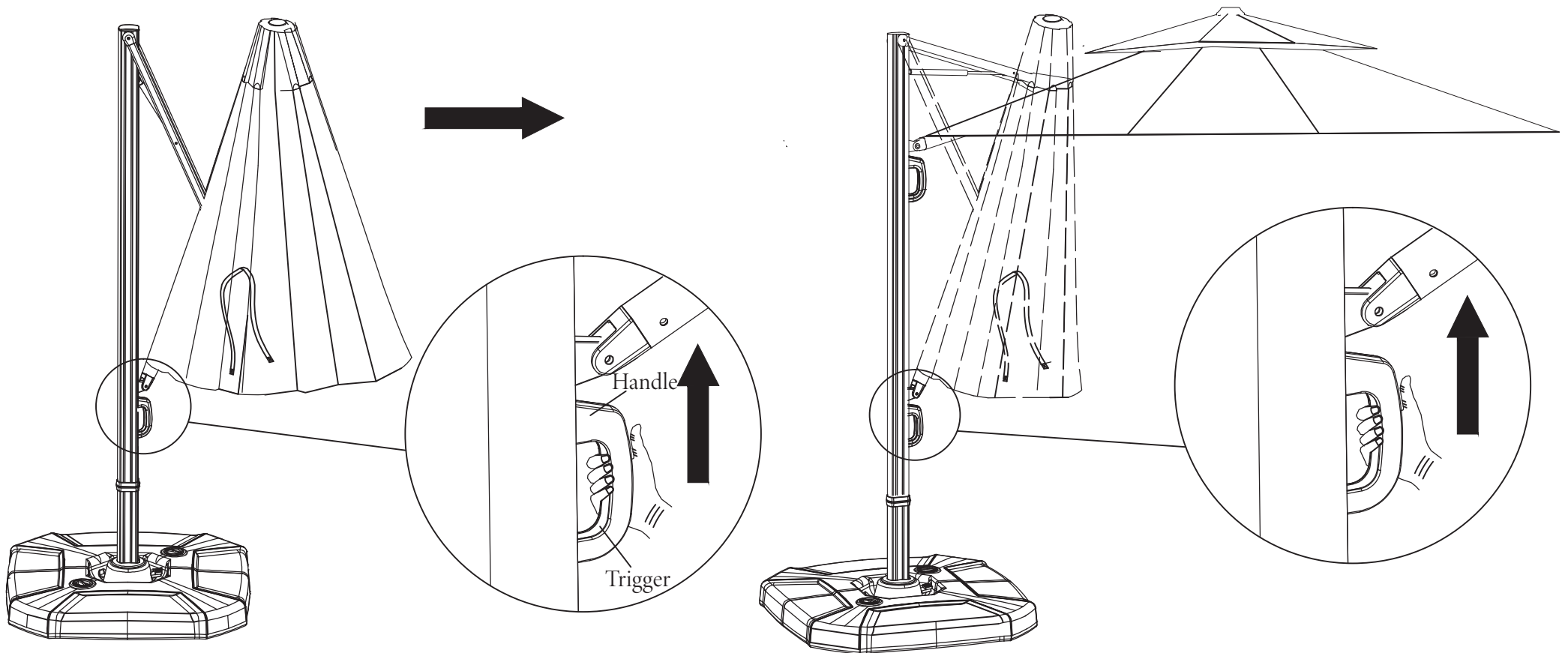


M

Operation

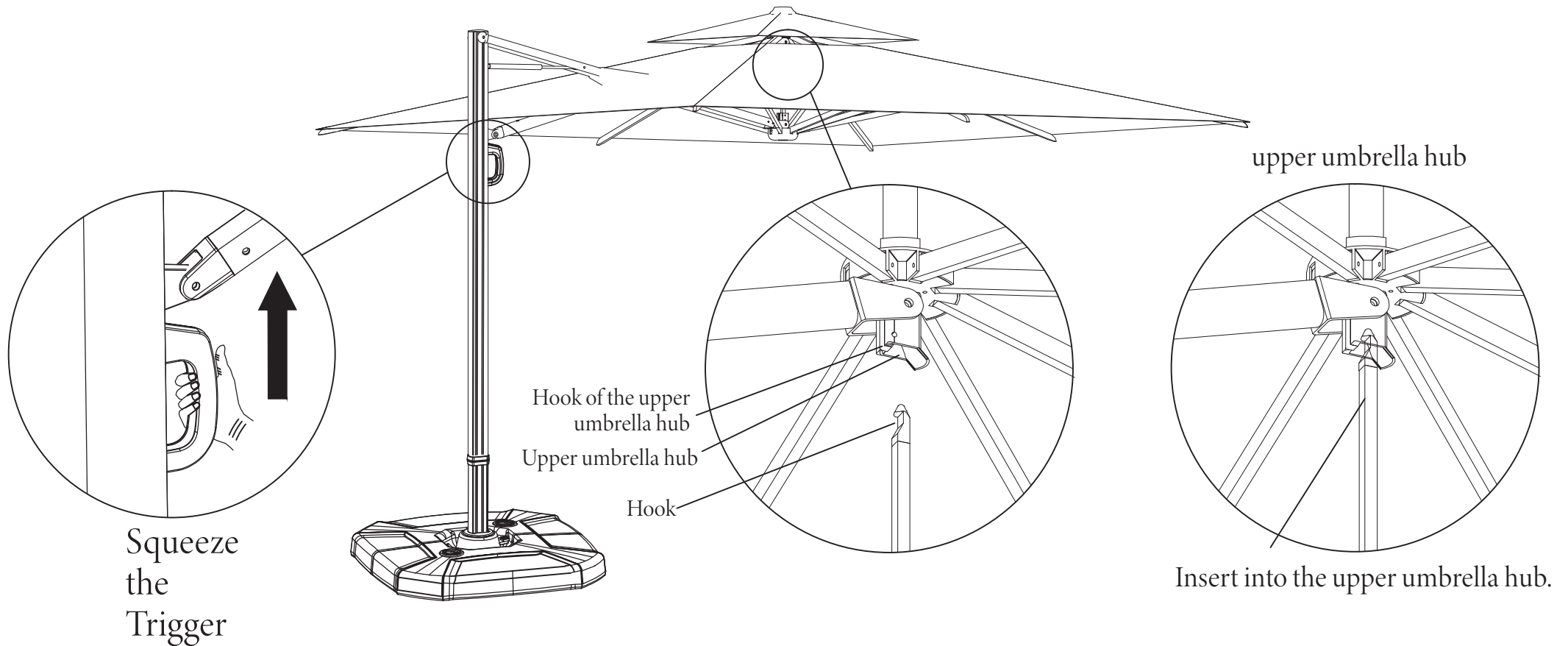
Pull the umbrella canopy to a slightly open position.

Slide the umbrella handle to the top of the pole by squeezing the trigger.



Operation

When the umbrella is extended to fully open position, pull the handle a bit more upward until the hook of the lower hub is inserted into the upper hub and hangs on the hanging buckle.



Operation

To Tilt Canopy

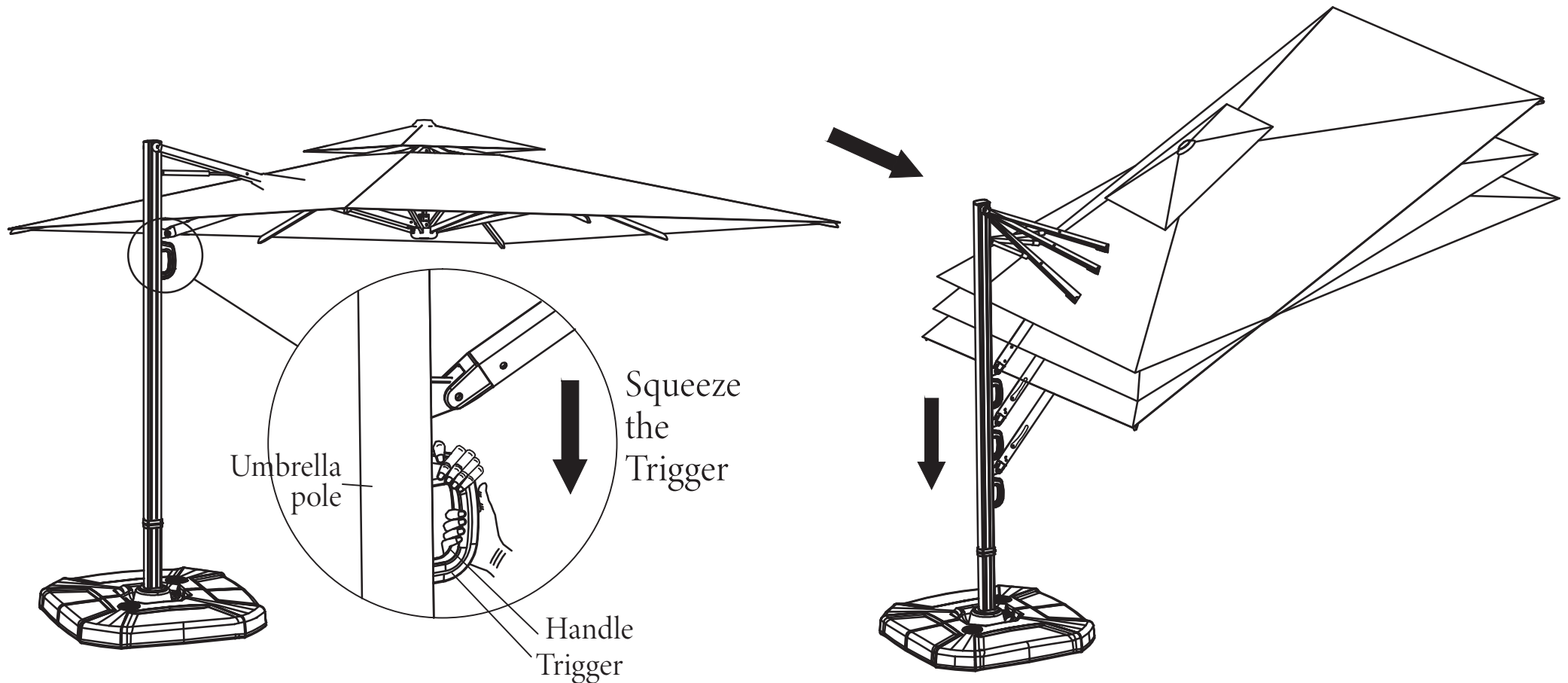
When the umbrella is fully open, use two hands to pull the handle trigger and move the handle up and down to adjust the angle of the umbrella canopy.

Notice: Built-in gas spring, dual-hand operation is required.

IMPORTANT:

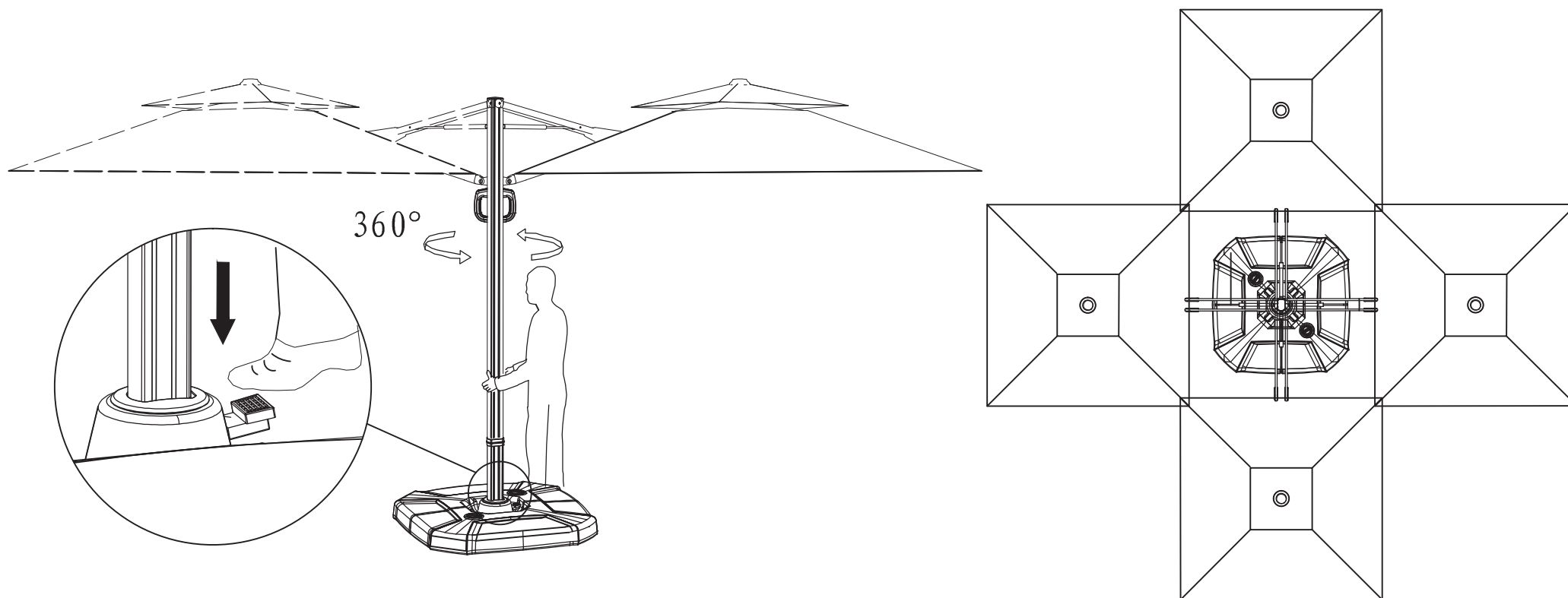
PRIOR TO USING THE TILT FUNCTION.

To avoid personal injury or damage to the umbrella, make sure the area behind you is clear and free from any furniture or structure.



Operation

The umbrella can be rotated 360° by depressing the pedal on the rotating disk G with your foot and turning the pole with your hand.



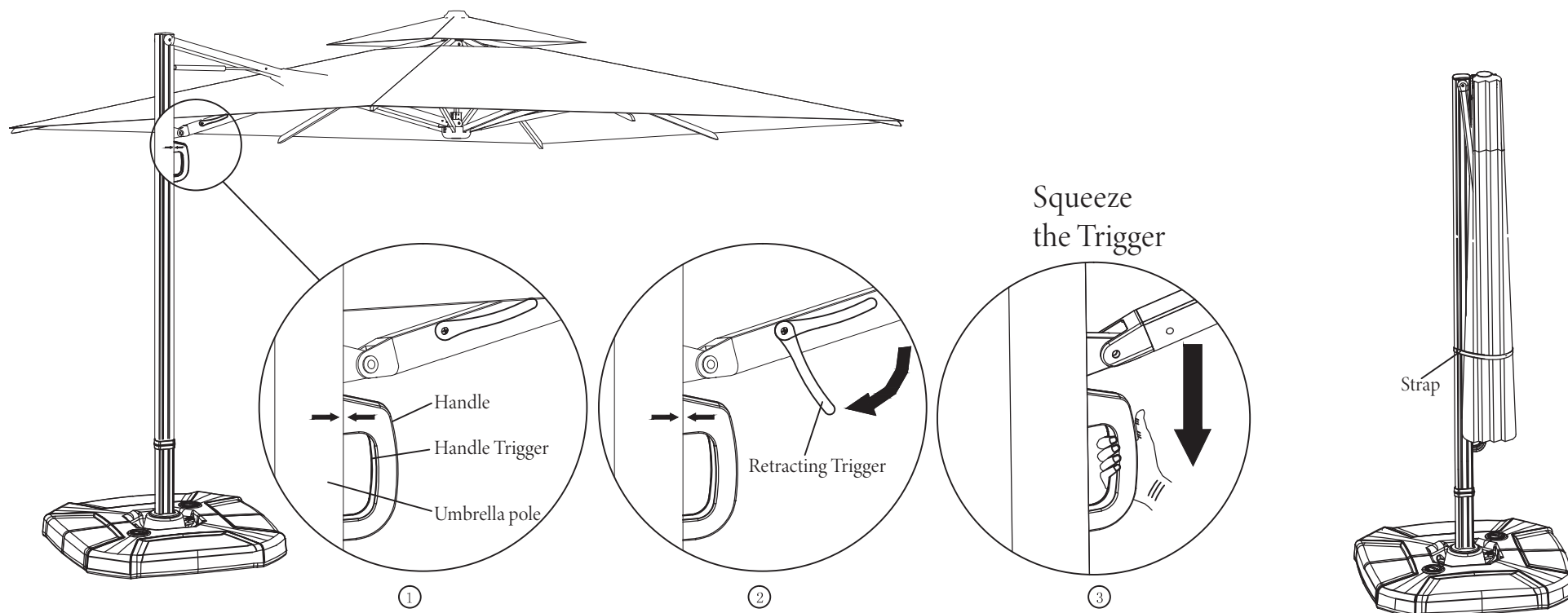
Operation

To Close Canopy

- ① Pull the handle to align the arrow on the pole with the one on the handle.
- ② Pull the Retracting Trigger (on the cross arm) to disengage the hook from umbrella hub.
- ③ Pull the Handle Trigger and move the handle down to retract the umbrella.

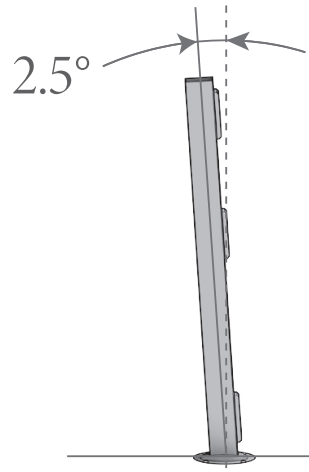
Attention:

Make sure there are no people or obstacles underneath the umbrella when retracting it to prevent any danger.

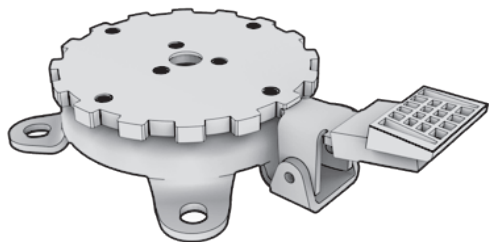


Note: When moving the handle to align with the umbrella rod arrow, please slow down the speed. Pull the handle to the position where the arrows of the umbrella pole are aligned when retracting the umbrella to slow down the retracting speed to prevent any danger.

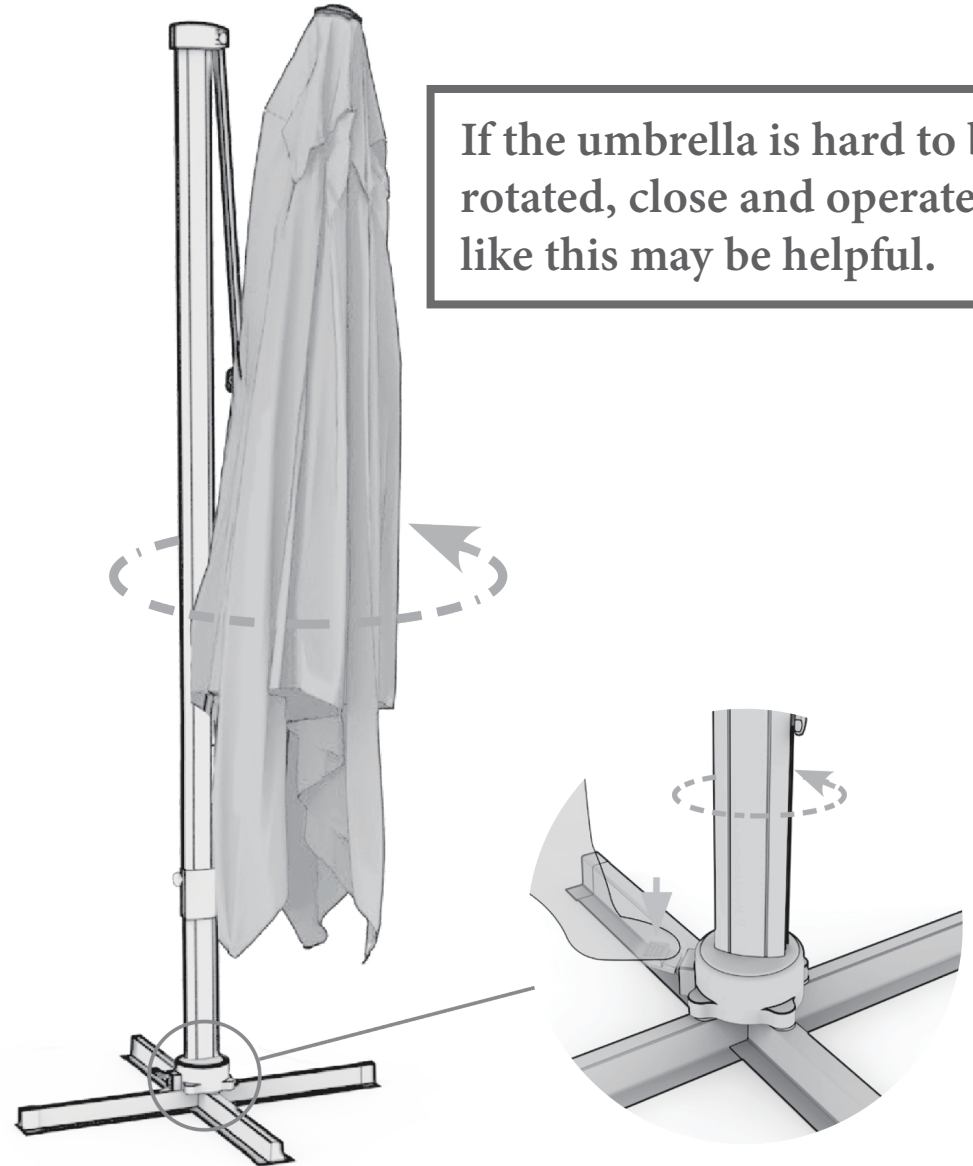
Notice



Umbrella base tube have 2.5° backward to the vertical for engineering purpose.



Foot Pedal won't be rotatable before the installation of umbrella.



If the umbrella is hard to be rotated, close and operate it like this may be helpful.

Notification

WARRANTY

- This warranty is extended to the original purchaser and applies to defects in materials and workmanship of your patio furniture provided your furniture is maintained with care and used only for personal, residential purposes.
- The frame is warranted to be free from defects in material or workmanship for one (1) year.
- Fabric is warranted for a period of three(3)years. Fading or discoloration resulting from exposure to the elements, chemicals, or from spills is not covered.

Notification

SAFETY PRECAUTIONS

Close the umbrella in windy conditions or when a storm approaches.

Never allow the umbrella to flap in the wind. This could damage the canopy.

Properly store umbrella when not in use. Close umbrella, and cover umbrella with a protective cover.

Do not leave an open umbrella unattended. If damage occurs, this is not covered by the warranty.

When adjusting the umbrella, make sure that no person(s) or item(s) is close to the umbrella. This is important to prevent injury or material damage.

Notification

SAFETY PRECAUTIONS

When not in use, close and cover umbrella with a protective cover.

If necessary, clean the fabric with lukewarm water.

Allow a wet canopy to dry slightly opened, but do not leave unattended.

Wipe sliding marks on the aluminum poles with a damp cloth.

Winter Storage: Store in A Dry Place.



RESORT COMFORT IN YONR
OWN BACKYARD

Support:



Business cooperation contact email:

marketing@domioutdoorliving.com

After-sales contact email:

service@domioutdoorliving.com

Please tell us your order ID when contact.

Attach photos of damaged part for instant reply.