










Assembly Instructions

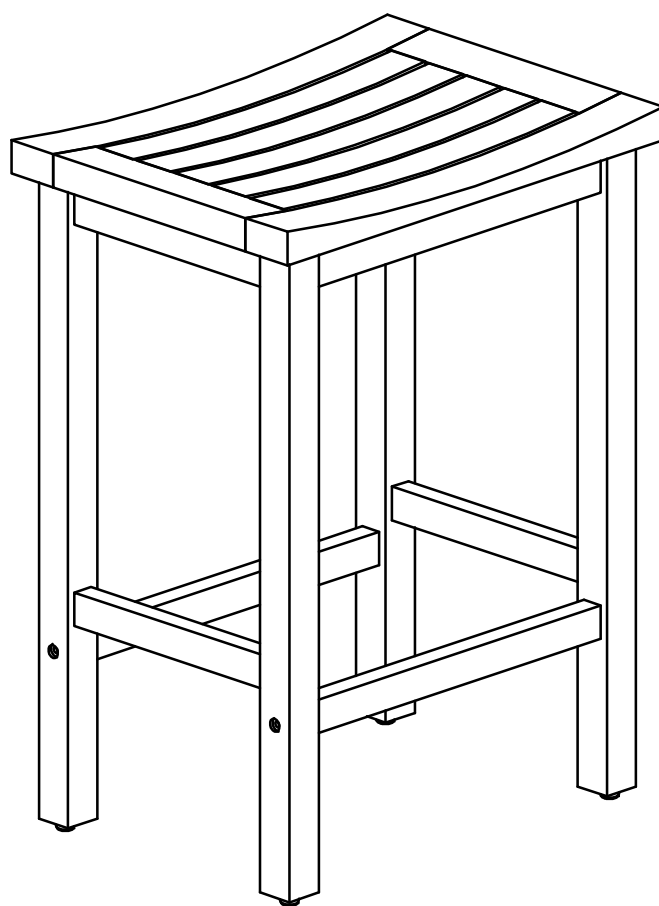
CAUTION: You must read this before you proceed.

Care & Maintenance

- ⊘  • Not for commercial use. For residential use only.
- ⊘  • Do not put hot items directly on furniture surface.
- ⊘  • Do not clean furniture with harsh cleansers or polish.
- ✓  • To obtain the longest lifespan of your outdoor products, minimizing exposure to direct sunlight is recommended.
- ⊘  • Children should not climb or jump on the furniture.
- ⊘  • Do not write on furniture without a padded barrier to protect the surface.
- ✓  • To obtain the longest lifespan of your outdoor products, avoid extended and lengthy exposure to rain, snow, and direct sunshine. Whenever possible cover the product and /or place under patio or awnings.
- ⊘  • Stains may be removed with mild soap solution and damp cloth.
- ✓  • Dust and pick-up spills using a clean, non-colored, lint- free cloth.

Please look in Seat Panel for hardware pack.

ARM CHAIR

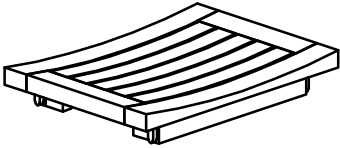




CAUTION :This Chair is NOT a TOY.






Keep your child/children at bay during the assembly process.

For moving the Chair and to prevent damage to the Chair, two adults are needed to execute this action.

Part List

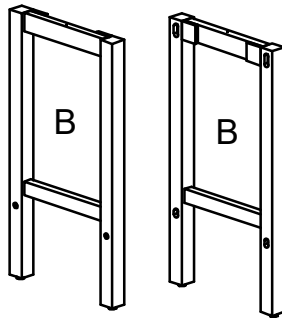
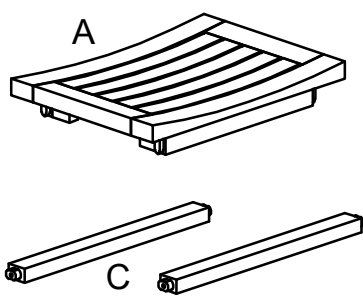
Label	Picture	Description	Qty
A		Seat Frame	1
B		Leg	2
C		Cross Bar Of Legs	2

Hardware

Label	Picture	Description	Qty
①		Allen Wrench	1
②		Screw (M6*70mm)	5
③		Screw (M6*55mm)	3
④		Washer	5
⑤		Bolt (M6x40mm)	5

Assembly Preparation

Before Beginning Assembly:

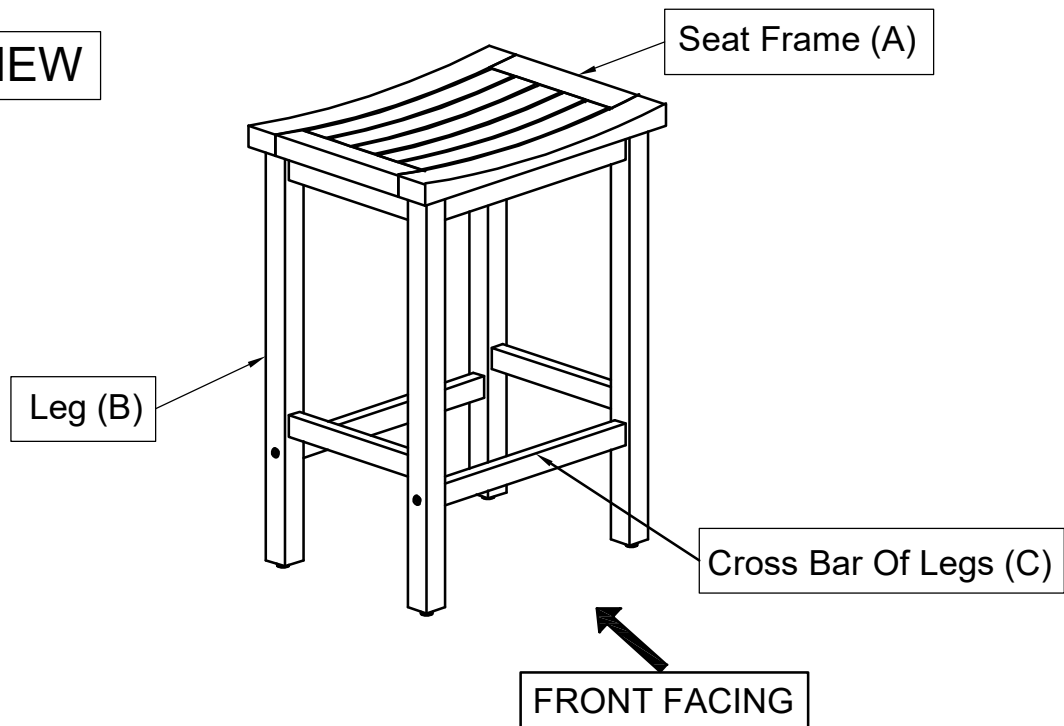


①		x1
②		x5
③		x3
④		x5
⑤		x5

- Read instruction, cover to cover-
- Have 2 adults on hand for assembly-
- Do not assembly on flooring or carpet-
- Assemble on a clena non- marring surface (packing foam)-
- Save all packaging until finished-

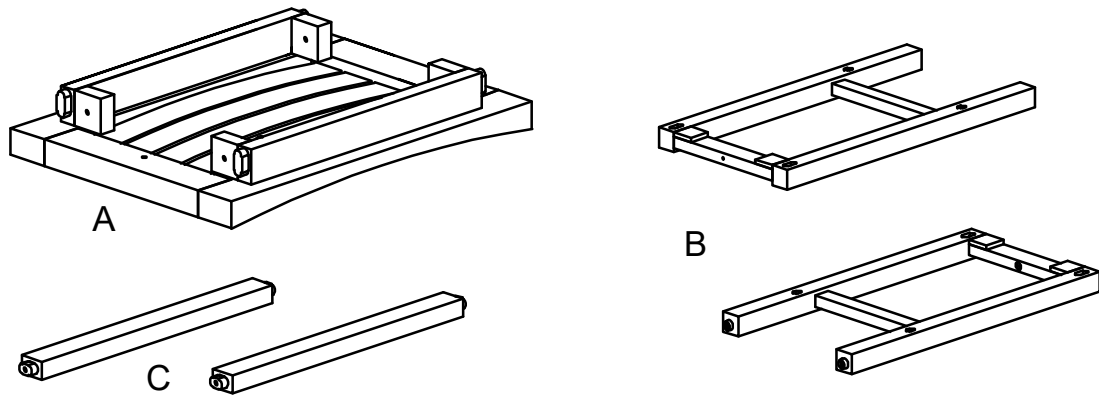
Assembly Steps

OVERVIEW



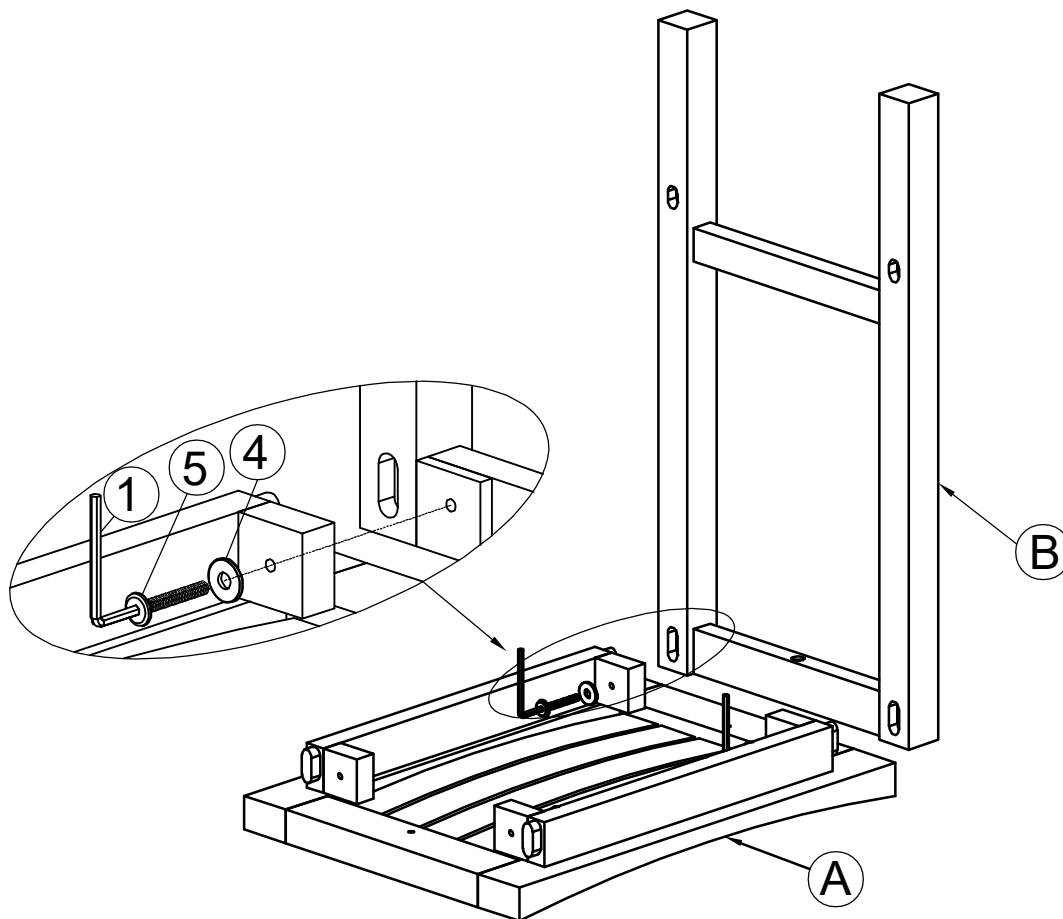
This Chair has multiple parts and may require up to some 30 minutes to assemble. To give you an overview of the Chair, the above picture is to help you put the various parts into perspective. Please read through the instructions here below to familiarise the parts and steps before assembly.

Step 1



Unpack and place all parts on a clean, non-marring surface.

Step 2

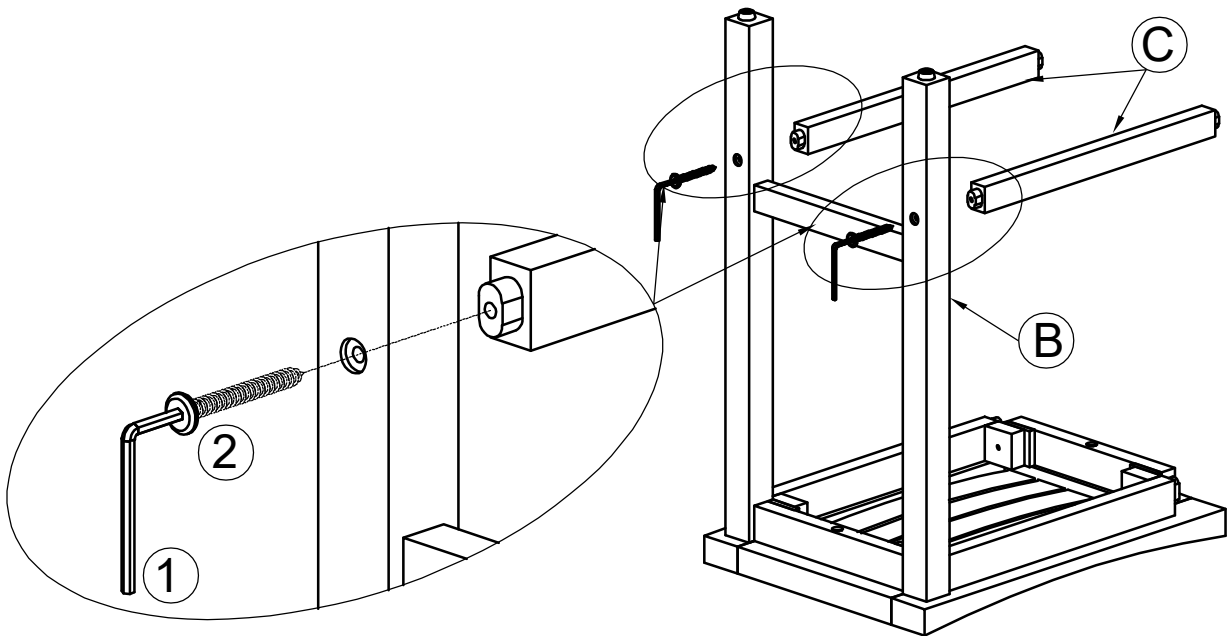


Attached Leg(B) to the Seat Frame(A) as pictured above.

Secure by using Bolts(5), Washer(4), and Allen Wrench(1).

DO NOT FULLY TIGHTEN THE BOLTS.

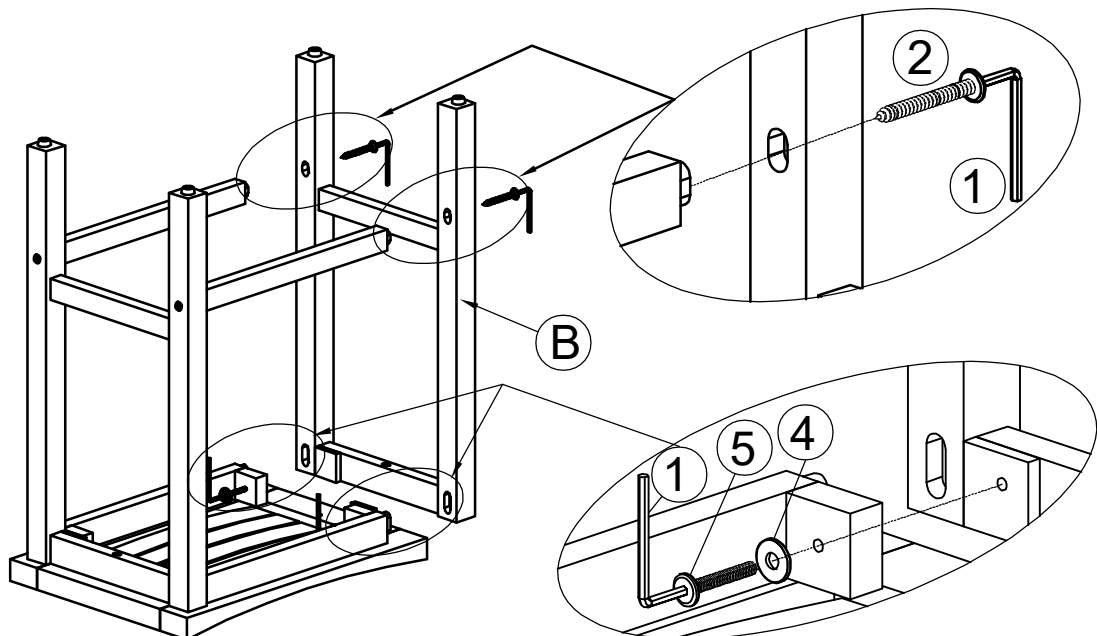
Step 3



Attach the crossbars of legs (C) to in assemble part by using Screw (2) and Allen Wrench (1)

DO NOT FULLY TIGHTEN THE SCREW.

Step 4



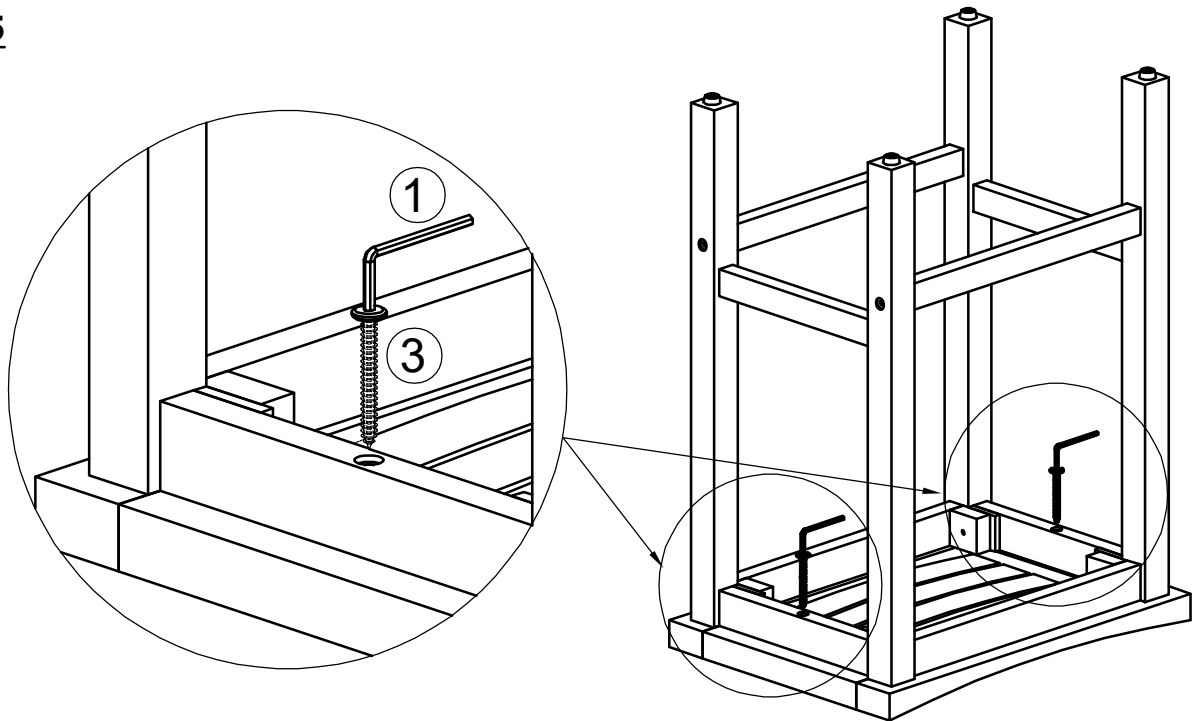
Then place assembled part in step 2 into the tenon of side rails and the leg (B).

4.1 Using Bolts (5), washer (4) and Allen Wrench (1) to attach the seat frame (A) to leg B.

4.2 Using Screw (2) and Allen Wrench (1) to attach the crossbar of leg (C) to leg (B).

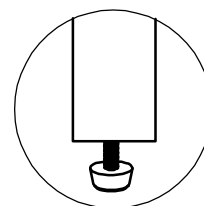
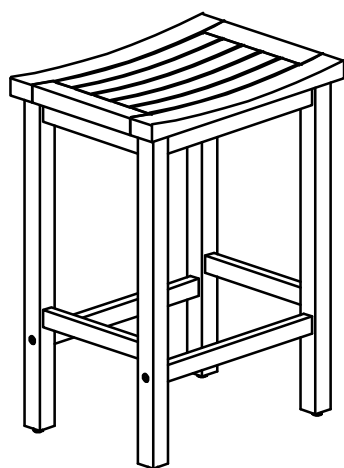
DO NOT FULLY TIGHTEN THE BOLTS.

Step 5

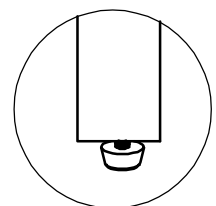


Finally, using Screw (③) and Allen Wrench (①) to strengthen seat top panel.
DO NOT FULLY TIGHTEN THE SCREW.

Step 6



Adjust height for balance



Adjust low for balance

Adjust Pre-installed Levellers
height for balance

With assistance from your adult partner, turn the Chair right side up.

Inspect it and make sure all parts are adequately connected.

Carefully sit onto the Chair. This pressure will help align all parts at all joints.

Then get off the Chair and proceed to tighten the Bolts and Screws in a sequential manner.

When tightening the Bolts and Screws tighten sequentially.

DONOT tighten any Bolts and Screw fully and then move on towards the next one.

If there are any wobbles after tightening, loosen the Bolts and Screws and execute this same process.

Adjust the Levellers until the Chair is level with the ground.

To adjust the Levellers, get assistance from an adult partner to lift/lean and hold the Chair while you are working.

Your Chair is ready for use.

This Chair can only be used on a flat, level surface.