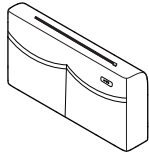
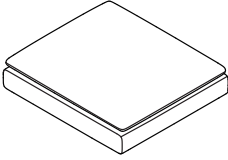
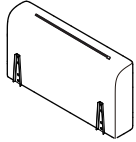
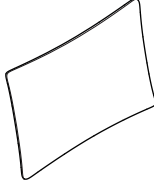
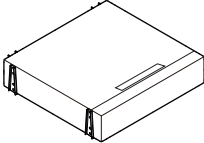
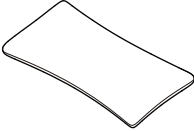
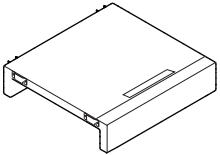
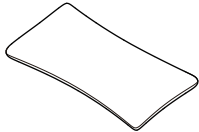
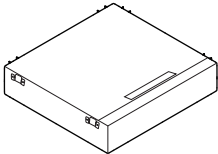

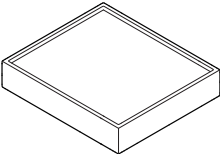

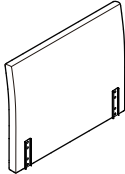
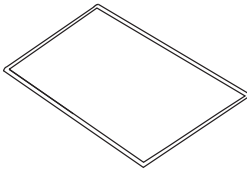
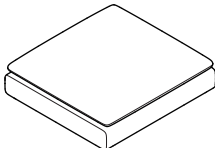
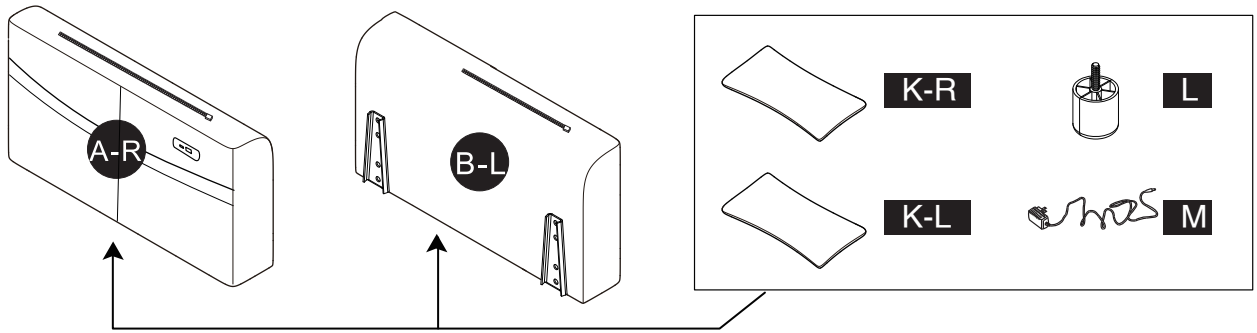


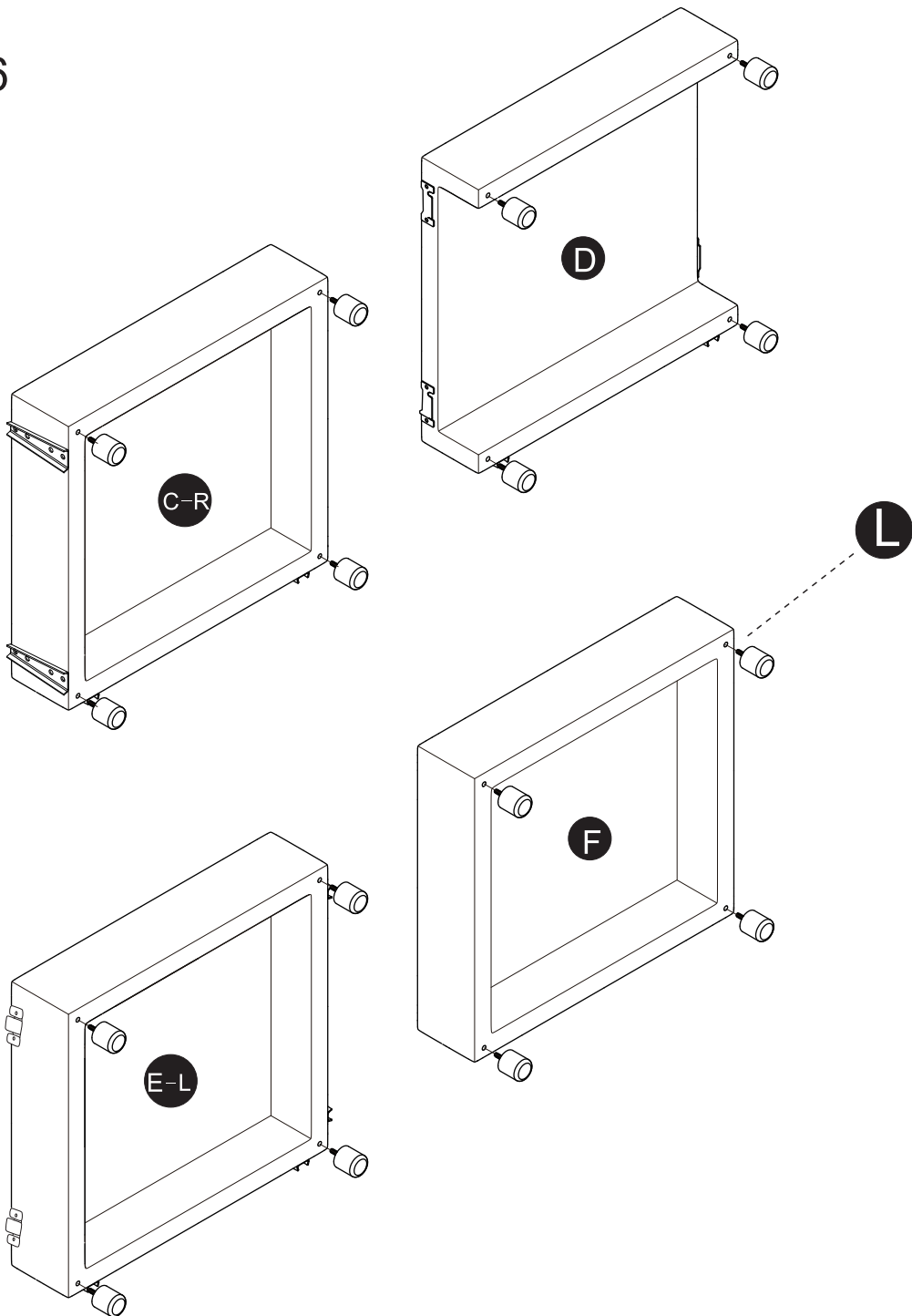
Part NO.	Part Image	Part Name	QTY	Part NO.	Part Image	Part Name	QTY
A-R		Right Armrest	1	I		Ottoman Cushion	1
B-L		Left Armrest	1	J		Back Cushions	3
C-R		Right Seat Frame	1	K-R		Right Arm Cushion	1
D		Middle Seat Frame	1	K-L		Left Arm Cushion	1
E-L		Left Seat Frame	1	L		Legs	16
F		Ottoman Seat Frame	1	M		Plug	1
G		Backrests	3	N		Board On Ottoman	1
H		Seat Cushions	3				

STEP 1

Tip: please take out some parts from the base of armrests before you assemble the sofa.

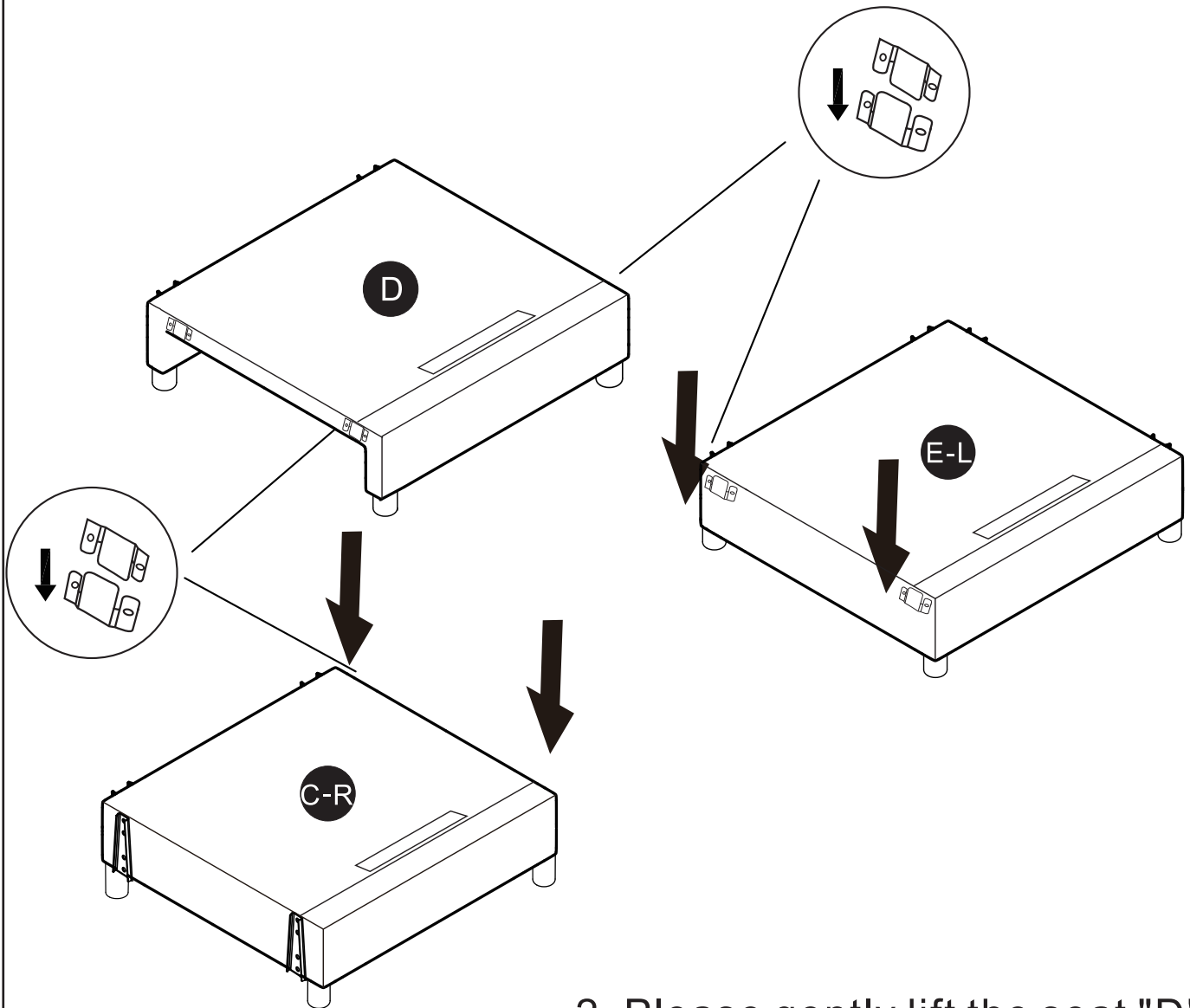


L x16



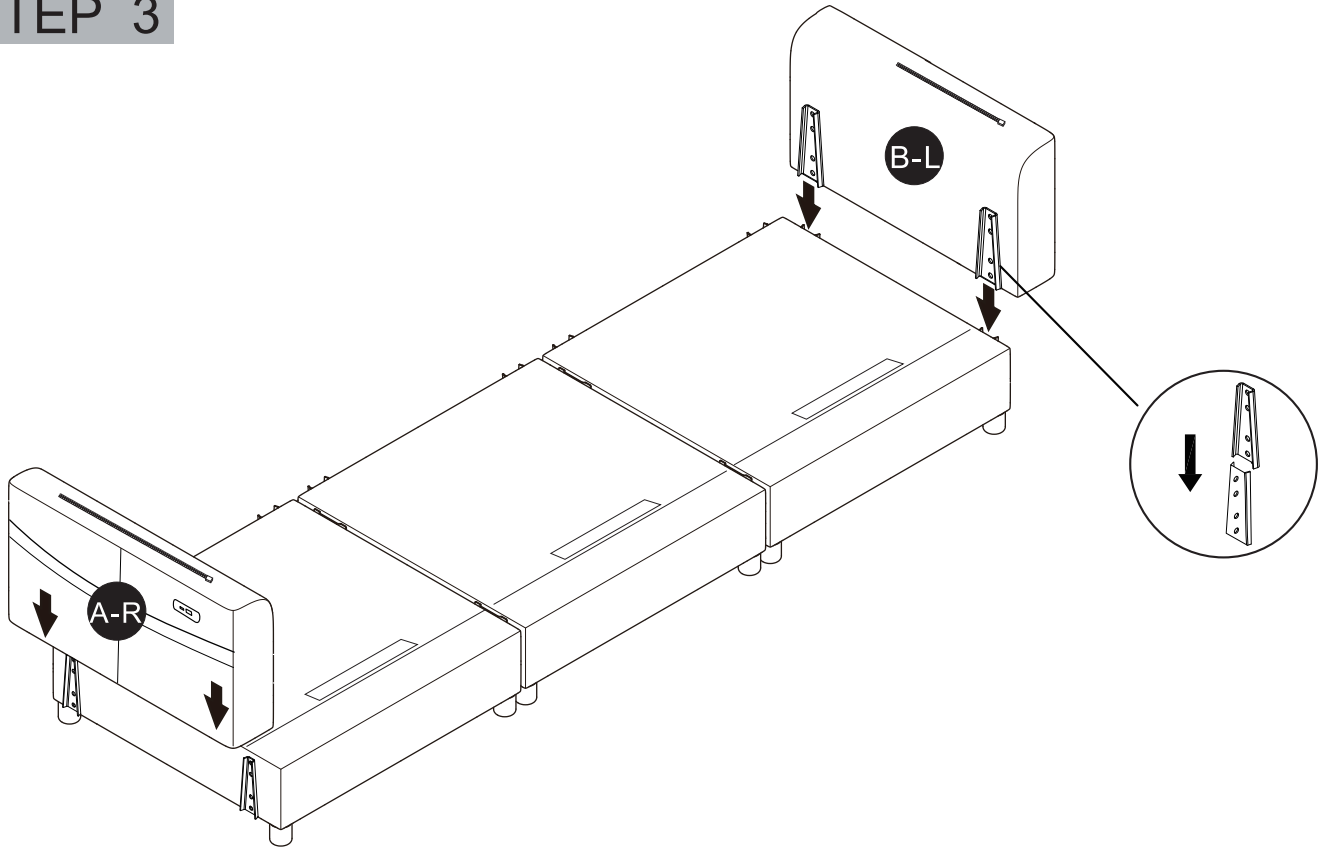
STEP 2

1. Please gently lift the seat "D" and connect it with the seat "C-R".

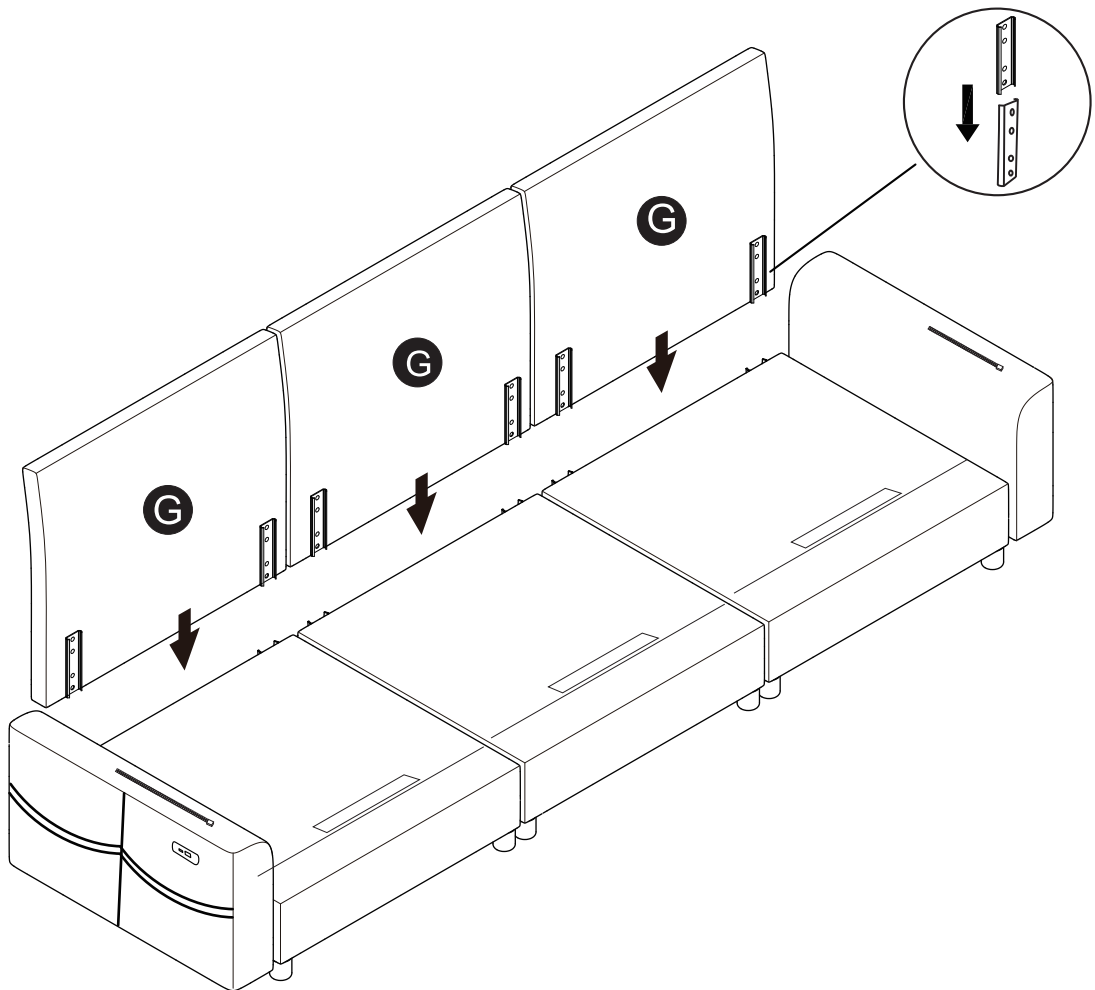


2. Please gently lift the seat "D" and connect it with the seat "E-L".

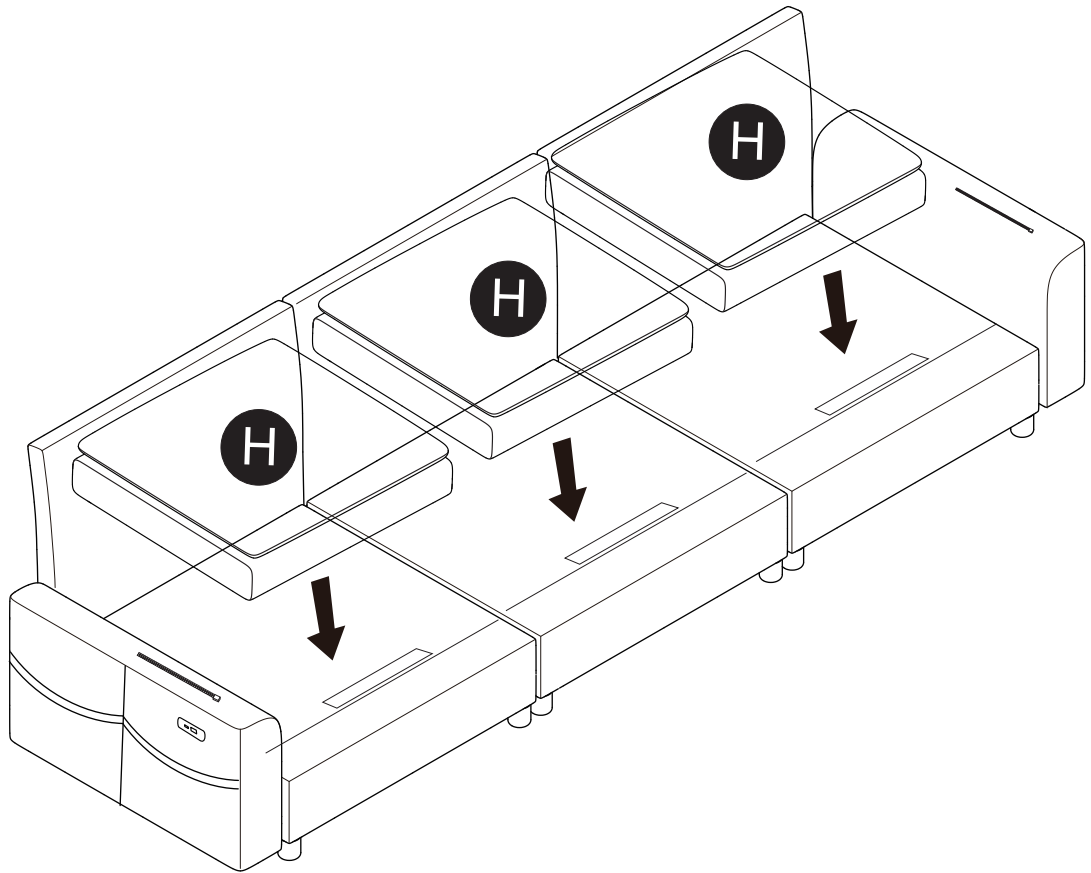
STEP 3



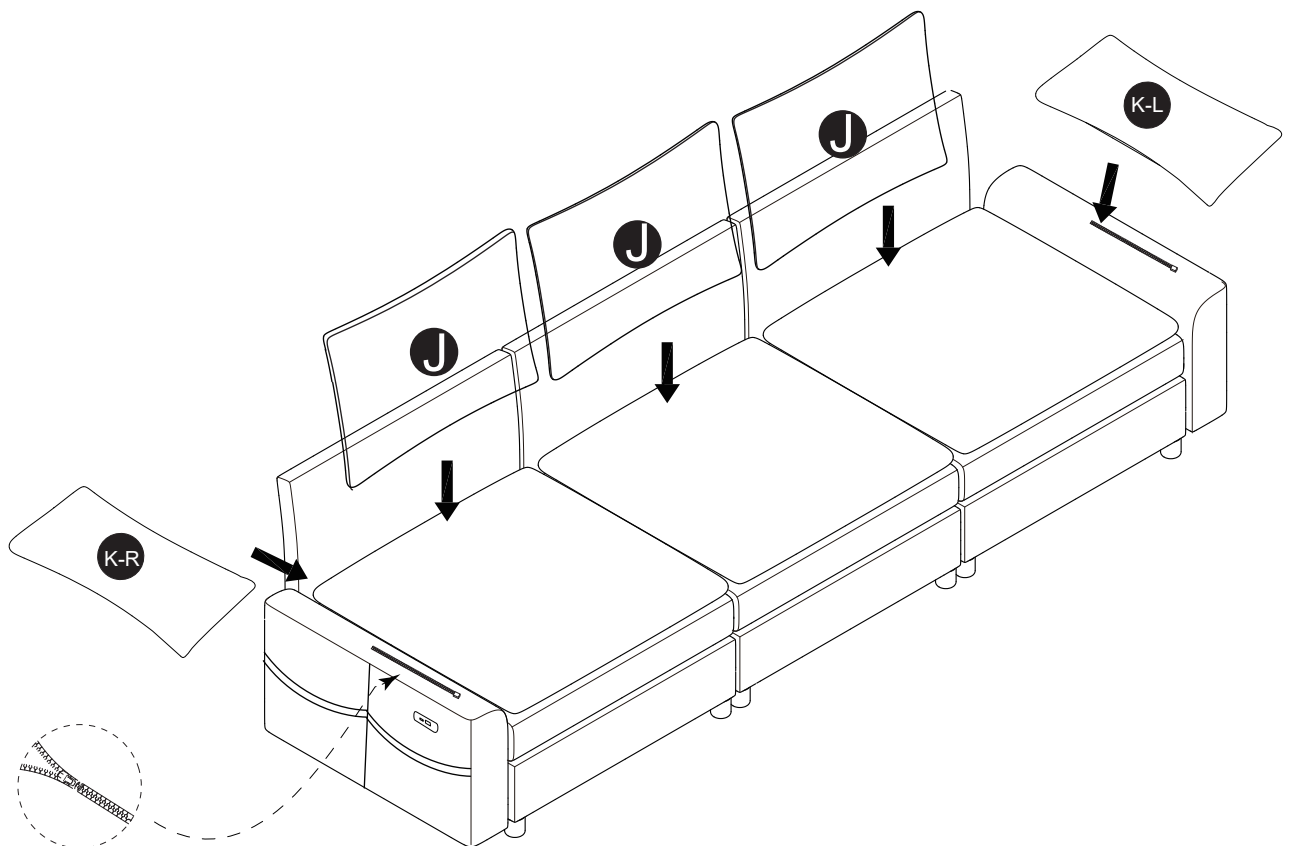
STEP 4



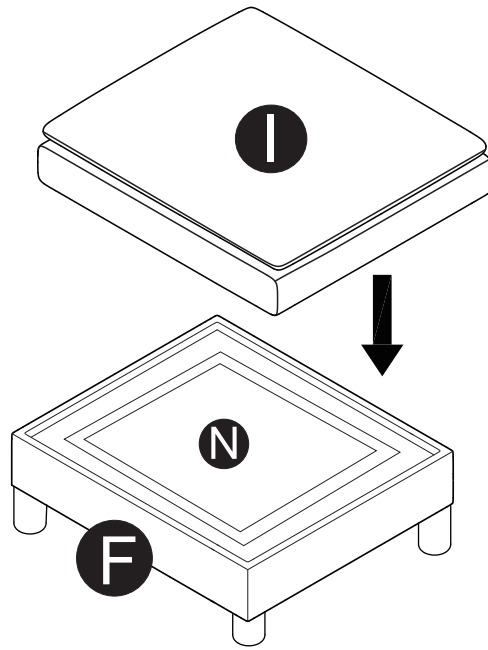
STEP 5



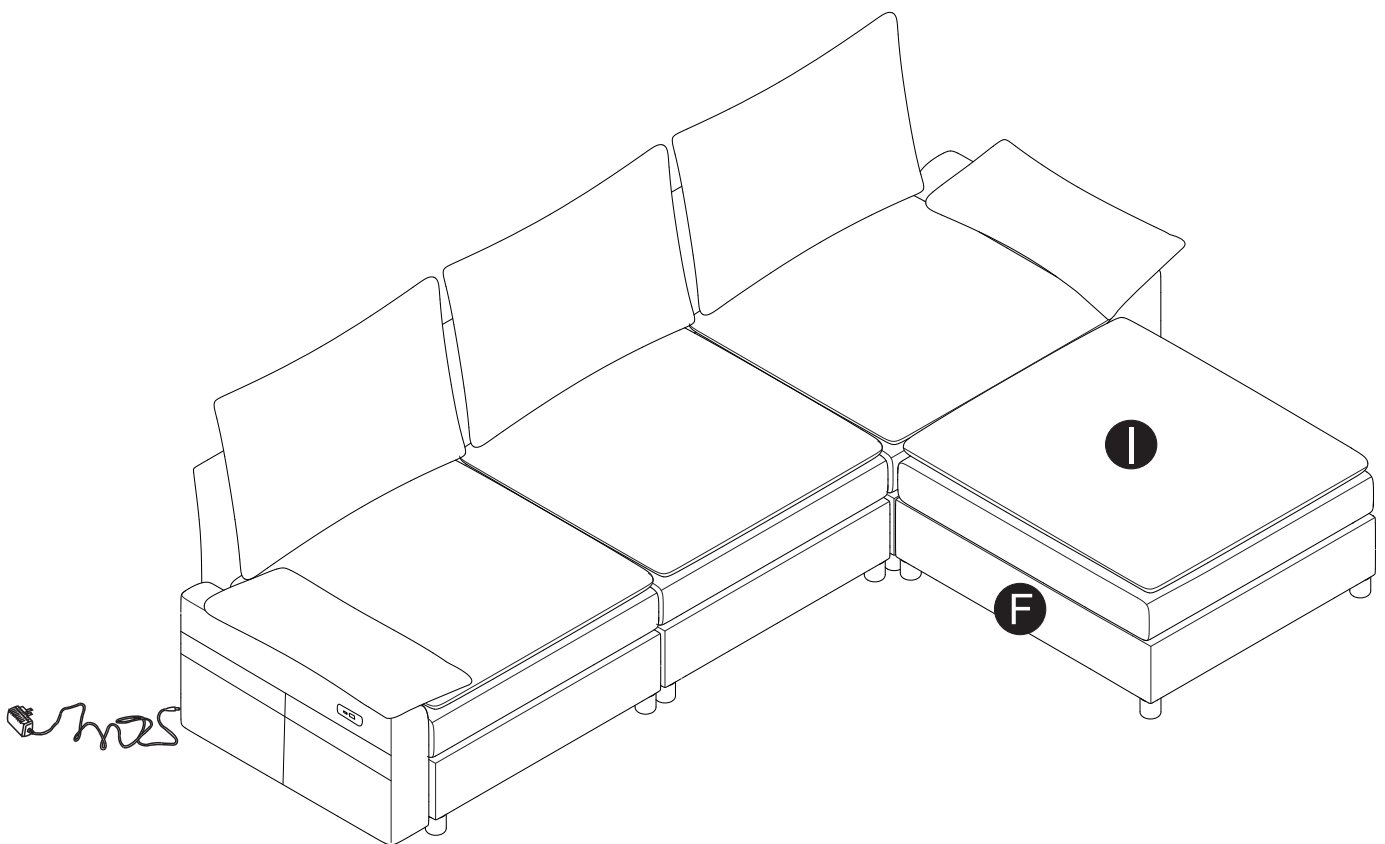
STEP 6



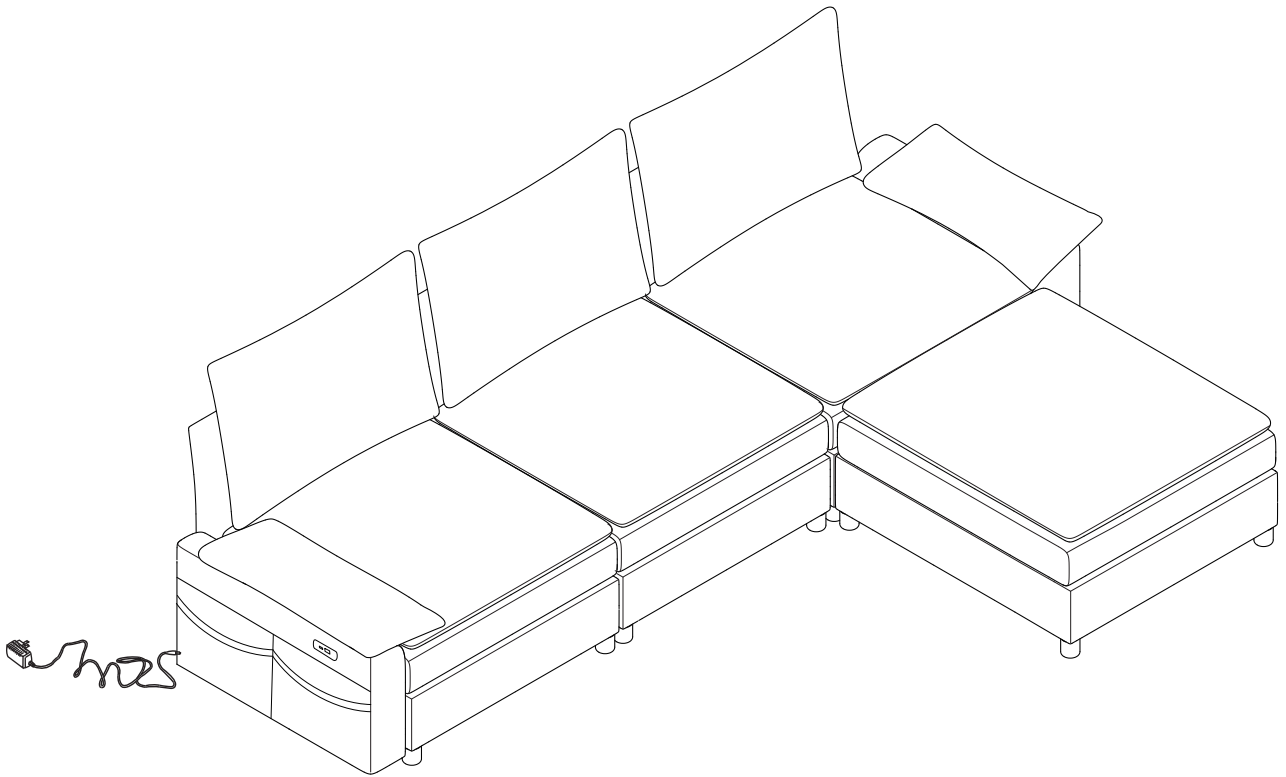
STEP 7



STEP 8



STEP 9



STEP 10

ottoman seat cushion can be reversible and become a tea table.

