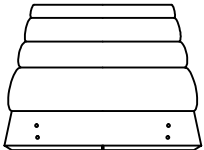

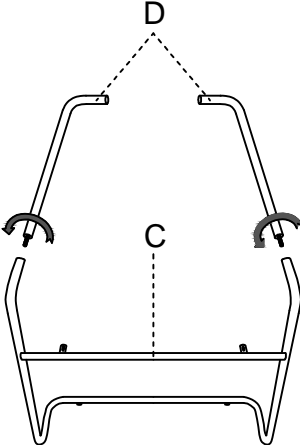
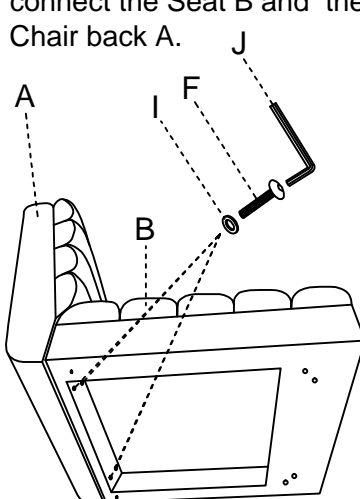
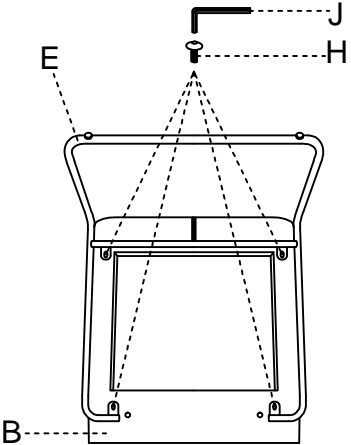
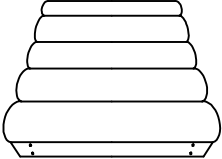
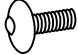
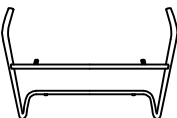
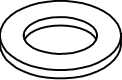
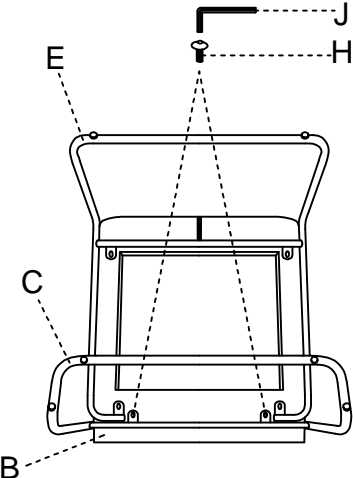
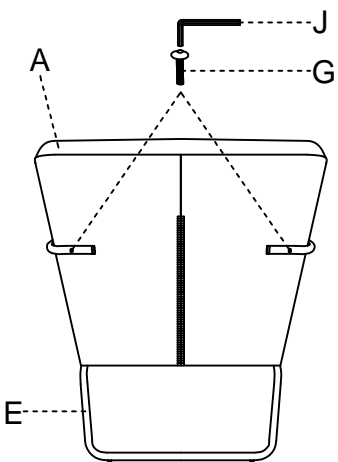
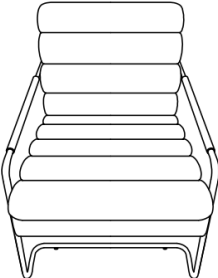
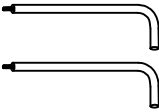

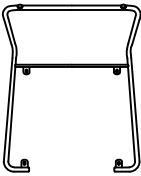


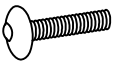
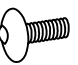


Assembly Instructions

<p>A*1</p> 	<p>G*2 M6*40mm</p> 	<p>① Connect rear armrest D with front frame C, fasten to secure.</p> 	<p>② Place the Chair back A and Seat B on a clean padded surface. Use bolt F, flat washer I, allen key J to connect the Seat B and the Chair back A.</p> 	<p>③ Use bolt H, allen key J to connect the metal legs E to bottom of the Chair.</p> 
<p>B*1</p> 	<p>H*6 M6*18mm</p> 			
<p>C*1</p> 	<p>I*4 M6*16mm</p> 	<p>④ Use bolt H, allen key J to connect the metal legs C to bottom of the Chair.</p> 	<p>⑤ Use bolt G, allen key J to connect the metal handrail D and the Chair back A.</p> 	<p>⑥ Assembly completed.</p> <div data-bbox="1839 916 2056 1166" style="border: 1px solid black; padding: 5px; text-align: center;"> <p>⚠</p> <p>For velvet: With help of adult partner, iron the fabric cover to stretch the wrinkles and dent mark with steam iron while necessary, please separate with a towel before ironing..</p> </div> 
<p>D*2</p> 	<p>J*1</p> 			
<p>E*1</p> 	<p>F*1 M6*50mm</p> 			
<p>F*4 M6*50mm</p> 	<p>EXTRA PARTS</p> <p>G*1 M6*40mm</p> 			
<p>H*1 M6*18mm</p> 	<p>EXTRA PARTS</p>			