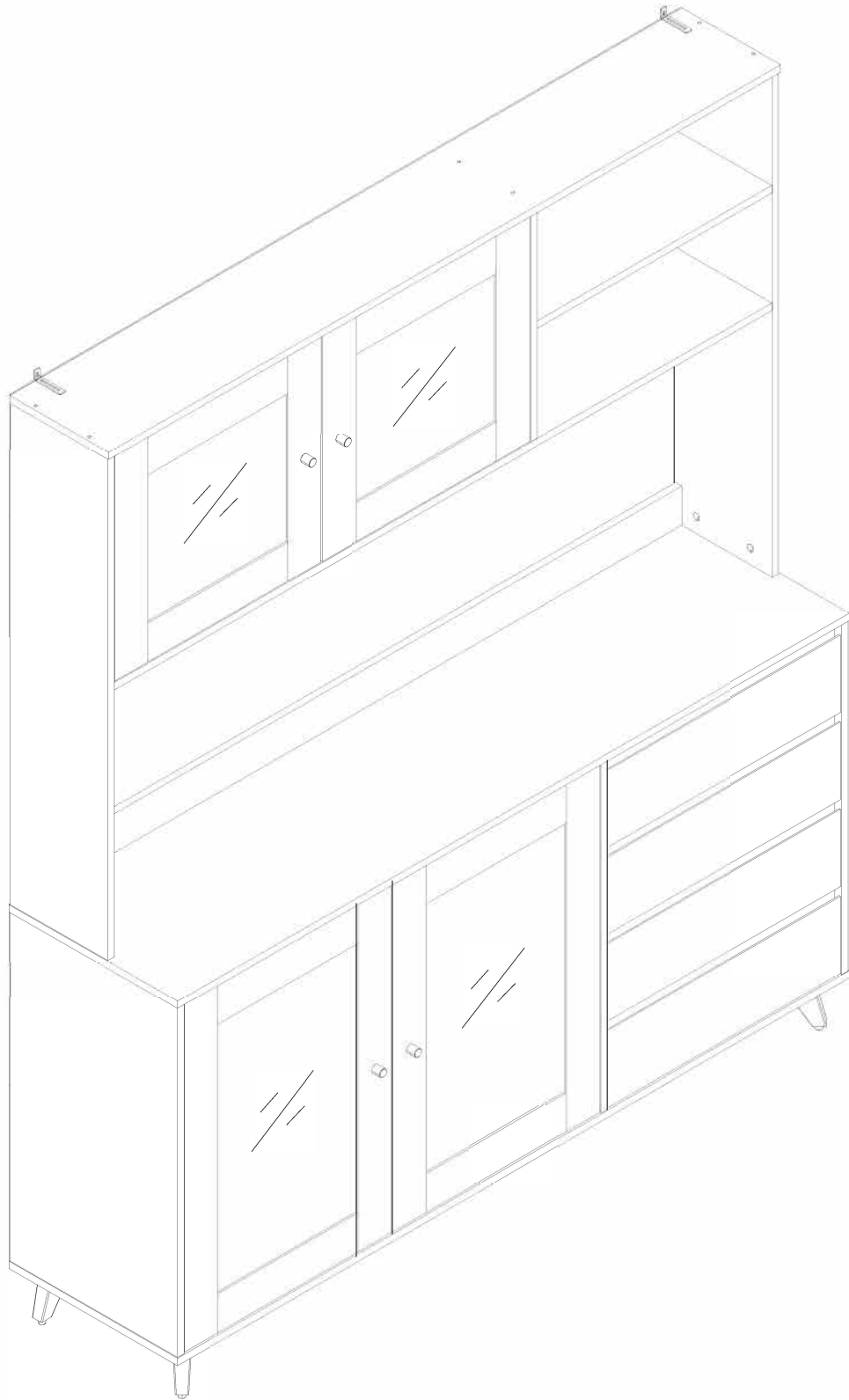
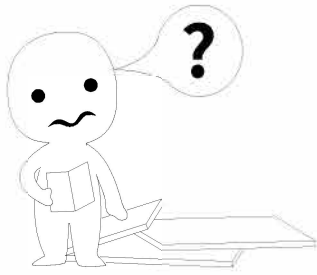


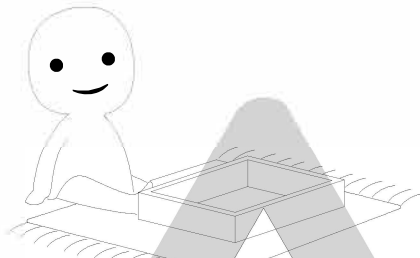
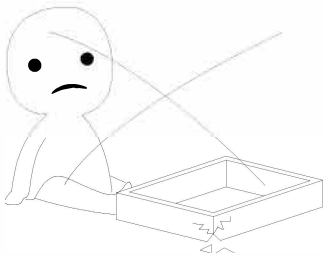
Cupboard





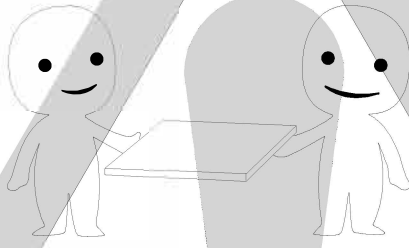
IMPORTANT INFORMATION!

please read the entire manual before starting to assemble and/or using this product. follow the manual thoroughly and keep it for further reference.



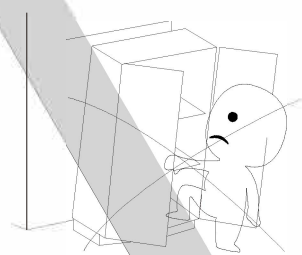
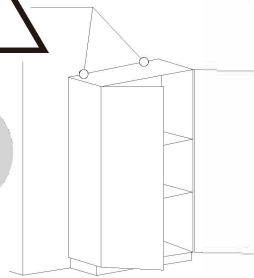
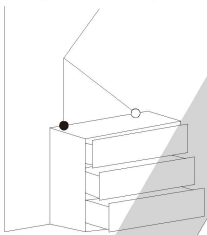
AVOID SCRATCHES!

In order to avoid scratching this furniture should be assembled on a soft layer- could be a rug.



IMPROVE EFFICIENCY !

Try to find a partner to install with you, which can speed up the installation efficiency and shorten the time.



ANTI-TOPPLE WARNING !

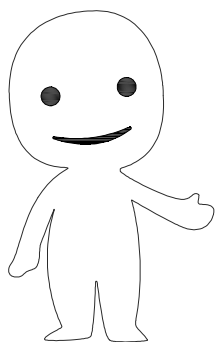
Overtured furniture can cause serious or fatal crush injuries. To prevent tipping over, be sure to use the wall attachment, if not included with this product. Please purchase the wall attachment that fit your wall. If unsure, seek professional advice. Please read and follow each step of the instructions carefully.

IMPORTANT !

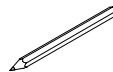
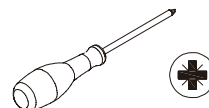
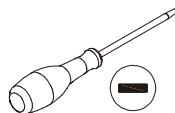
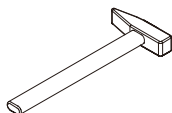
It is important that any product which is assembled using any kind of screw is re-tightened 2 weeks after assembly, and once every 3 months - in order to assure stability through-out the lifespan of the product.

For regular maintenance and cleaning of the product, for the frame, please use a rag dipped in neutral detergent to fully wipe it, and then dry it with a clean rag. For glass materials, wipe with a rag dampened with water glass cleaner, and then dry with a dry rag.

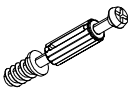

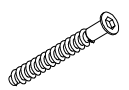
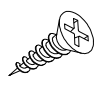
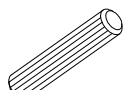

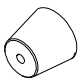

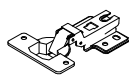
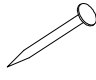

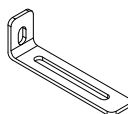




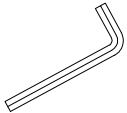
Do not use an electric screwdriver, and do not use too much force when installing, because the board is easy to break.



Please prepare the following tools

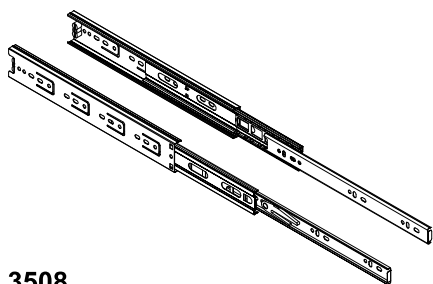


When installing, please carefully confirm whether each screw corresponds to the manual, accessories with similar shapes can be distinguished by size

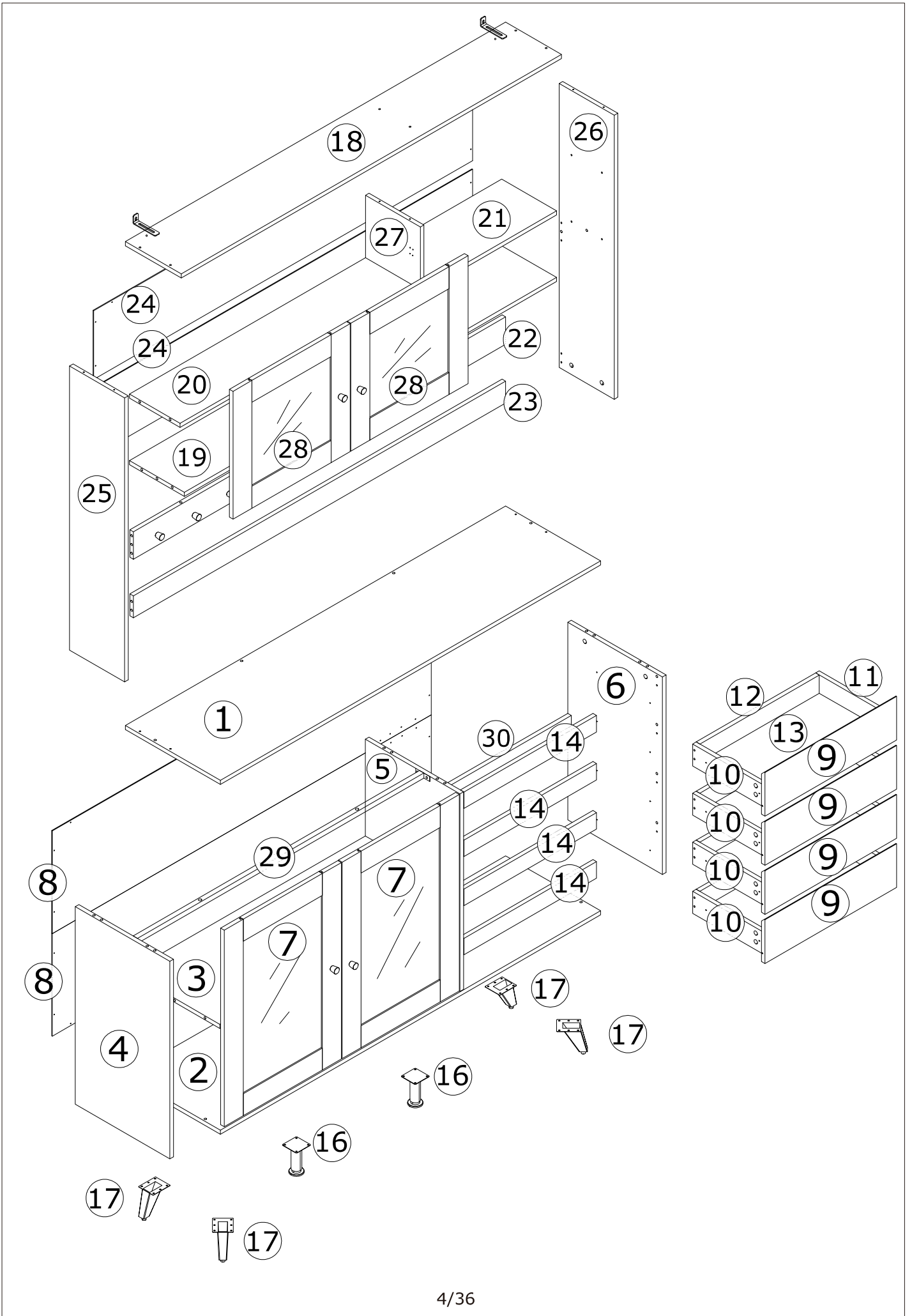
A x 64+1  M5x40	B x 64+1  Ø15x12	C x 8+1  M7x50	D x 155+2  M3.5x14	E x 24+1  Ø8x40	F x 26+1  M5x40
G x 7  M4	H x 7+1  M4x20	I x 8  DW	J x 40  Ø1.5x15	K x 2  M8xØ45	L x 2 
M x 2  15x10	N x 40  15x10	O x 2+1  M6x30	P x 4+1  M6x12	x1  #4	

15

x 4



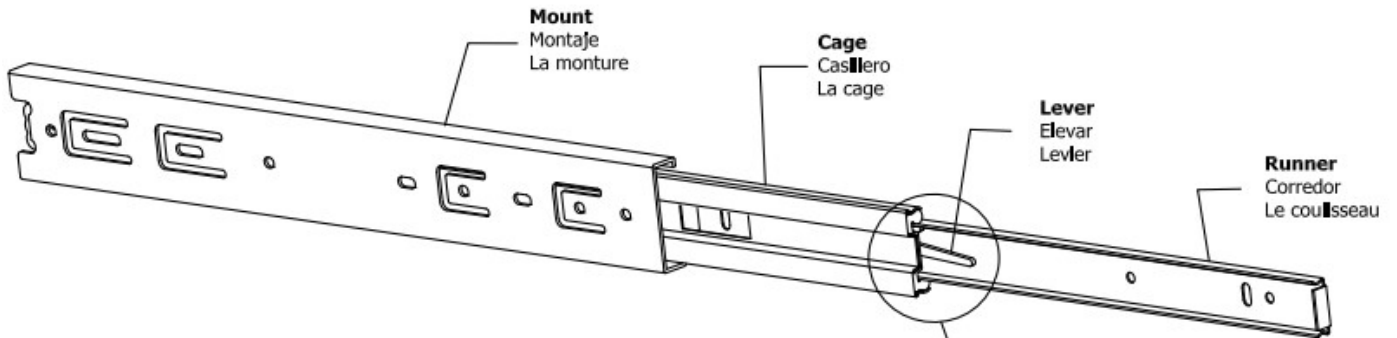
14" 3508



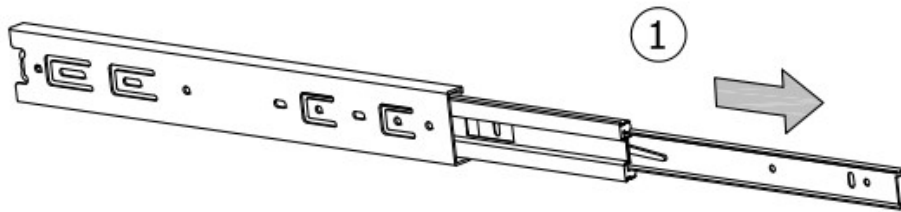
**Slides Must Be Separated Before Assembly.
After Separated, Set Aside Until Needed for Assembly.**

Las diapositivas deben separarse antes del montaje.
Después de la separación, déjelo a un lado hasta que sea necesario.

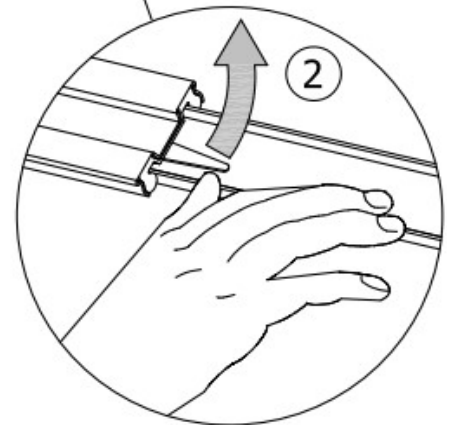
Les glissières doivent être séparées avant l'assemblage.
Après la séparation, mettez de côté jusqu'au moment de l'assemblage. —



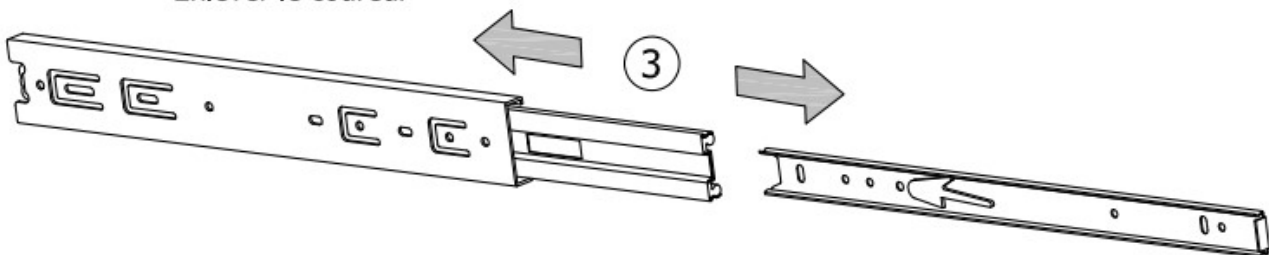
STEP 1: Extend Slide
Extender la diapositiva
Extendre la diapositive



STEP 2: Push Lever UP
Empujar hacia arriba
Lever le levier

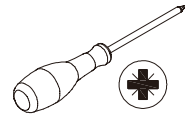


STEP 3: Remove Runner
Quitar el corredor
Enlever le coureur

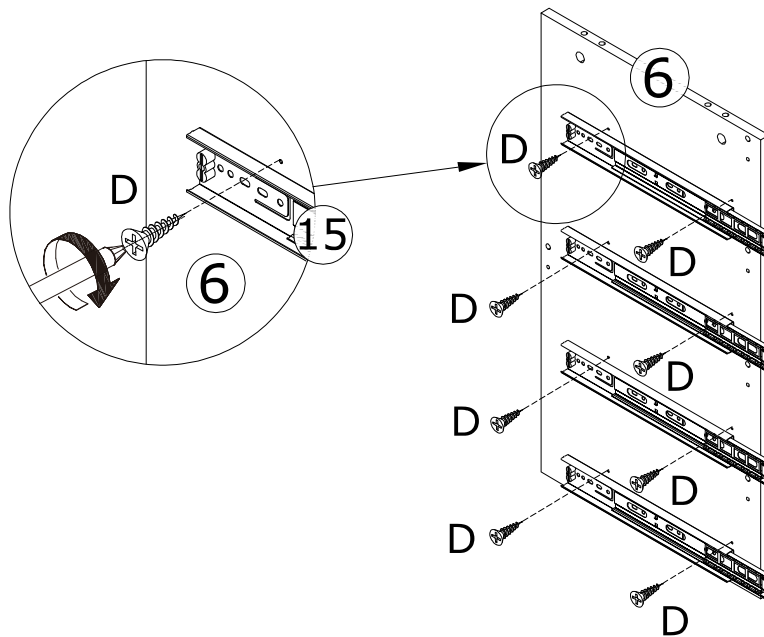
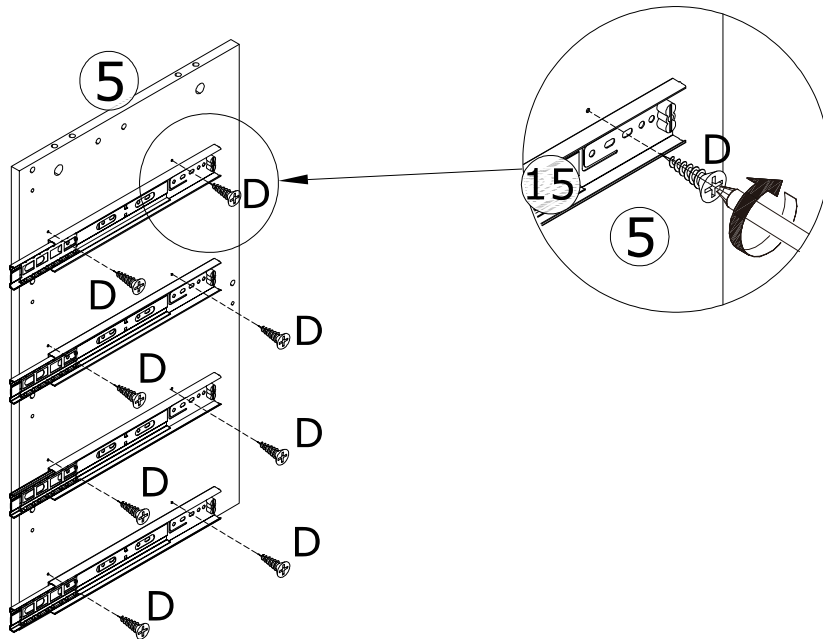
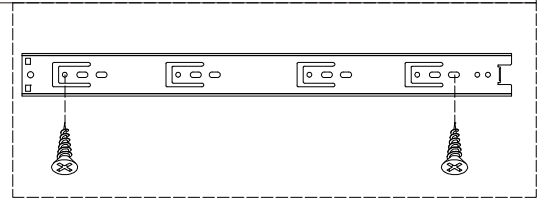


1

D x 16
M3.5x14

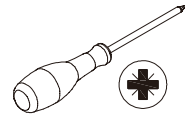


Separate slides into 2 parts.
Fix slide rail 15 to board 5 and 6 with screw(D) as shown.
Please pay attention to the holes where the accessories are inserted.

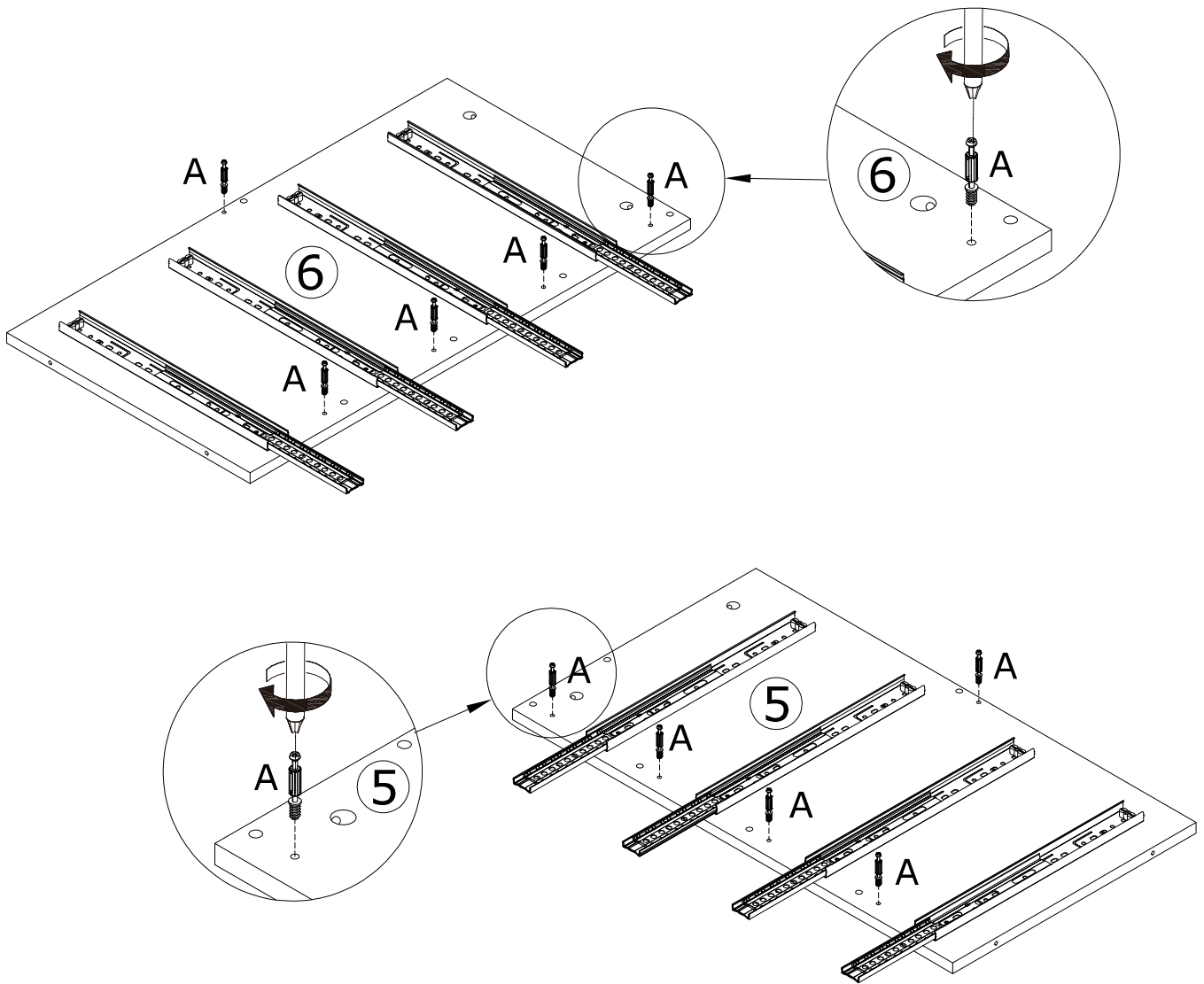
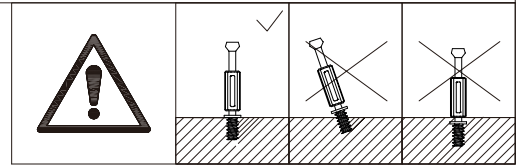


2



A x 10
M5x40

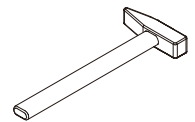
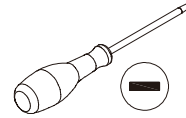


Insert quickfit screw(A) into corresponding holes in board 5 and 6 with screwdriver as shown.
Please don't use an electric screwdriver or use force to rotate, may cause crack.

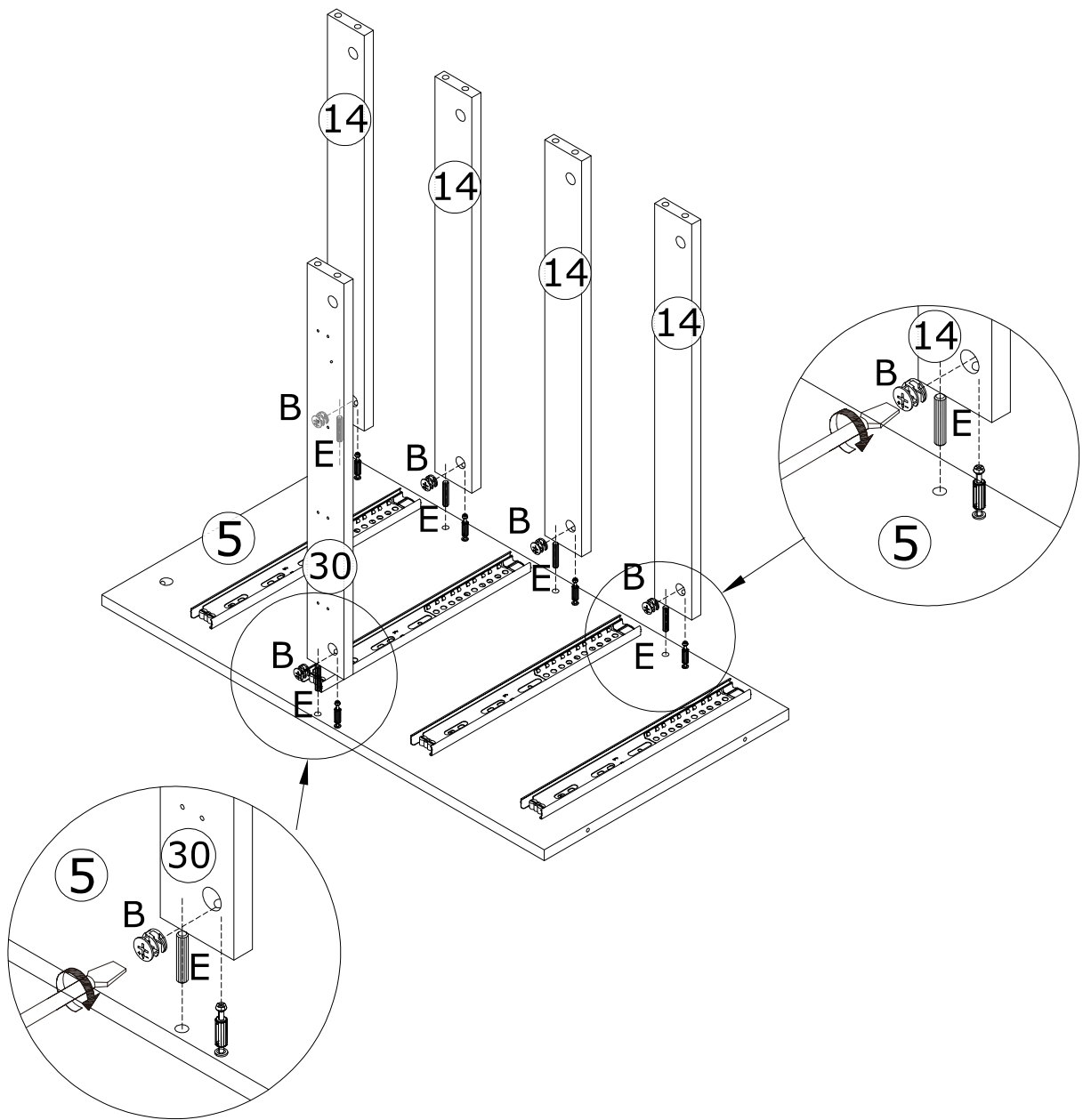
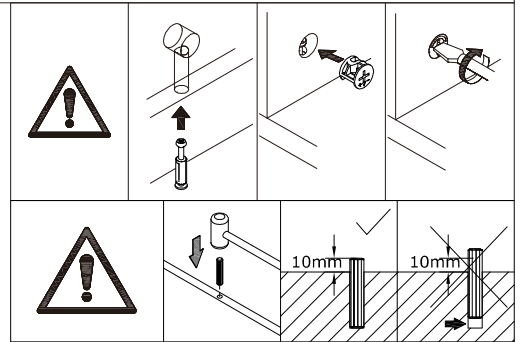


3



B x 5	E x 5
	
Ø15x12	Ø8x40

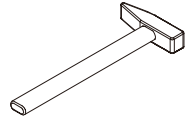
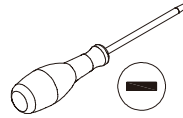


Attach plank 14 and 30 to board 5 with wooden dowel(E) and turn cam locks(B) clockwise to tighten as shown.

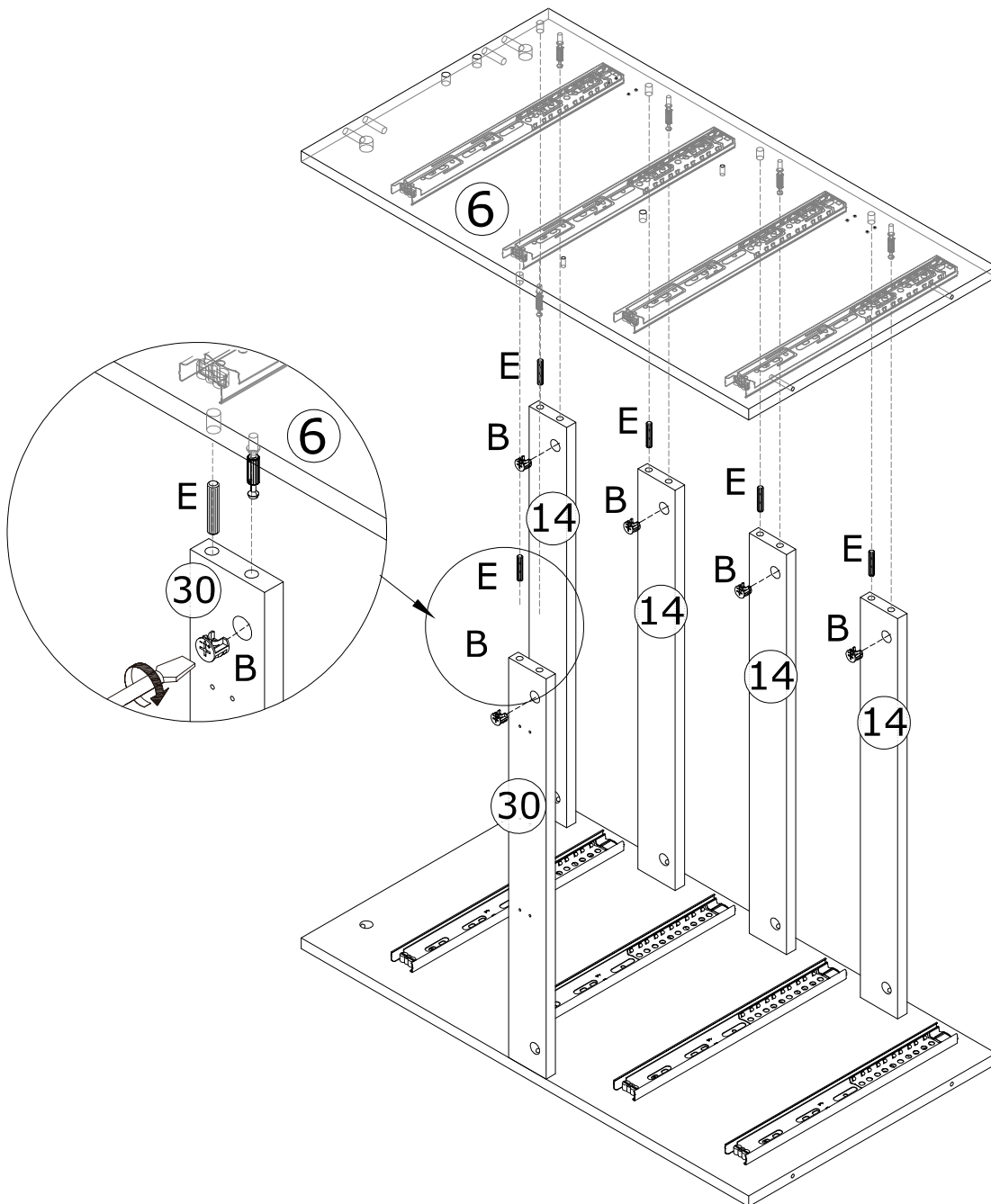
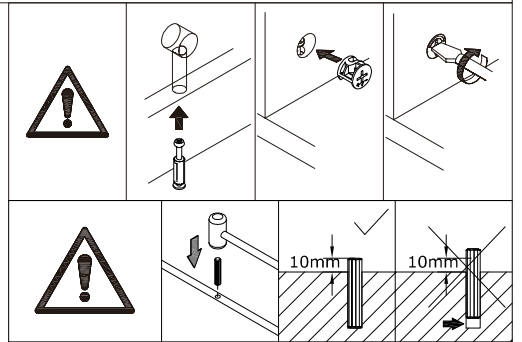


4

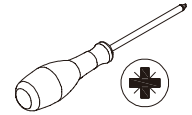
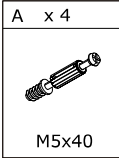
B x 5	E x 5
	
Ø15x12	Ø8x40



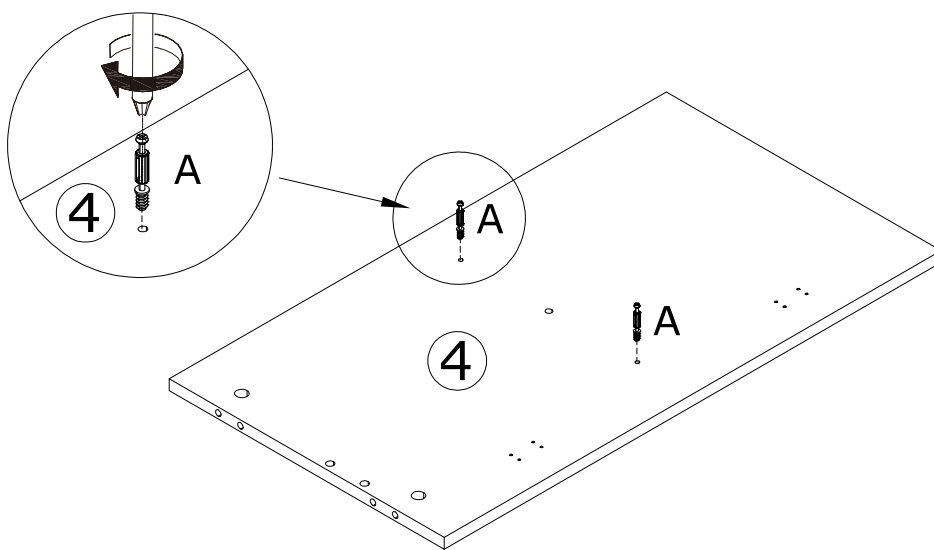
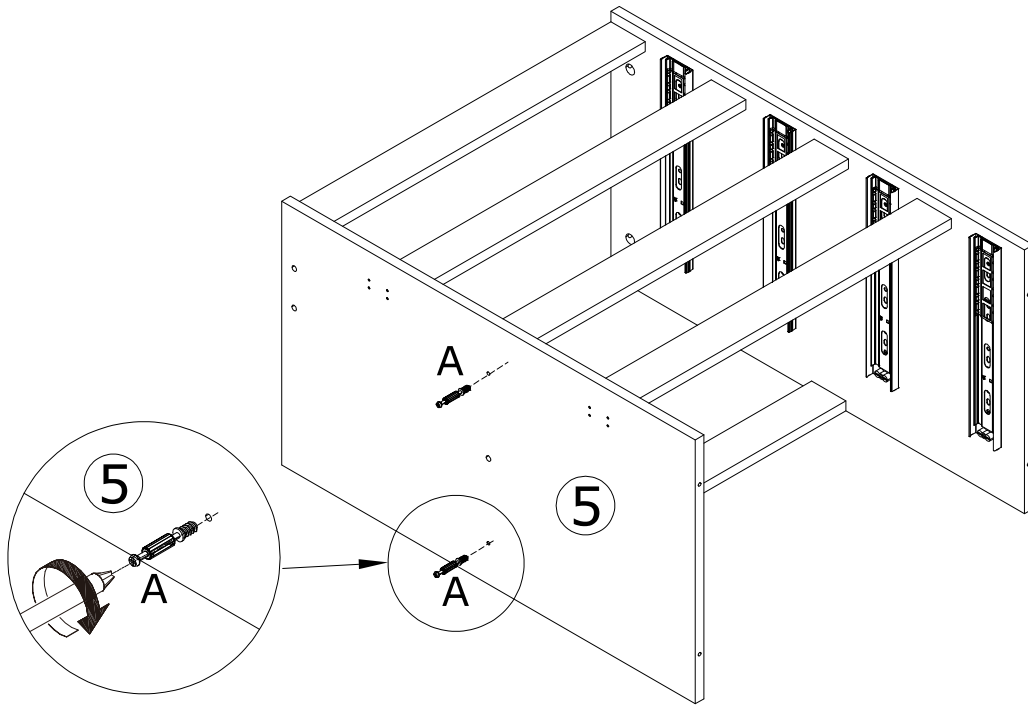
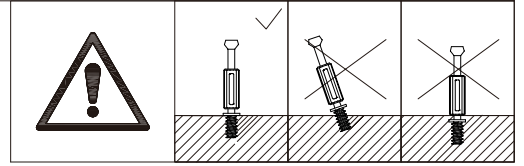
Attach board 6 to the component with wooden dowel(E) and turn cam locks(B) clockwise to tighten as shown.



5

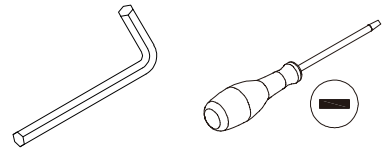


Insert quickfit screw(A) into corresponding holes in board 5 and 4 with screwdriver as shown.

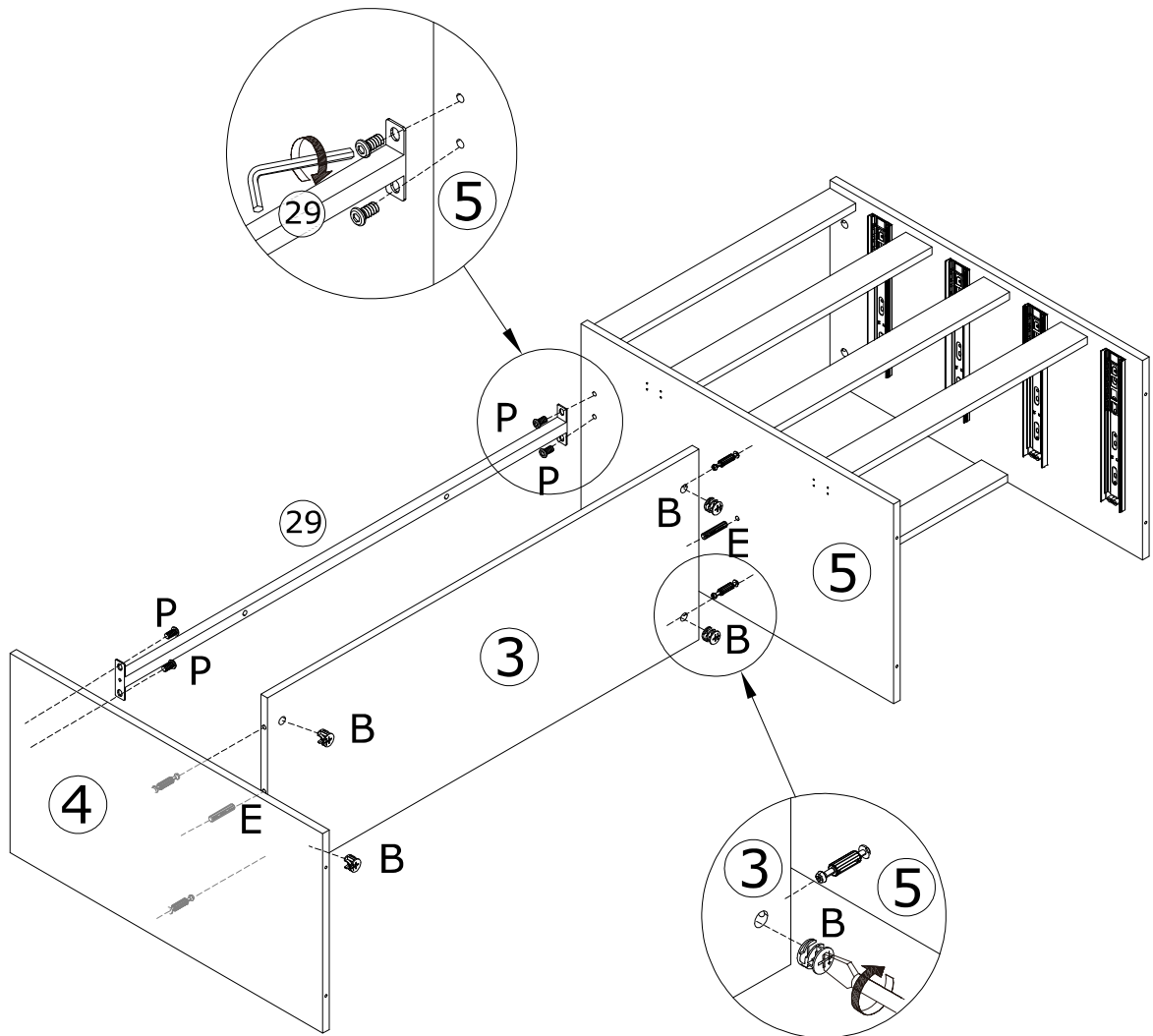
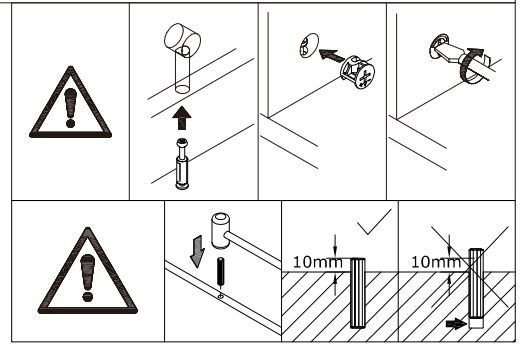


6

B x 4	E x 2	P x 4
Ø15x12	Ø8x40	M6x12

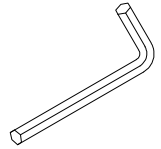


Connect board 4 and 5 to board 3 with wooden dowel(E) and turn cam locks(B) clockwise to tighten as shown.
 Connect board 4 and 5 with bar 29 using screw(P) as shown.

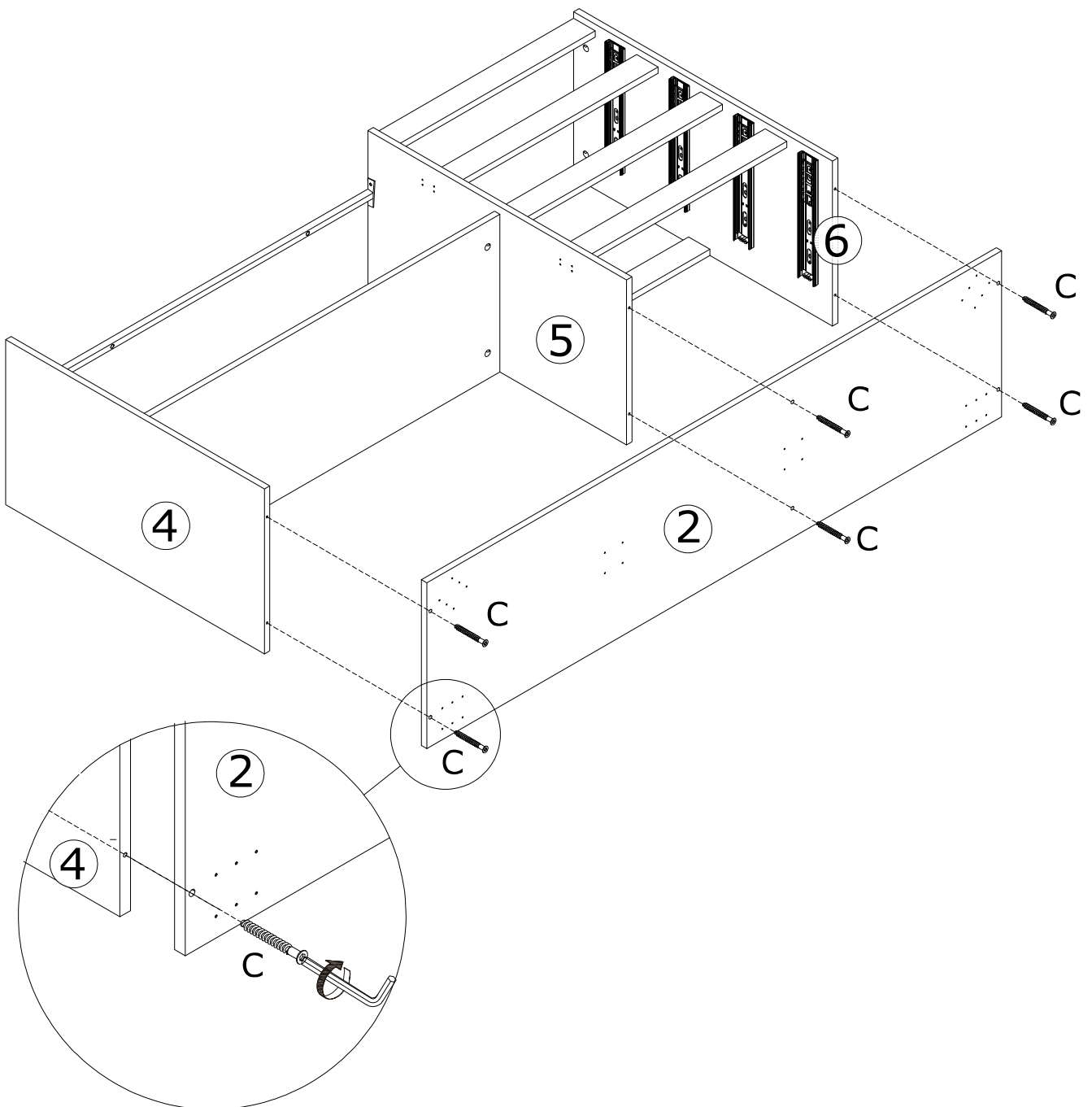


7

C x 6
M7x50

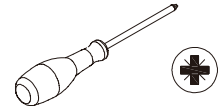


Attach board 2 to board 4,5,6 with screw(C) as shown.

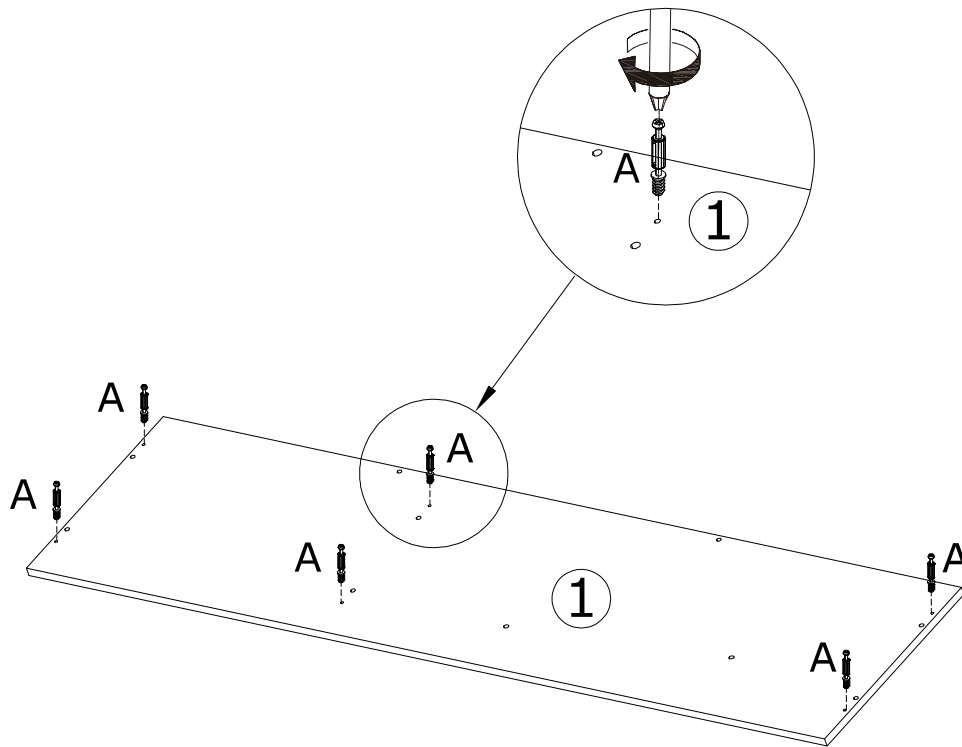
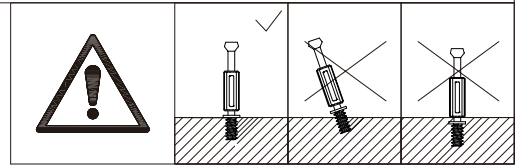


8




A x 6
M5x40

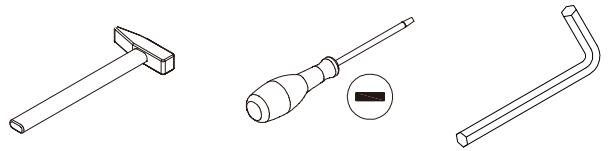


Insert quickfit screw(A) into corresponding holes in board 1 as shown.

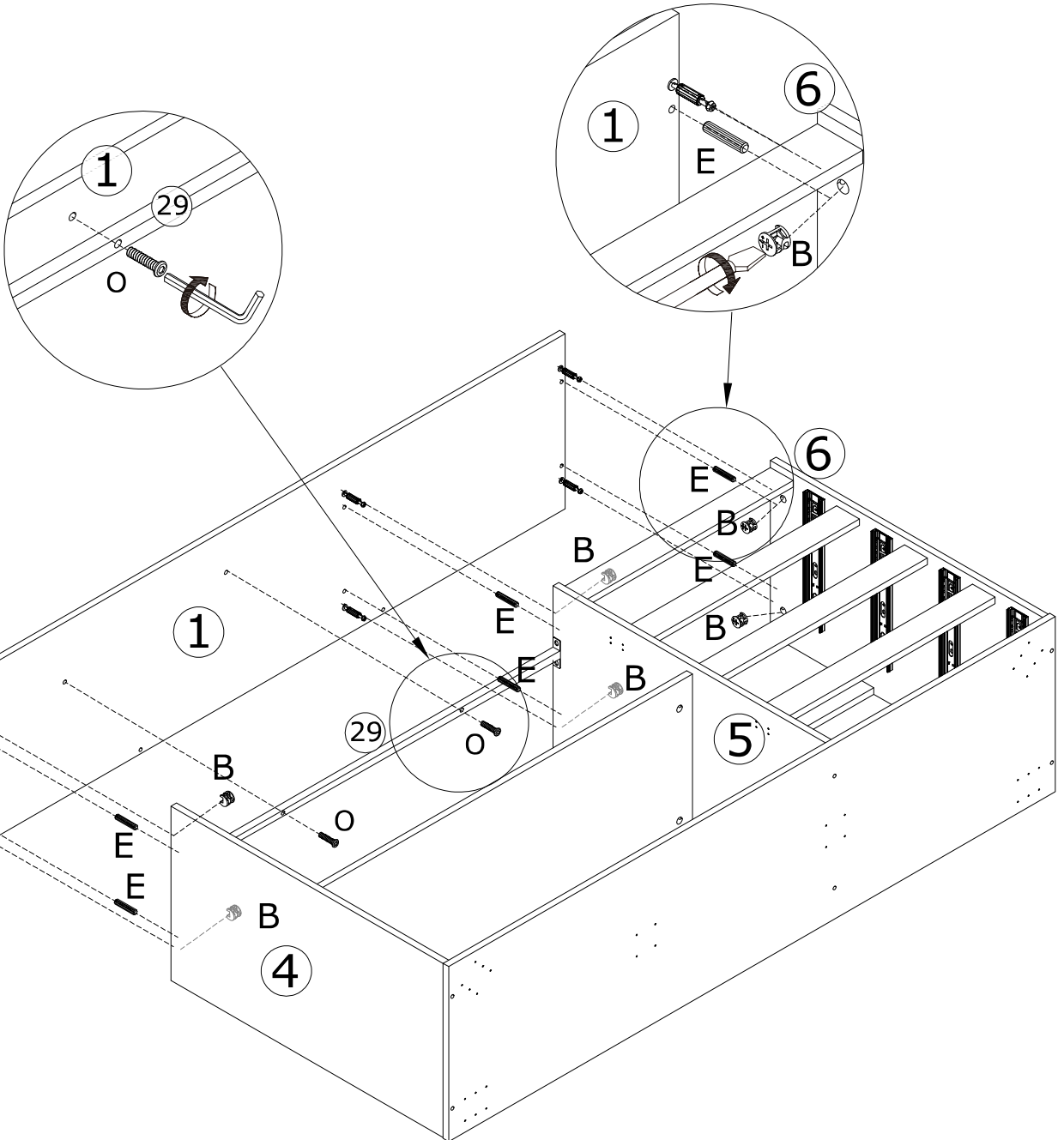
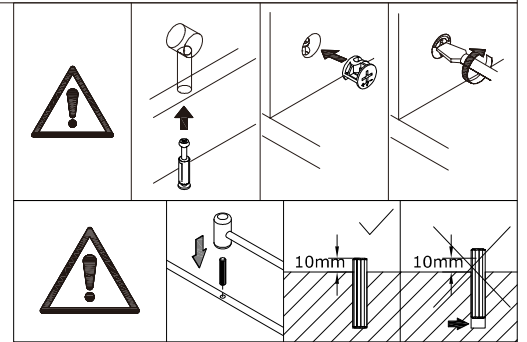


9



B x 6	E x 6	O x 2
		
Ø15x12	Ø8x40	M6x30

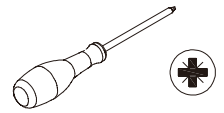


Cover board 1 to the assembled unit with wooden dowel(E), and turn cam locks(B) clockwise to tighten as shown.

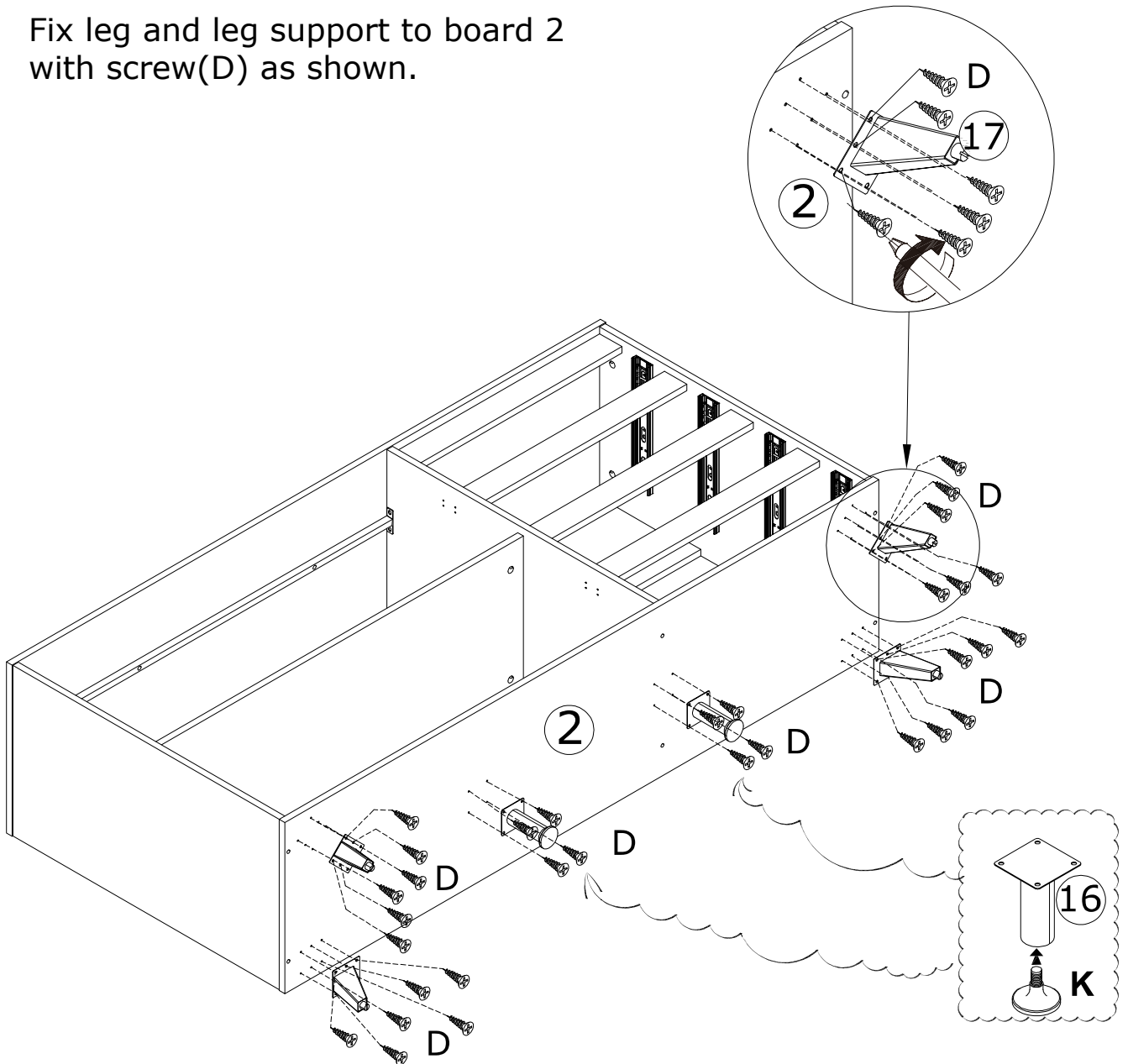


10

D x 32	K x 2
	
M3.5x14	M8xØ45



Fix leg and leg support to board 2 with screw(D) as shown.

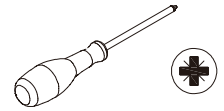


11

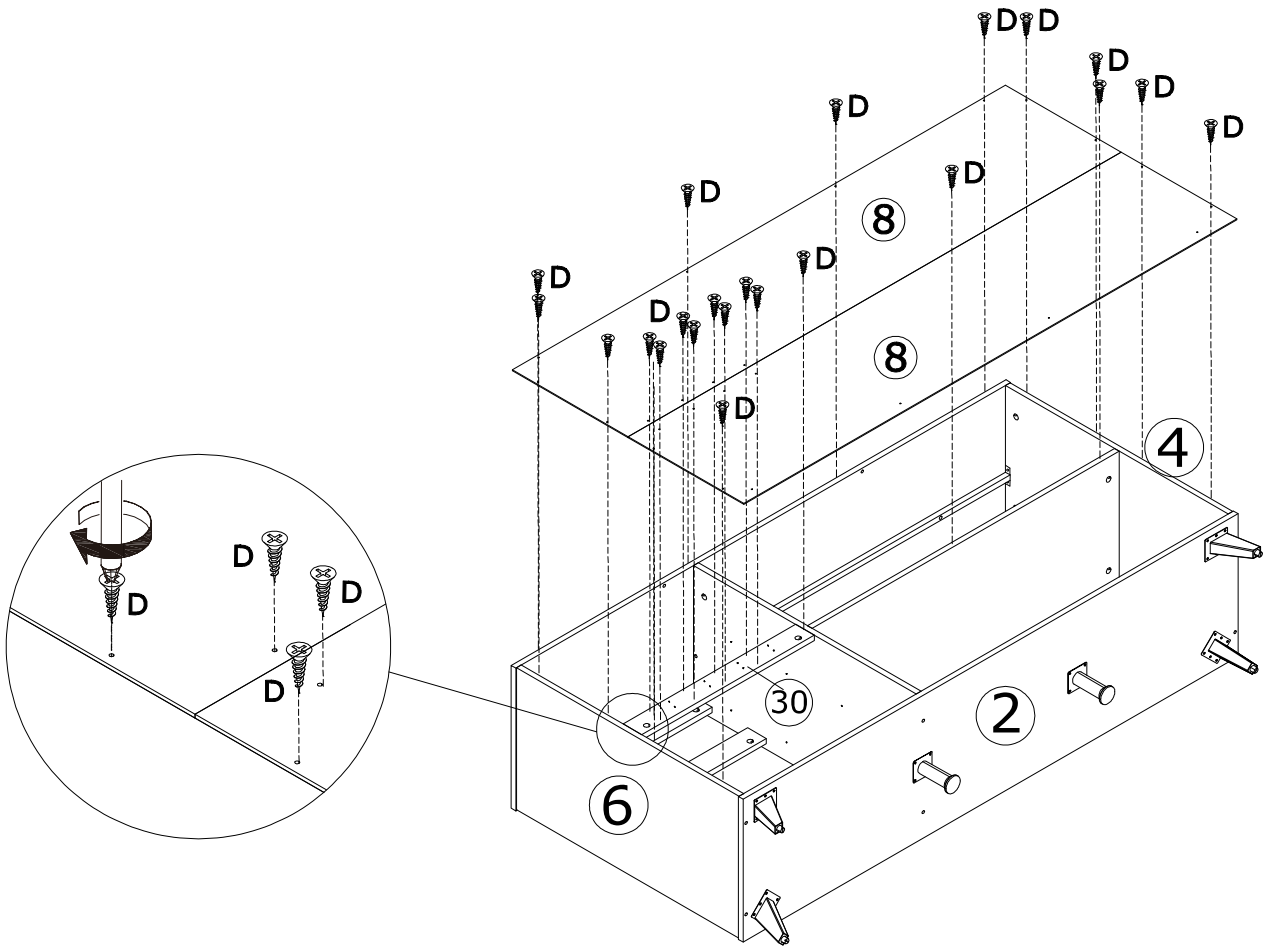
D x 24



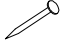

M3.5x14

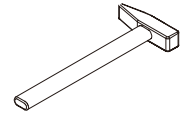


Fix back board 8 to the assembled unit with screw(D) as shown.

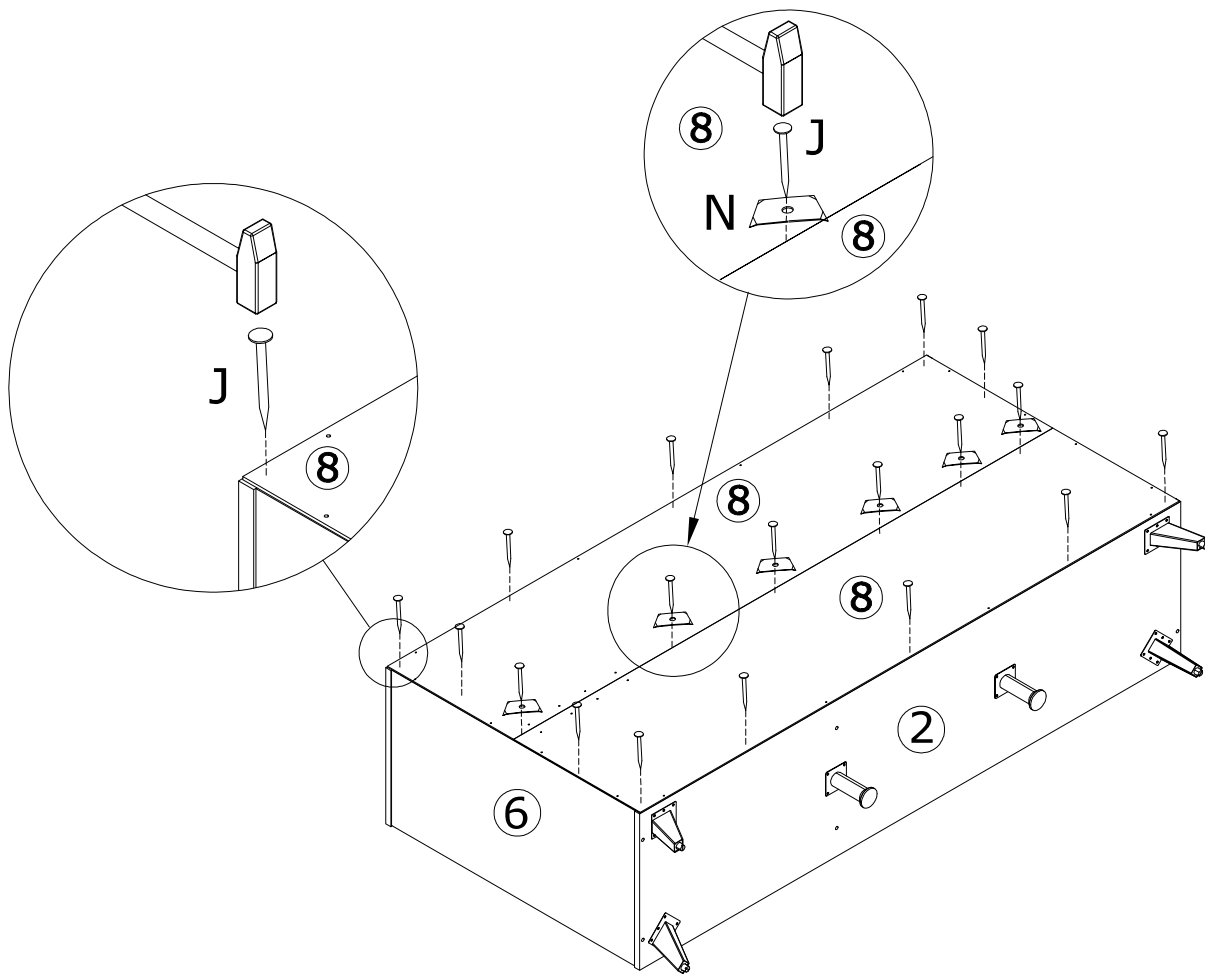


12



J x 20	N x 20
	
Ø1.5x15	15x10

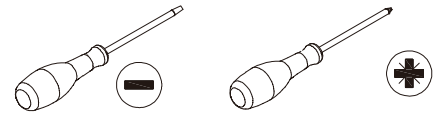


Reinforce the back board with part(N) and nail(J) as shown.

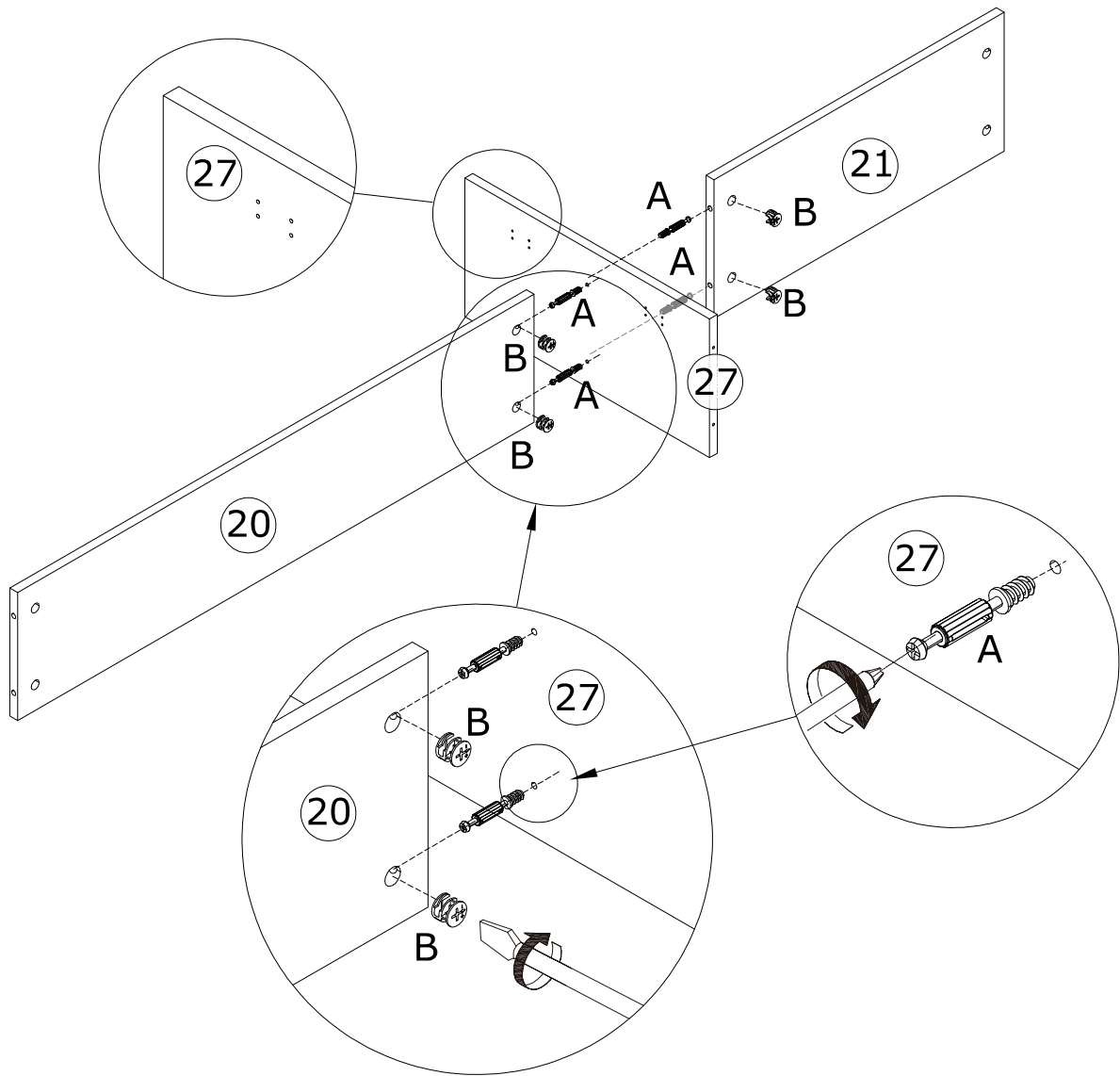
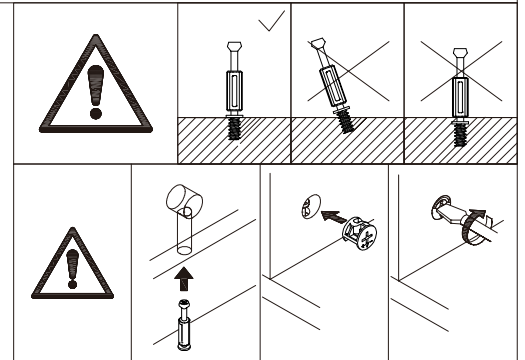


13




A x 4	B x 4
	
M5x40	Ø15x12

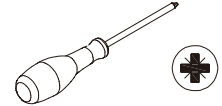
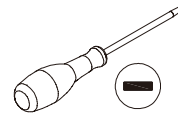


Insert quickfit screw(A) into board 27 at first, attach board 20 and 21 to board 27 and turn cam locks(B) clockwise to tighten as shown.

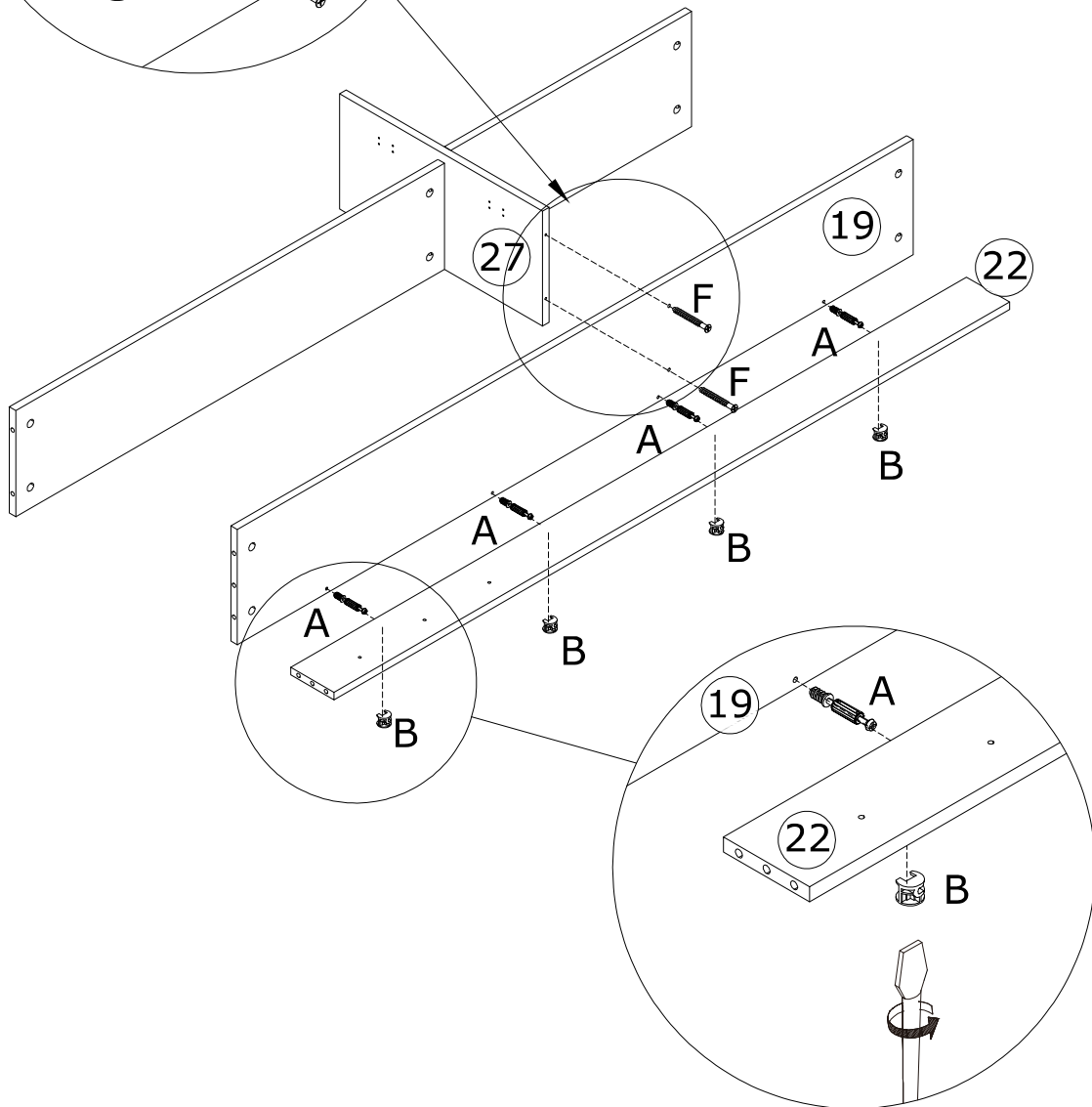
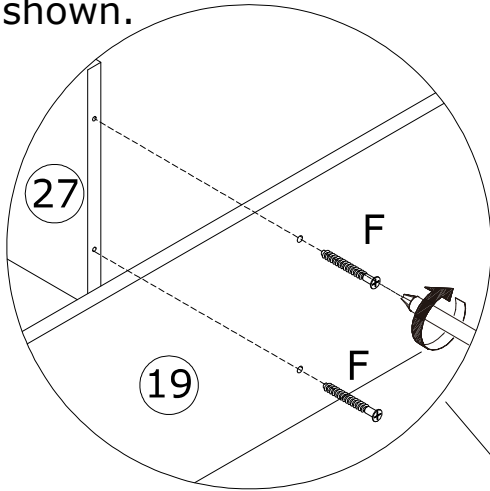
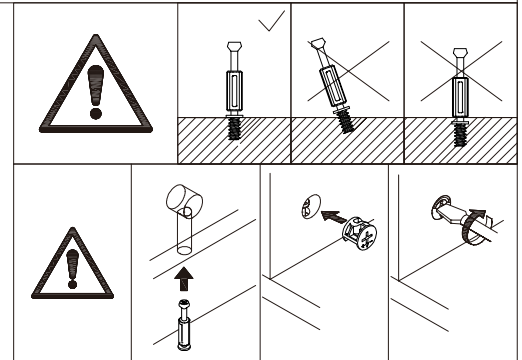


14

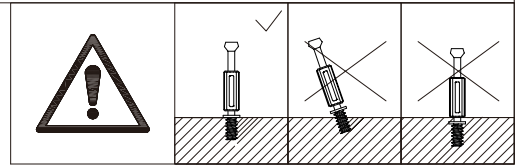
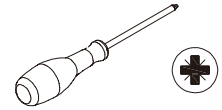
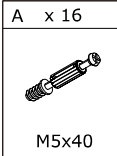
A x 4	B x 4	F x 2
		
M5x40	Ø15x12	M5x40



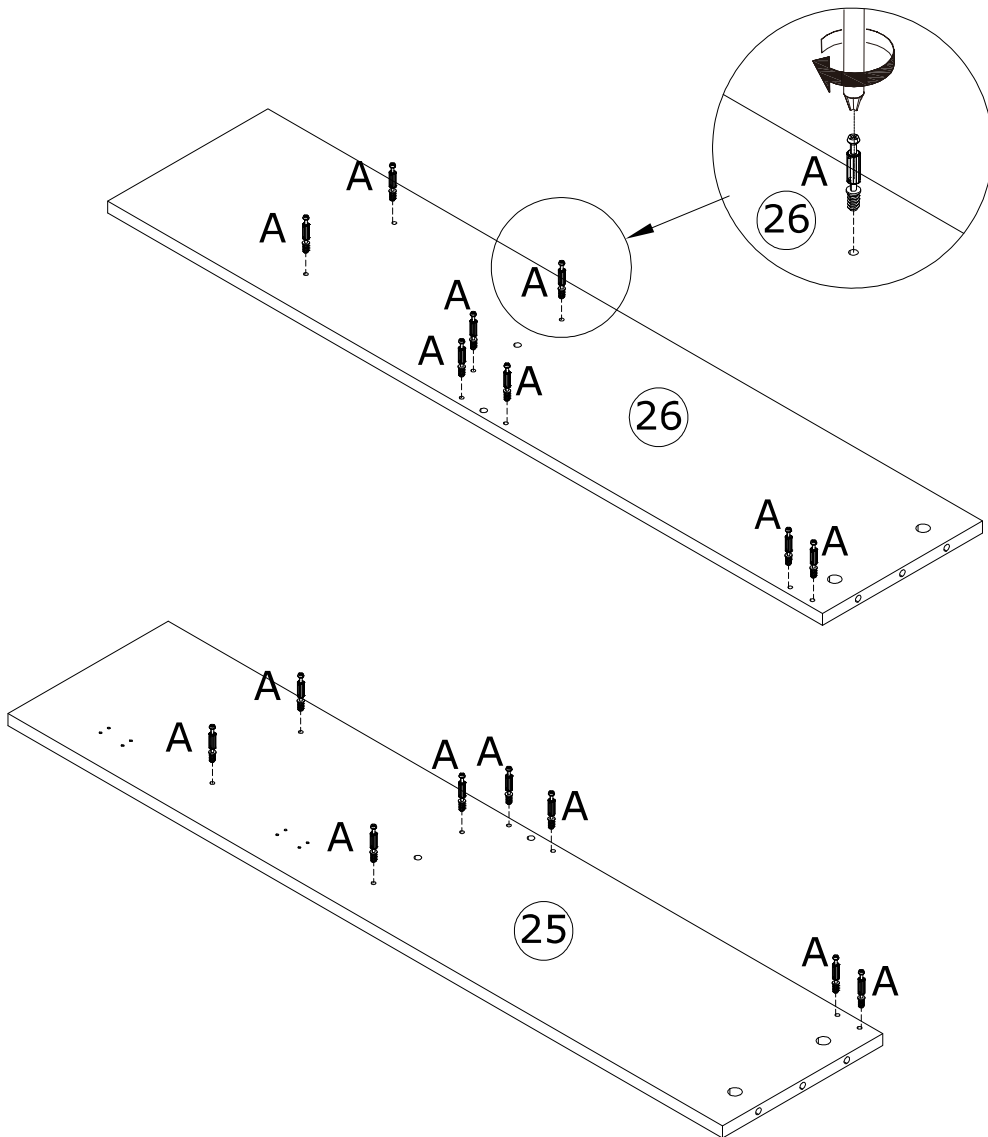
Insert quickfit screw(A) into board 19 at first,attach board 19 to board 22 and turn cam locks(B) clockwise to tighten as shown. Attach board 19 to board 27 with screw(F) as shown.





15

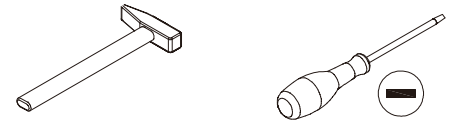


Insert quickfit screw(A) into corresponding holes in board 25 and 26 with screwdriver as shown.

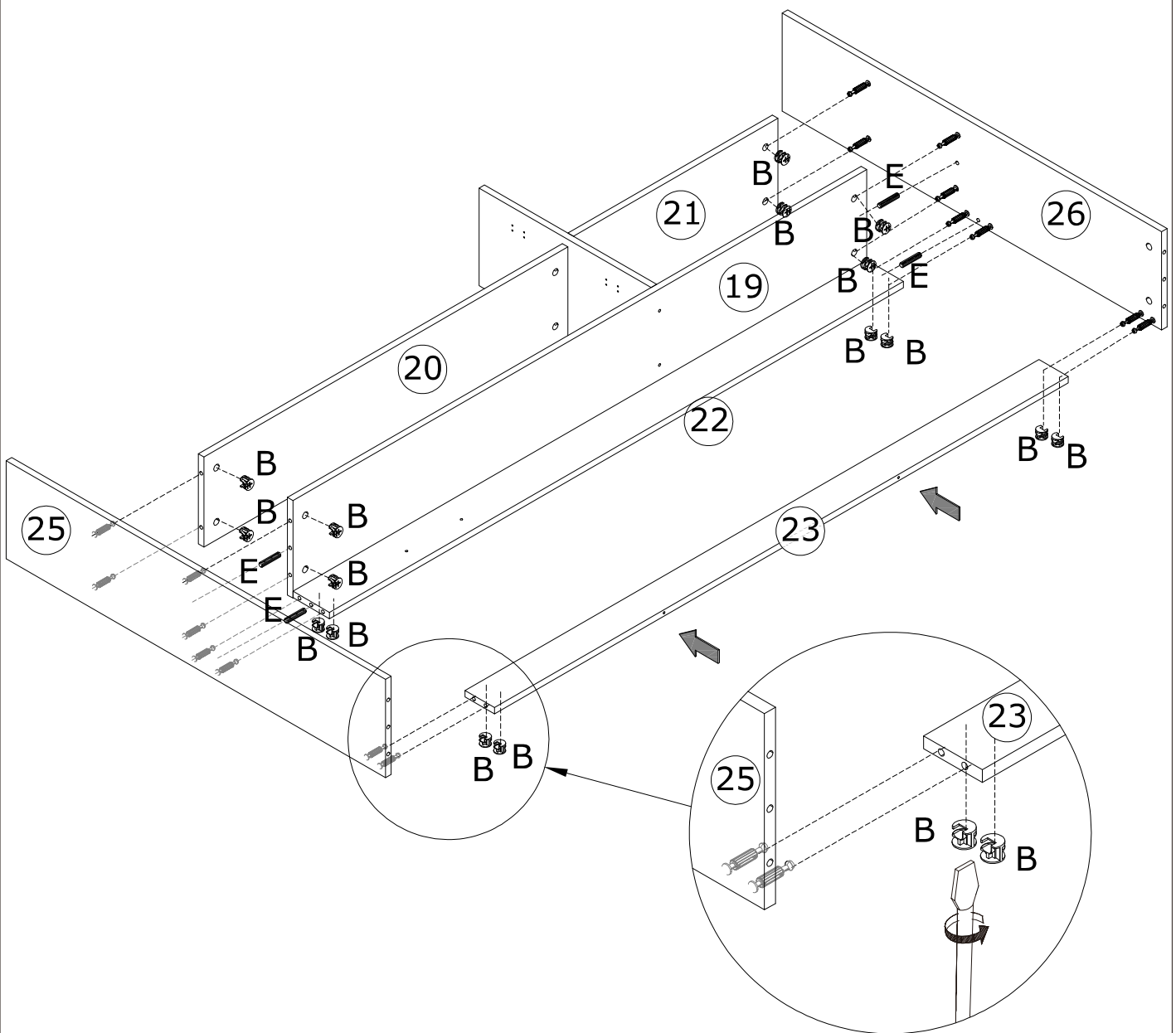
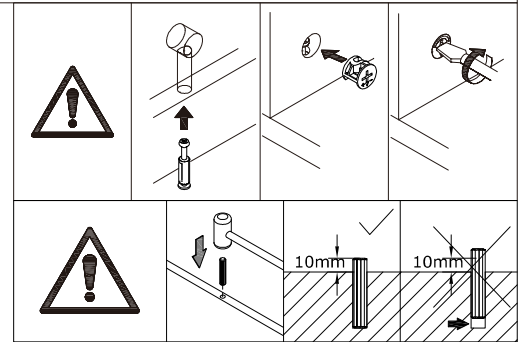


16

B x 16	E x 4
	
Ø15x12	Ø8x40

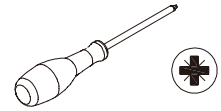


Attach board 25 and 26 to the component and board 23 with wooden dowel(E), and turn cam locks(B) clockwise to tighten as shown.

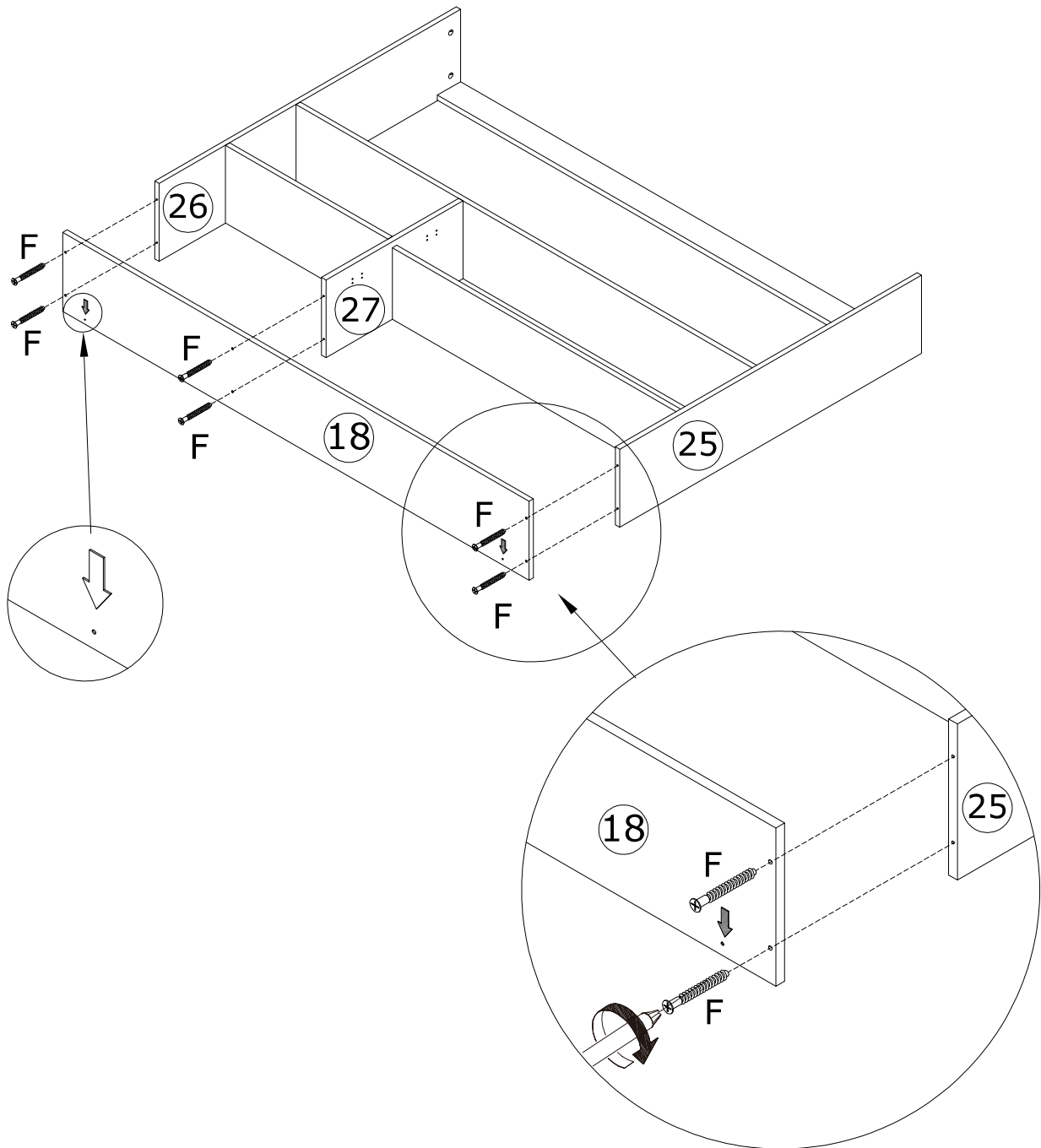


17

F x 6
M5x40

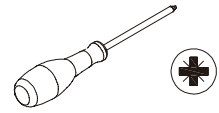


Attach board 18 to board 26,27,25 with screw(F) as shown.

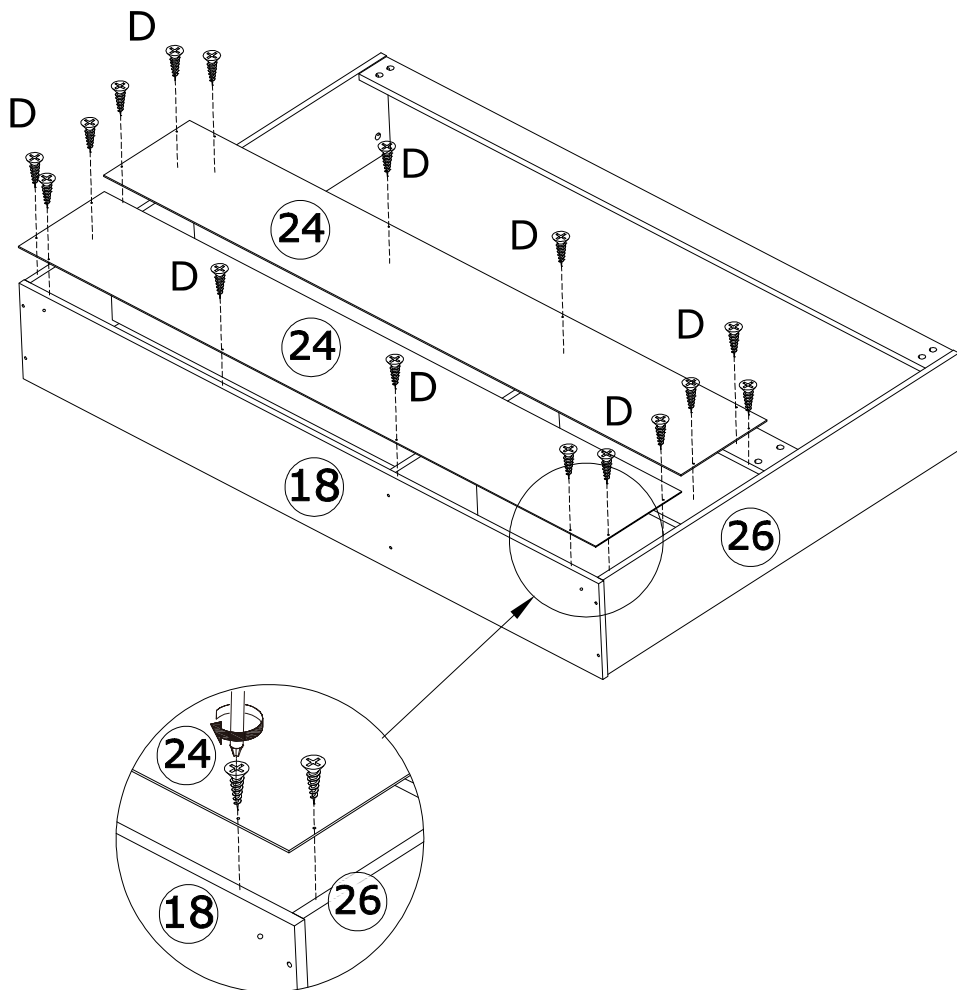


18

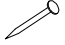

D x 16
M3.5x14

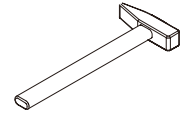


Fix back board 24 to the component with screw(D) as shown.

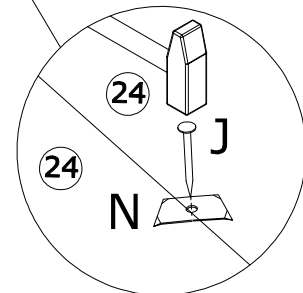
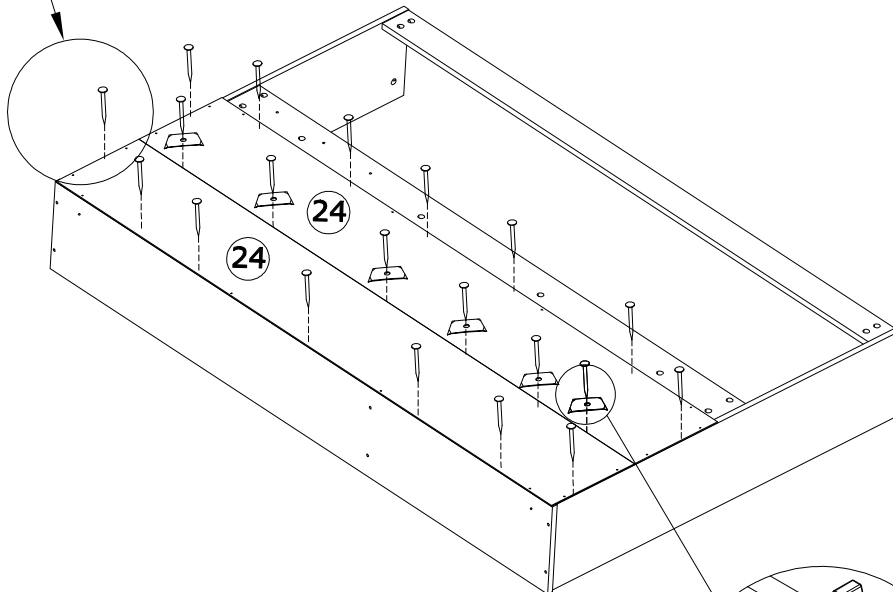
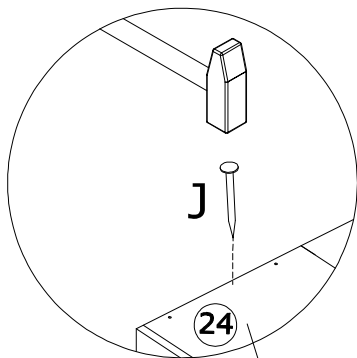


19



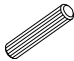



J x 20	N x 20
	
Ø1.5x15	15x10

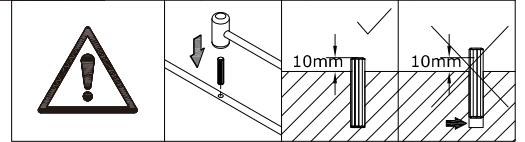
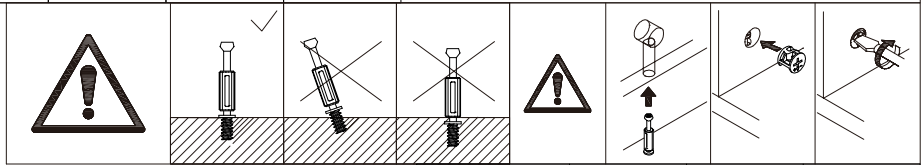
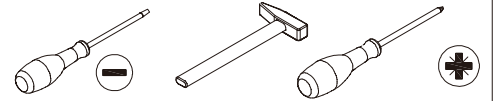


Reinforce the back board with part(N) and nail(J) as shown.

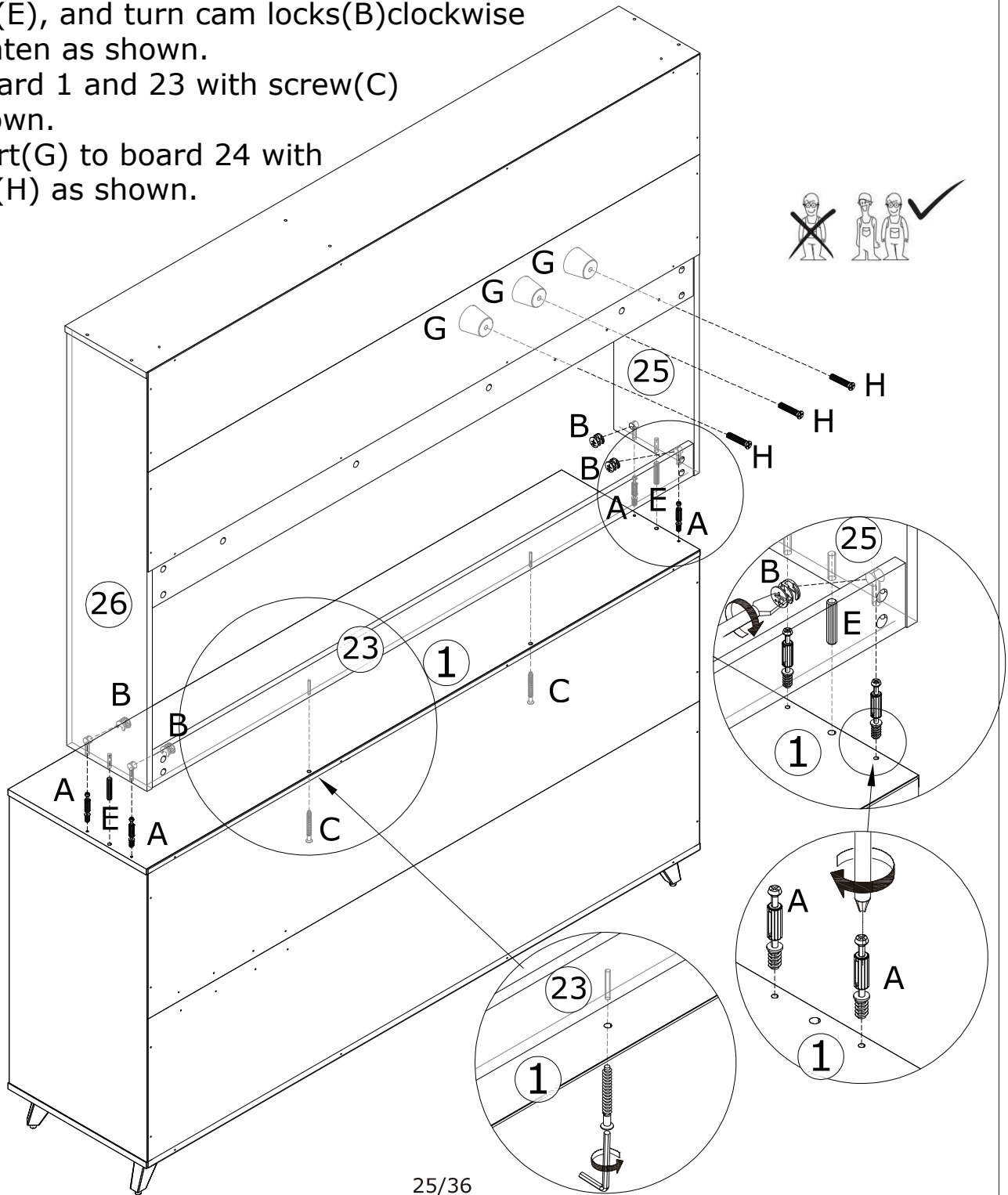
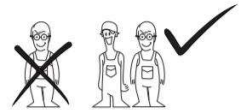


20





A x 4	B x 4	E x 2	C x 2	G x 3	H x 3
					
M5x40	Ø15x12	Ø8x40	M7x50	M4	M4x20

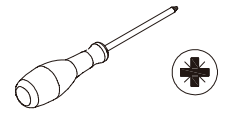


Insert quickfit screw(A) into corresponding holes in board 1 with screwdriver as shown. Attach both 2 components with wooden dowel(E), and turn cam locks(B) clockwise to tighten as shown. Fix board 1 and 23 with screw(C) as shown. Fix part(G) to board 24 with screw(H) as shown.

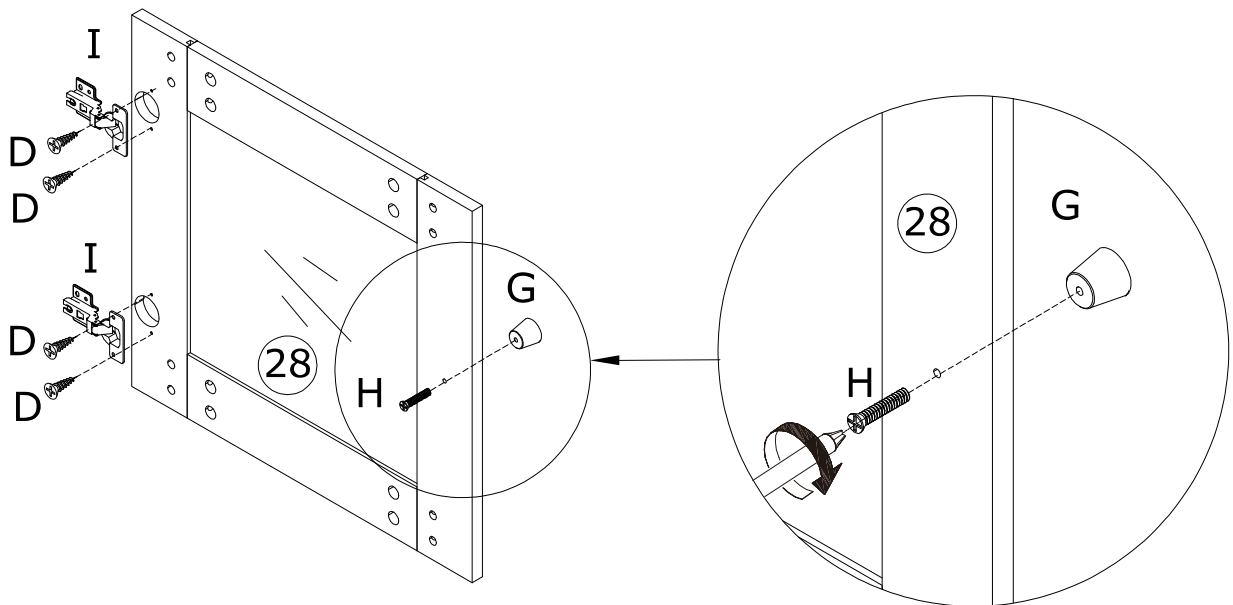
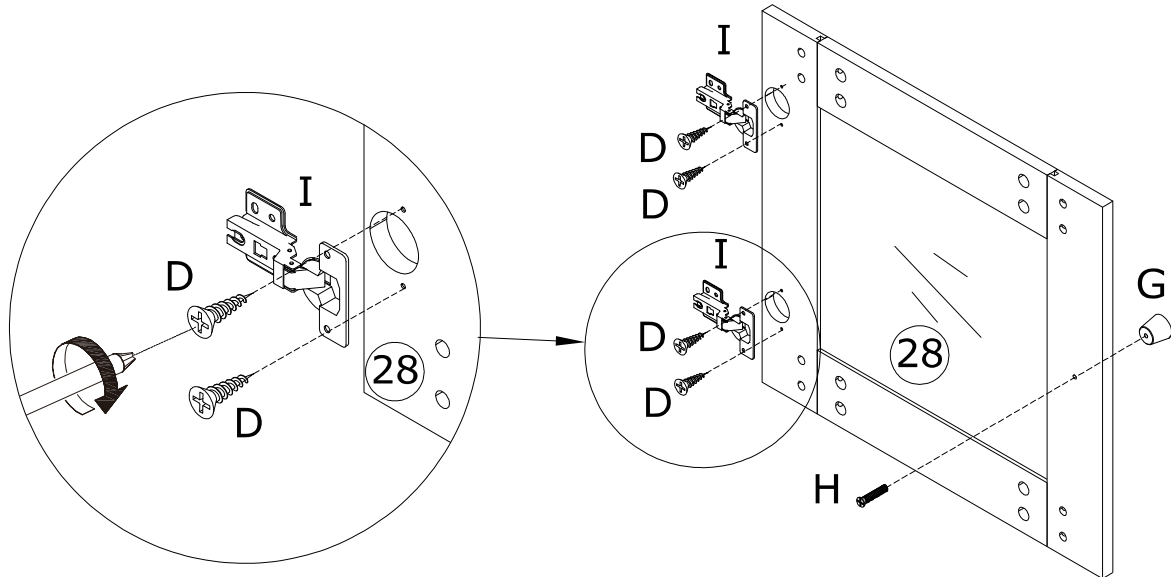


21





D x 8  M3.5x14	G x 2  M4	H x 2  M4x20	I x 4  DW
---	--	---	--

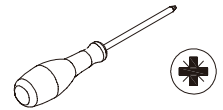


Fix hinge(I) to board 28 with screw(D) as shown.
Fix knob(G) to board 28 with screw(H) as shown.

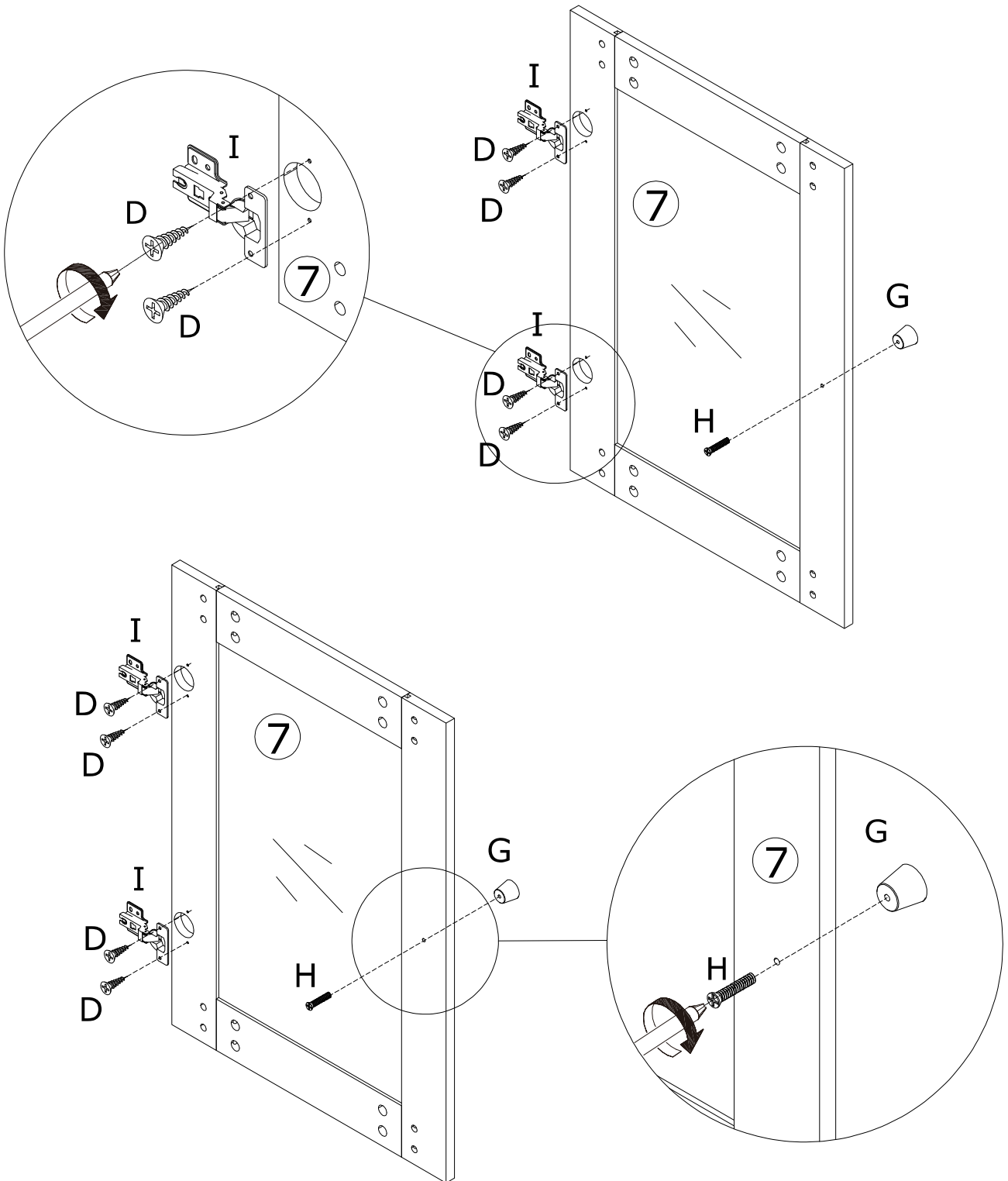


22

D x 8  M3.5x14	G x 2  M4	H x 2  M4x20	I x 4  DW
---	--	---	--

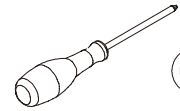


Fix hinge(I) to board 7 with screw(D) as shown.
Fix knob(G) to board 7 with screw(H) as shown.

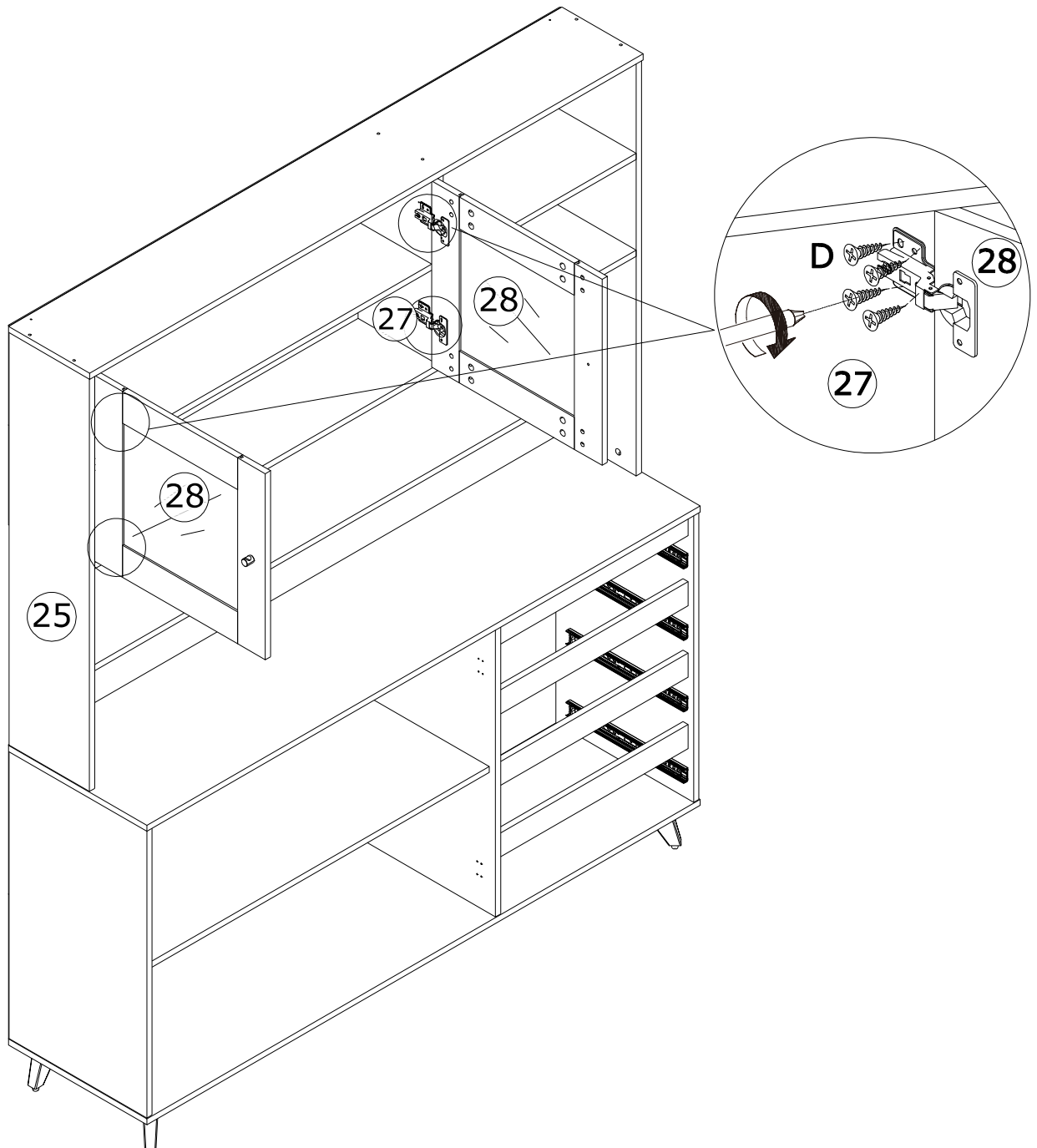


23

D x 16
M3.5x14

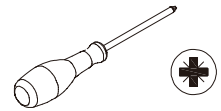


Attach board 28 to the upper cabinet by fixing hinge with screw(D) as shown.

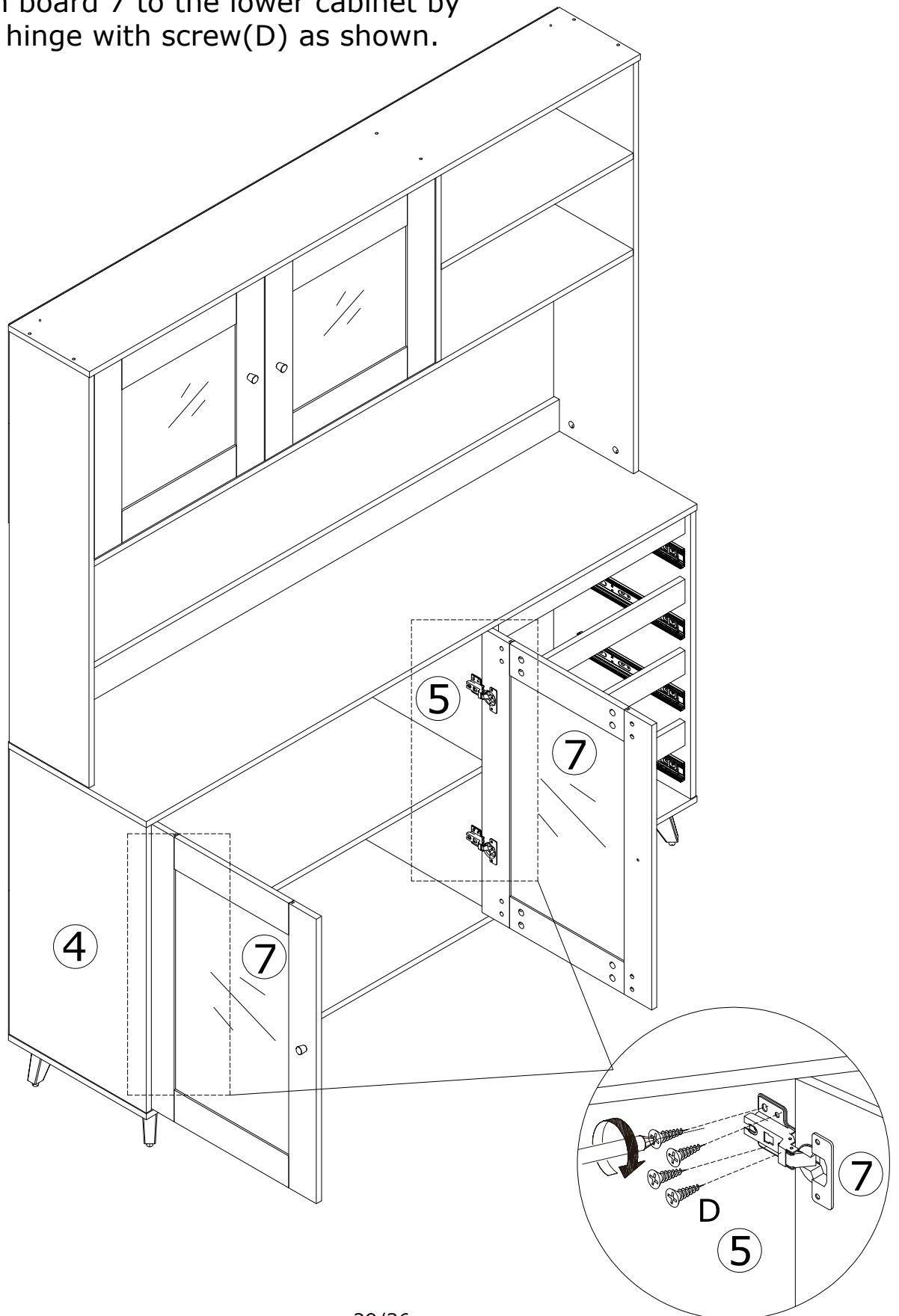


24

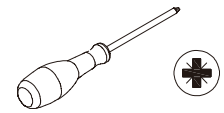
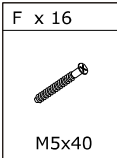
D x 16
M3.5x14



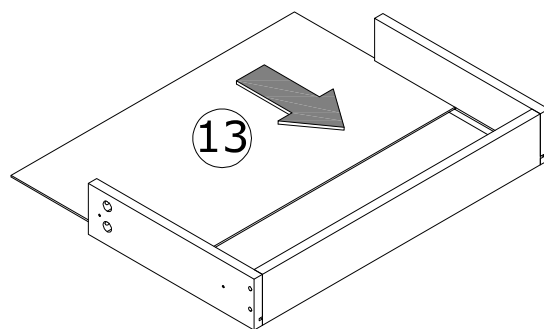
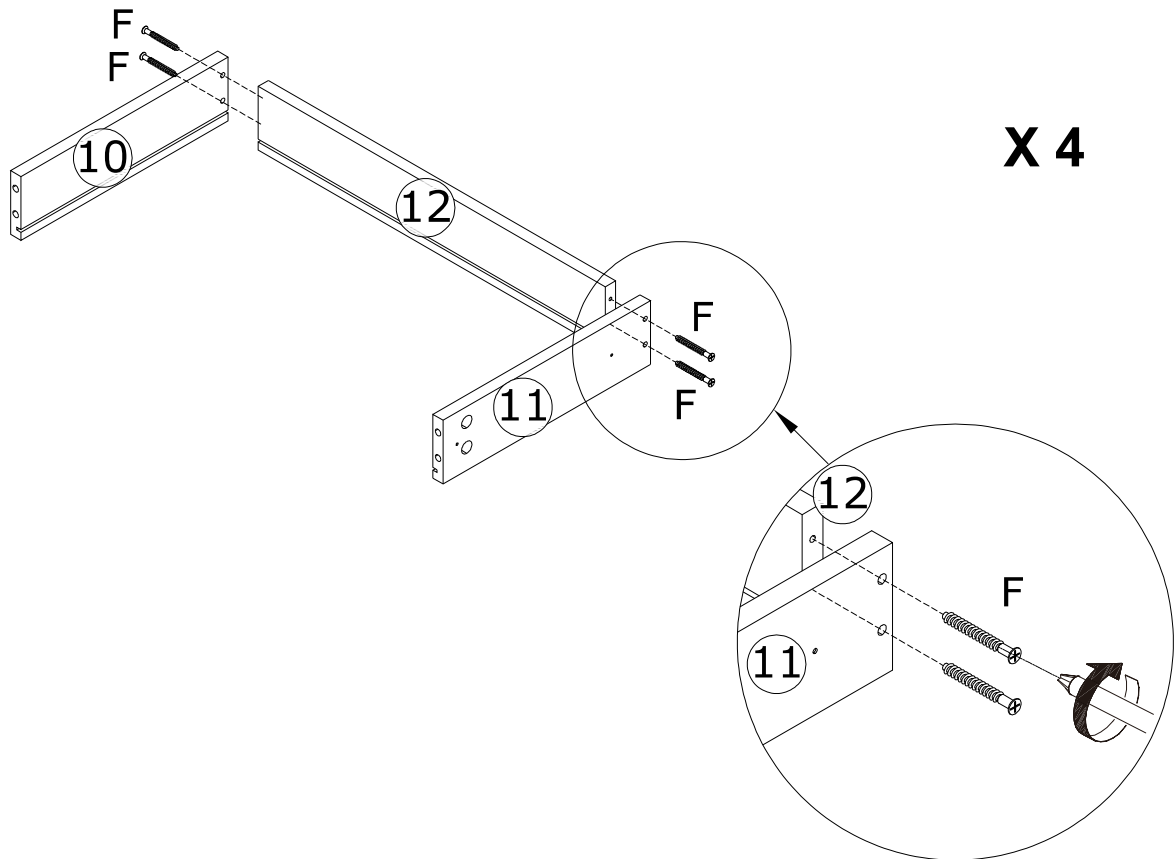
Attach board 7 to the lower cabinet by fixing hinge with screw(D) as shown.





25

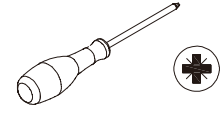
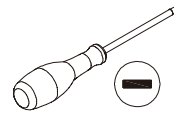


Attach board 10,11 to board 12 with screw(F).
Slide board 13 into available slots.

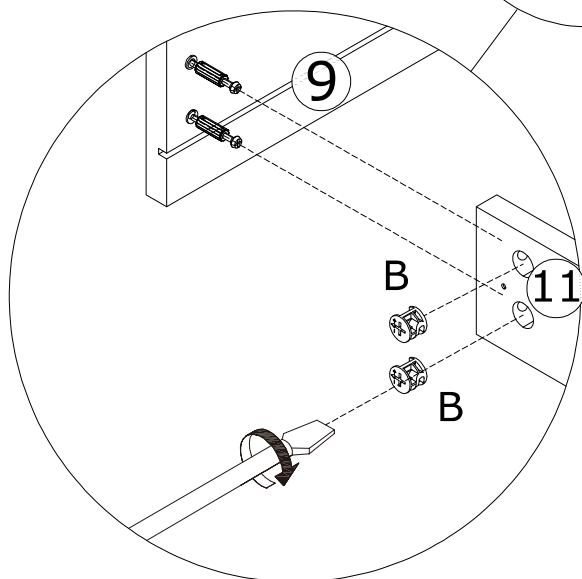
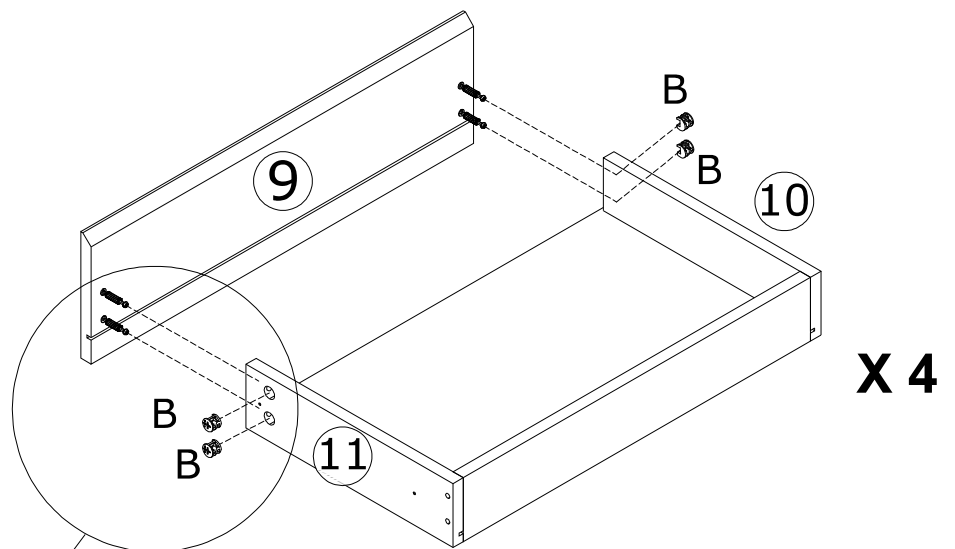
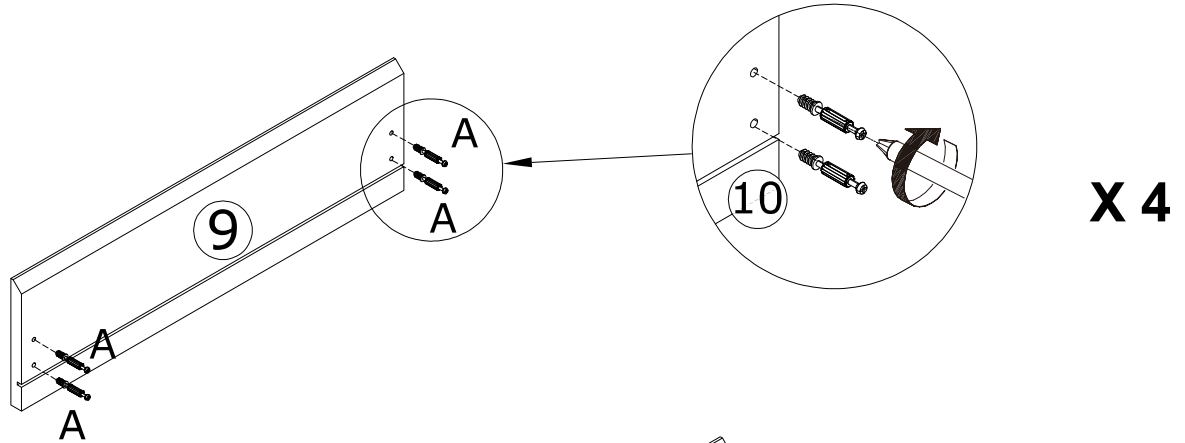


26

A	B
	
M5R4G	Q.65R1S

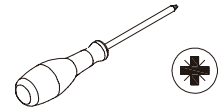


Insert quickfit screw(A) into board 9 as shown.
Attach board 9 to the component and turn cam
locks(B) clockwise to tighten as shown.



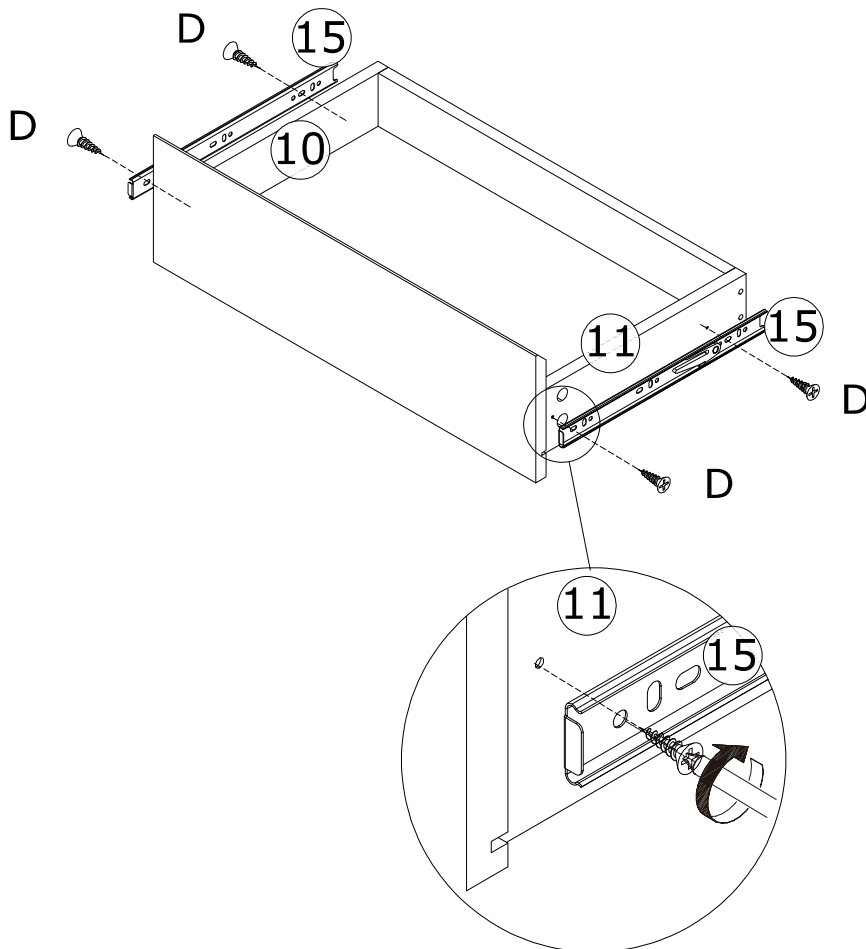
27

D x 16
M3.5x14



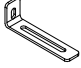



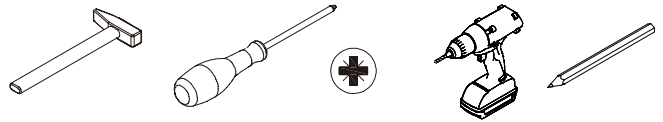
Fix runner 15 to board 10 and 11 respectively with screw (D) as shown.

X 4

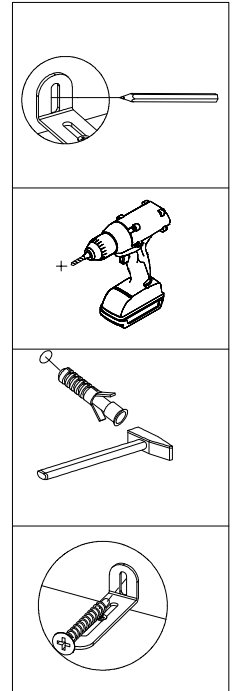
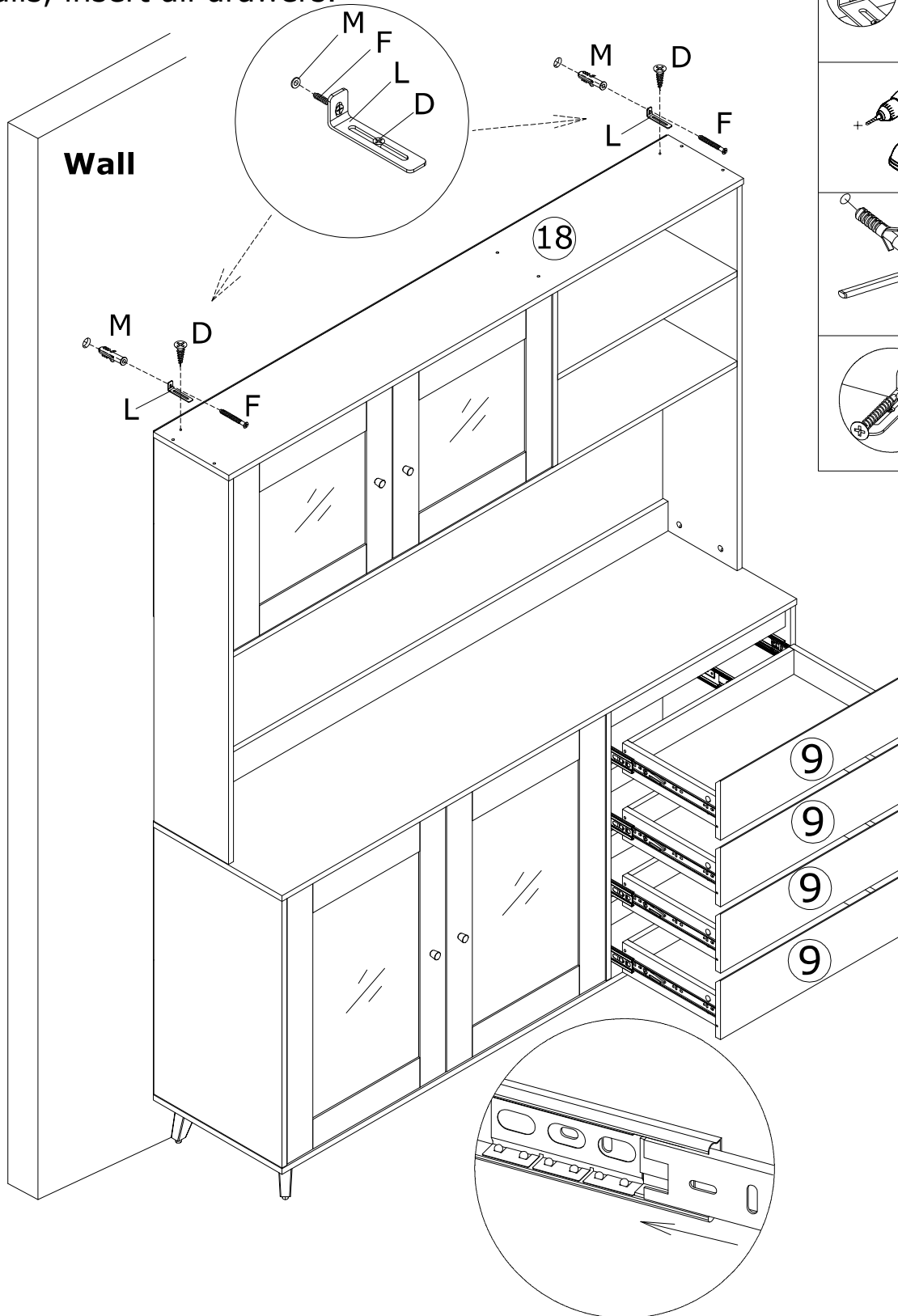


28

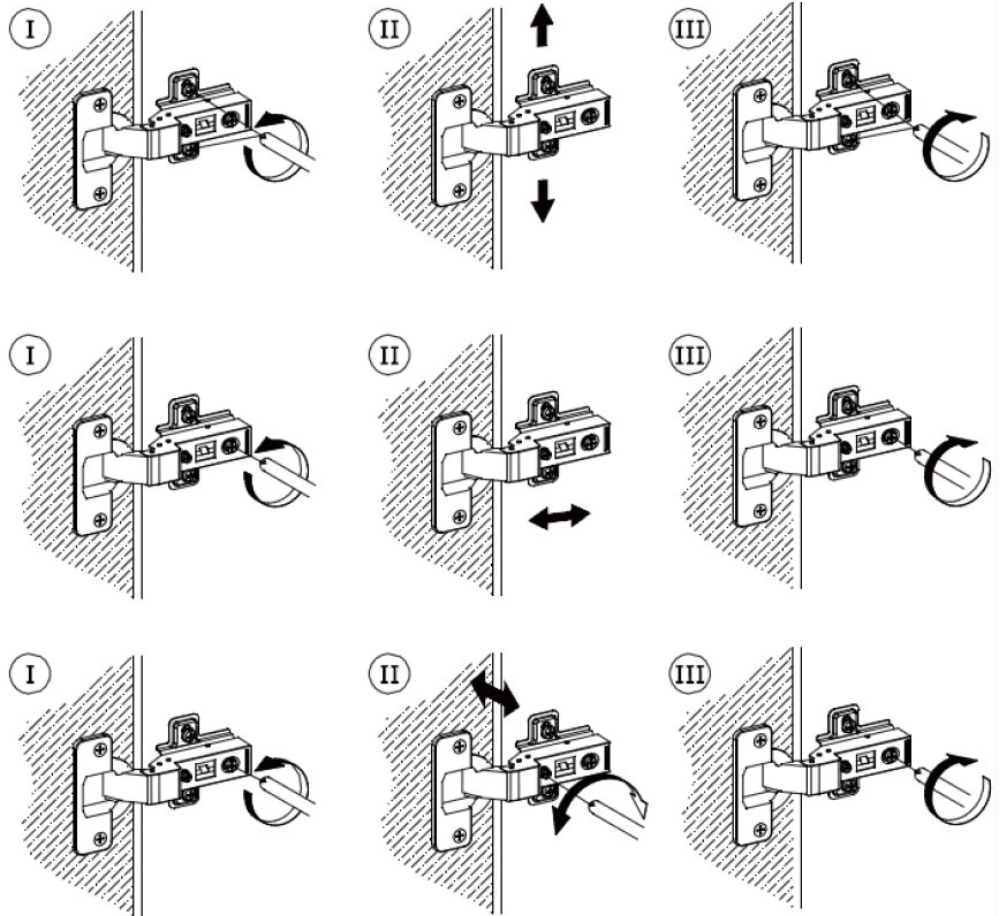
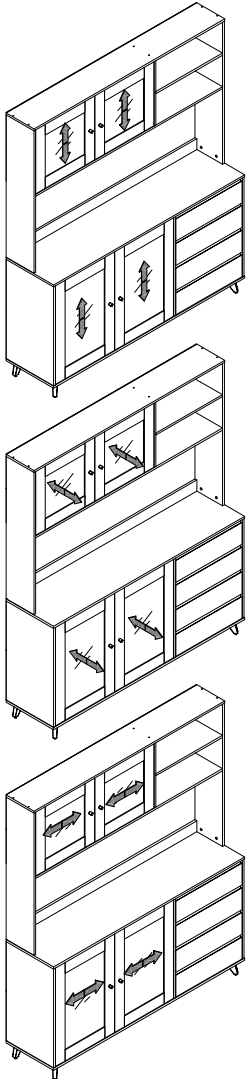
D x 2	F x 2	L x 2	M x 2
			
M3.5x14	M5x40		



Fix part(M) to a proper position of your wall. Fix anti-dumping device(L) to board 18 with screw(D) at first. Fix part(L) to (M) with screw(F) as shown. Align rails, insert all drawers.



If there is misalignment after you install,
adjust the screw to the best condition



WARRANTY

WARRANTY CLAIMS

- There is a 30-day warranty for broken furniture or any other problems that do not work properly. The warranty will start from the date of purchase which must be verified by proof of purchase.
- Before making a claim, we may be able to answer your query, simply call us. Please leave your purchase order number, along with some details of the problem, if you want a replacement part. We will arrange within 48 hours. If there is out of stock, we will reply with a shipping date.
- The product must be used in accordance with the instructions provided. For health reasons.
- For other reasons, if the furniture needs to be returned, it must be cleaned and dried and operated within 30 days of receipt.

Type of Warranty Claim

- Failure to follow the furniture instructions will invalidate the warranty. Attention please.
- Does not include damage during installation, but includes damage during transportation.

Scope of responsibility

- Shall not bear any responsibility for misuse or user damage and / or loss of parts during the installation of furniture.
- After using, the damage and scratches of the furniture are not covered by the warranty.

The Warranty Relates to All Bought in The Us and Covers The Following Areas

- Sheet parts: 1 month from the date of purchase.
- Electrical parts: 1 month from the date of purchase.

RETURNS

CHANGED YOUR MIND AND NEED TO RETURN YOU ITEM?

PLEASE FOLLOW THE BELOW INSTRUCTIONS:

- If you have purchased and have simply changed your mind, follow the retailer's instructions for returns.

DEFECTIVE ITEMS

- If your item is defective in any way, i.e. it doesn't work but you can't identify why, in the first instance, please call us.

DAMAGED ITEMS

- If you receive an order with obvious shipping damage from the retailer, then we suggest the delivery is refused. If the delivery has been accepted and then shipping damage is found, please follow the specific instructions advised by the retailer. In all circumstances please save all packaging material and paperwork for the order. Please be aware that if you dispose of packaging material or attempt to return the merchandise without contacting the fulfiller, you jeopardise your chances of making a claim, and you may not receive a credit for the return.