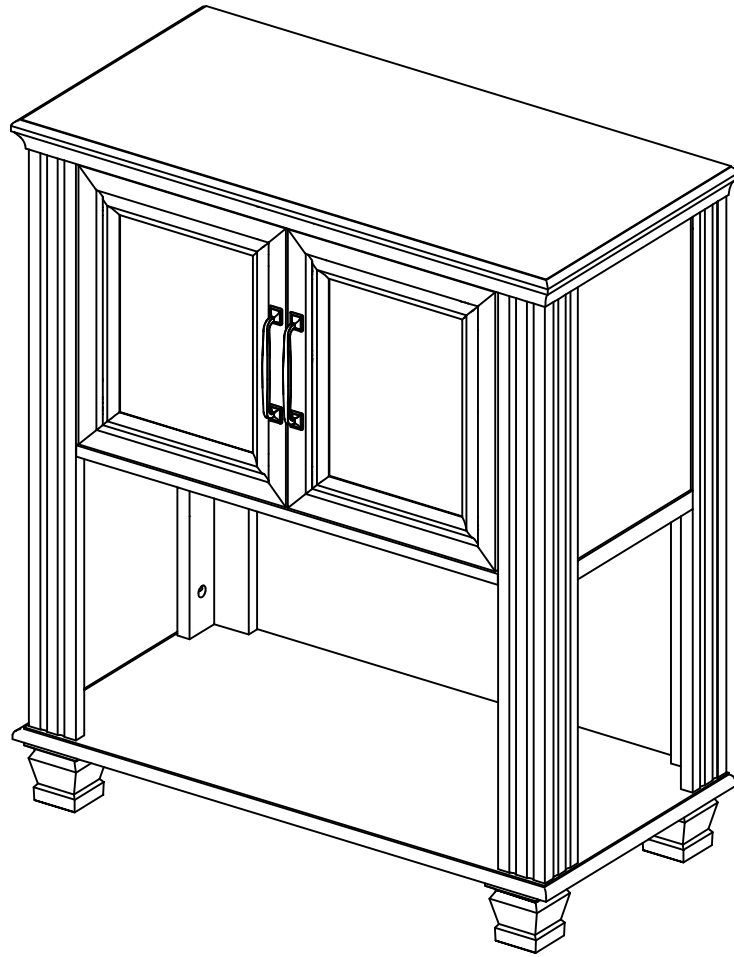


Assembly Instructions



BEFORE STARTING

Before Using Product

Read each step carefully before starting. It is very important that each step is performed in the correct order. If these steps are not followed in sequence, assembly difficulties will occur.

Make sure all parts are included.

Work in a spacious area and near where the unit will be used, preferably on a carpet, or use a piece of the cardboard packaging to protect your floor and product.

For a smooth assembly process, we suggest you keep a lite tightness for all the screws during assembly. After the whole product is assembled, firmly tighten all the screws.

WARNING

Do not allow children to climb on unit.

Avoid sharp objects or corrosive chemicals to prevent damage to the product.

During assembly, keep parts and packaging materials away from children and pets as there could be potential injury and choking hazards.

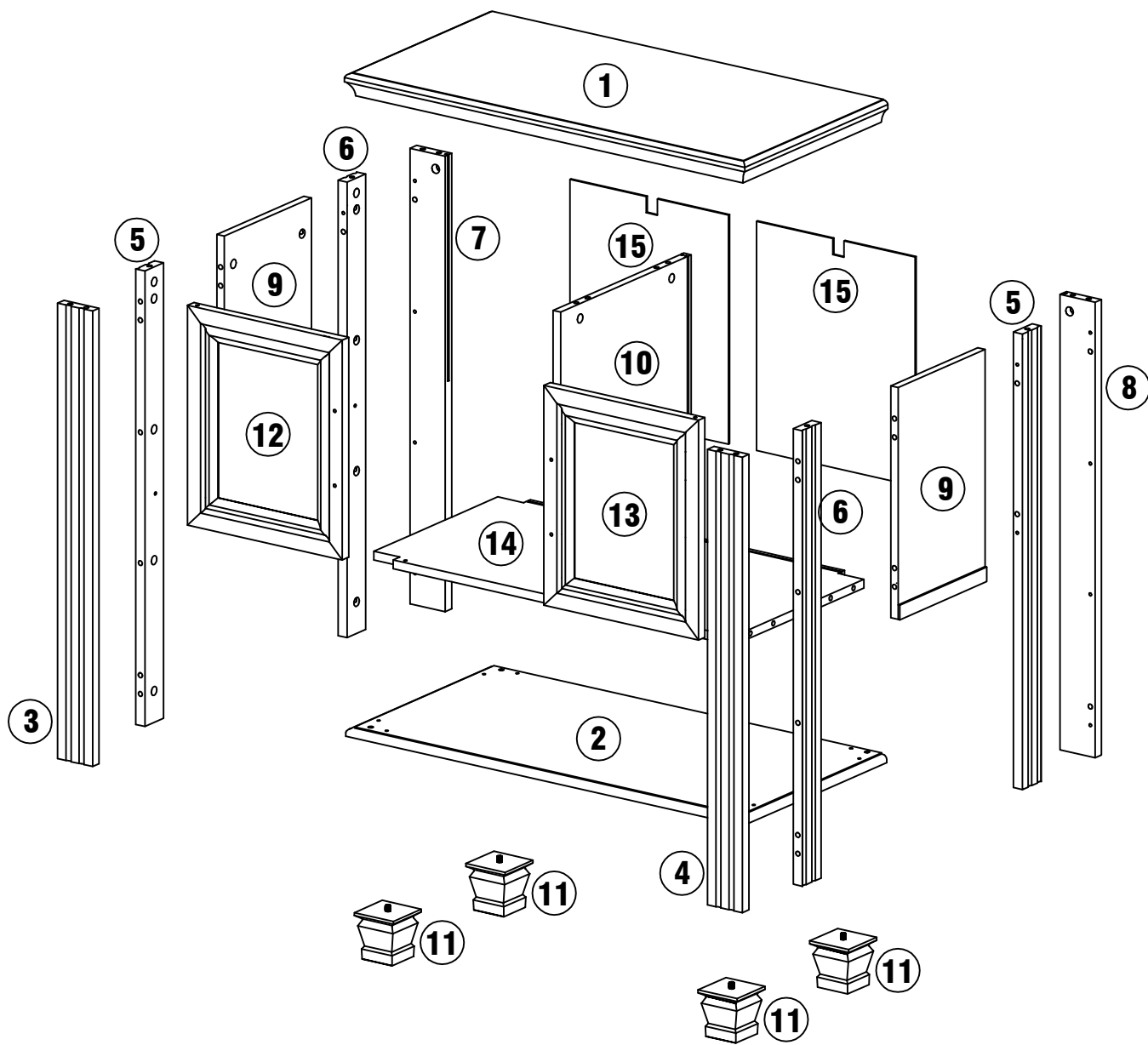
Please make sure that all objects are removed before moving the assembled unit.

The unit must be team lifted, not dragged or pushed. Failure to do so could cause instability, product collapse, and/or serious injury.









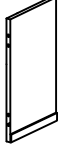
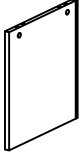

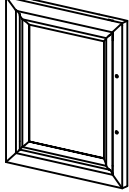
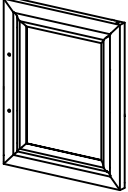

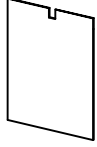
Be careful when using power tools to assemble your furniture.

Power tools may strip or damage the parts.


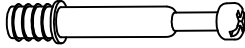
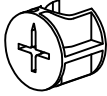
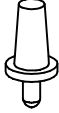
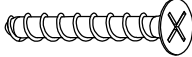


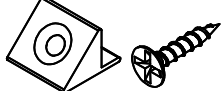

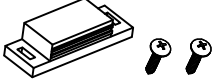
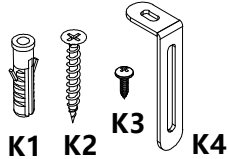
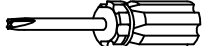
PART LIST




PART LIST


<p>①</p>  <p>1 pc</p>	<p>②</p>  <p>1 pc</p>	<p>③</p>  <p>1 pc</p>
<p>④</p>  <p>1 pc</p>	<p>⑤</p>  <p>2 pcs</p>	<p>⑥</p>  <p>2 pcs</p>
<p>⑦</p>  <p>1 pc</p>	<p>⑧</p>  <p>1 pc</p>	<p>⑨</p>  <p>2 pcs</p>
<p>⑩</p>  <p>1 pc</p>	<p>⑪</p>  <p>4 pcs</p>	<p>⑫</p>  <p>1 pc</p>
<p>⑬</p>  <p>1 pc</p>	<p>⑭</p>  <p>1 pc</p>	<p>⑮</p>  <p>2 pcs</p>

HARDWARE LIST

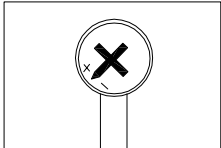
<p>A X32+2</p>  <p>Ø 8X30MM</p>	<p>B X38+2</p>  <p>Ø 6X34MM</p>	<p>C X38+2</p>  <p>Ø 15X12MM</p>
<p>D X2</p> 	<p>E X10+1</p>  <p>Ø 4X50MM</p>	<p>F X2</p> 
<p>G X2</p> 	<p>H X8</p> 	<p>I X2</p> 
<p>J X2</p> 	<p>K X2</p>  <p>K1 K2 K3 K4</p>	



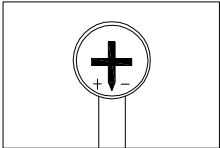
Bolt



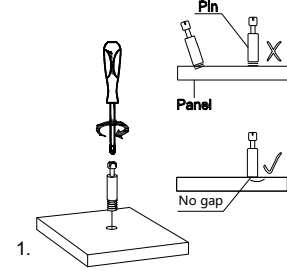
Connecting piece



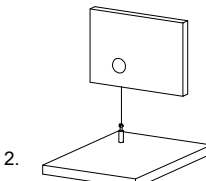
Adjust connecting piece direction until it is properly lined up with the hole.



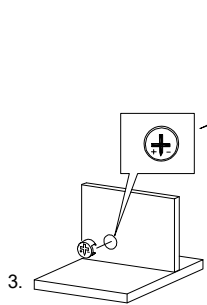
Insert bolt when connecting piece direction is properly lined up.



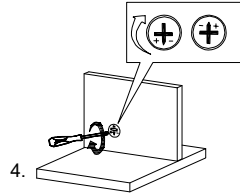
1. 90° vertical installation in place



2.

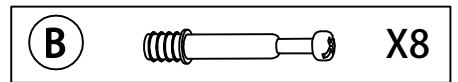
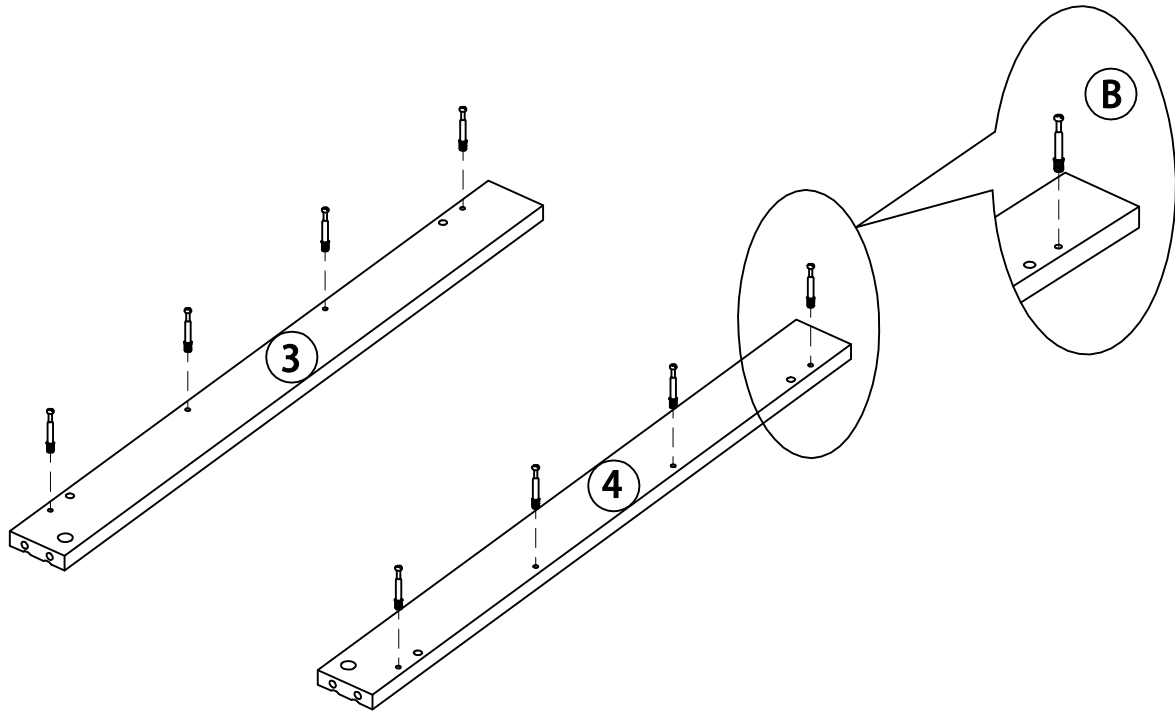


3.

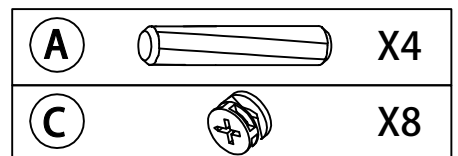
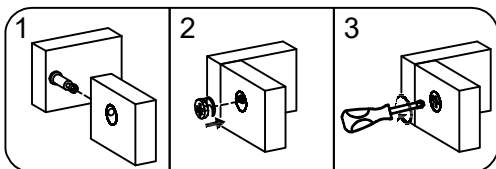
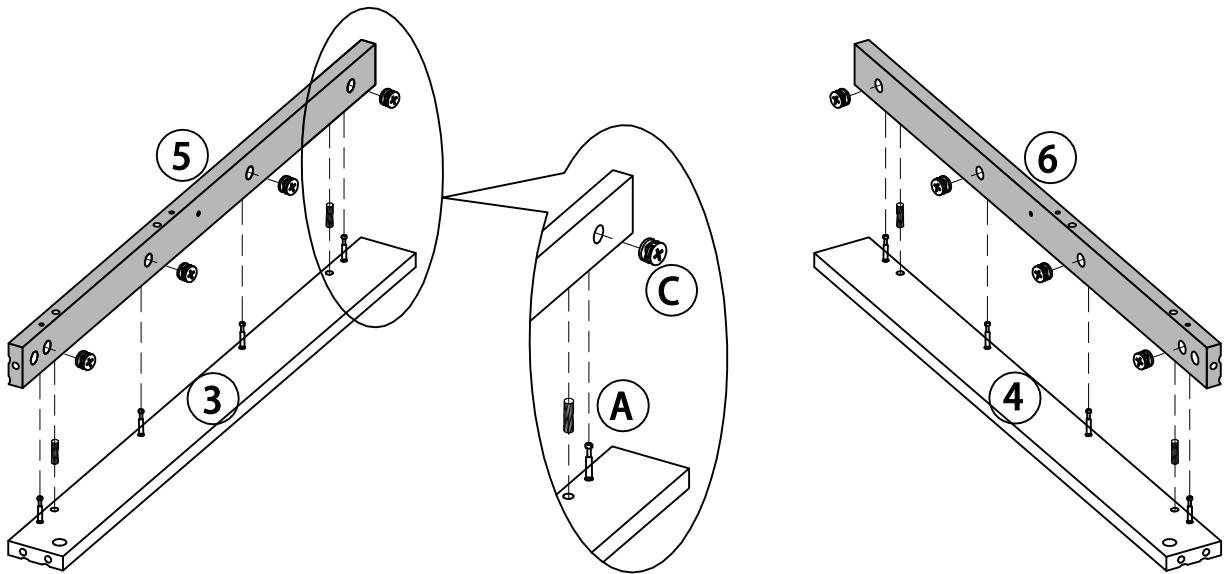


4.

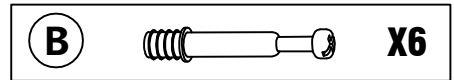
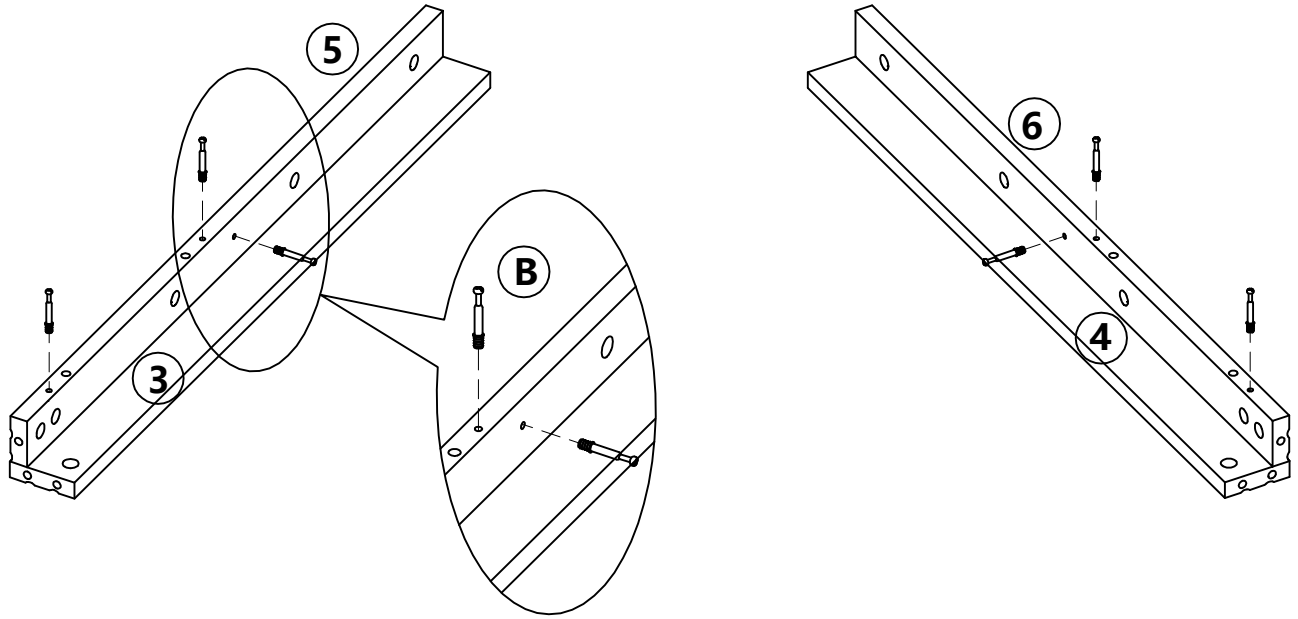
STEP 1



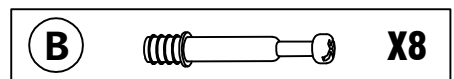
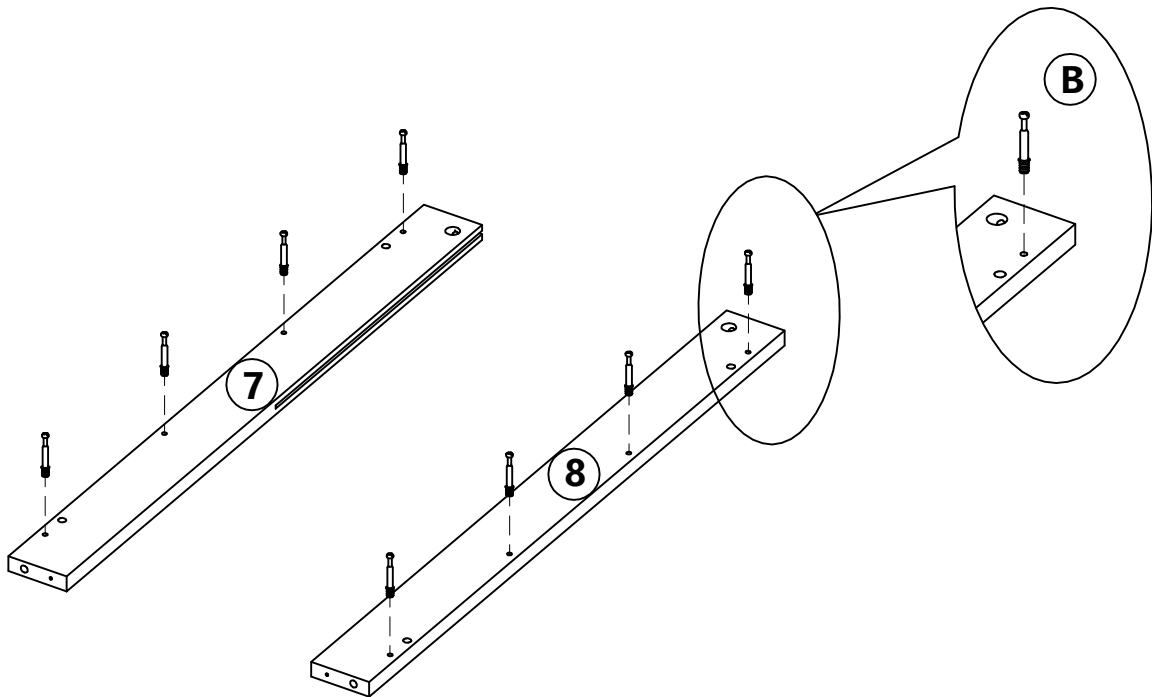
STEP 2



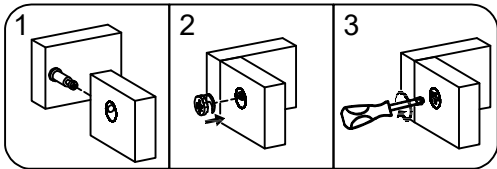
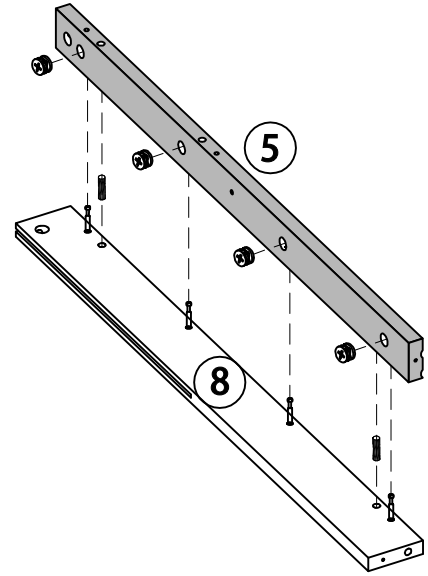
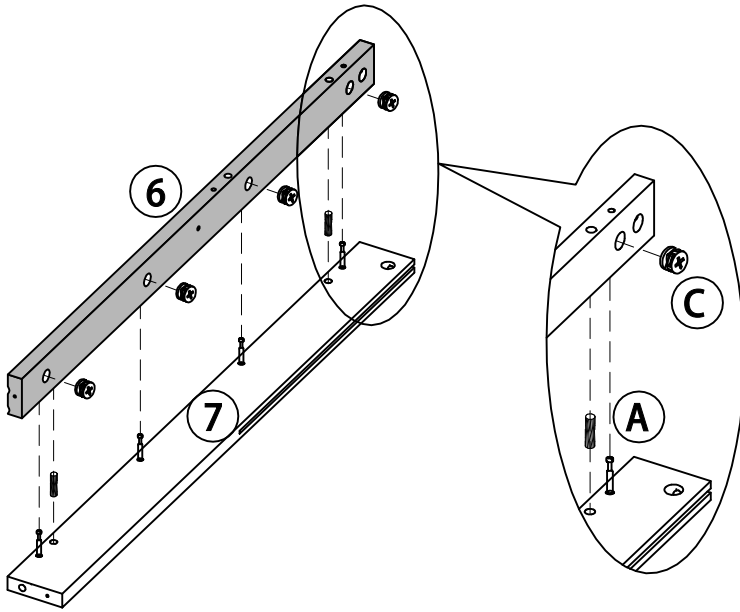
STEP 3



STEP 4

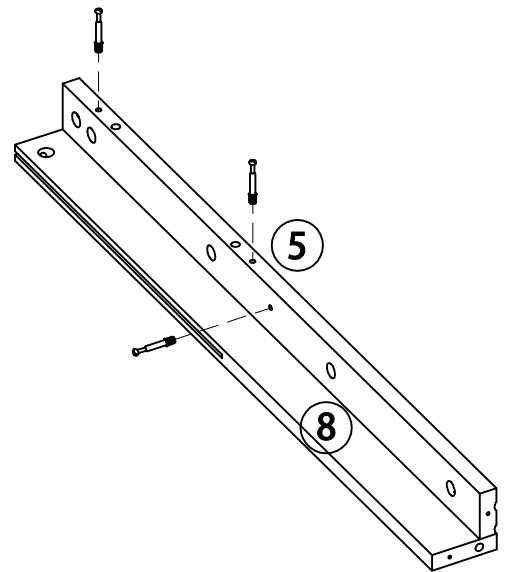
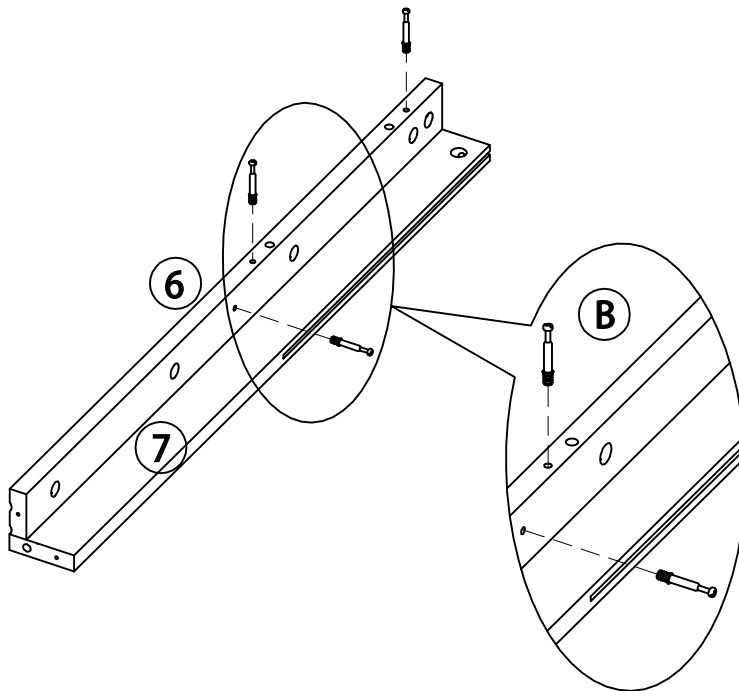


STEP 5



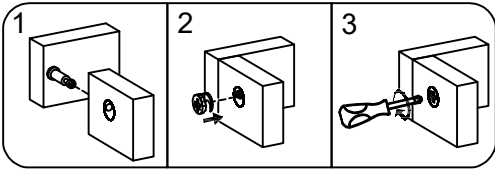
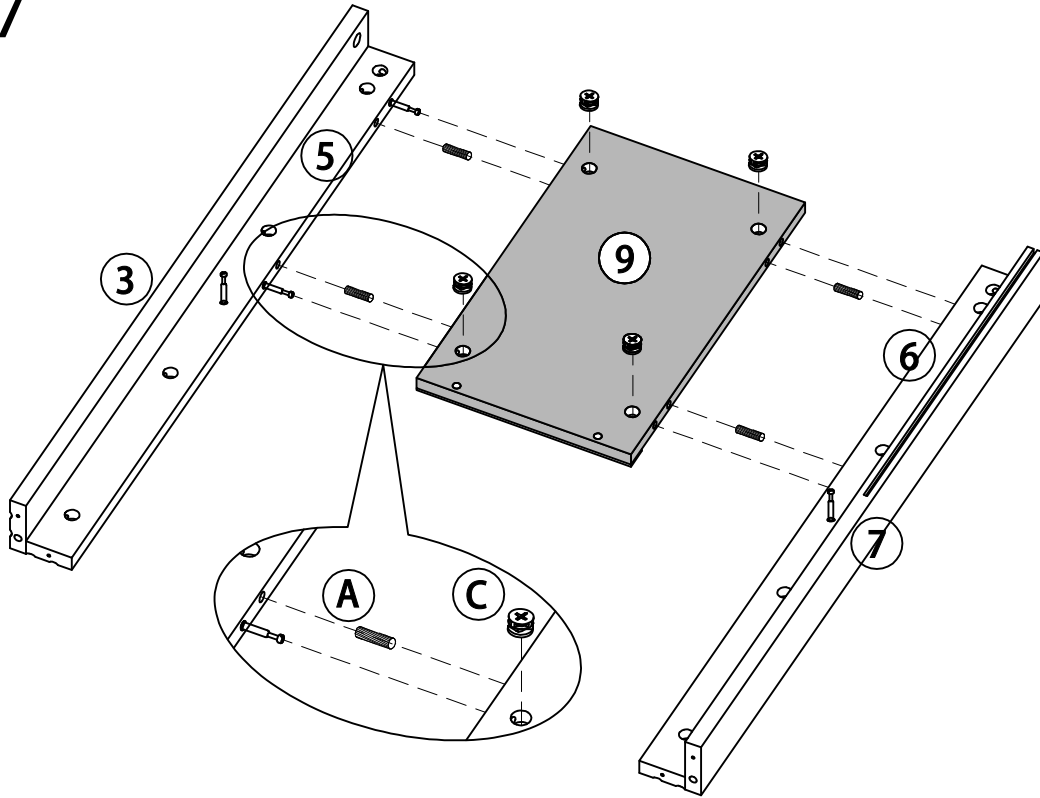
A		X4
C		X8

STEP 6



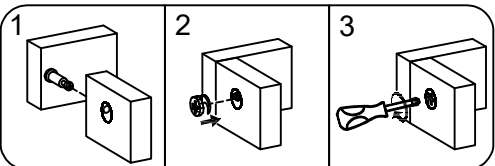
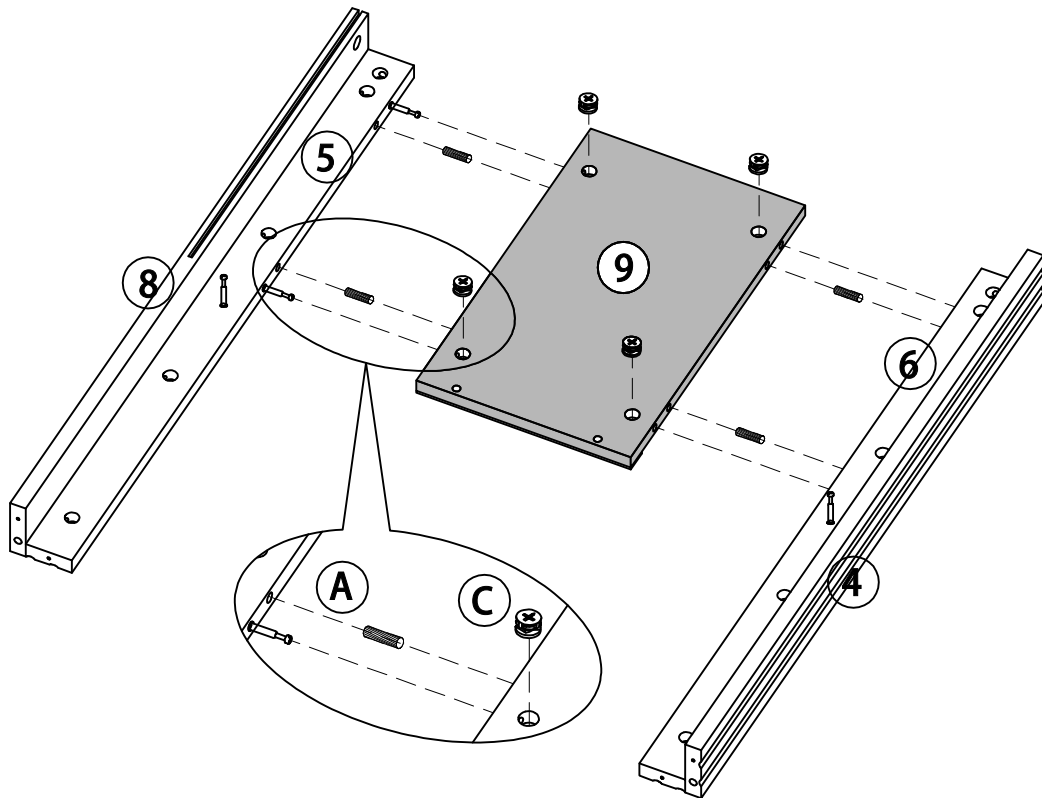
B		X6
----------	--	----

STEP 7



A		X4
C		X4

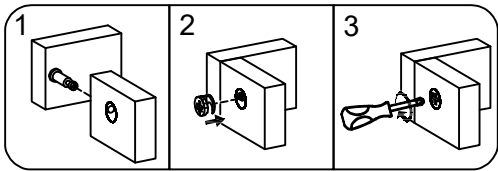
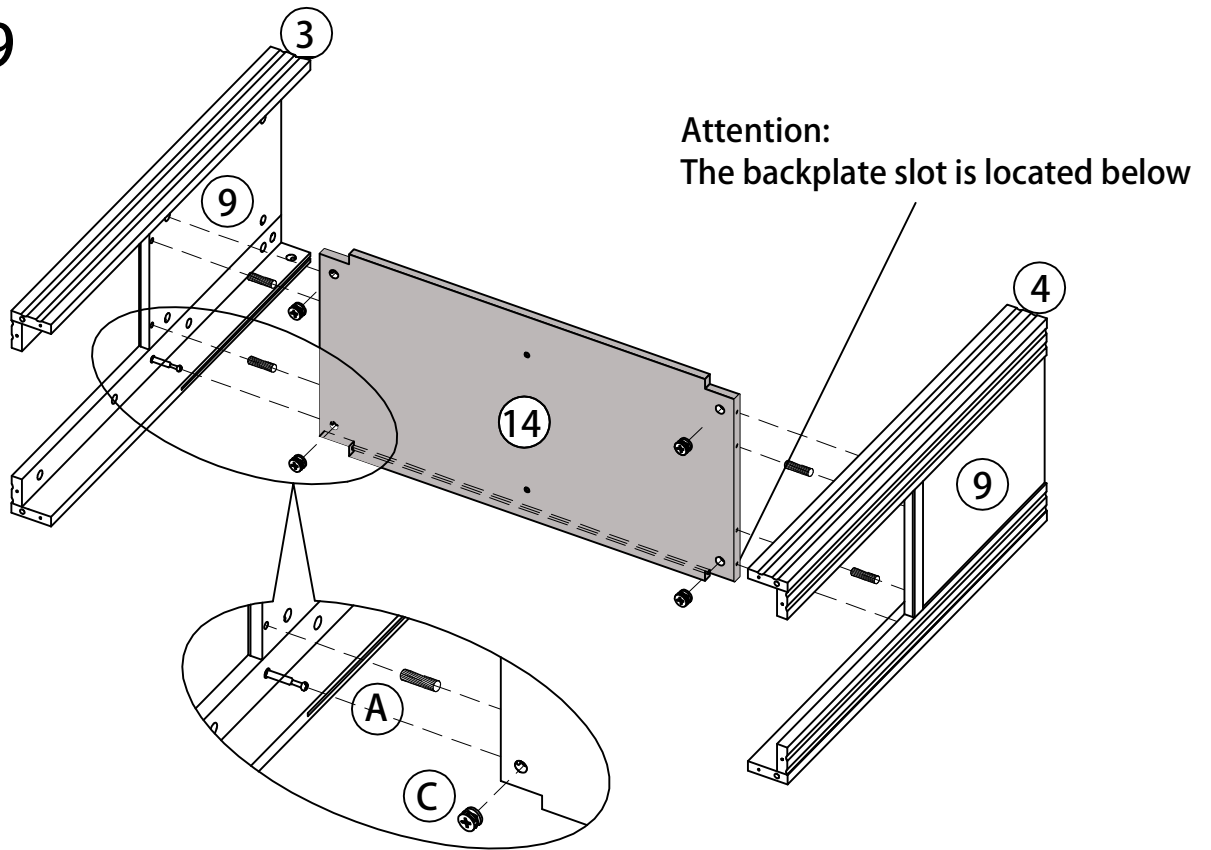
STEP 8

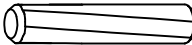



7

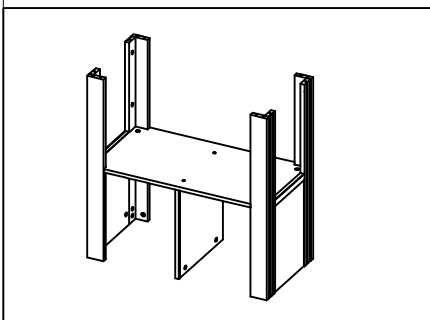
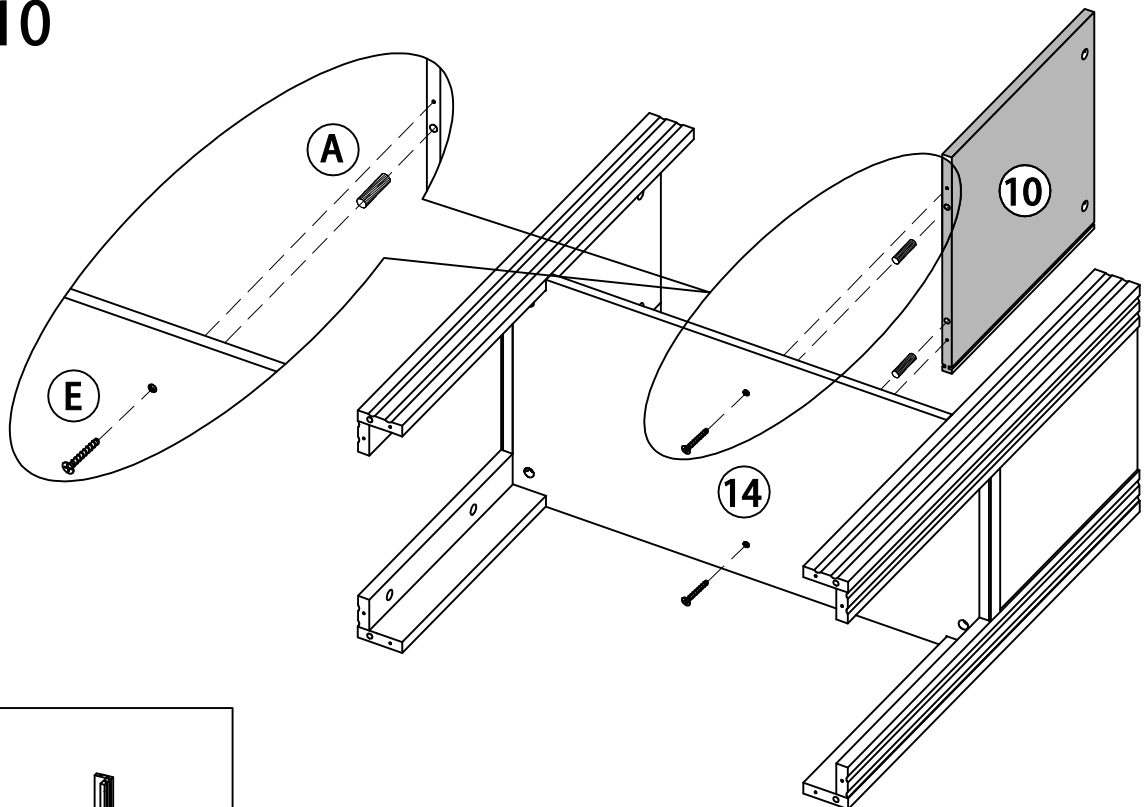
A		X4
C		X4

STEP 9

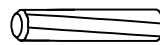
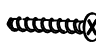


A		X4
C		X4

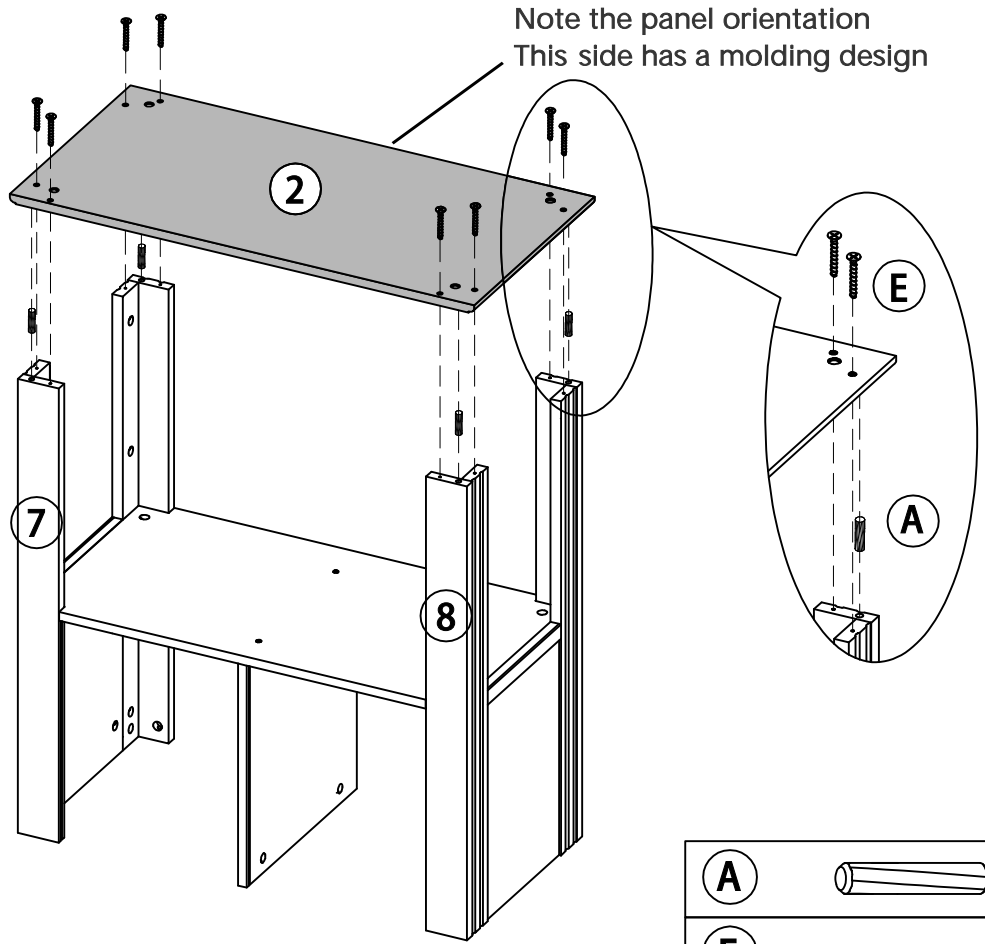
STEP 10



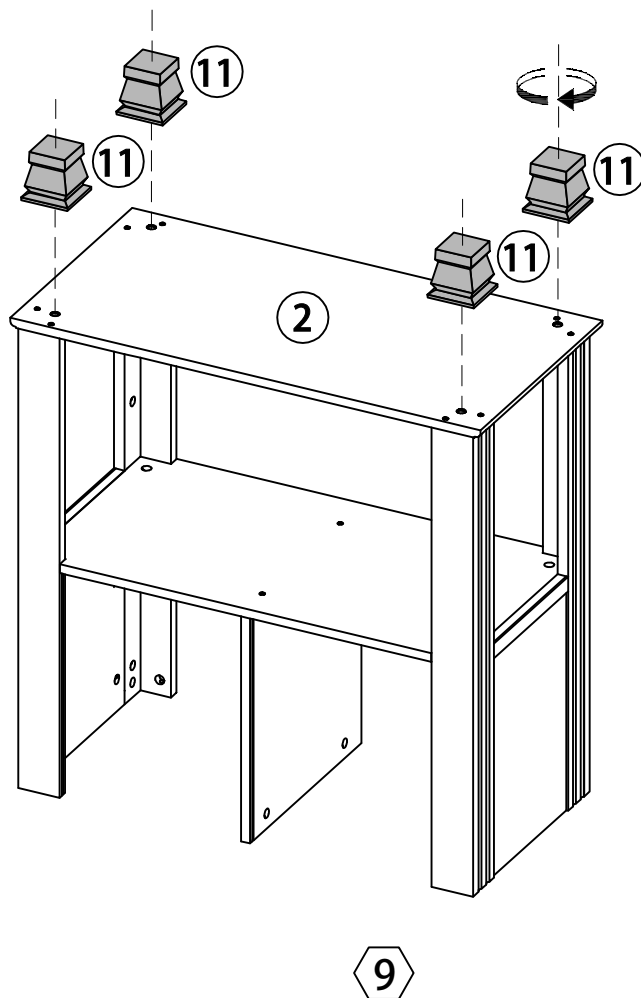
8

A		X2
E		X2

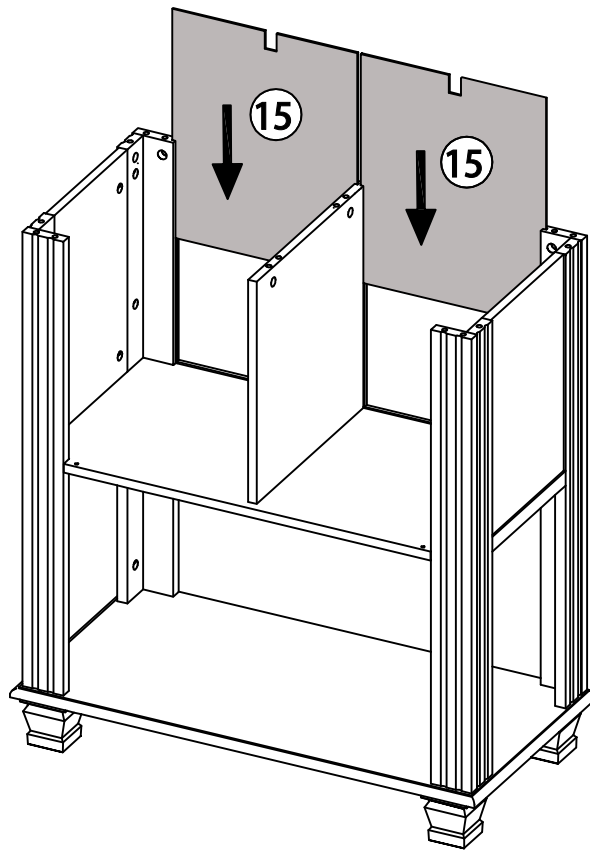
STEP 11



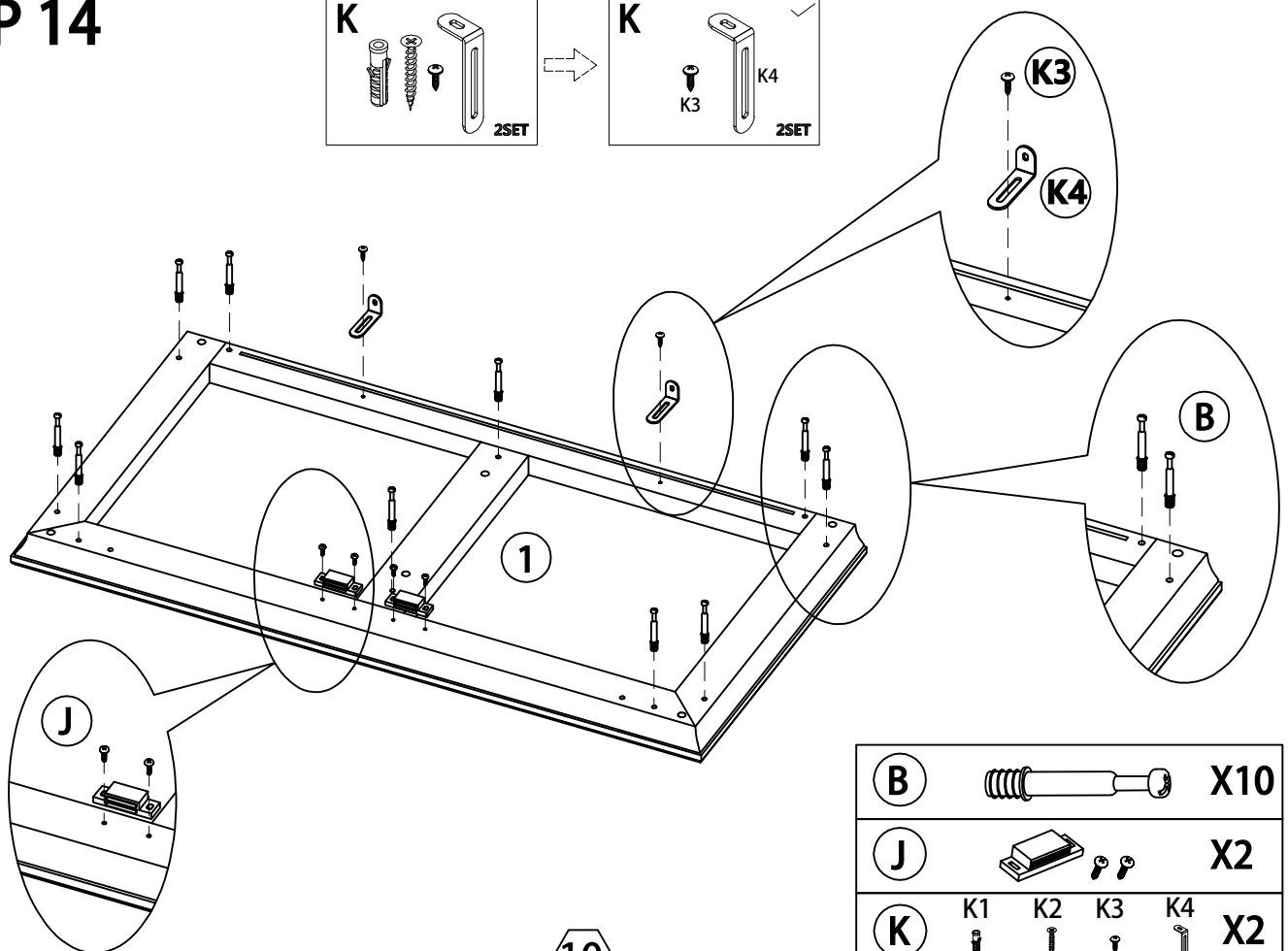
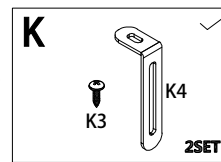
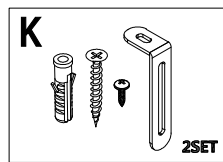
STEP 12



STEP 13



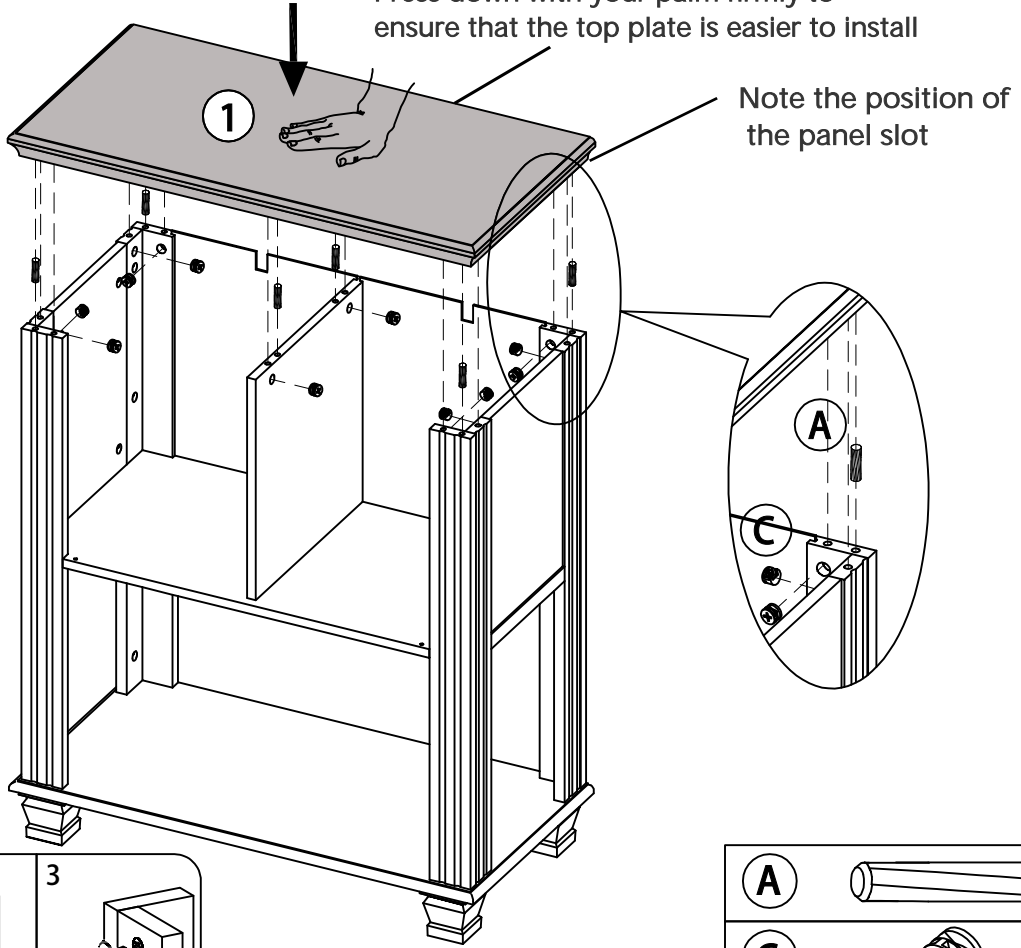
STEP 14



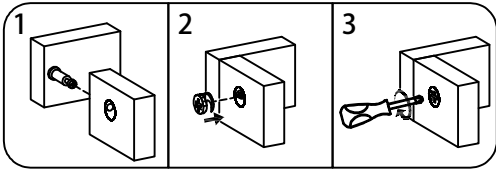
B		X10			
J		X2			
K	K1	K2	K3	K4	X2

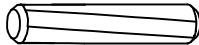

STEP 15

Press down with your palm firmly to ensure that the top plate is easier to install

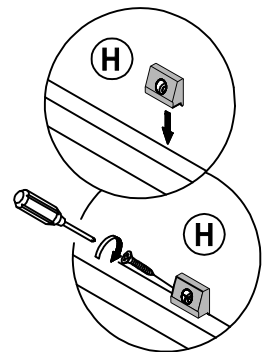
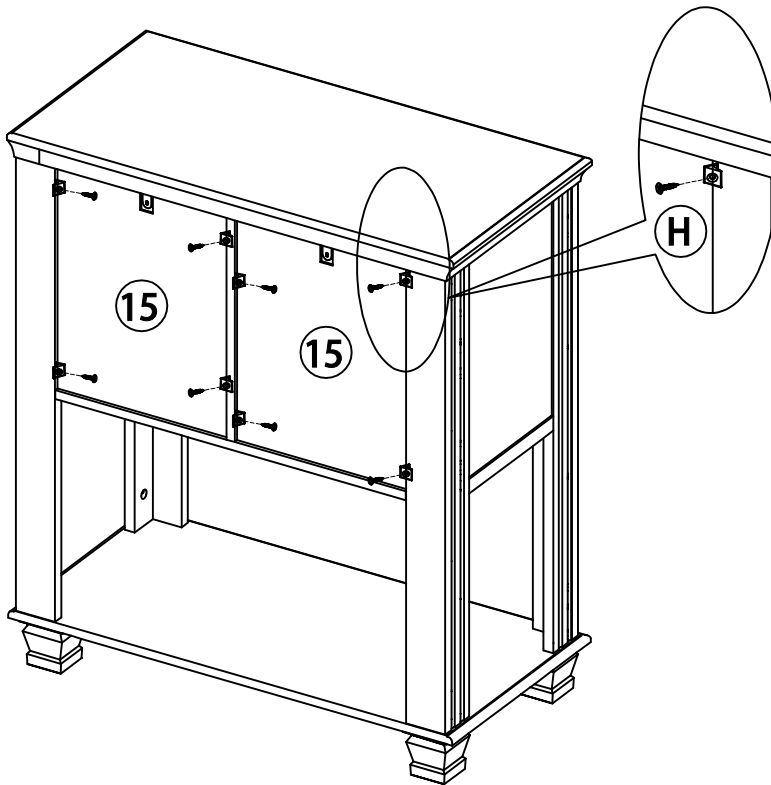


Note the position of the panel slot



A		X6
C		X10

STEP 16

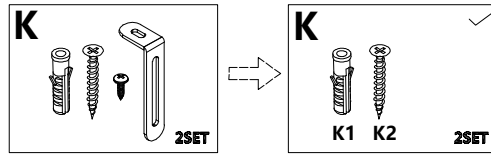


Install and tighten backplate screws to ensure stability

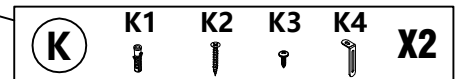
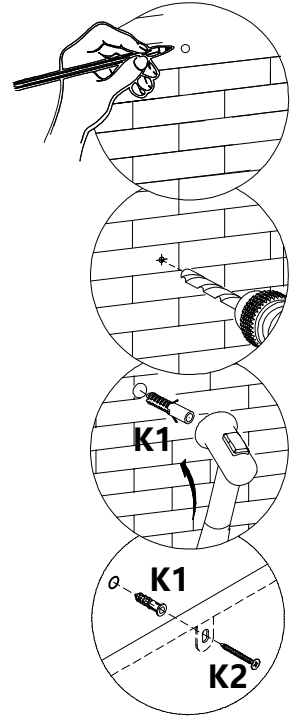
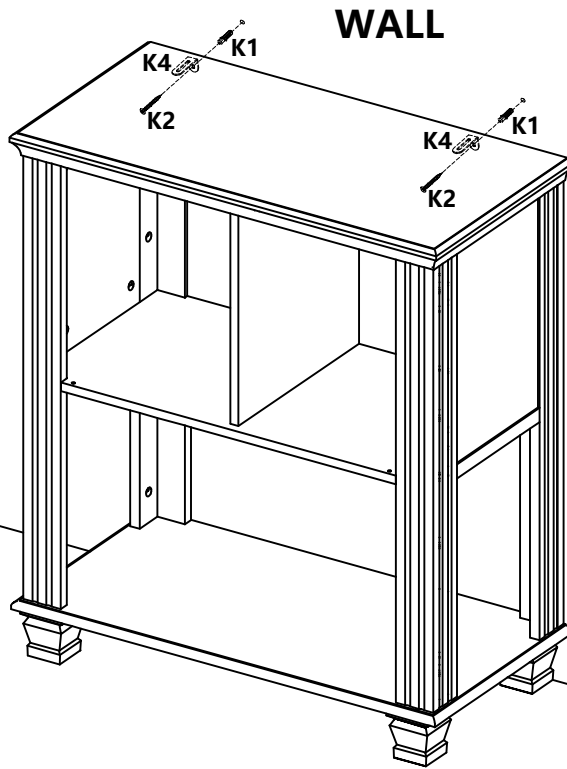
Please be sure to install the mending wedges to prevent the product from becoming unstable or wobbling.

H		X8
----------	---	-----------

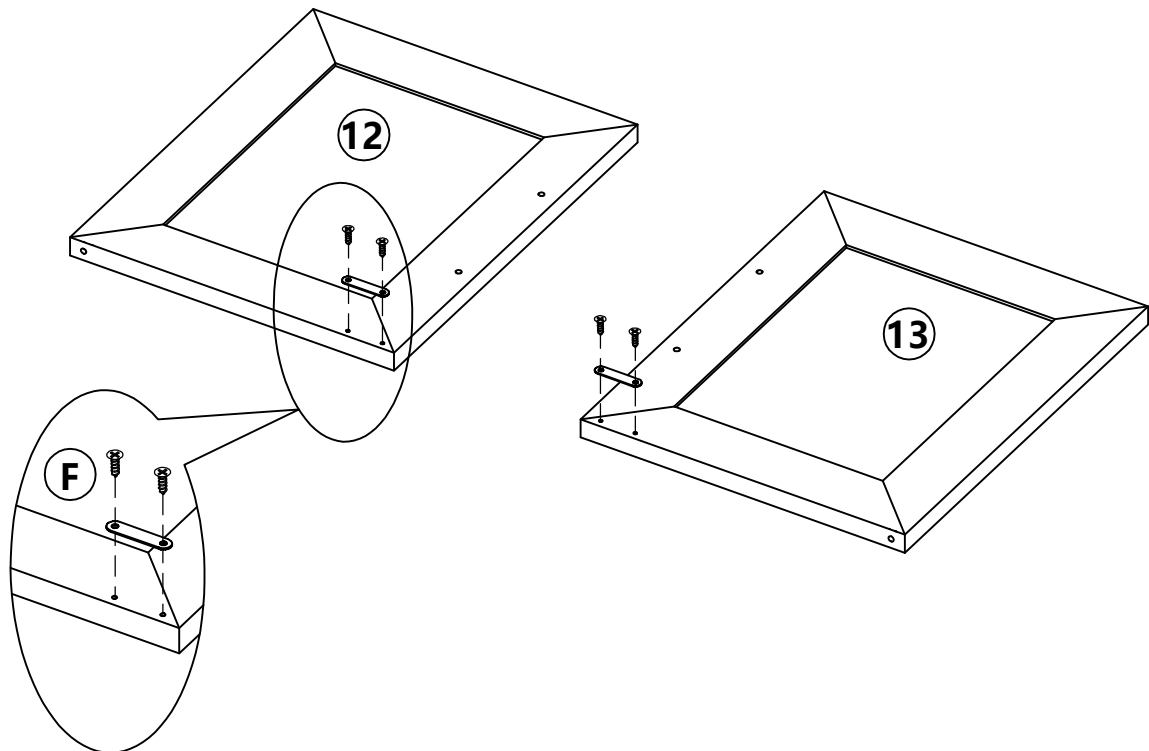
STEP 17



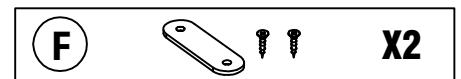
Drill a hole in the wall , then hammer the K1 into the wall with a hammer



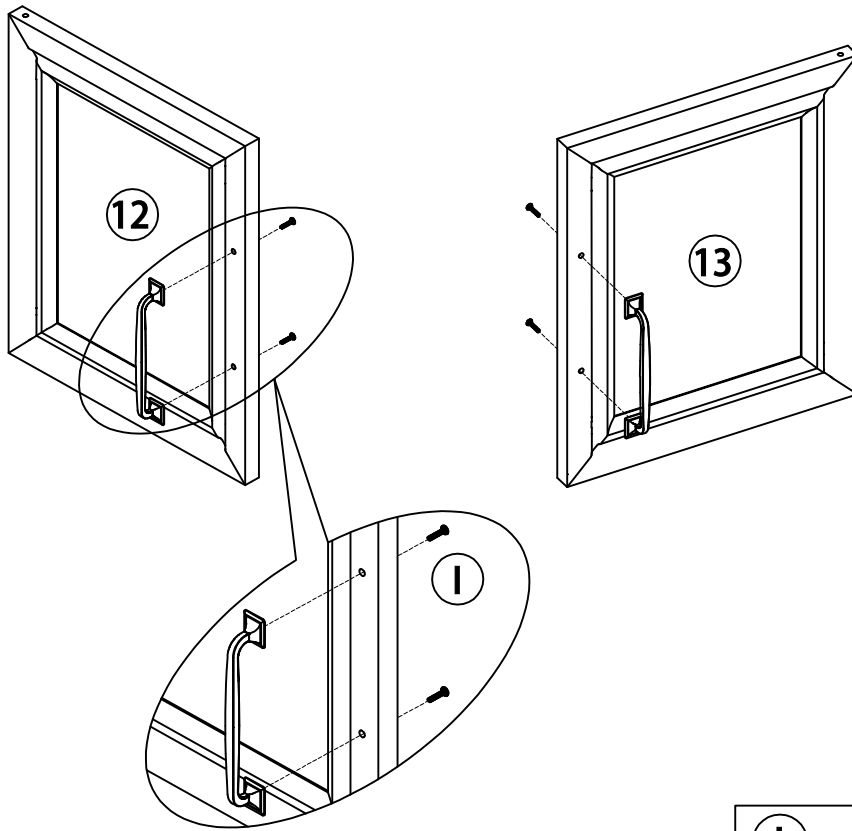
STEP 18



12



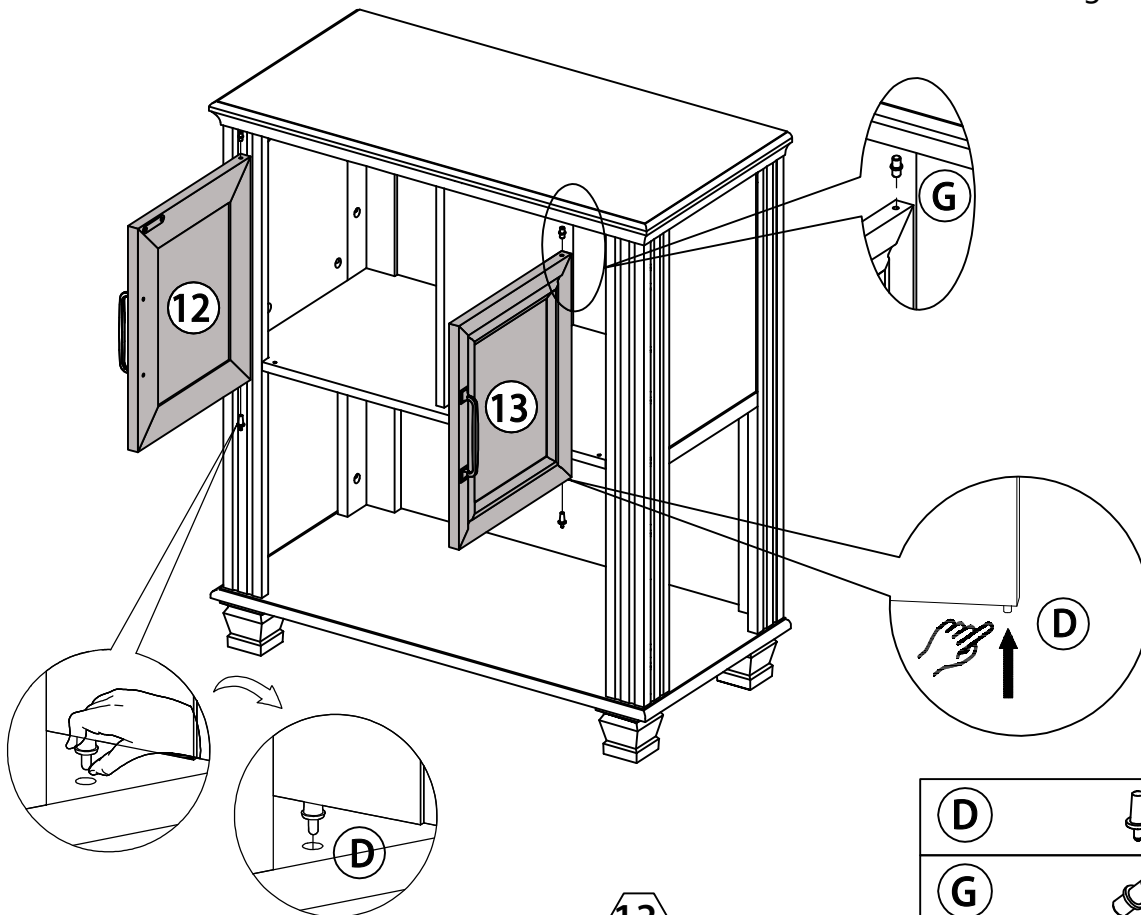
STEP 19



I		X2
---	--	----

STEP 20

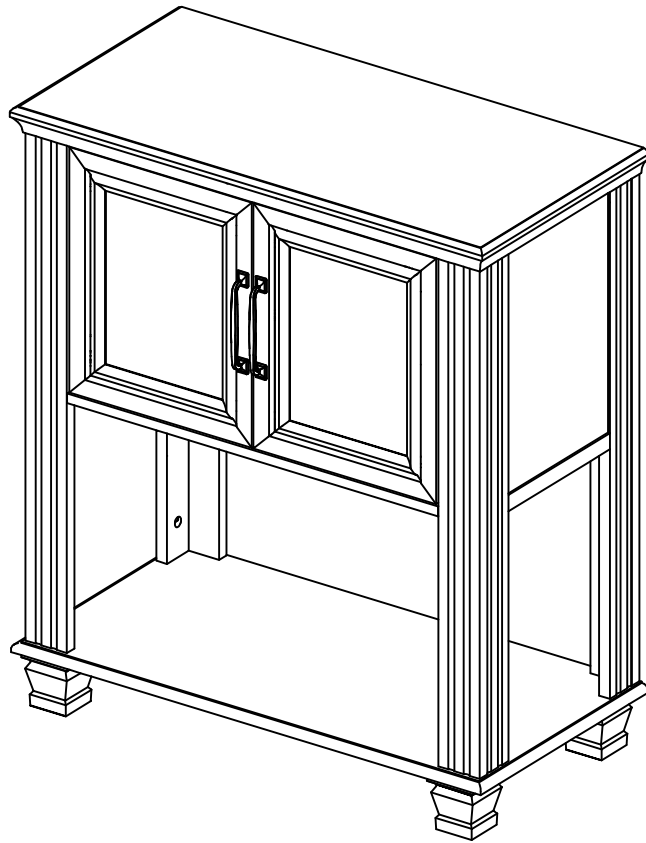
Please install accessory G firstly before installing accessory D.



D		X2
G		X2

13

STEP 21



WARNING



Children have died from furniture tipover. To reduce the risk of furniture tipover:

- ALWAYS install anti-tip device provided.
- NEVER put a TV on this product.
- NEVER allow children to stand, climb or hang on any drawers, doors, or shelves.
- NEVER open more than one drawer at a time.
- Place heaviest items in the lowest drawers.

*This is a permanent label.
Do not remove!*



1 Instructions for use:

The cabinet legs should be designed to avoid lateral stress. When moving, please lift vertically off the ground. Dragging may cause loose connectors, affecting stability and service life.