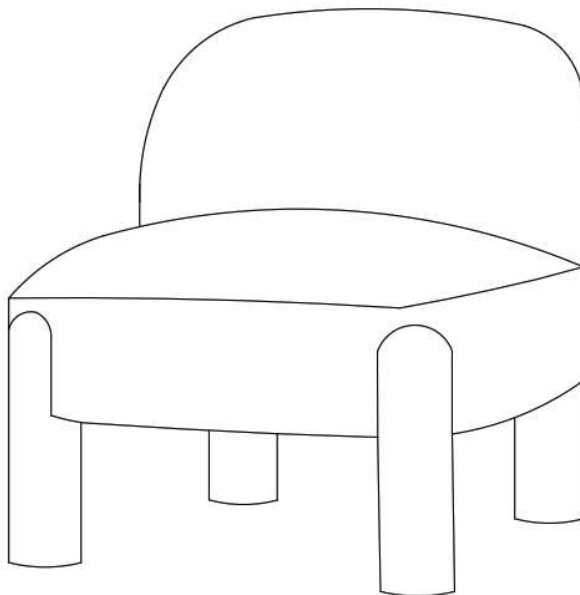


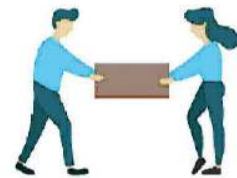
# ASSEMBLY INSTRUCTIONS

Hours of Operation  
MON-FRI 8:00AM - 4:00PM (PT)

## TOOLS REQUIRED

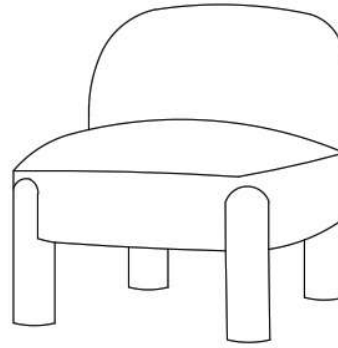


Allen key  
(Included)



2 - People

Enjoying this product? We'd love your 5-star review!  
If you have any issues, our support team is happy to help.



Monday-Friday  
8:00AM - 4:00PM PT

**CHECK  
BEFORE STARTING**

Are you missing anything?

Please double check all hardware and parts match the assembly guide before putting the product together. If damaged, put the item back in the box, and start your claim or return

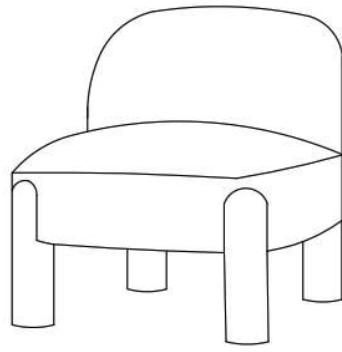
Should we send any replacements?

If there are any manufacturer defects or missing pieces please contact us for replacements. If purchased online, please contact the website of where you purchased it from, DIRECTLY

## **IMPORTANT INFO before assembly:**

If there's a problem with the parts do not attempt to assemble the product

- Place all parts on a clean and smooth surface such as a rug/carpet to avoid parts from being scratched
- When tightening screws to product do not overtighten until product is fully setup
- If product is too heavy for a single person to carry please ask for assistance
- DO NOT DRAG or PUSH item to desired location. Must be carried when moving
- If item is not working as intended please review the assembly guide to see if any steps were missed or incorrectly built. If there's a problem with part please contact seller for additional assistance
- Please keep all hardware and small parts away from pets/infants
- Please wear gloves or protective gear to protect from getting cuts
- It is normal for new furniture to have an off gassing smell. Please air out furniture near a window for a few hours or a day before placing it in its desired location
- All products may have a slight color and texture variation due to different shipments, natural materials, screen- resolutions, or lighting in home. Images are rendered by different devices or websites



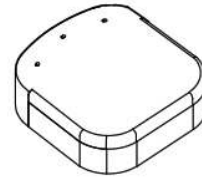
**PARTS**

**1** x1



**Back Frame**

**2** x1








**Seat**

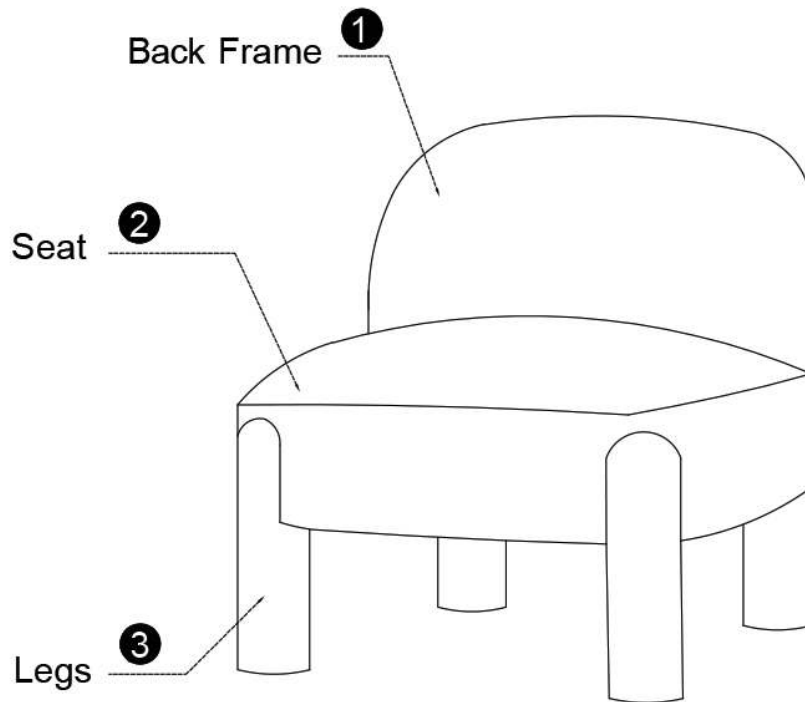
**3** x4



**Legs**

## HARDWARE

No.	OUTLOOK	DESC	QTY
A		Bolts 5/16"x 90 mm	8
B		Bolts 5/16"x 60 mm	3
C		Flat washer Ø19x1.2mm	11
D		Spring washer Ø13x1.2mm	11
E		Allen key 80x30x4 mm	1



# Parts

Check you've received all parts listed below before assembly

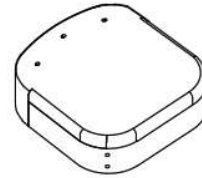
BOX: 1/1

1 x1



Back Frame

2 x1



Seat

3 x4

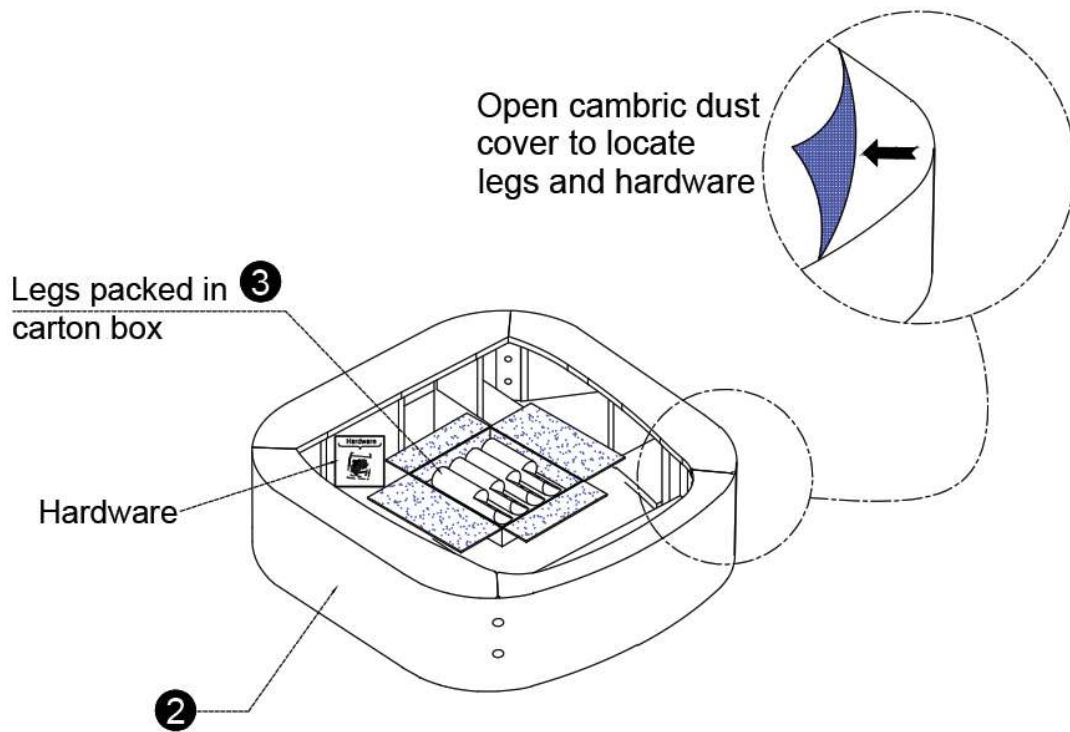


Legs

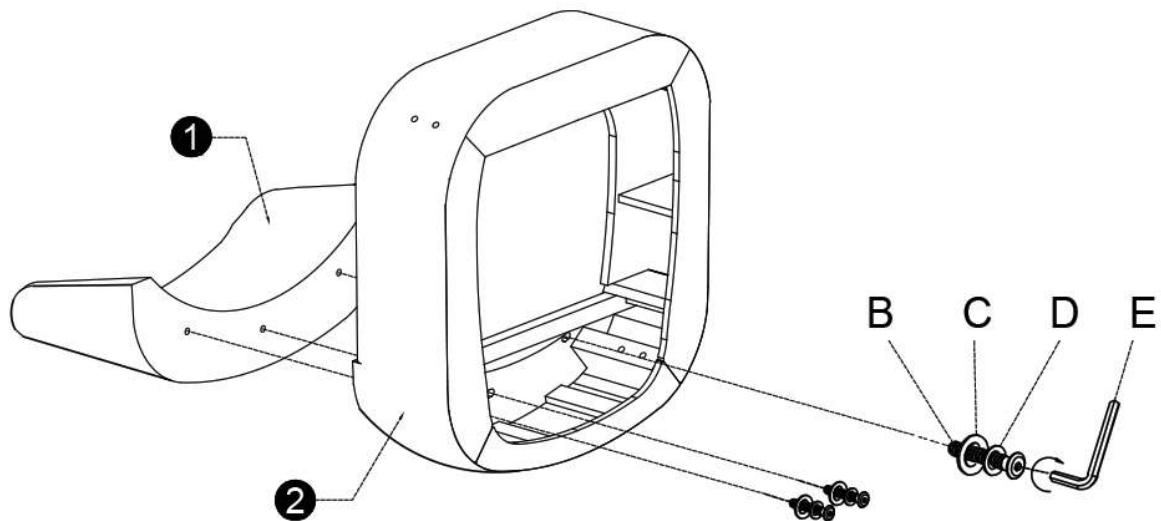
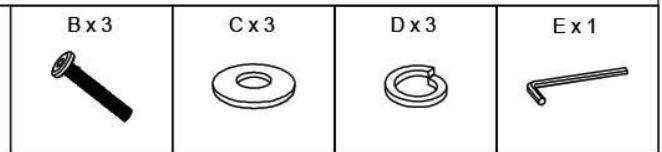
Hardware







# STEP 1

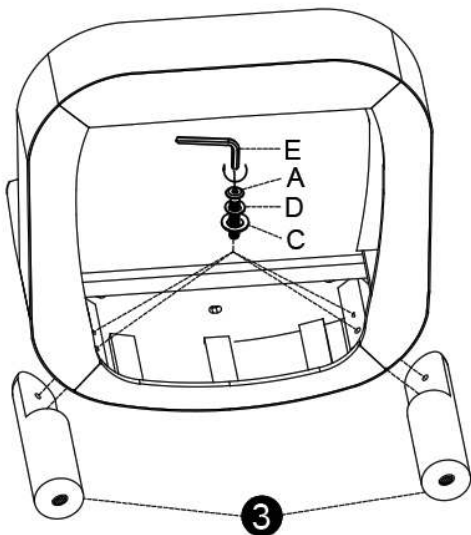


# STEP 2







# STEP 3

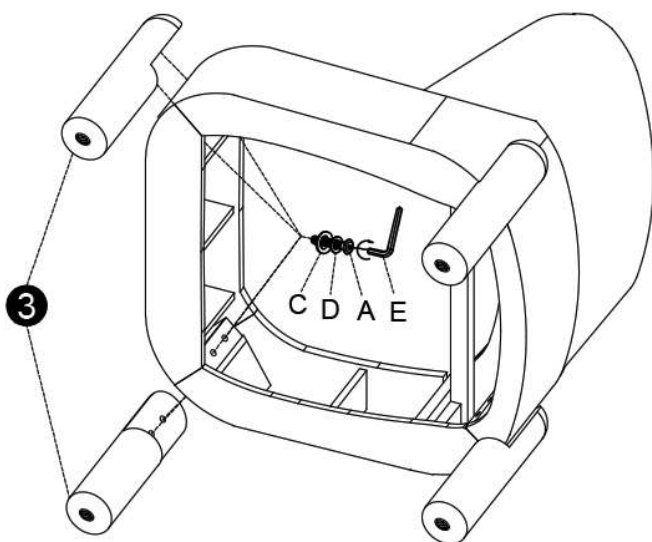
Ax4	Cx4	Dx4	Ex1
			



Attach the Bolt ( A ),( C ),( D ) to legs ( 3 ) back side as shown above, with allen **key** ( E ) tighten 100%

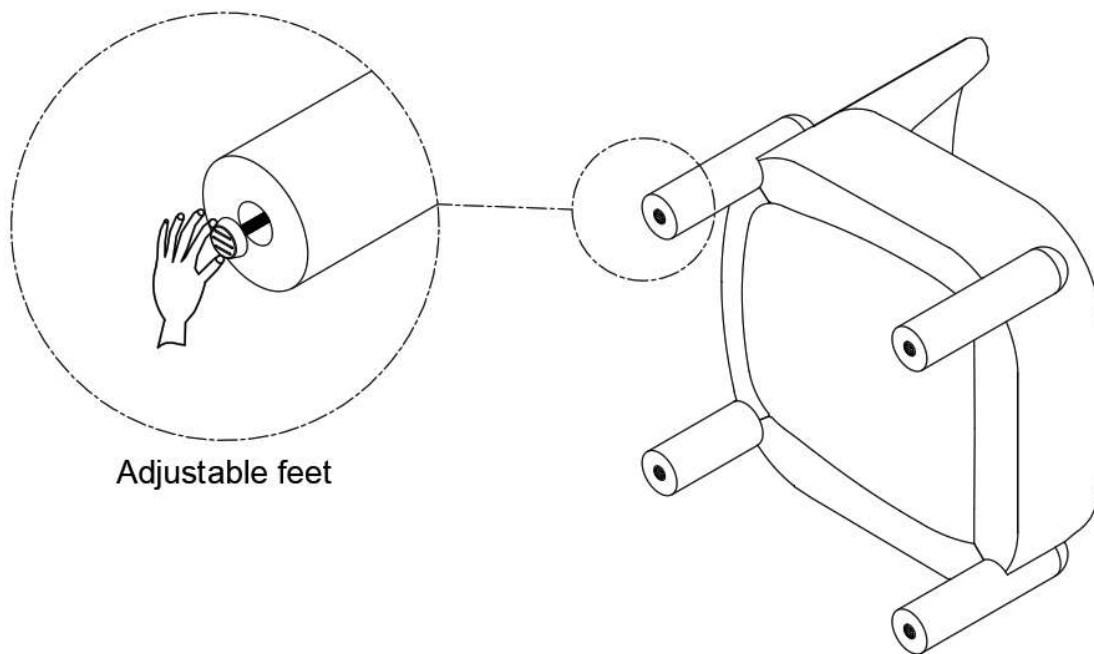
# STEP 4

Ax4	Cx4	Dx4	Ex1
			



Attach the Bolt ( A ),( C ),( D ) to legs ( 3 ) front side as shown above, with allen **key** ( E ) tighten 100%

## STEP 5



Adjustable feet

## Finish

