

Save this manual for future reference

CHARLES
BENTLEY

EST. 1860

CHARLES
BENTLEY

EST. 1860

Find Us On

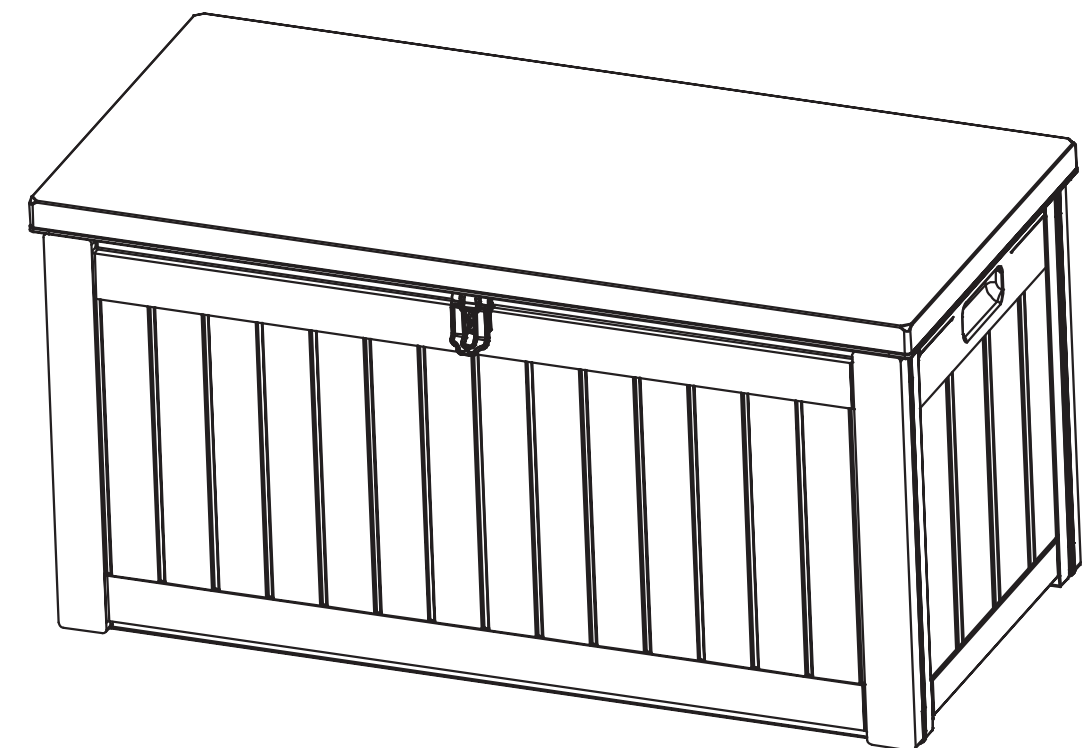


Contact : customerservices@charlesbentley.com

Please Retain Instructions For Future Use

CHARLES BENTLEY & SON LTD
NORTH ROAD, LOUGHBOROUGH, LEICESTERSHIRE, LE11 1QJ

www.charlesbentley.com



270L Storage Box

Instruction Manual

MODEL NUMBER: GLPLSTORE270LGY

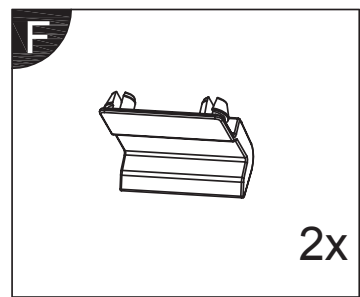
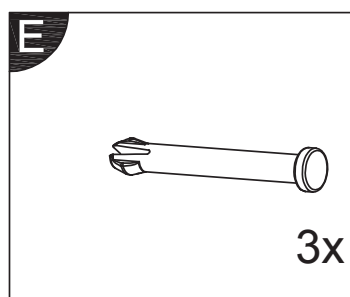
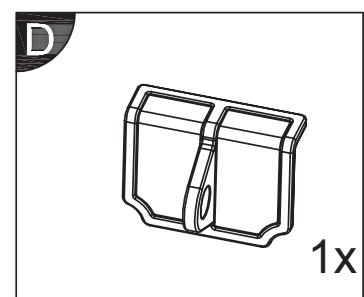
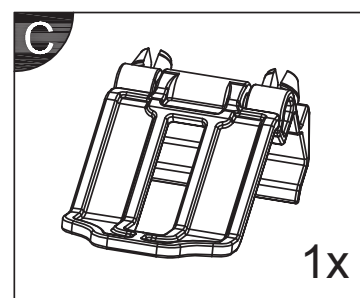
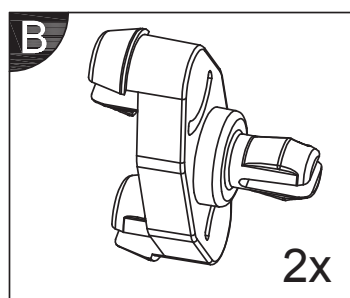
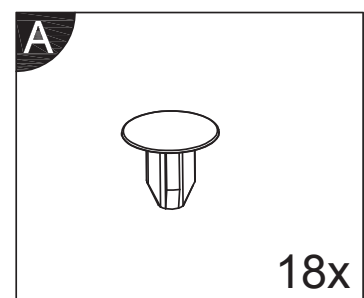
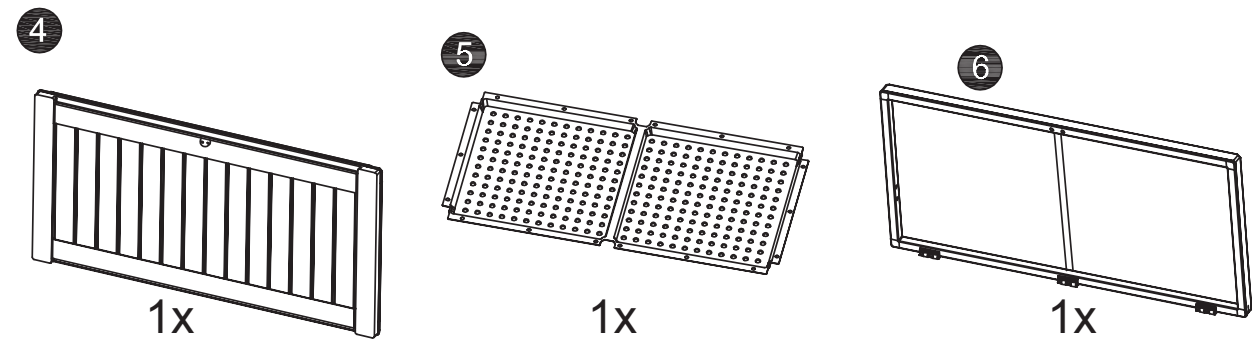
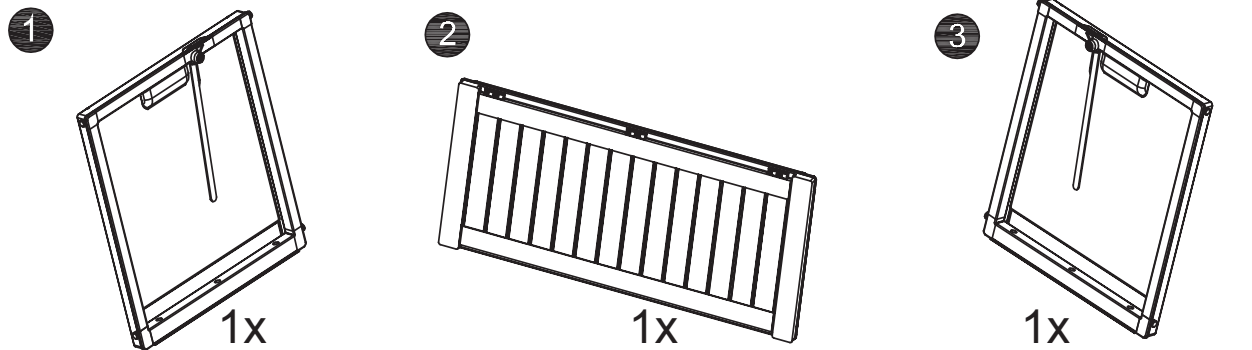
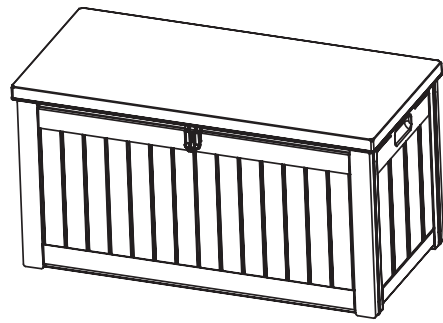
SERIAL NUMBER: _____

Both model number and serial number may be found on the main label.
You should record both of them in a safe place for future use.

FOR YOUR SAFETY

PLEASE READ AND UNDERSTAND THE ENTIRE MANUAL
BEFORE OPERATING

ASSEMBLY INSTRUCTIONS



Warning: When building or using your storage box make sure that the lid is not allowed to go back further than is allowed by the sliding lift. If the lid is allowed past this point then the hinges could be broken.

