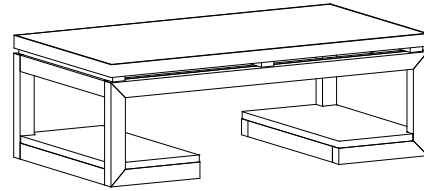


ASSEMBLY INSTRUCTIONS



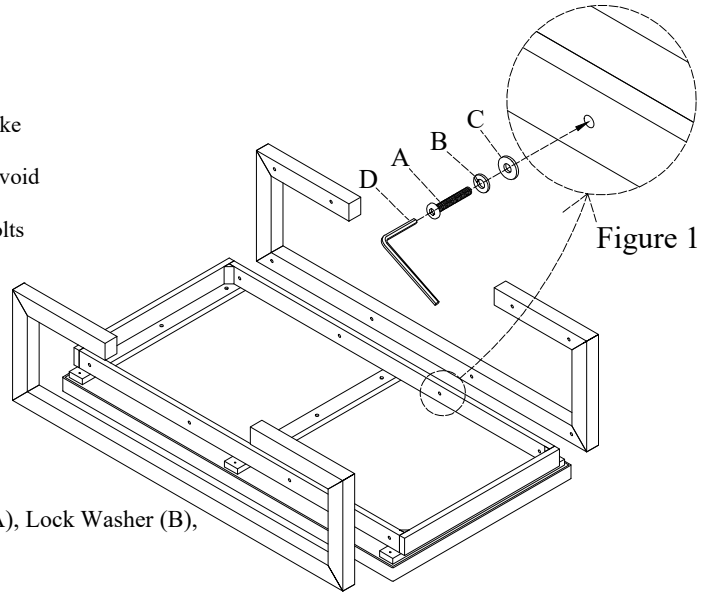
#208-910

TOOLS REQUIRED:

- Allen Wrench (Provided, Part D)
- Phillips Screwdriver (Not provided)

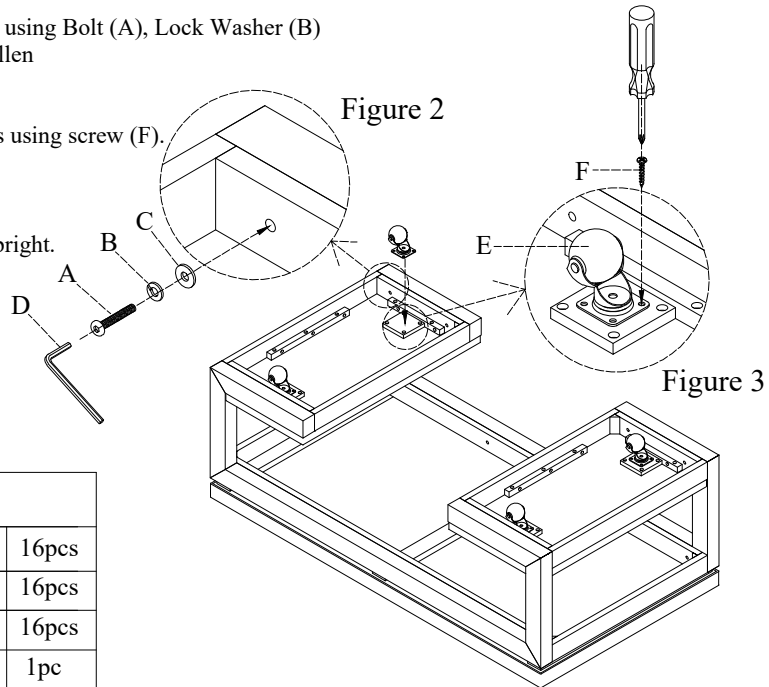
BEFORE YOU START:

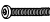


1. Check the hardware against the hardware list to make sure all items are present.
2. Assemble your furniture on a soft, flat surface to avoid scratching the finish.
3. **CAUTION:** Do not over tighten screws, nuts or bolts during assembly.
4. Your furniture may require occasional tightening.



INSTRUCTIONS:

1. Turn the table top on to a clean soft surface.
2. Attach the leg frames to the table top using Bolt (A), Lock Washer (B), Flat Washer (C) and Allen Wrench (D). As Shown in Figure 1.(Do not tighten bolts).
3. Attach the bottom shelves to the leg frames using Bolt (A), Lock Washer (B) and Flat Washer (C) and tighten with the Allen Wrench (D). As Shown in Figure 2.
4. Attach four casters (E) to the bottom shelves using screw (F). As shown in Figure 3.
5. Tighten all bolts before setting table back upright.



HARDWARE LIST			
A		Bolt (Ø1/4"*1-1/2")	16pcs
B		Lock Washer (Ø1/4")	16pcs
C		Flat Washer (Ø1/4"*3/4")	16pcs
D		Allen Wrench (4mm)	1pc
E		Caster	4pcs
F		Screw #6*3/4"	16pcs

