

ASSEMBLY INSTRUCTIONS

179-915

TOOLS REQUIRED:

Allen Wrench (Provided, Part C)

BEFORE YOU START:

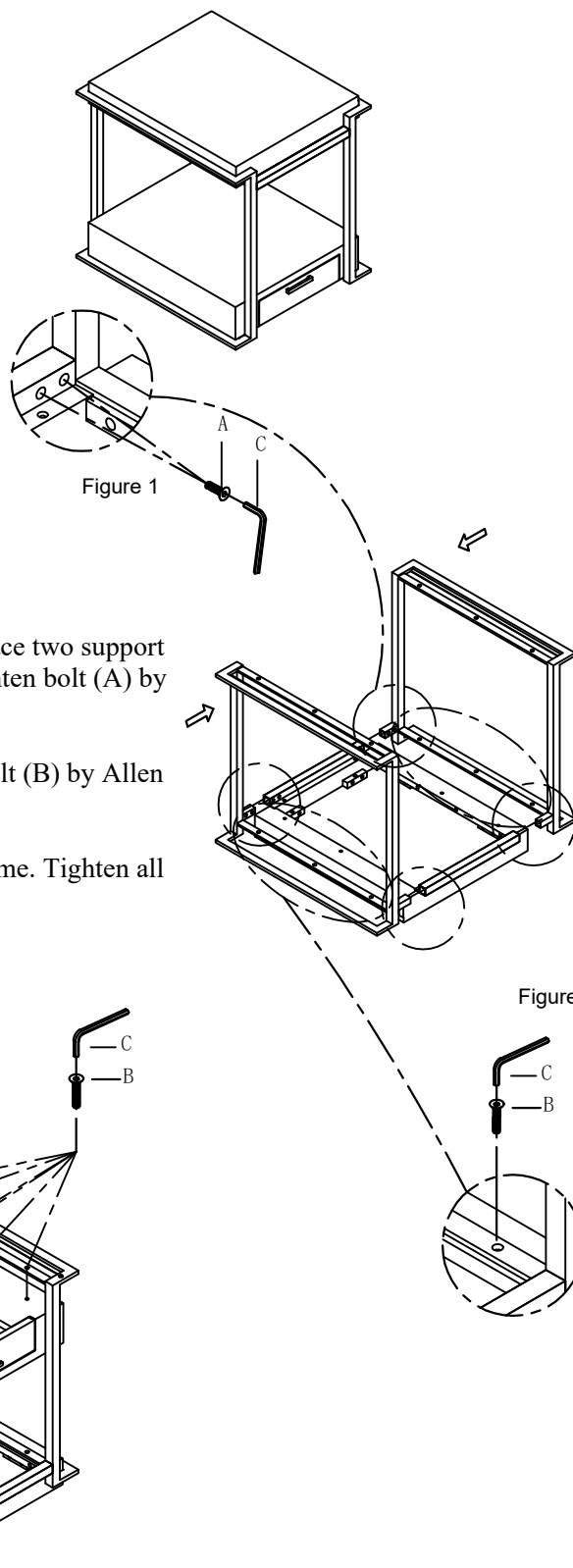
1. Check the hardwares against the hardware list to make sure all items are present.
2. Assemble your furniture on a soft, flat surface to avoid scratching the finish.
3. **CAUTION:** Do not over tighten screws, nuts or bolts during assembly.
4. Your furniture may require occasional tightening.


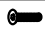

INSTRUCTIONS:

Step 1. Turn the top upside down on a clean soft surface. Place two support legs to make the holes align with the hole on top frame. Tighten bolt (A) by Allen Wrench (C) as shown in Figure 1.

Step 2. Place the bottom stretcher to legs and tighten with bolt (B) by Allen Wrench (C) as shown in Figure 2.

Step 3. Attach the bottom shelf with drawer to the metal frame. Tighten all bolts (B) by Allen Wrench (C) as shown in Figure 3.



HARDWARE LIST			
A		Short Bolt (Ø1/4"*5/8")	8pcs
B		Long Bolt (Ø1/4"*1")	12pcs
C		Allen Wrench (100*50*4mm)	1pc