

# ASSEMBLY INSTRUCTION

Thank you for purchasing this quality product. Be sure to check all packing material carefully for small parts which may have come loose inside the carton during shipment. Separate, identify and count all parts and hardware. Compare with the parts list to be sure all parts are present.

**IMPORTANT : PLEASE READ INSTRUCTION BEFORE STARTING THE ASSEMBLY.**

**"DO NOT TIGHTEN SCREWS UNTIL COMPLETELY ASSEMBLED"**

**"DO NOT OVERTIGHT ANY HARDWARE"**

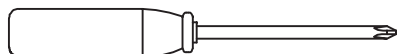
**WARNING : SMALL PARTS AND HARDWARE NOT FOR CHILDREN UNDER 3 YEARS. ADULT ASSEMBLY REQUIRED.**

## TABLE OF CONTENTS

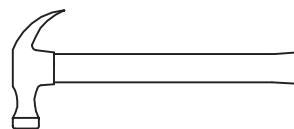
|                    |            |
|--------------------|------------|
| PARTS LIST         | PAGE 2     |
| PARTS' LOCATION    | PAGE 3     |
| ASSEMBLY STEPS     | PAGE 4 - 6 |
| ASSEMBLY COMPLETED | PAGE 6     |

## ASSEMBLY TOOLS REQUIRED

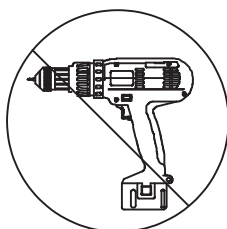
### 1. Screwdriver (not provide)



### 2. Hammer (not provide)

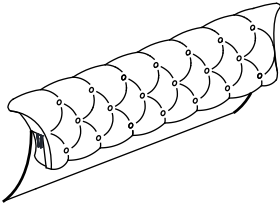
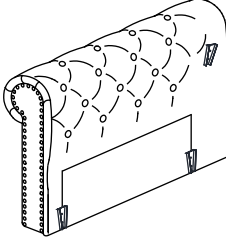
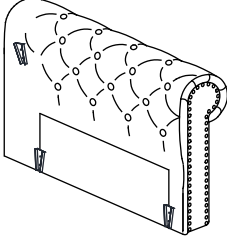
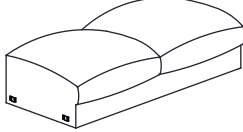
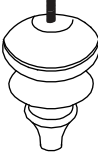


Skip the power drill this time.



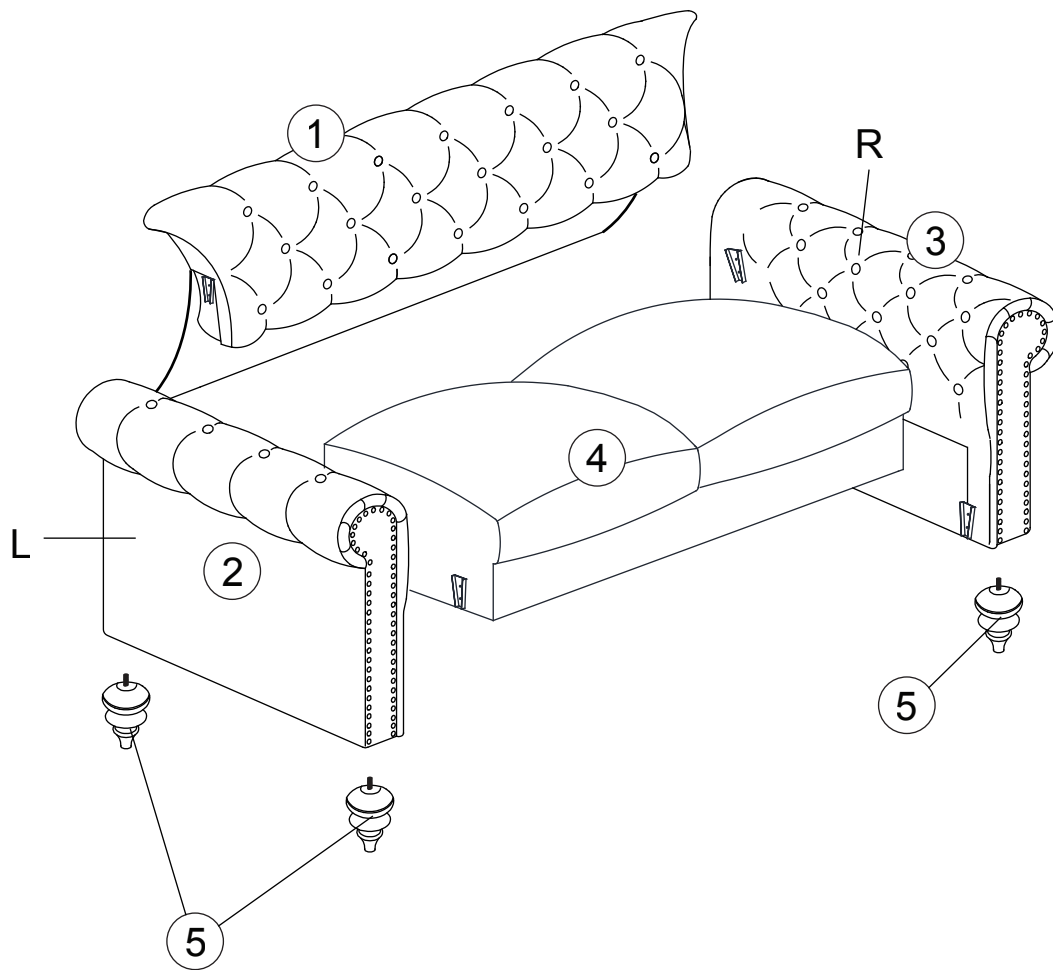
# ASSEMBLY INSTRUCTION

## PARTS LIST

| ITEM | DESCRIPTION    | DRAWING  | QTY  |
|------|----------------|--|------|
| 1    | BACK REST      |    | 1 PC |
| 2    | SIDE PANEL (L) |    | 1 PC |
| 3    | SIDE PANEL (R) |   | 1 PC |
| 4    | SEAT           |  | 1 PC |
| 5    | LEG            |  | 4PCS |

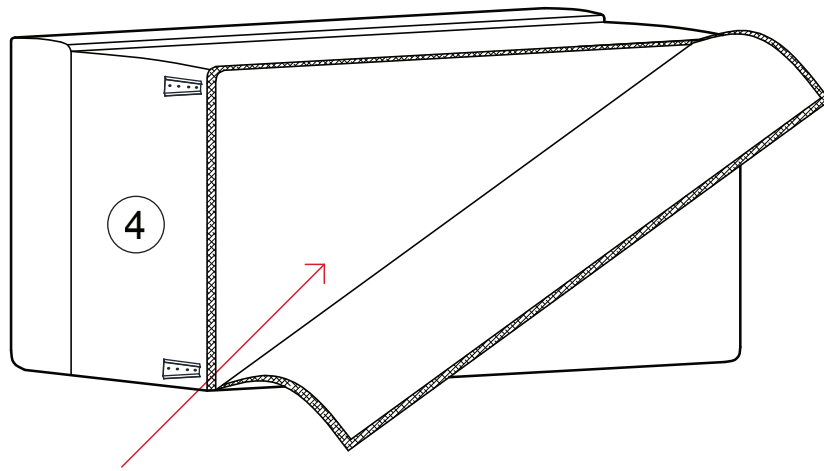
# ASSEMBLY INSTRUCTION

## PARTS ' LOCATION



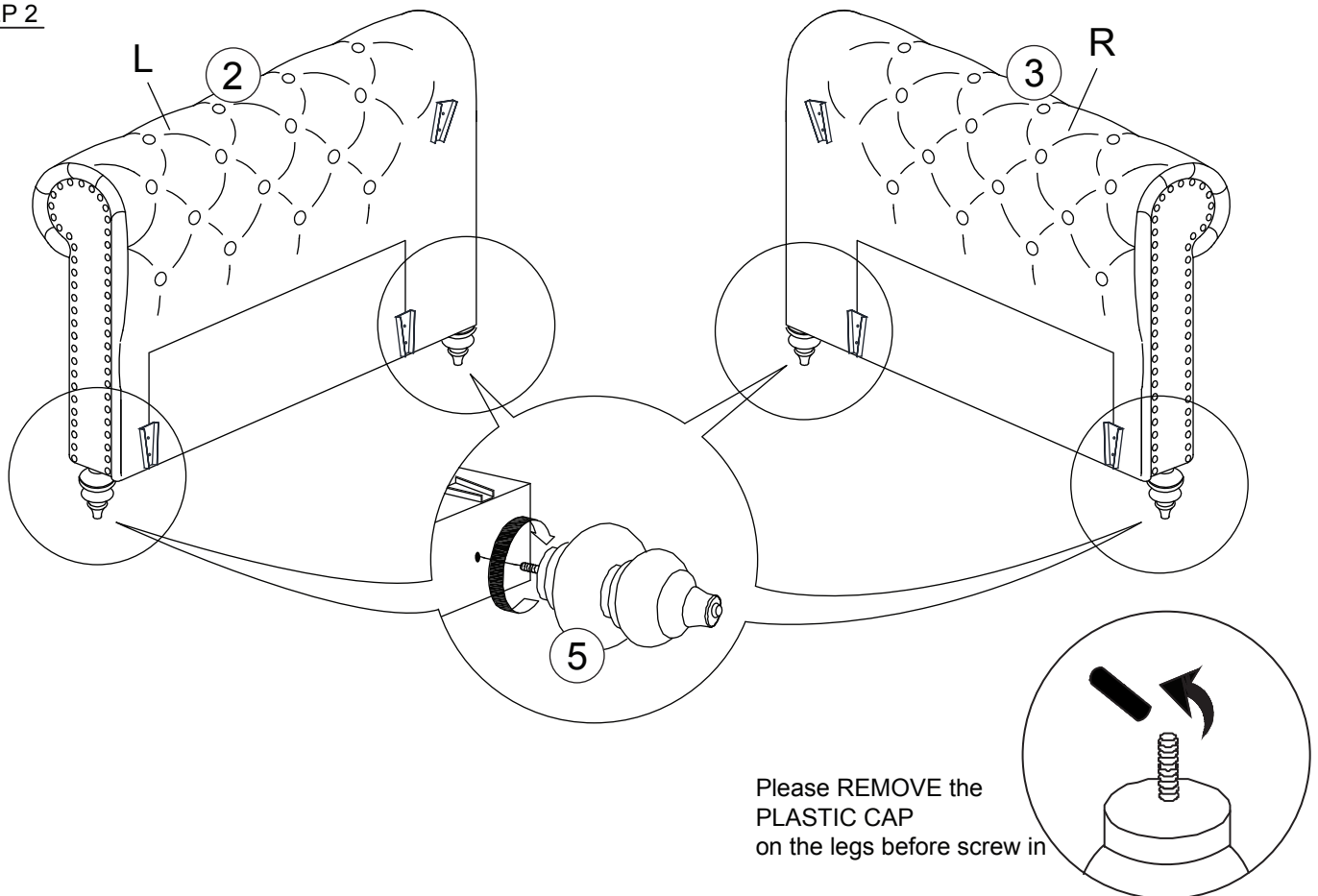
# ASSEMBLY INSTRUCTION

## STEP 1



Get all others parts from compartment of seat frame.

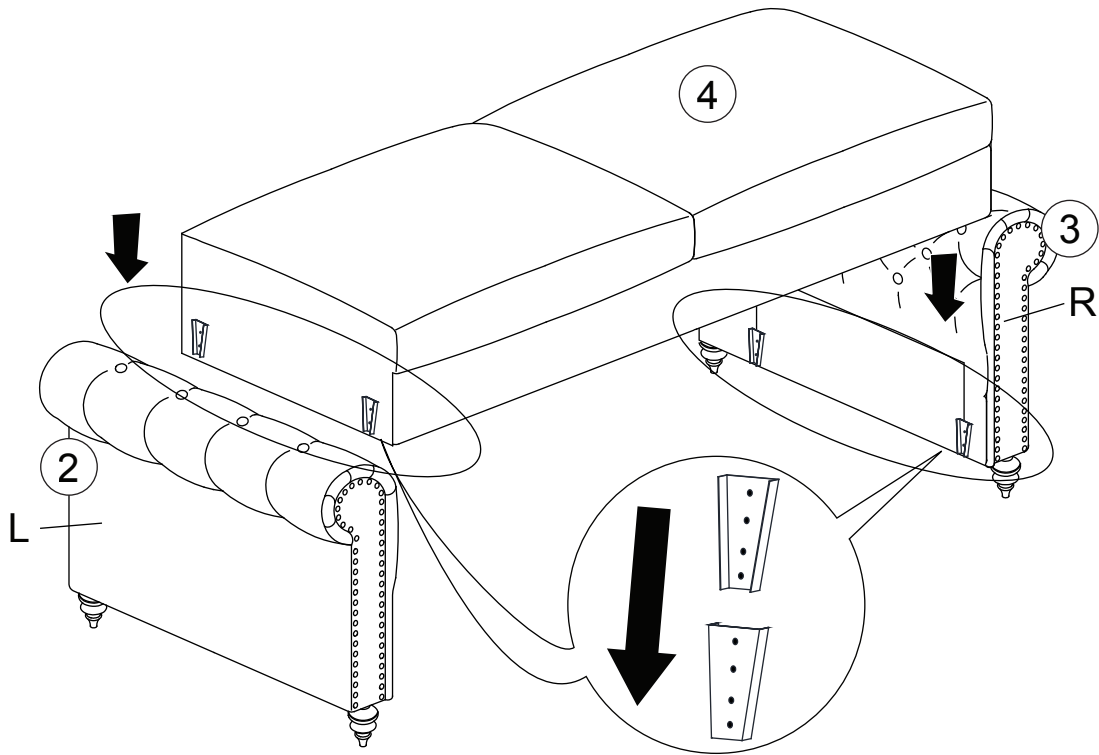
## STEP 2



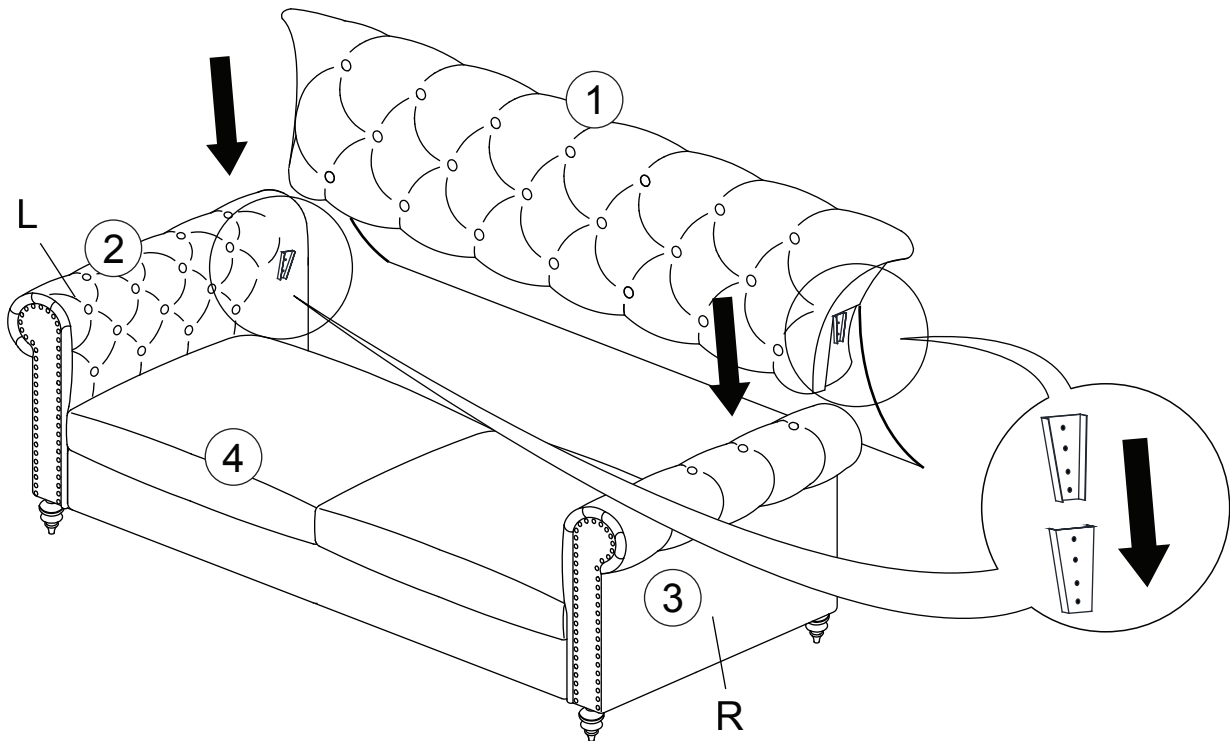
Please REMOVE the PLASTIC CAP on the legs before screw in

# ASSEMBLY INSTRUCTION

## STEP 3

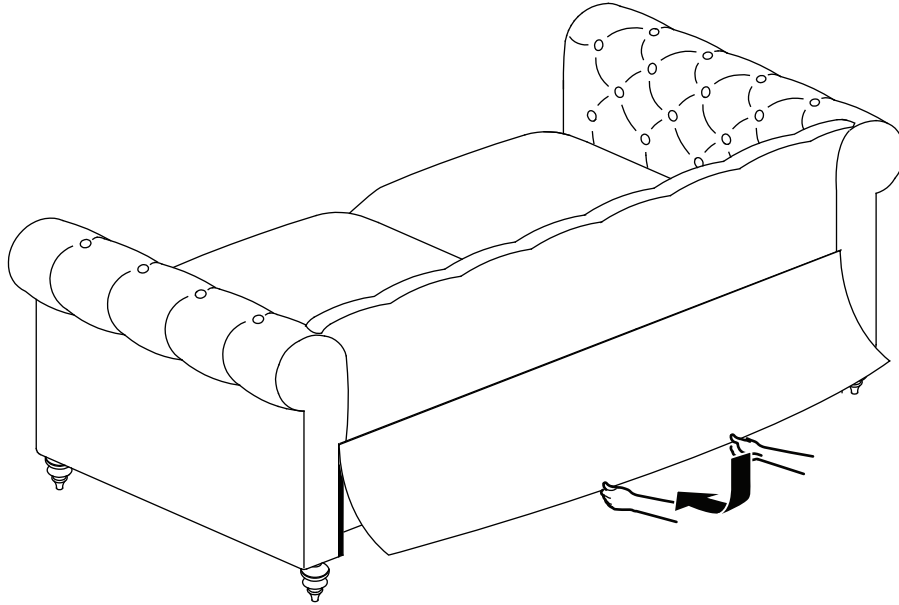


## STEP 4

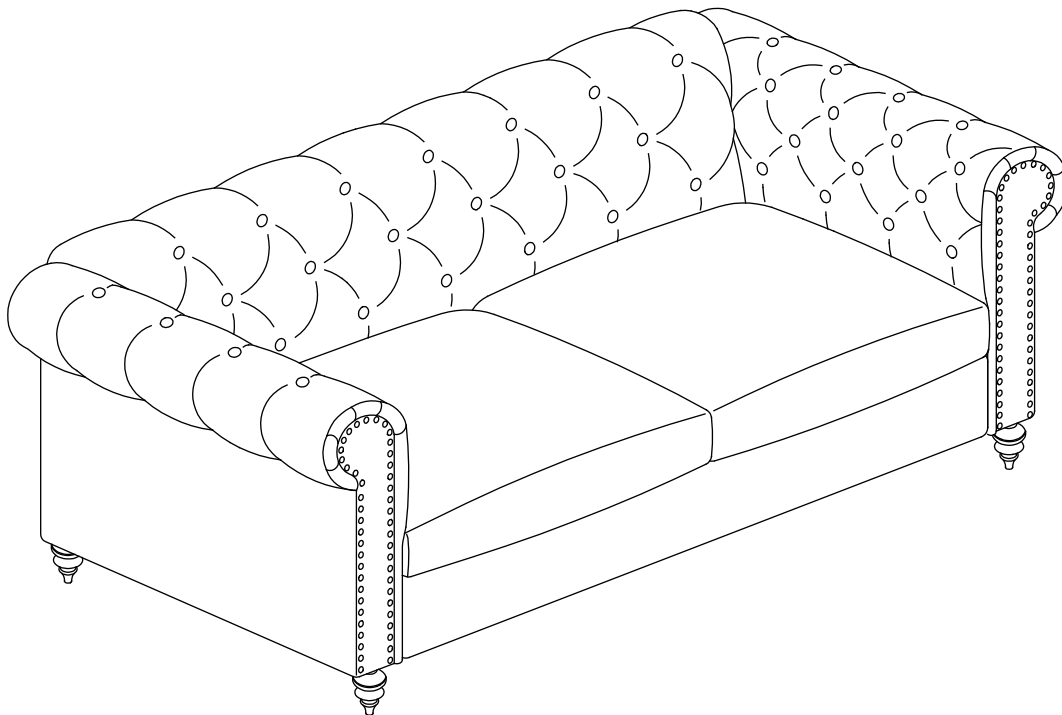


# ASSEMBLY INSTRUCTION

## STEP 5



## STEP 6



**ASSEMBLY COMPLETED**