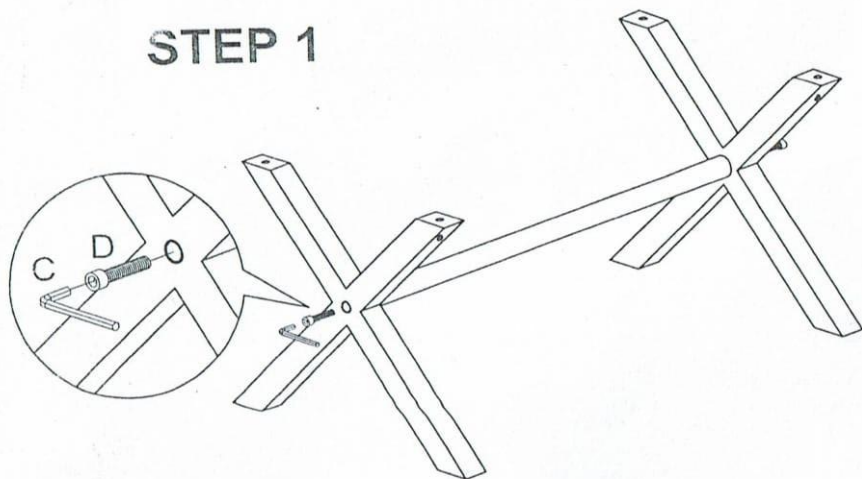
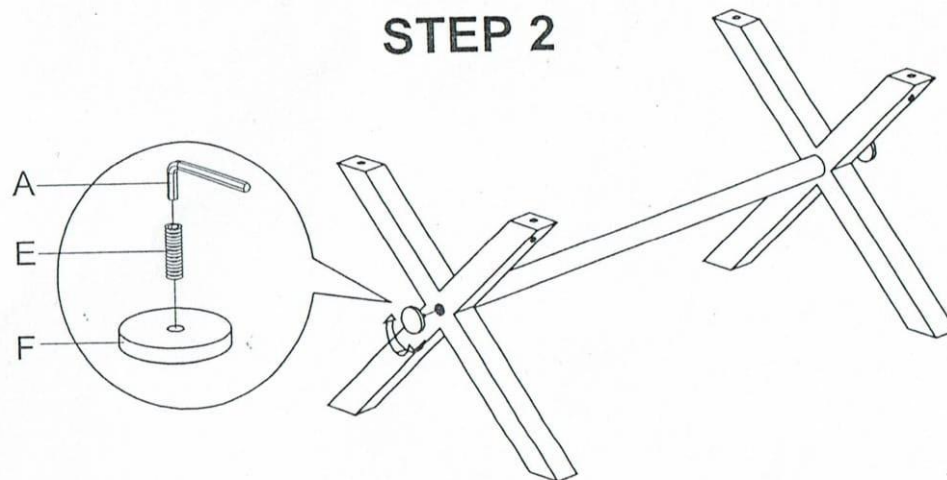


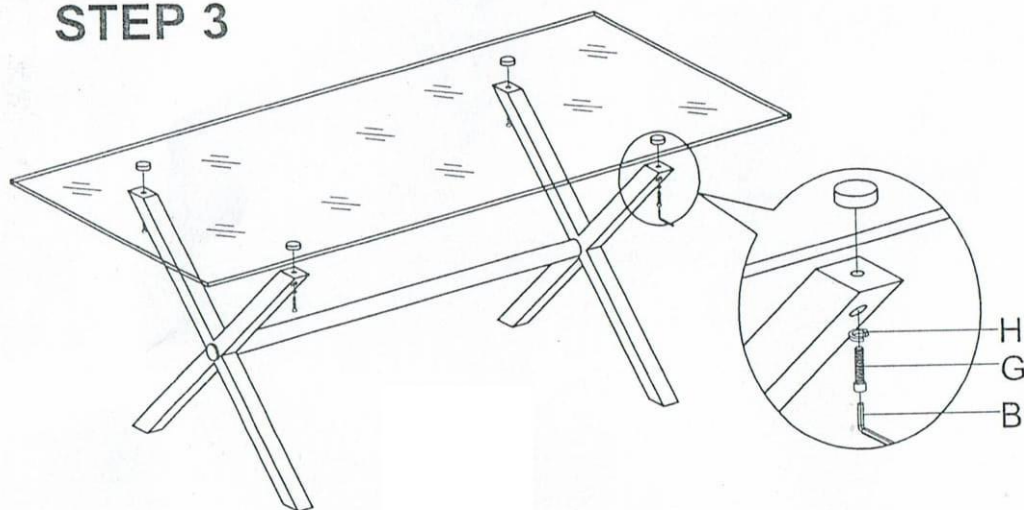
### STEP 1



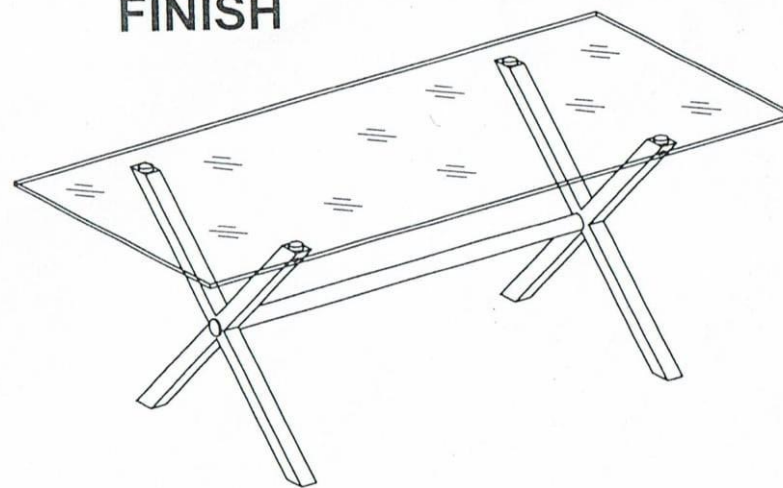
### STEP 2











### STEP 3



### FINISH



A	B	C	D	E	F	G	H
							
3MM 1PC	6MM 1PC	8MM 1PC	M10x55 2PCS	M6x25 2PCS	Ø50x6 2PCS	M8x25 4PCS	Ø8 4PCS