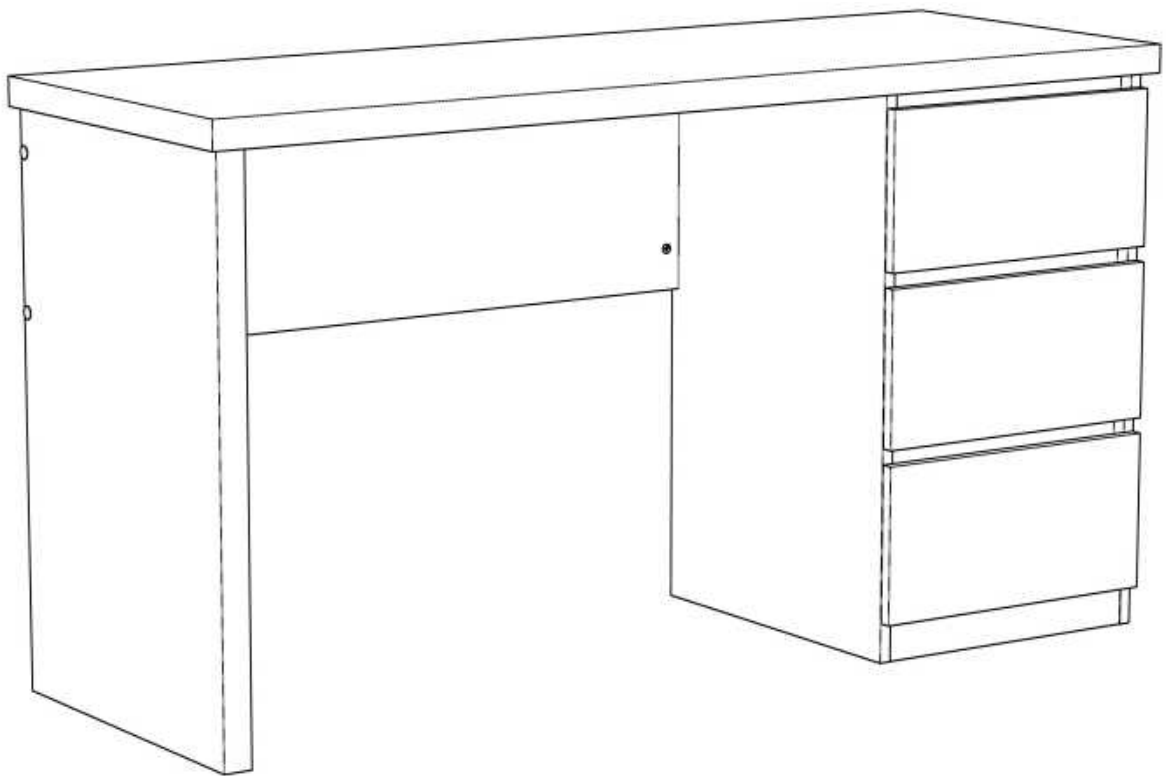
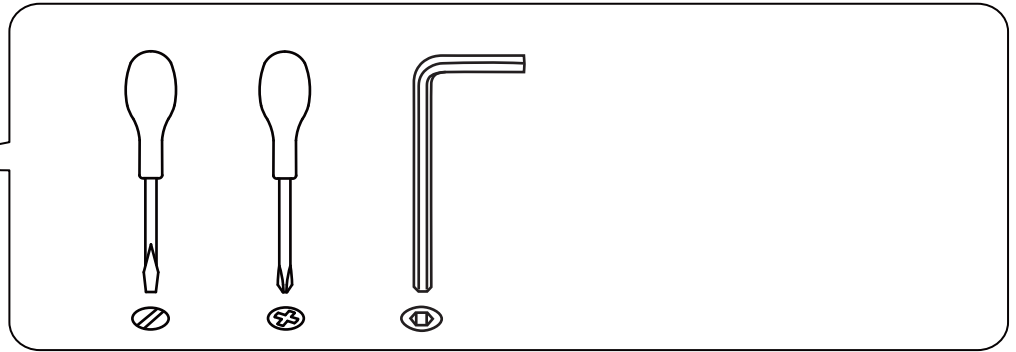
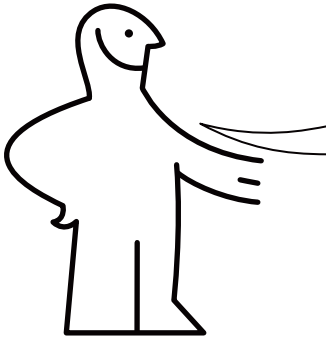


ASSEMBLY INSTRUCTIONS

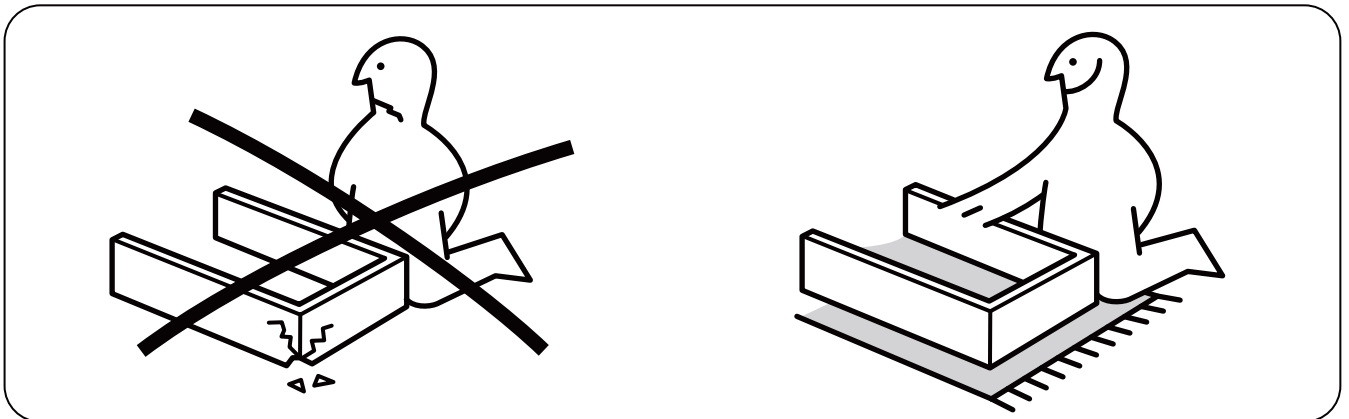
COMPUTER DESK



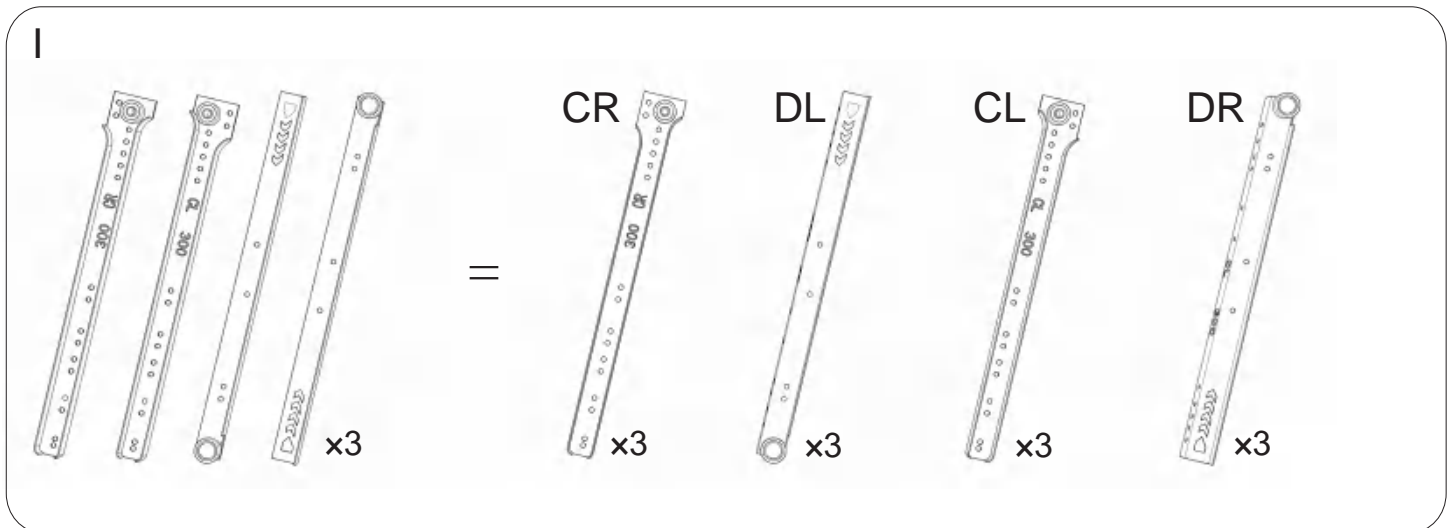
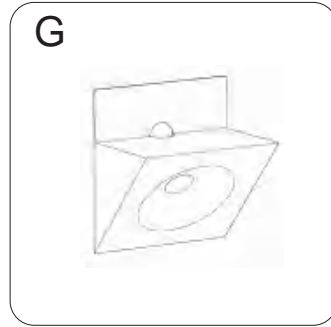
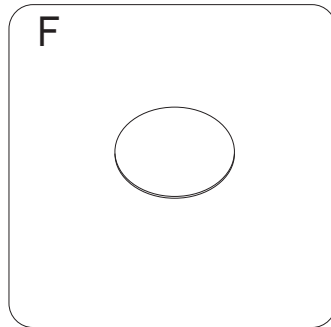
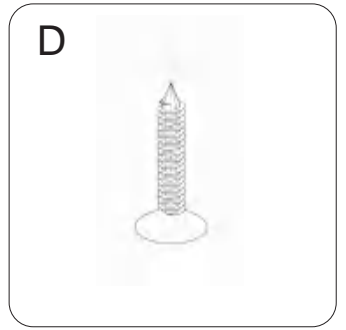
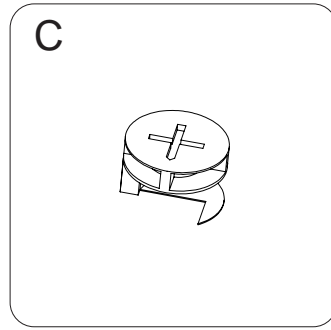
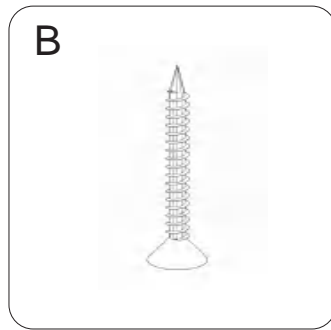
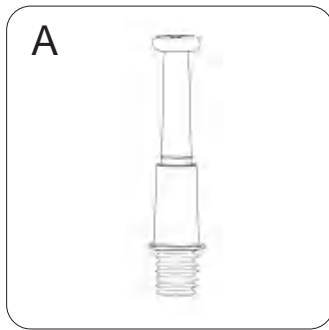
Tools Required For Assembly



Assemble Item On a Clean Flat Surface



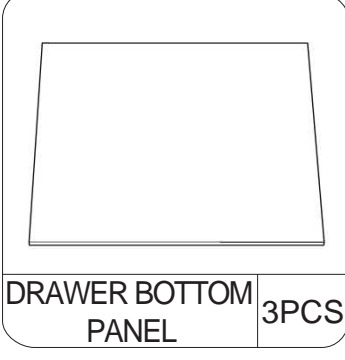
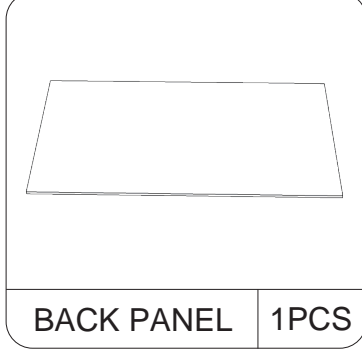
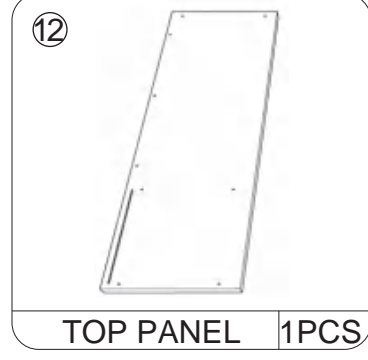
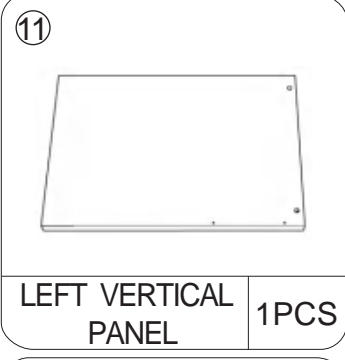
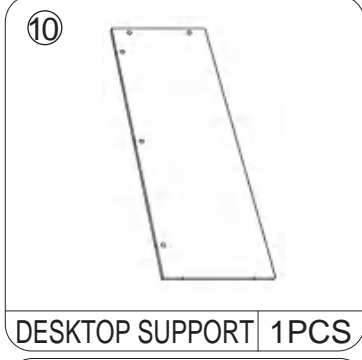
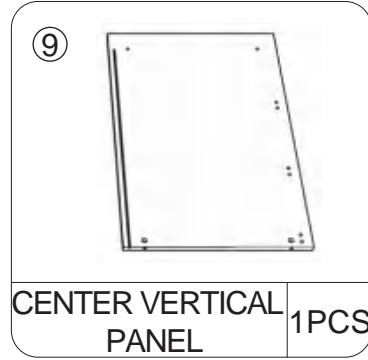
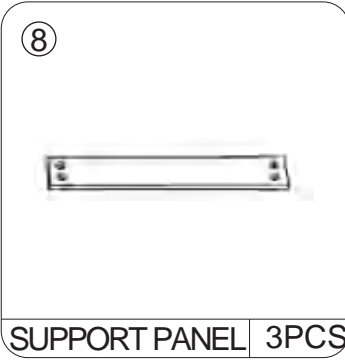
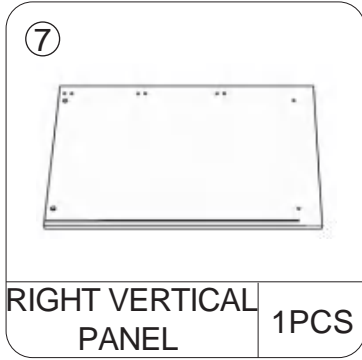
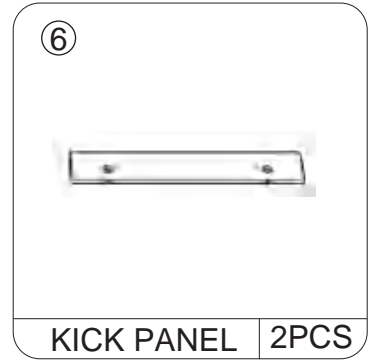
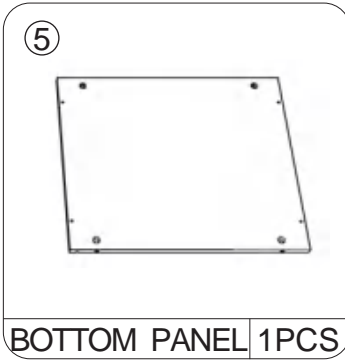
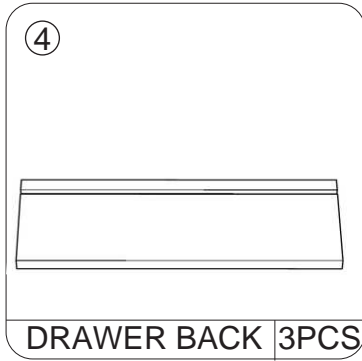
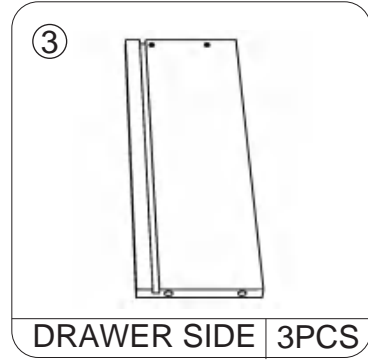
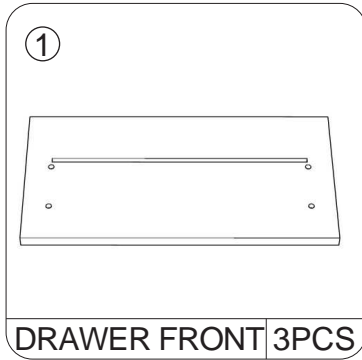
PARTS:



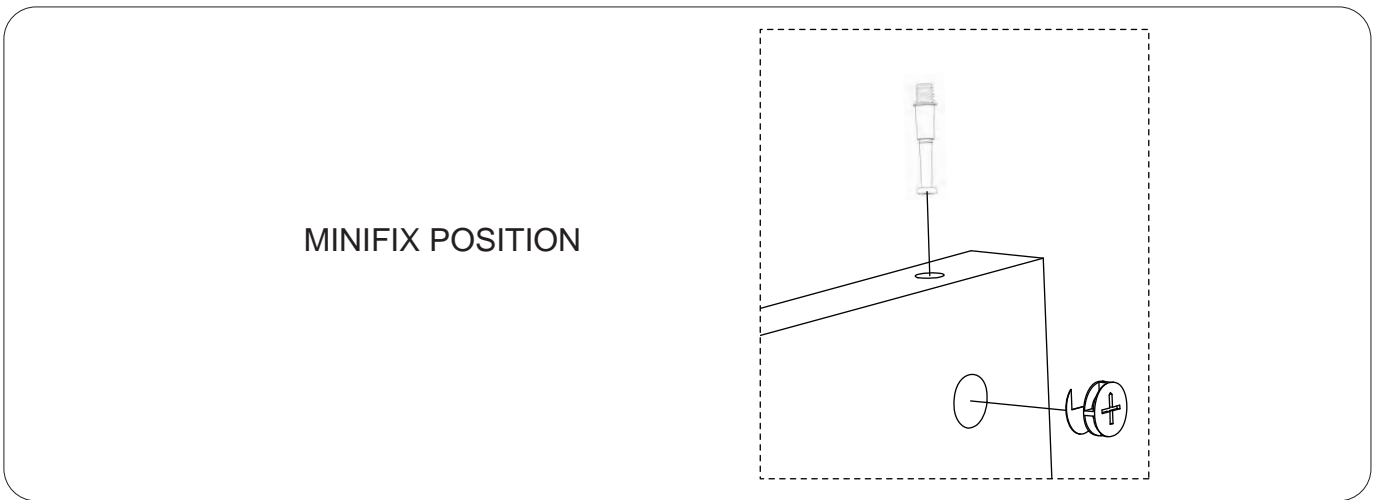
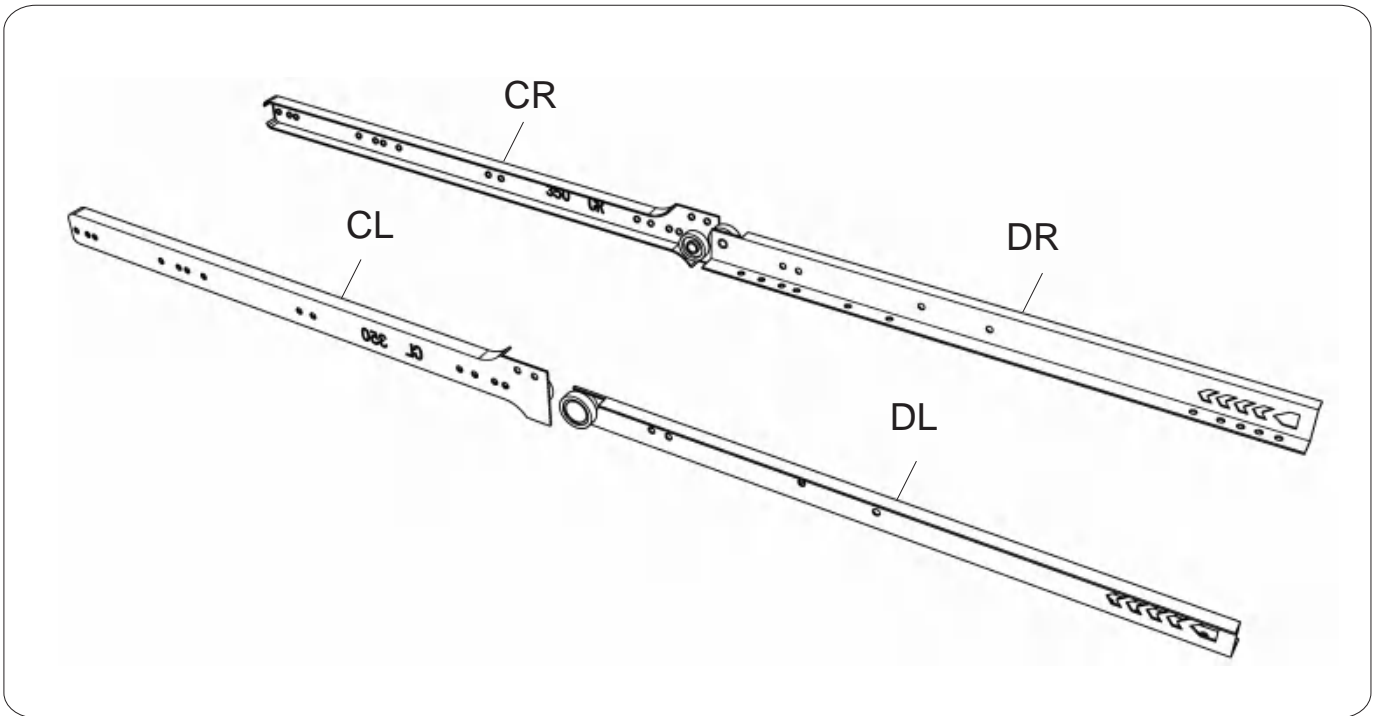
USEFUL HINTS BEFORE YOU START:

1. Read each step carefully before starting.
2. It is important that each step is performed in correct order to avoid difficulties.
3. Identify, soft and count the parts before assembly.
4. Assemble your furniture on packaging cardboard to prevent scratch or damage.
5. Clean the product with mild cleanser using soft damped cloth. Do not use harsh or abrasive cleanser.
6. Using incompatible hardware might cause damage to product.
7. If there are any missing parts, please send us an email and we will send them to you.

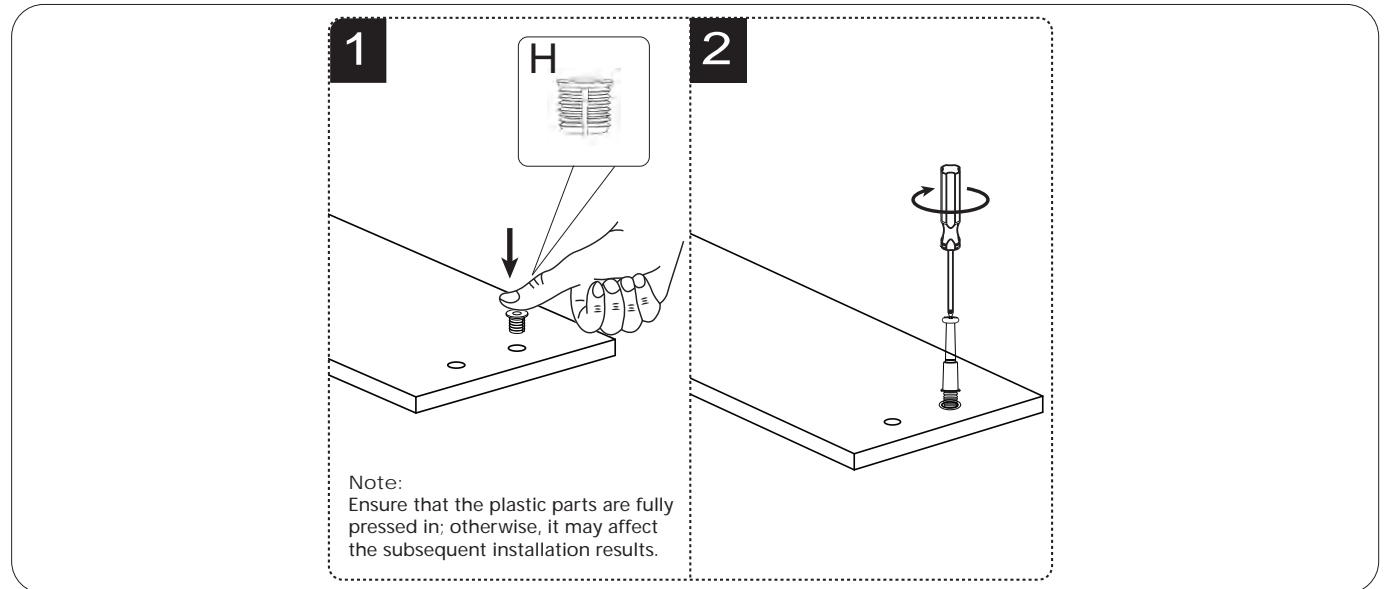
PARTS LIST:



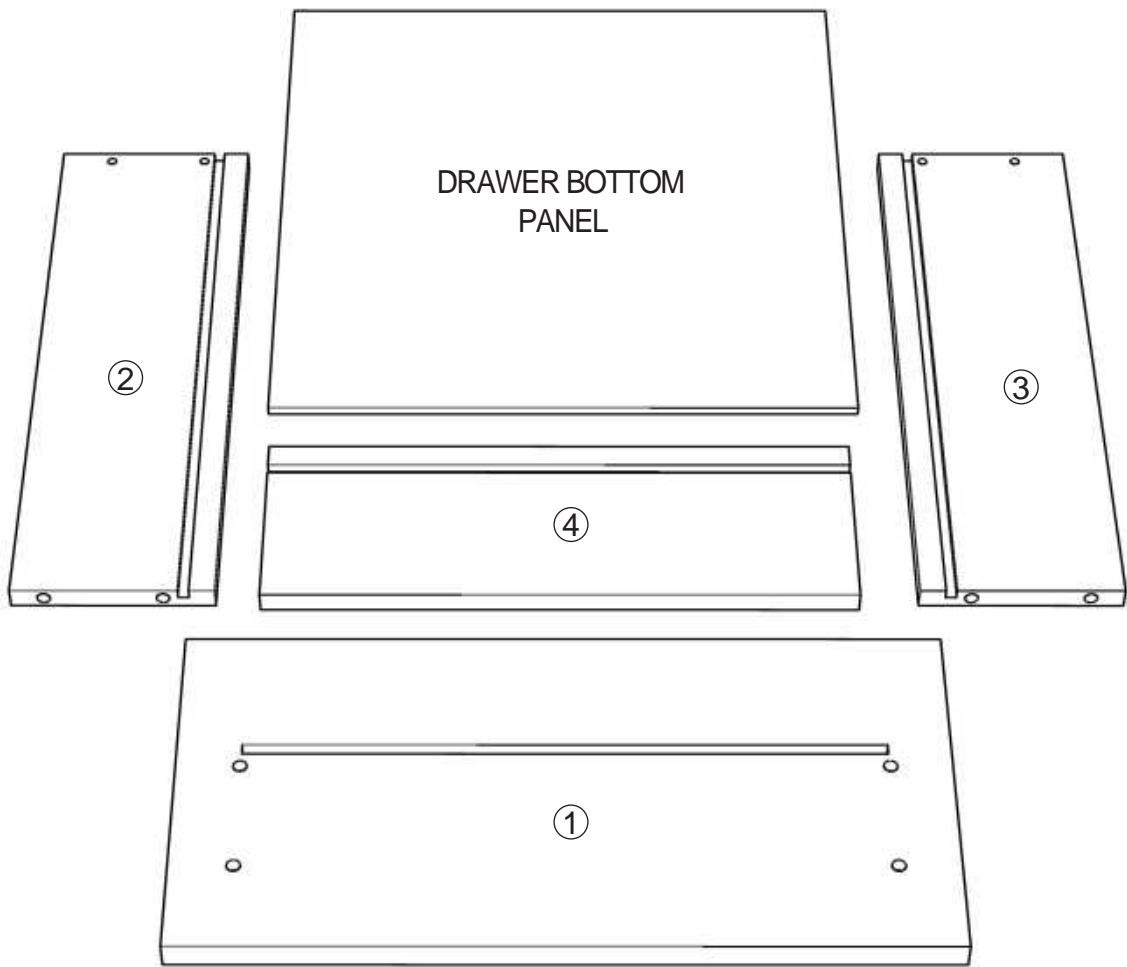
REMARK:



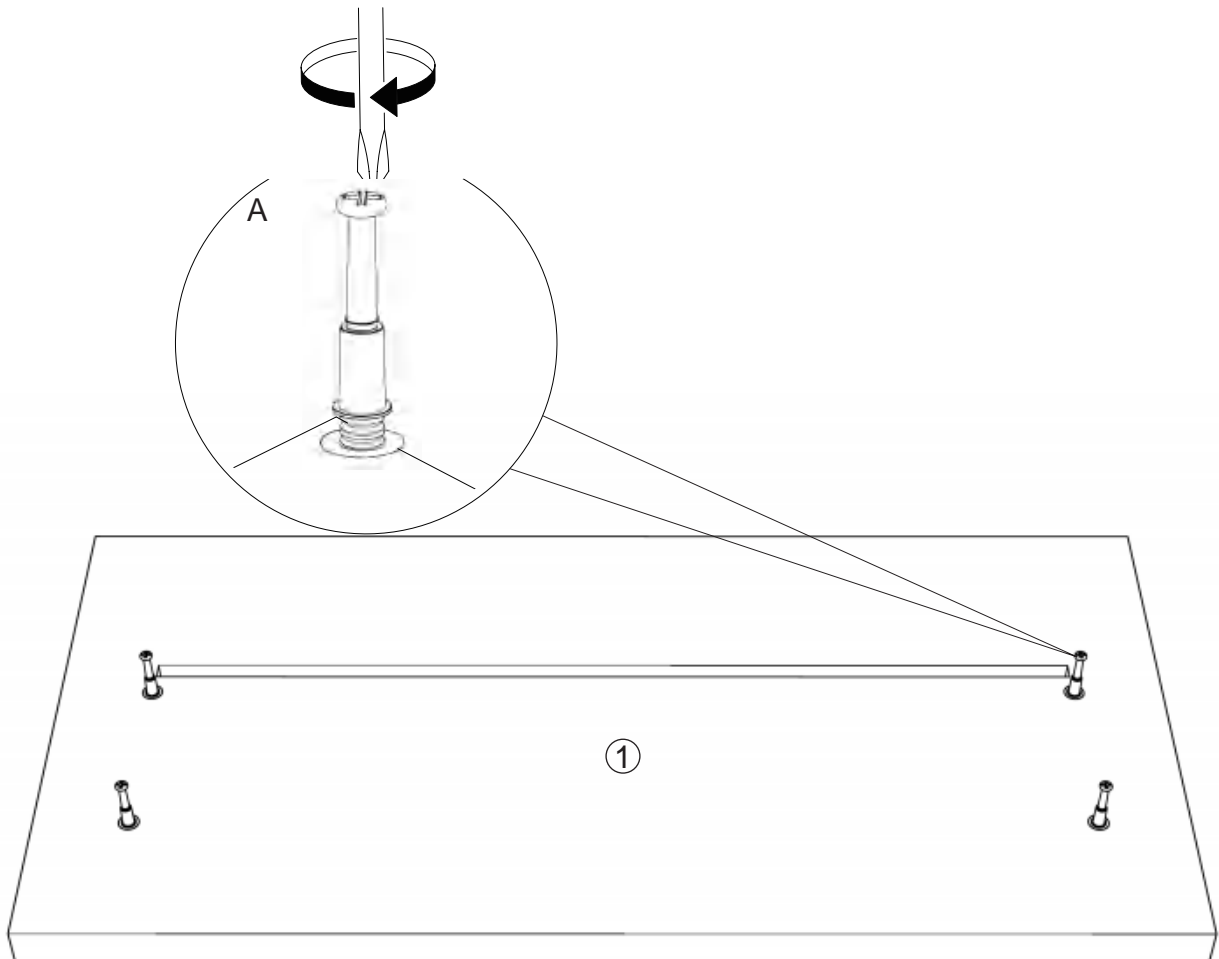
How to install camlock bolt:



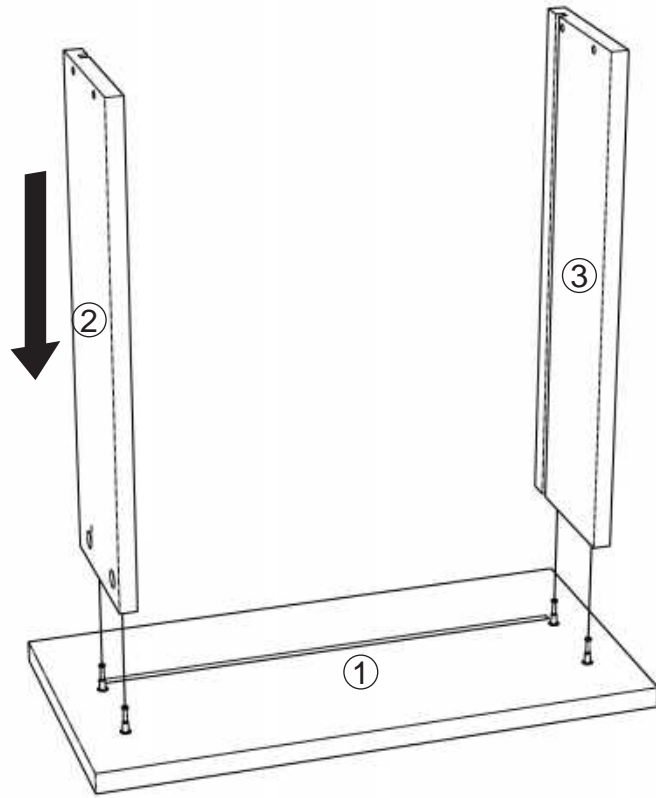
1.



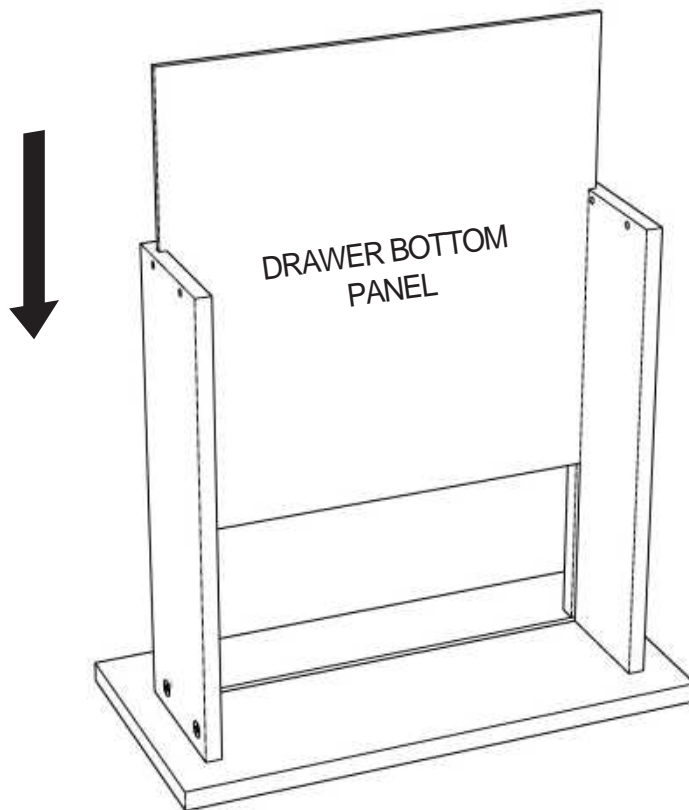
2.



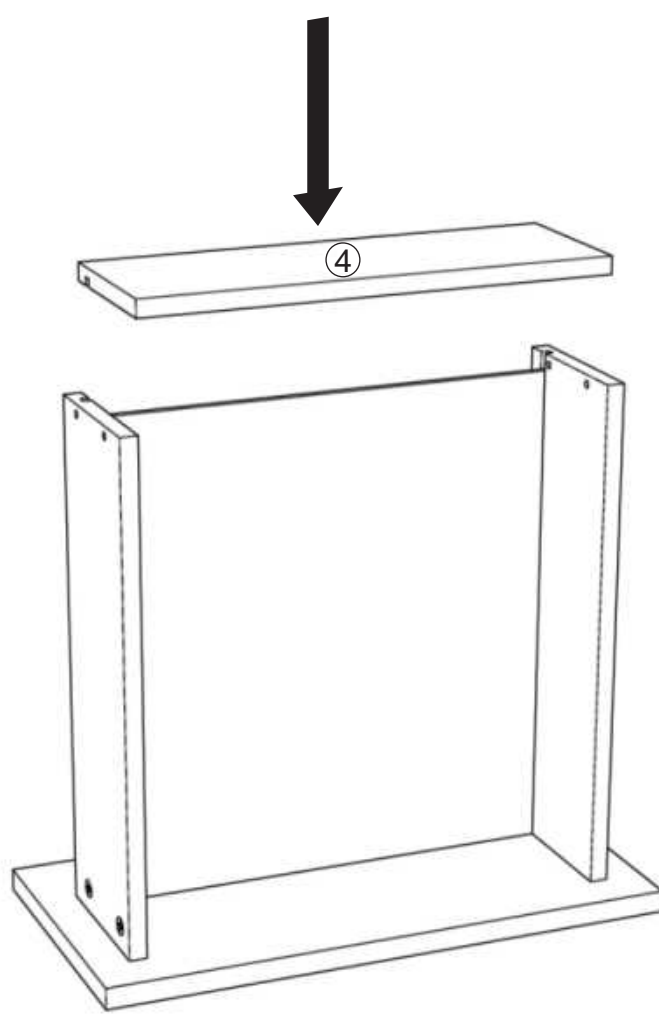
3.



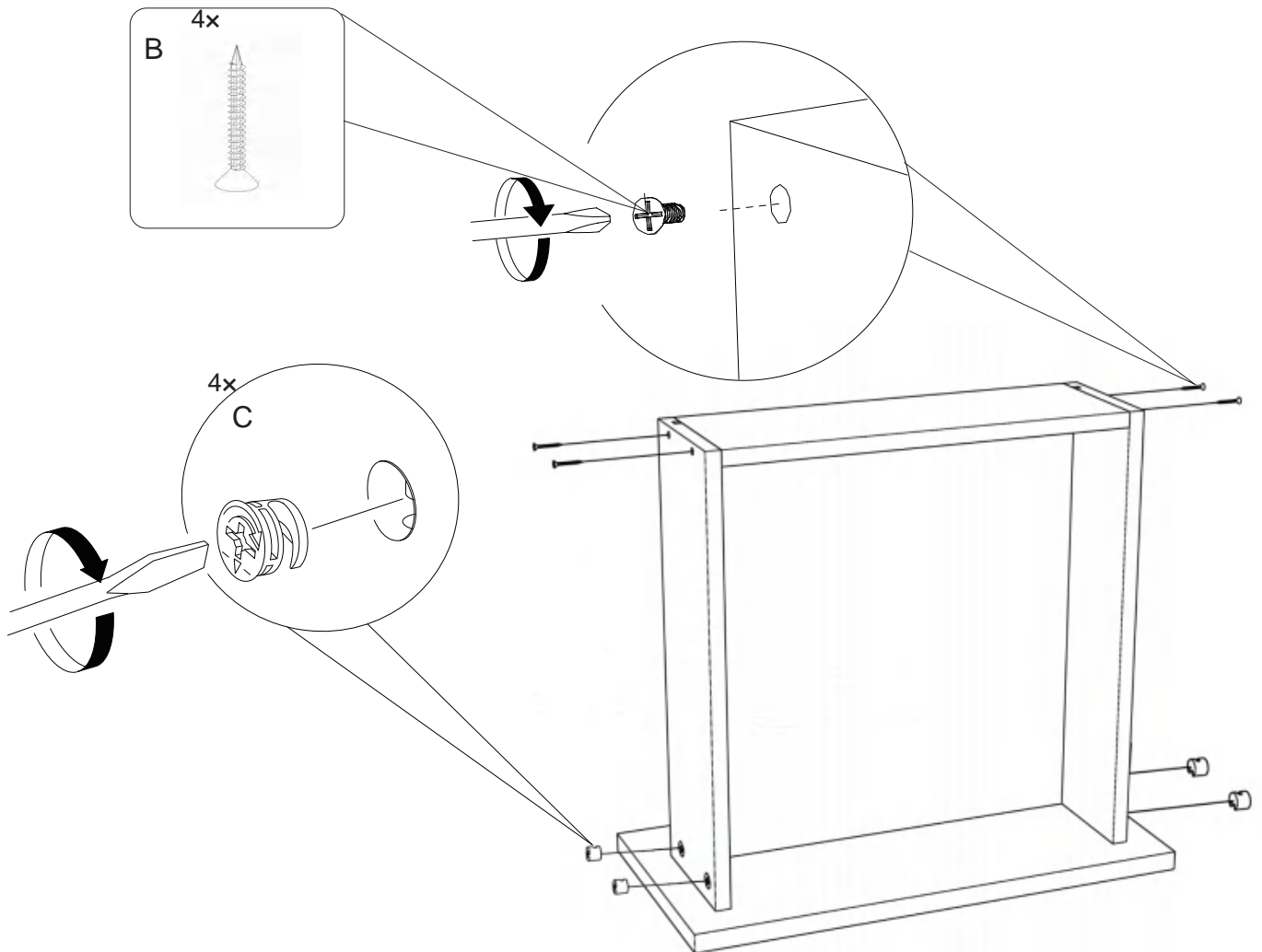
4.



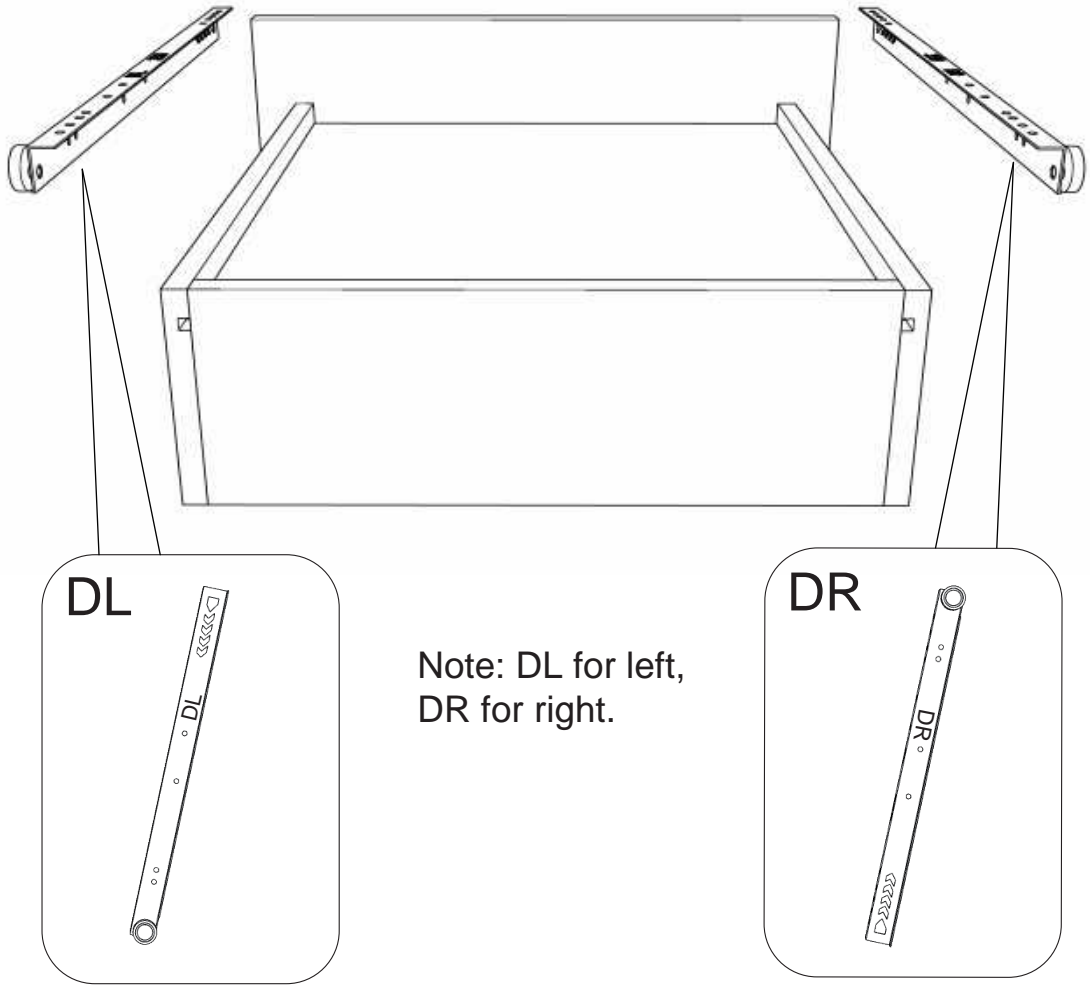
5.



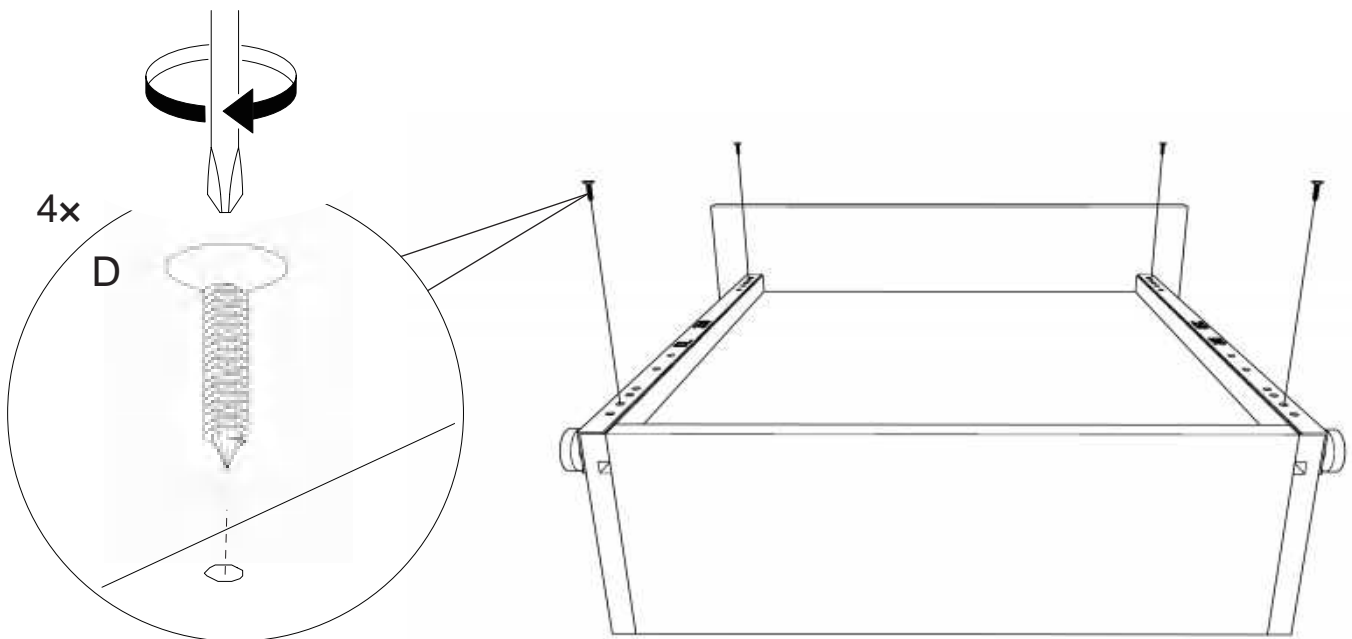
6.



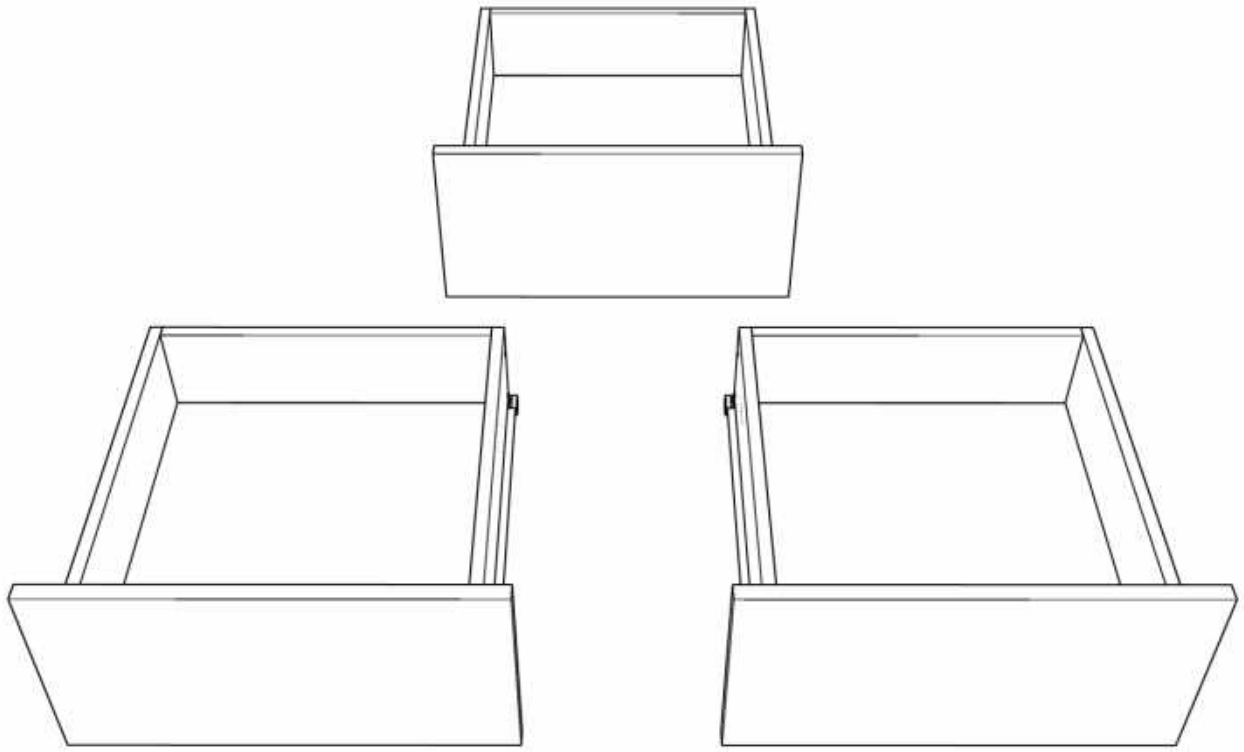
7.



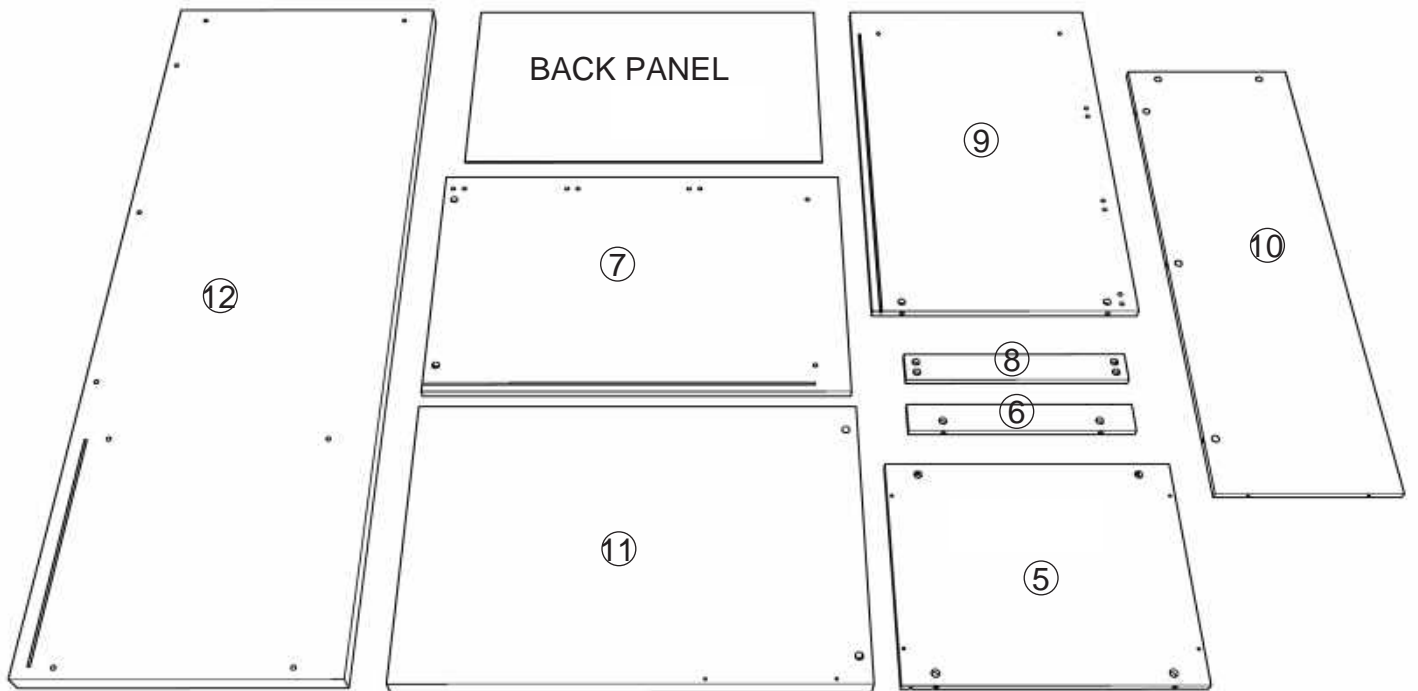
8.



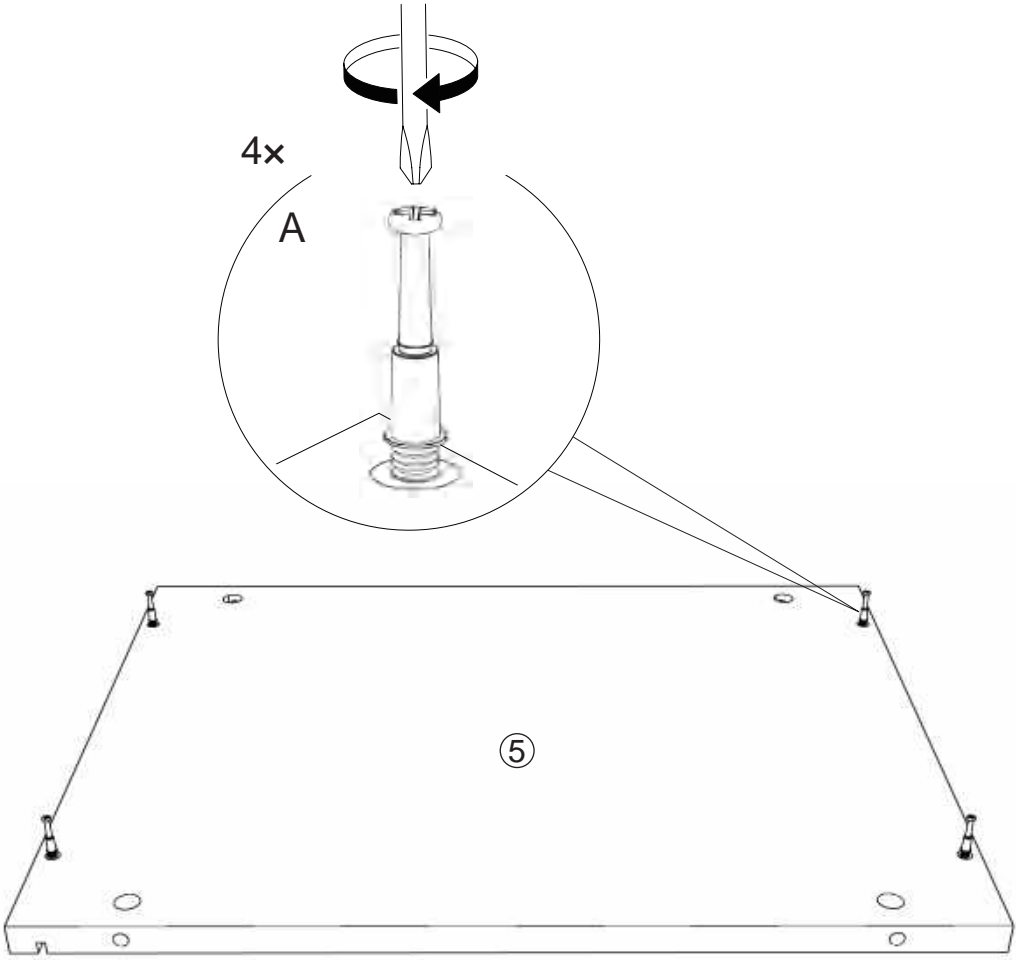
9.



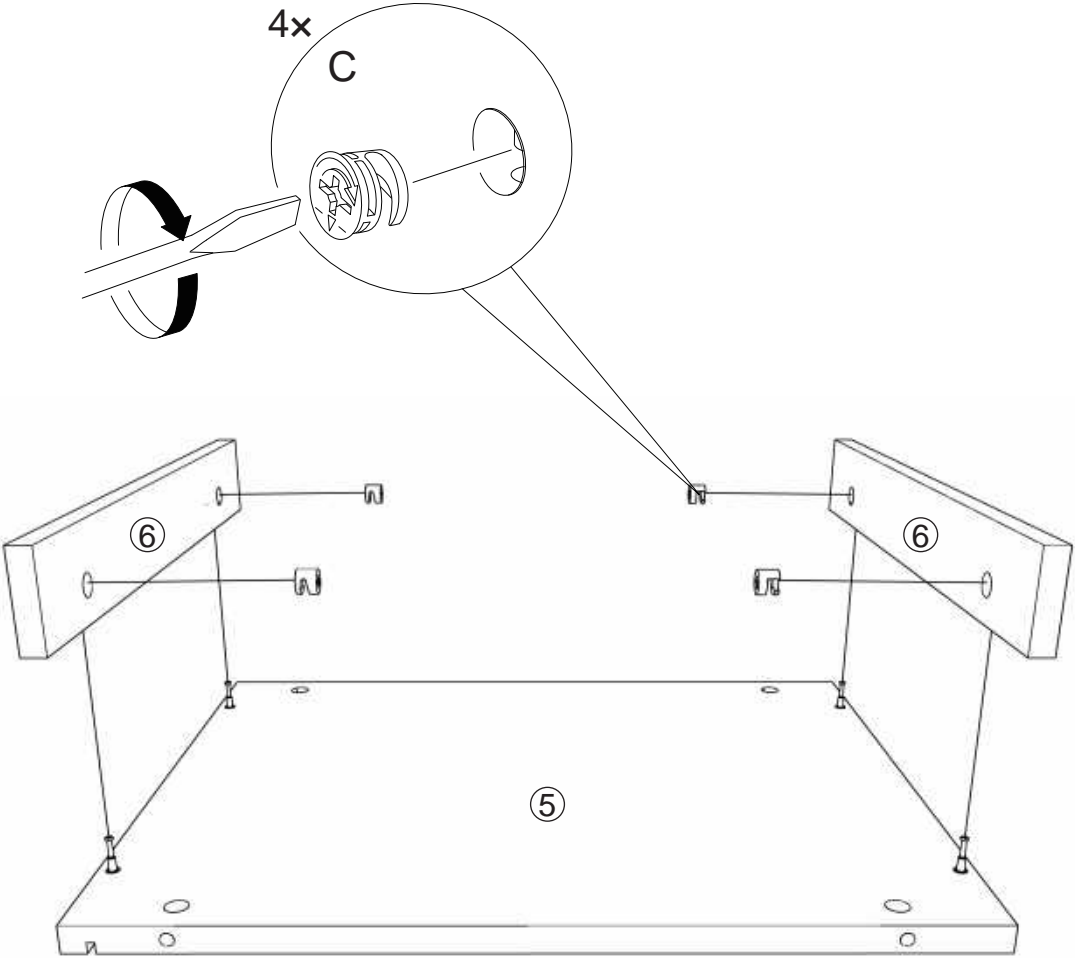
10.



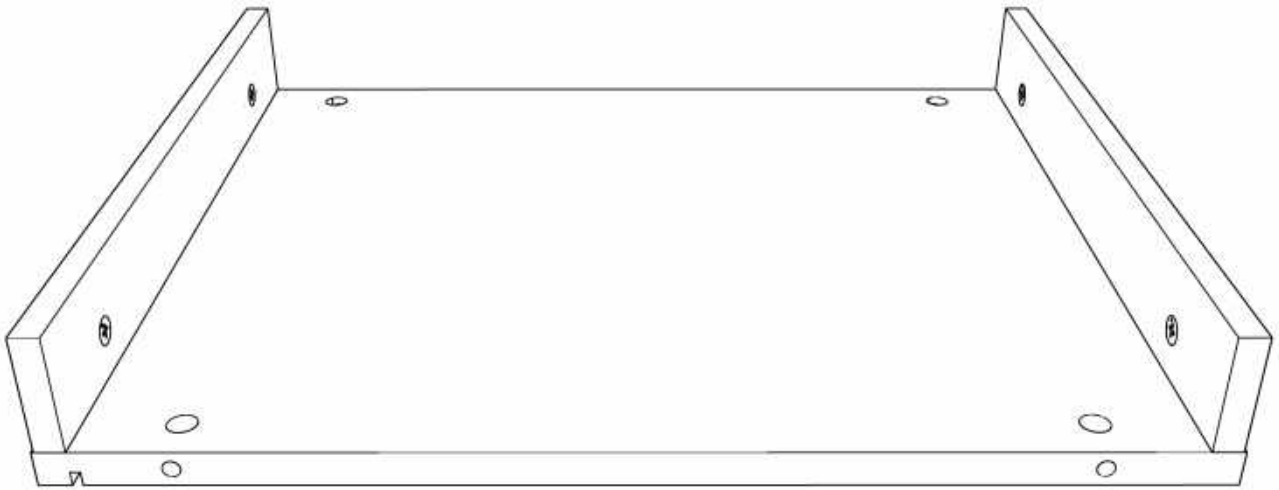
11.



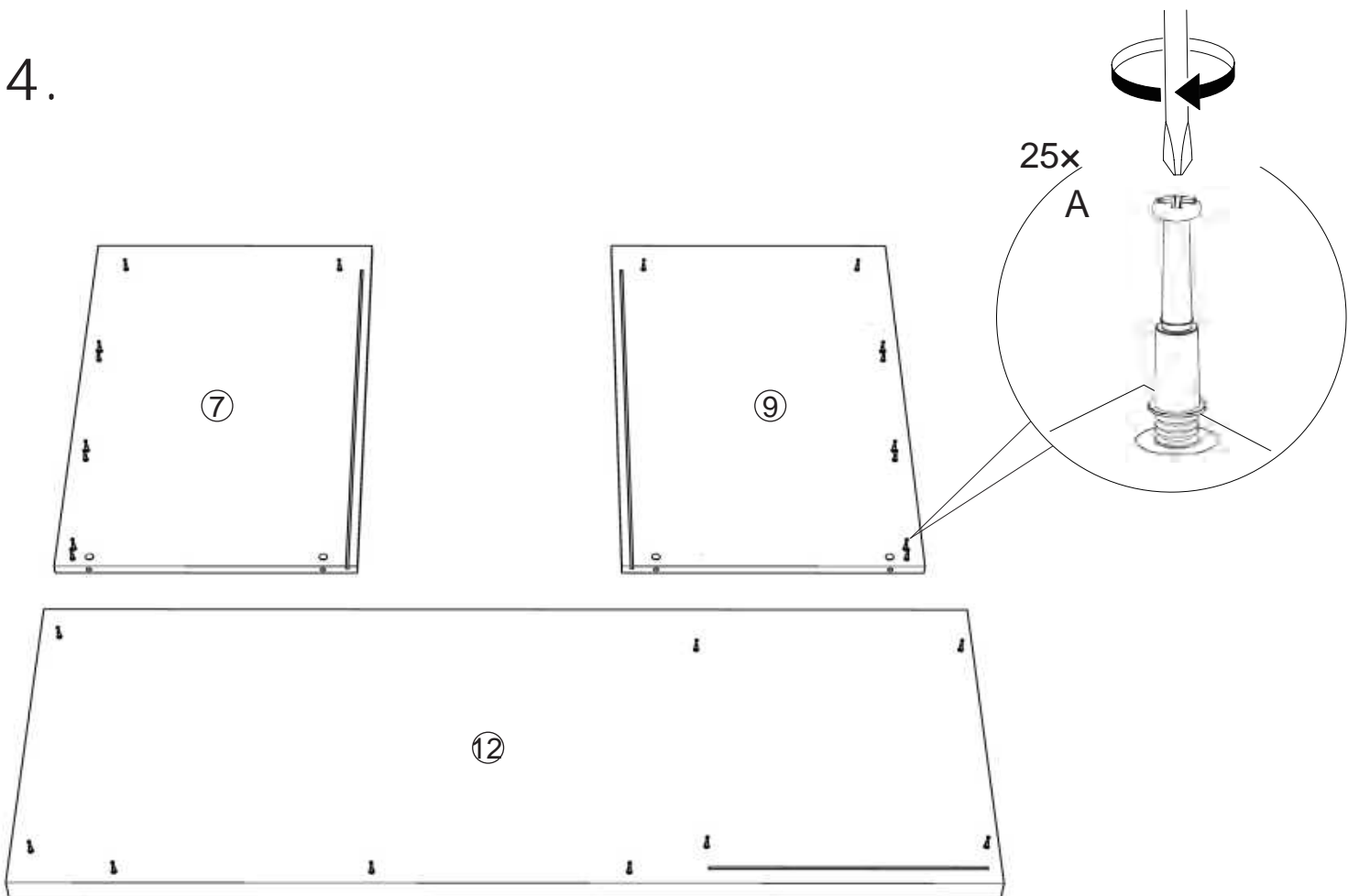
12.



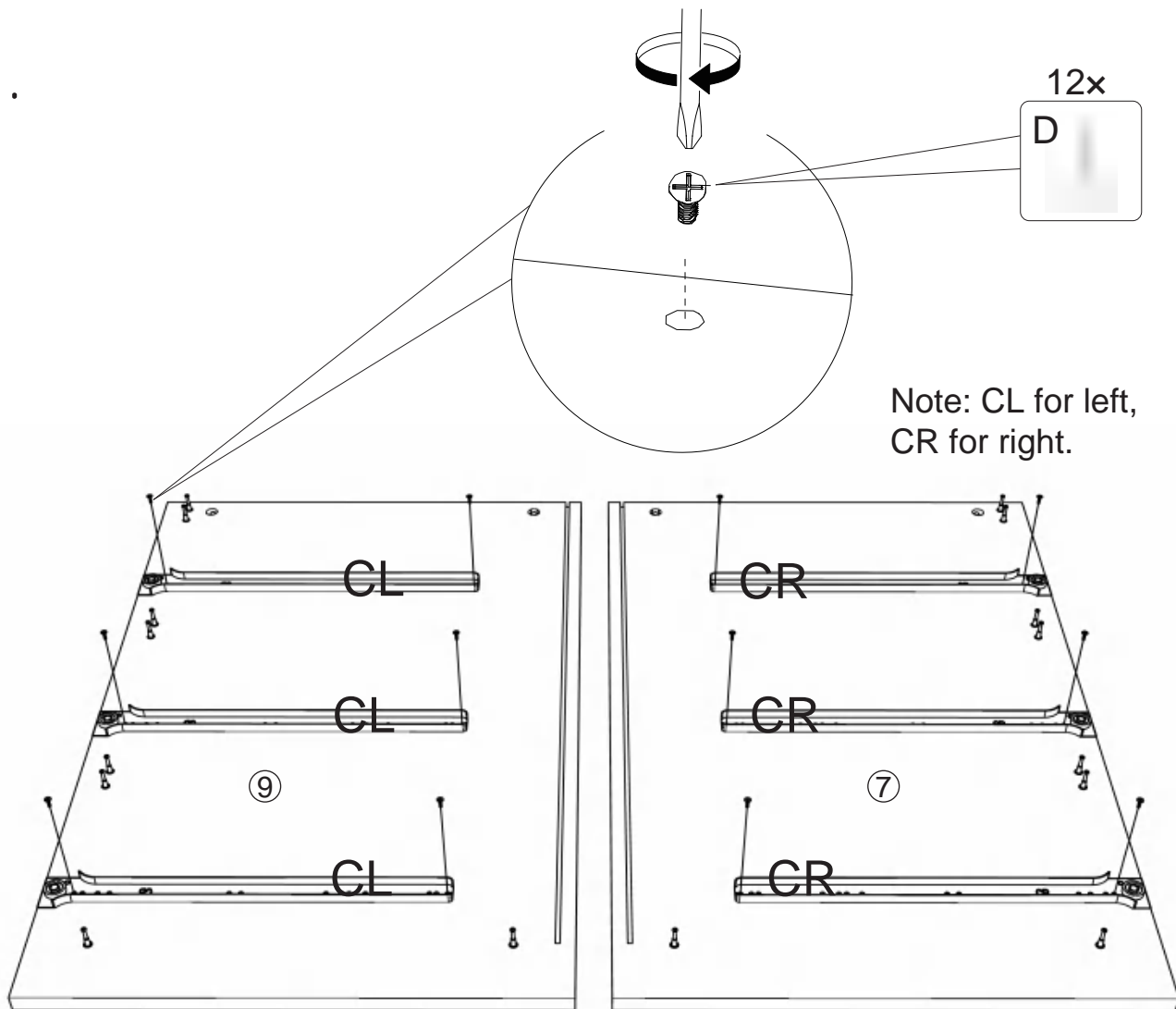
13.



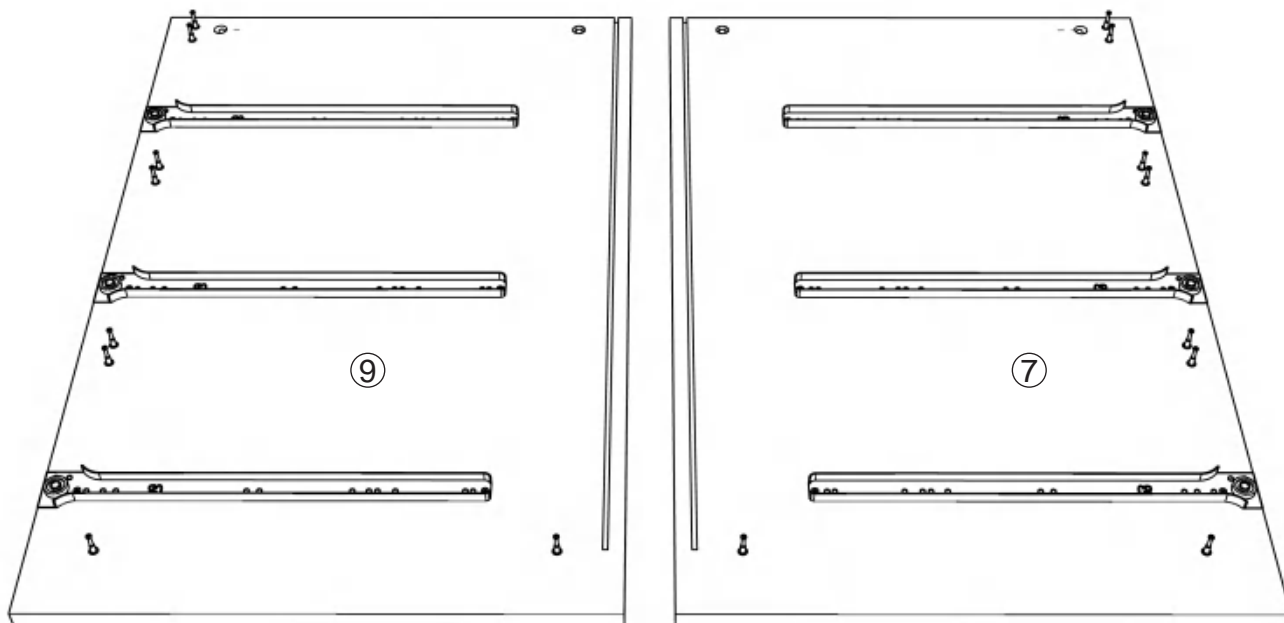
14.



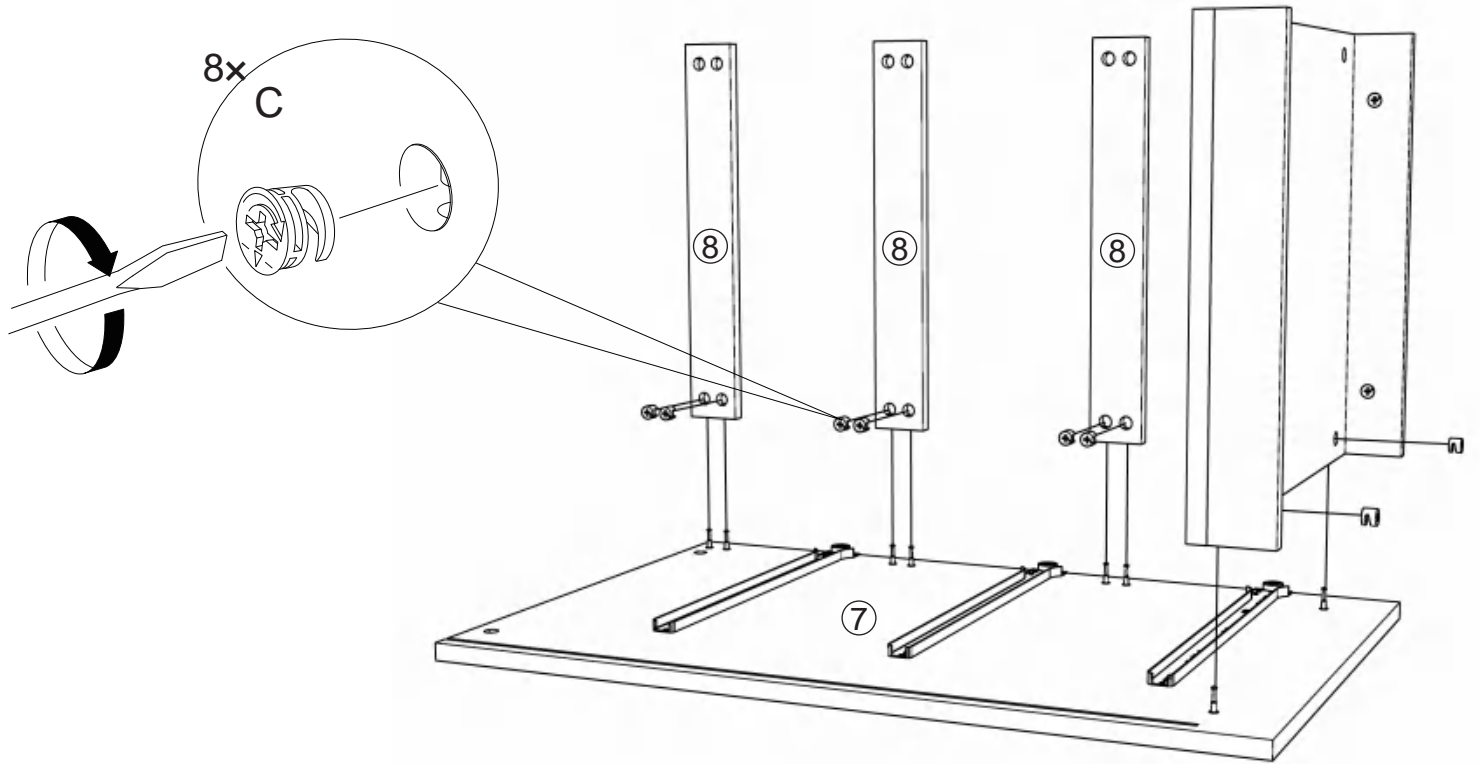
15.



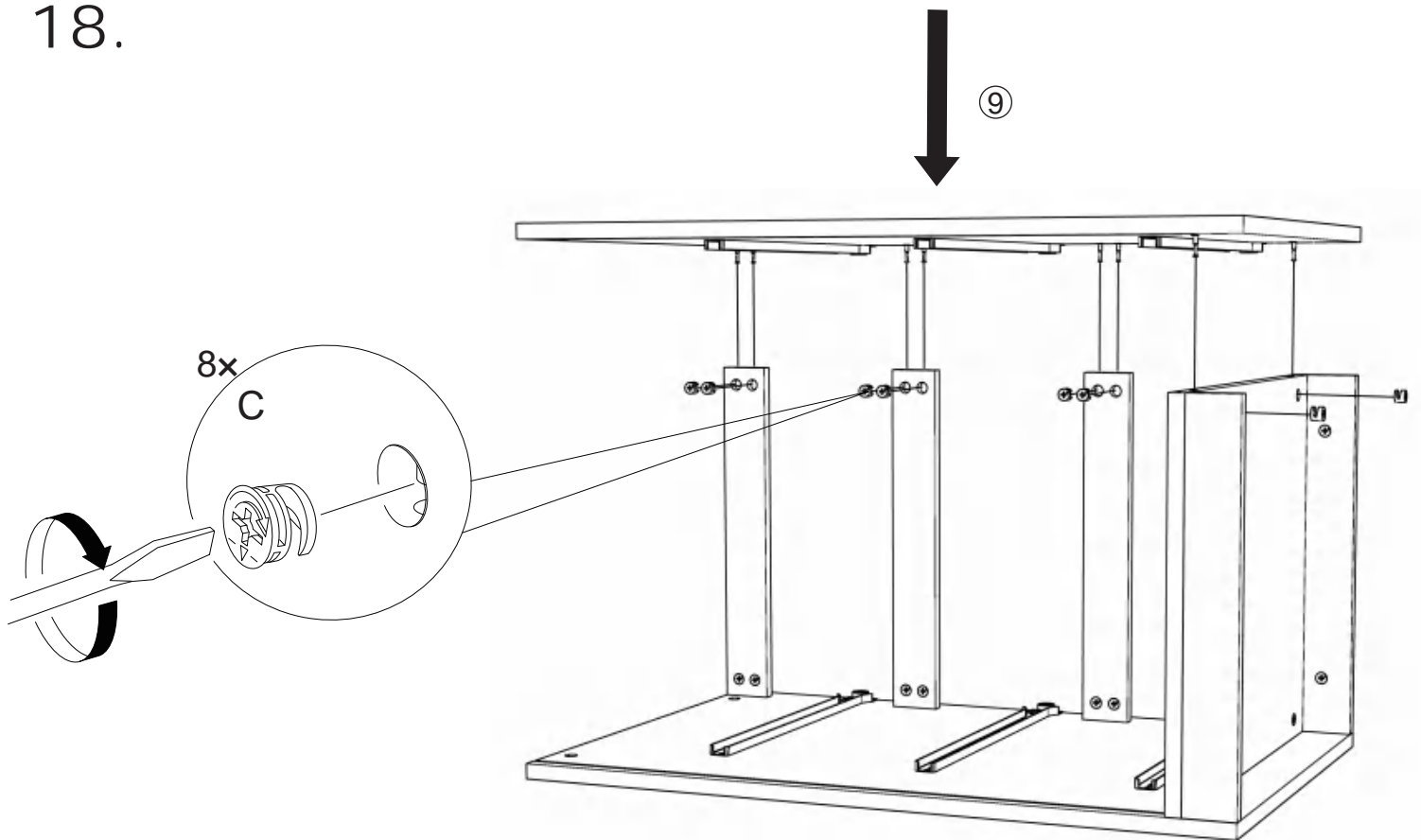
16.



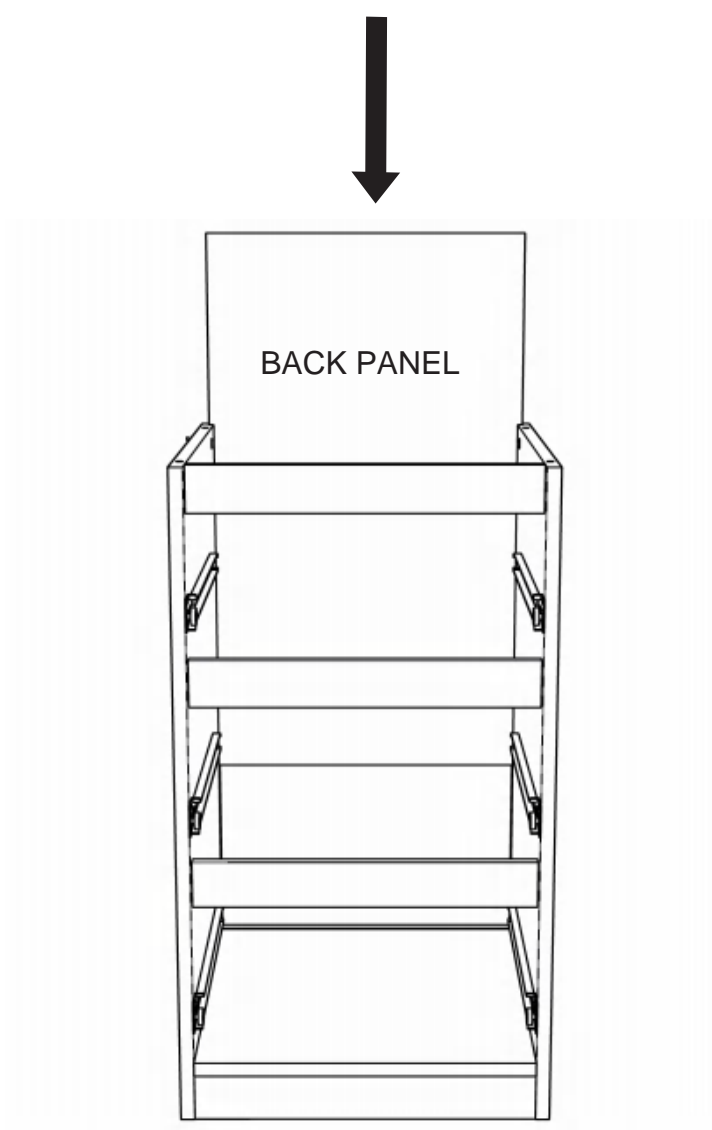
17.



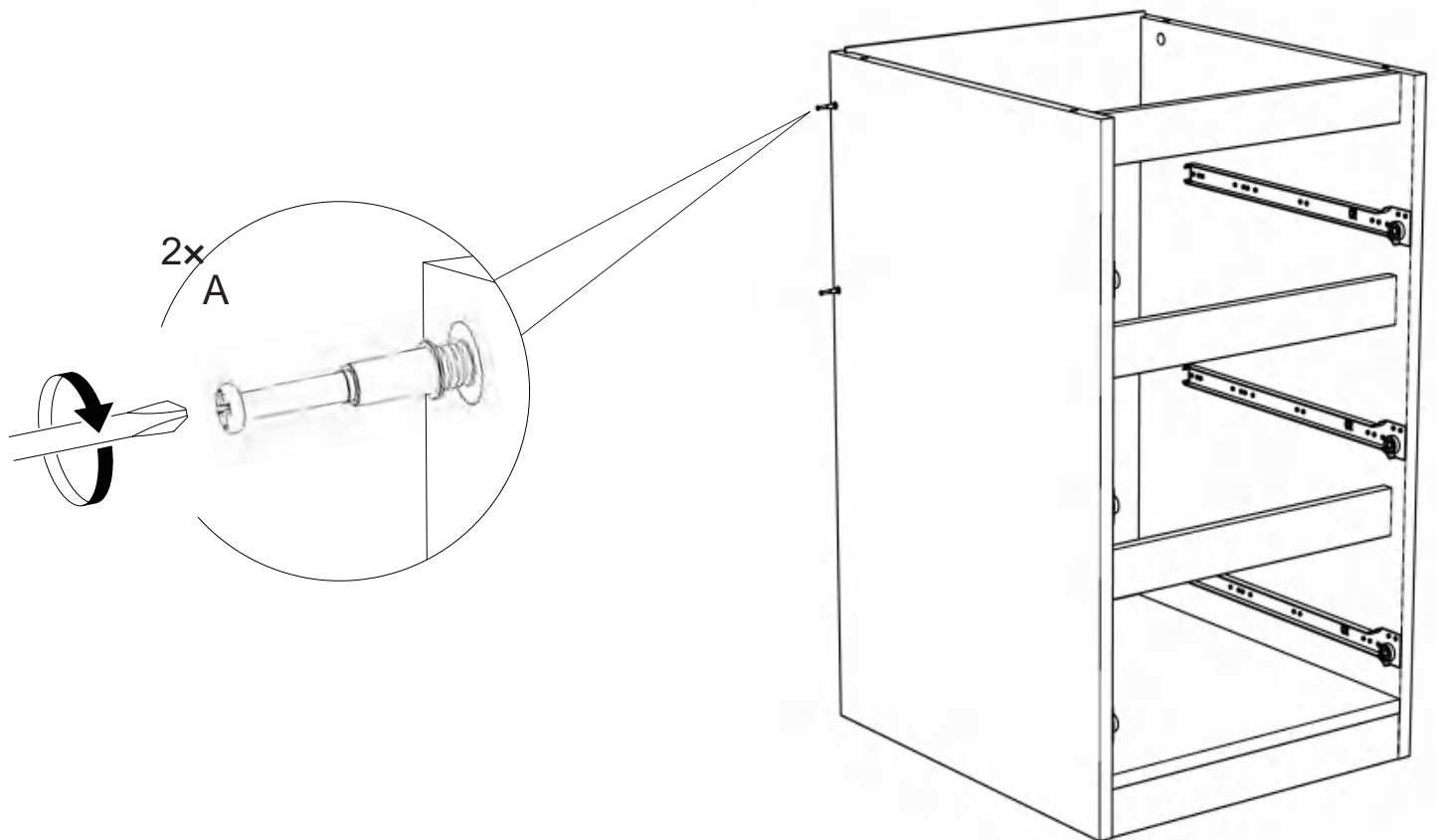
18.



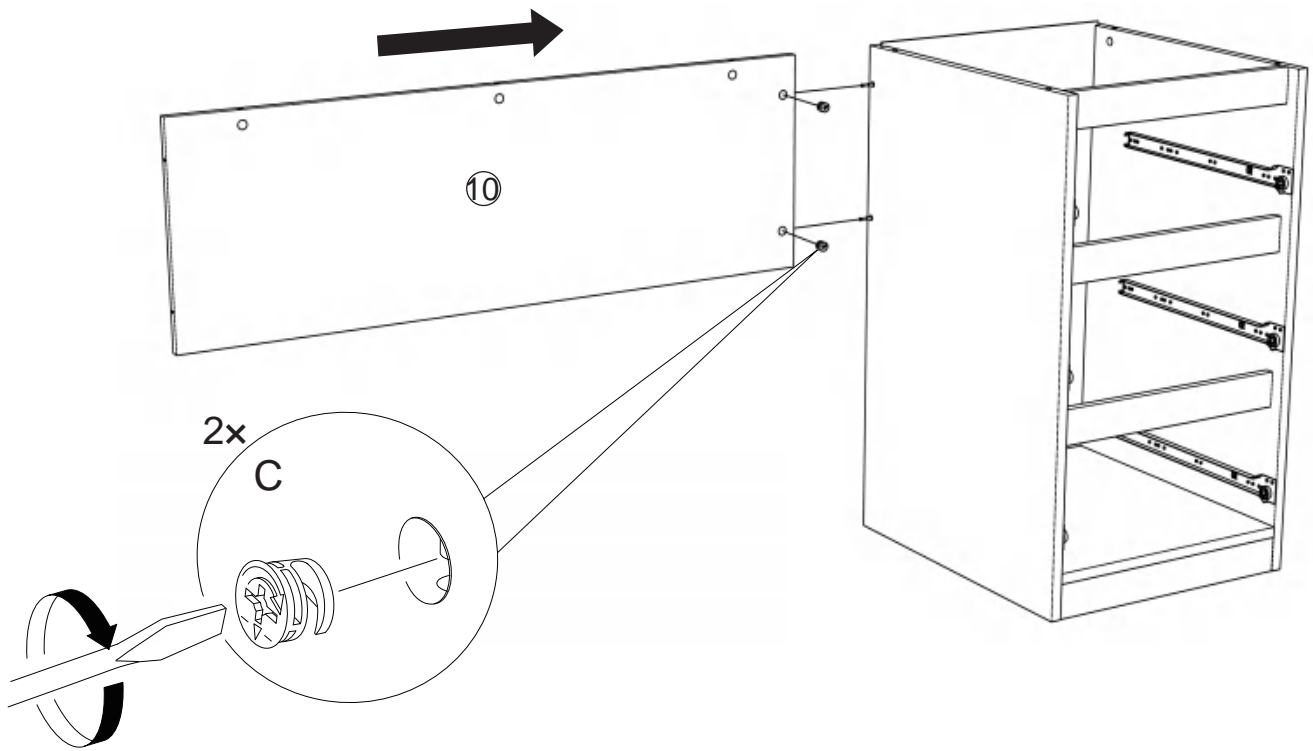
19.



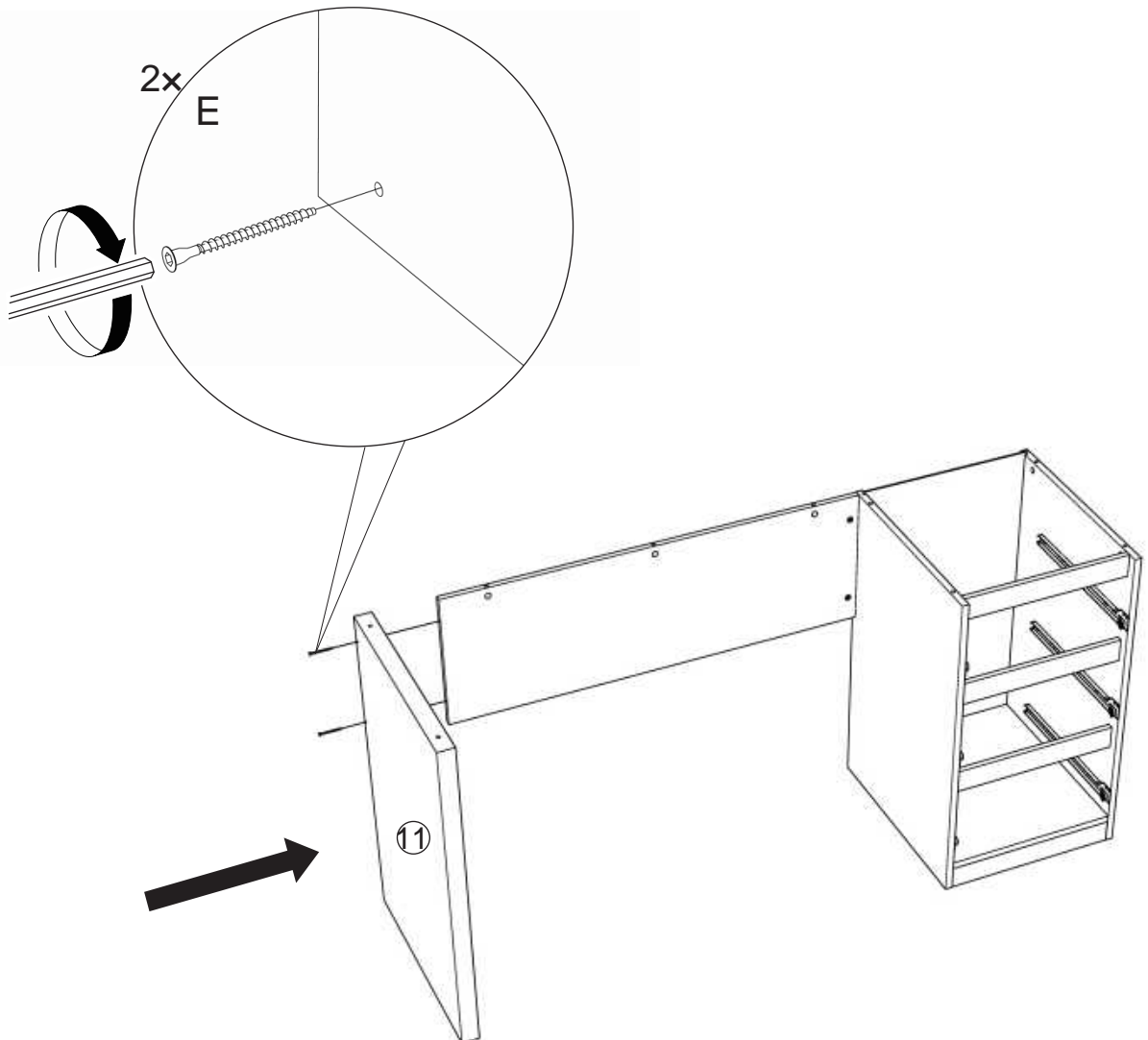
20.



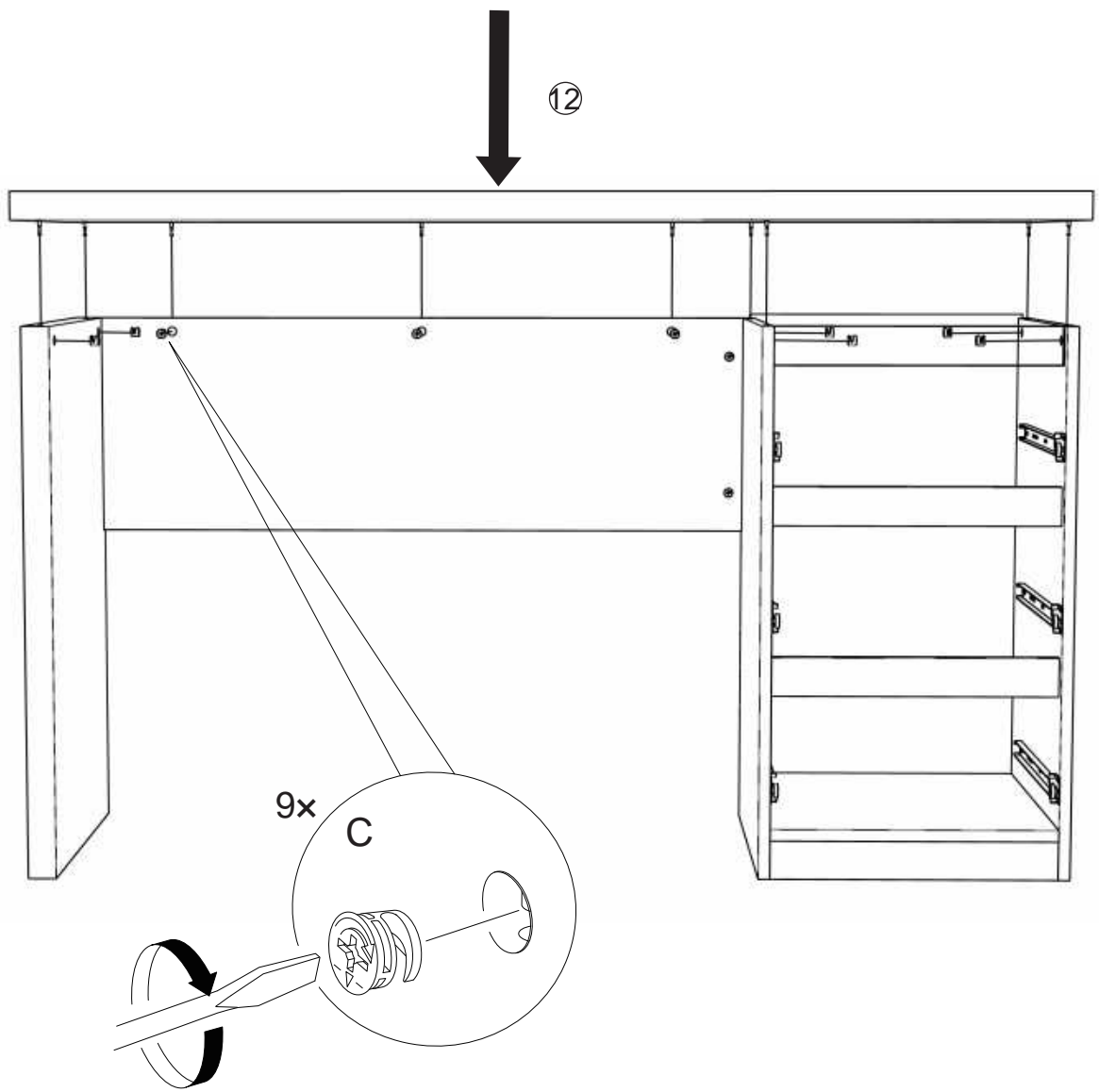
21.



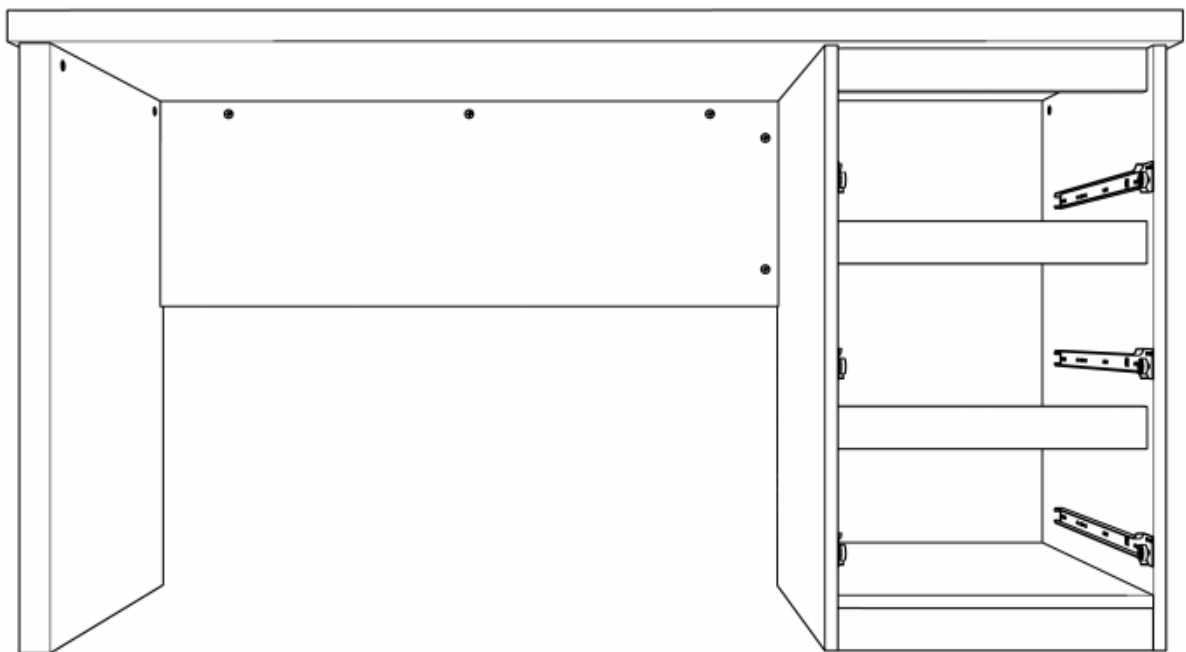
22.



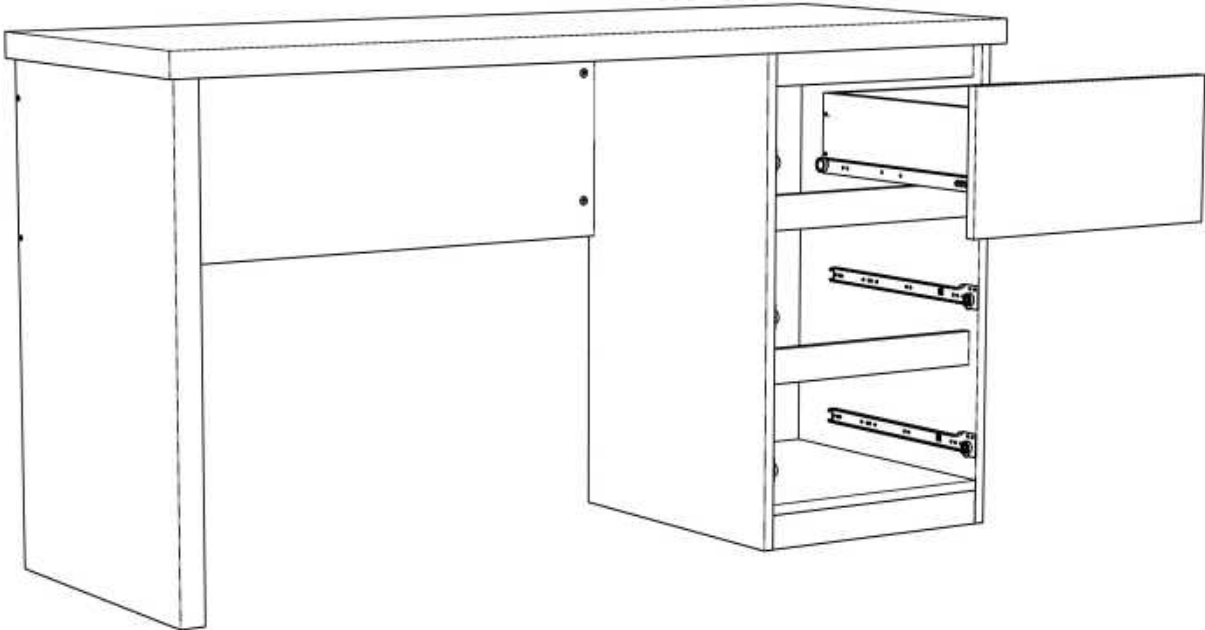
23.



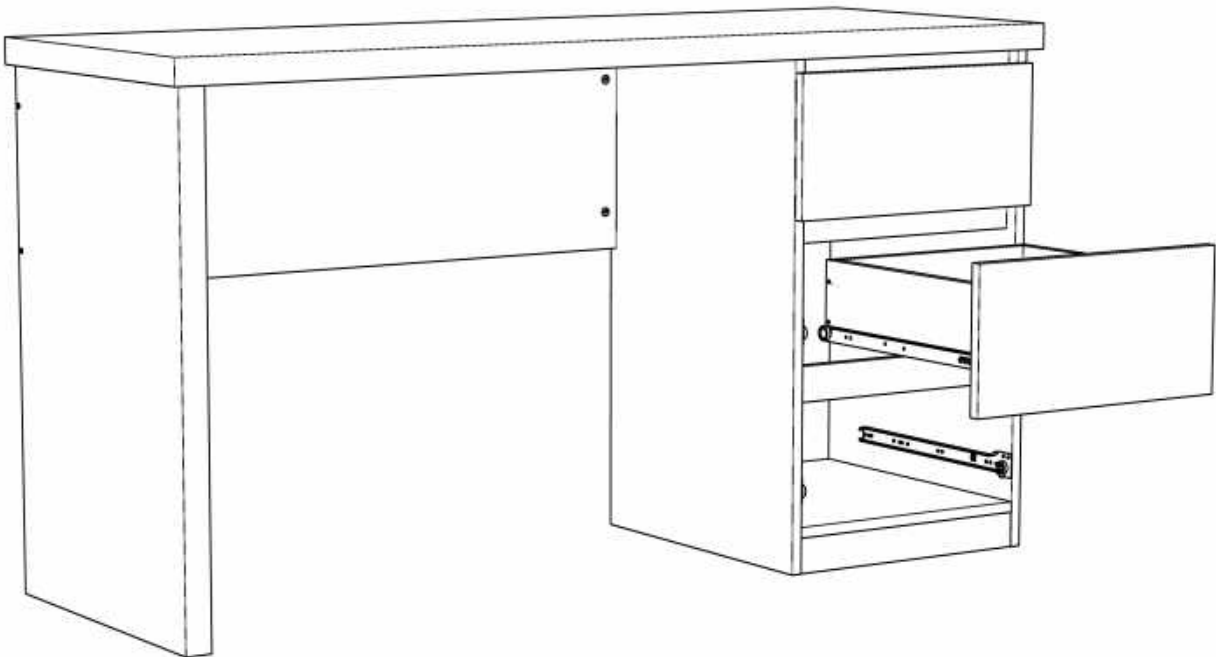
24.



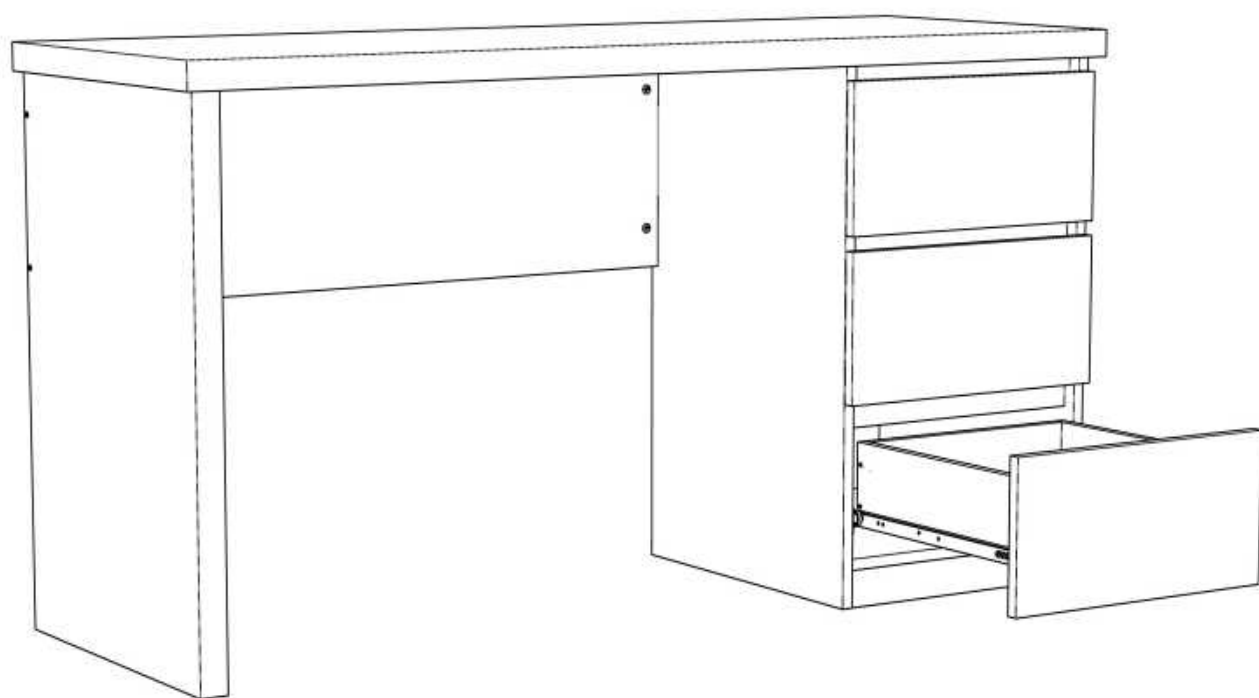
25.



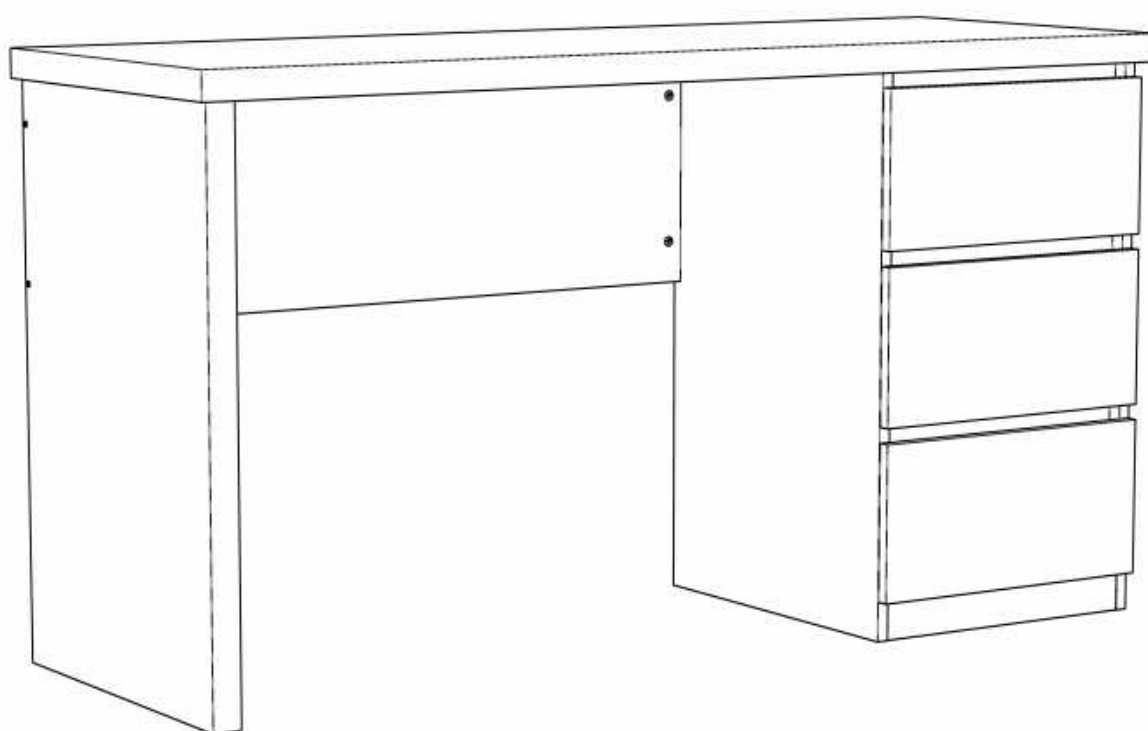
26.



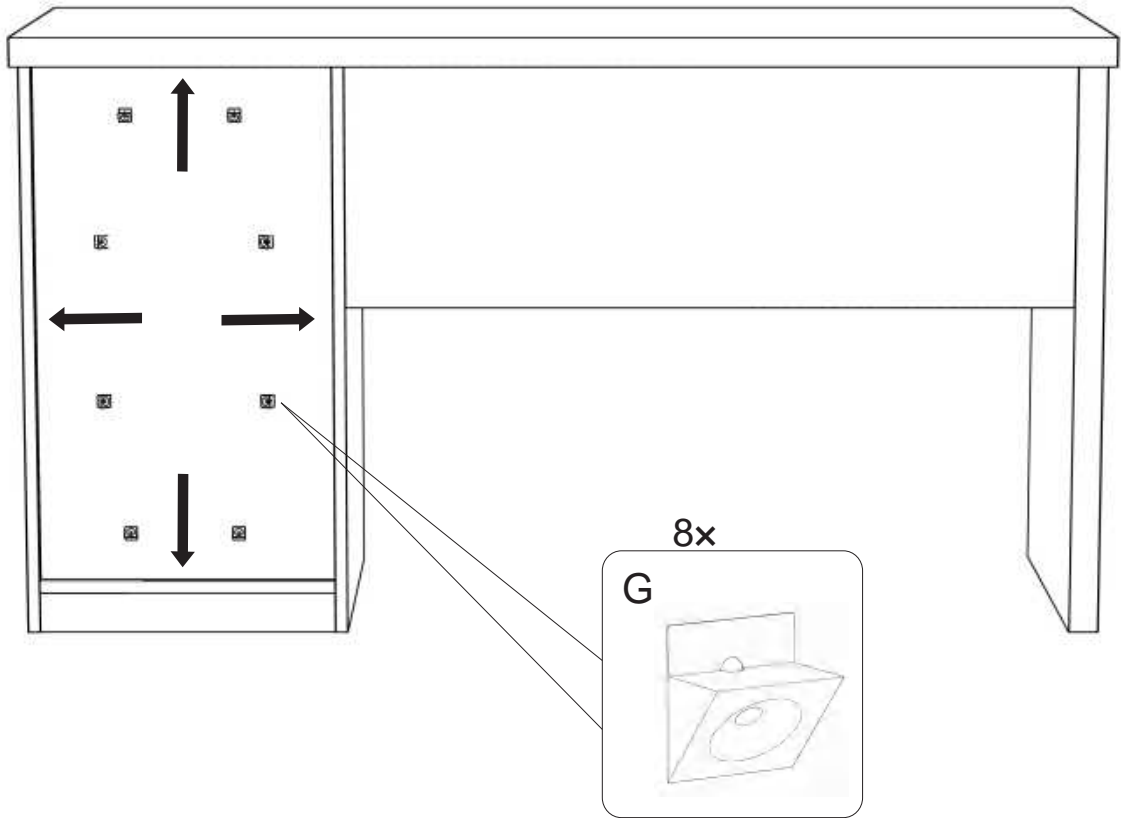
27.



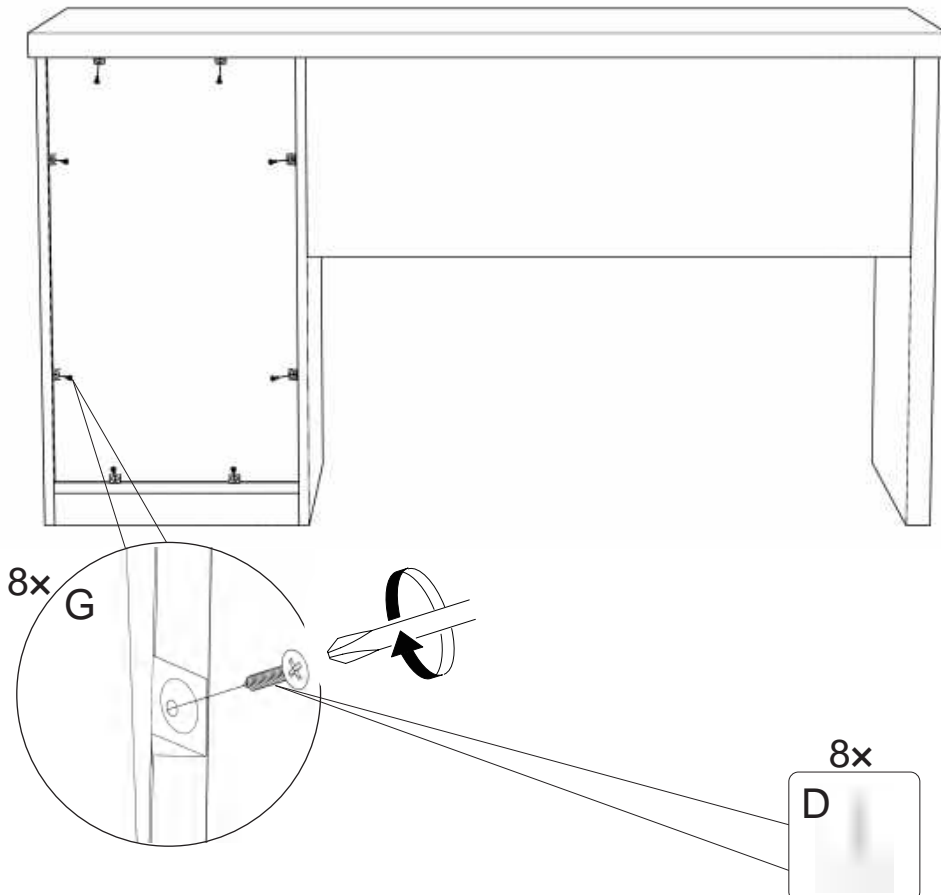
28.



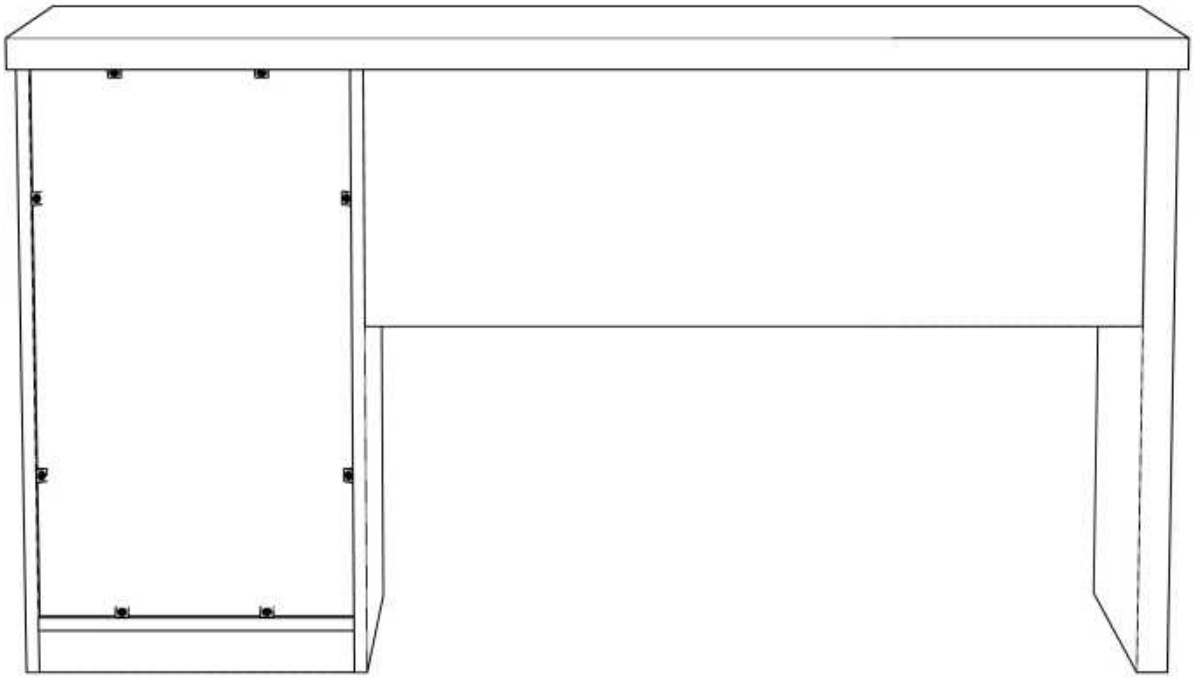
29.



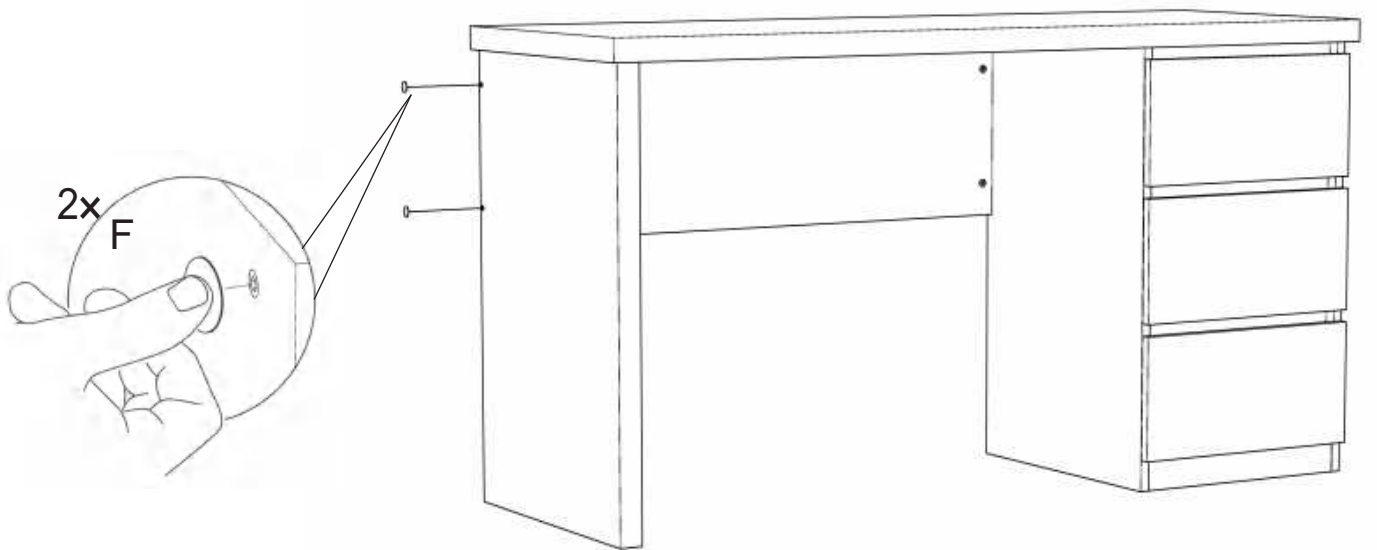
30.



31.



32.



33.

