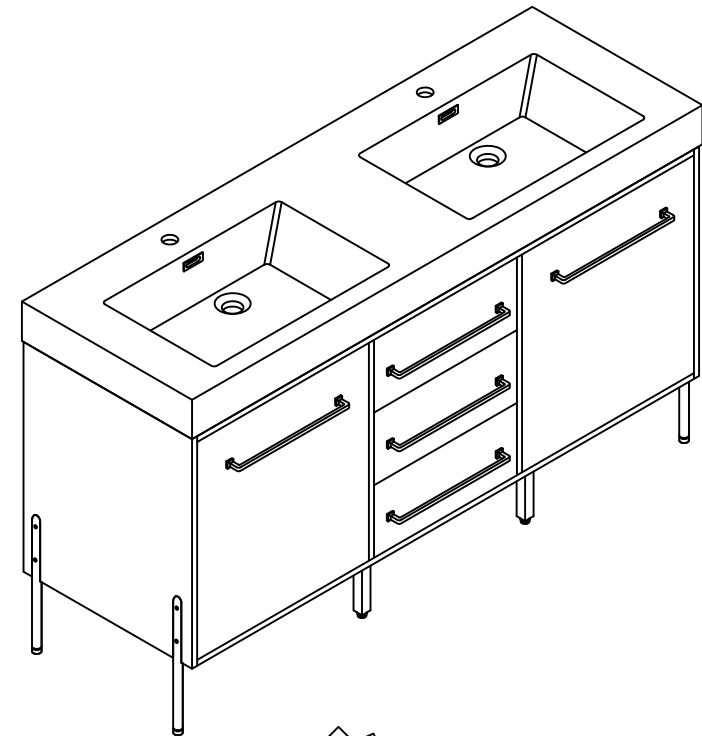


**Installation Manual-BV B11060D**

**MOTIVATE  
YOUR LIFE !**

## THANKS FOR WATCHING

Your feedback is invaluable to us and we would love to hear about your experience. Please take the time to leave us a review.

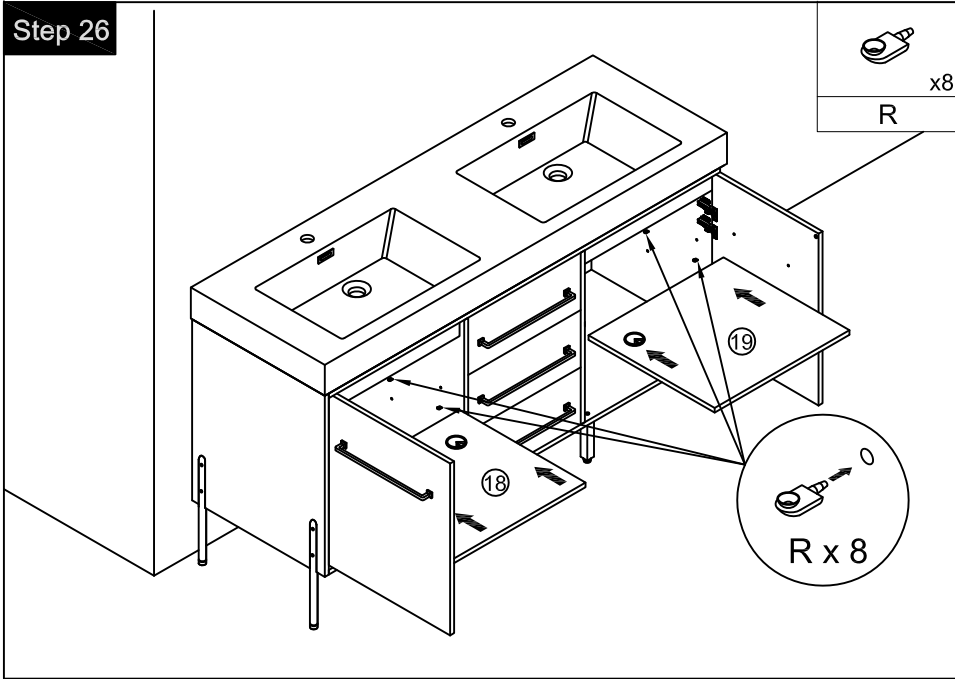


## Thank you for shopping with us!

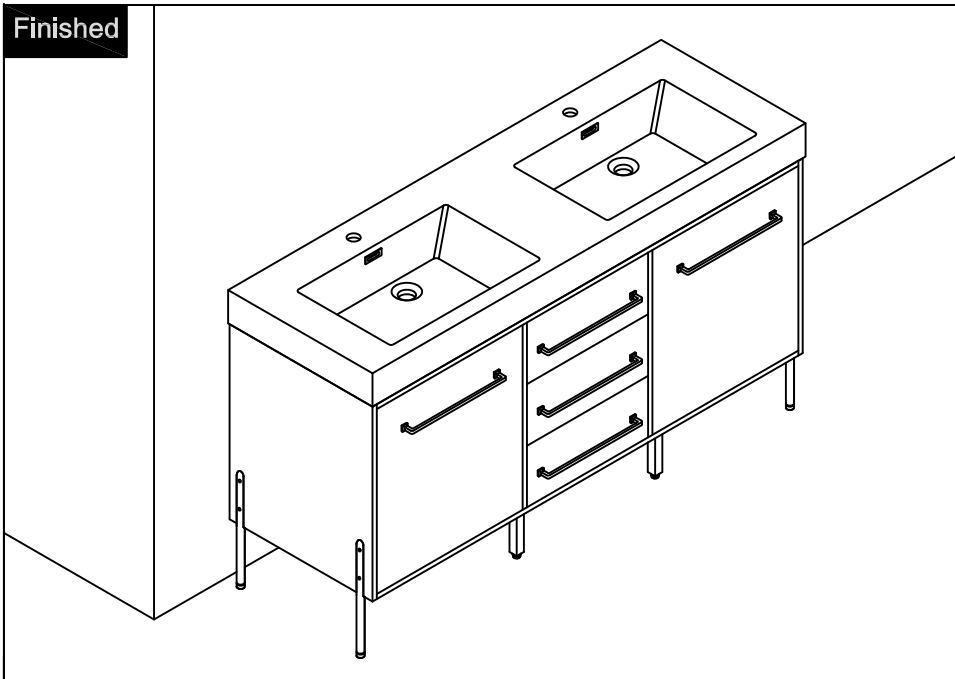
We encourage you to take a few minutes to go through this booklet. It contains important information on installation and care tips to keep your furniture looking as good as new.



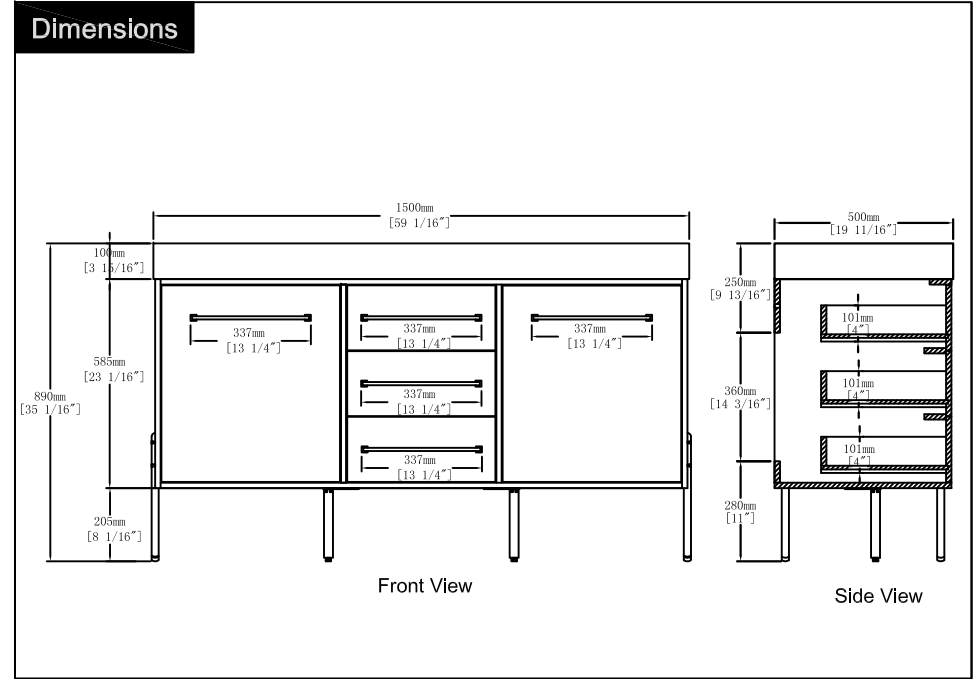
**Step 26**



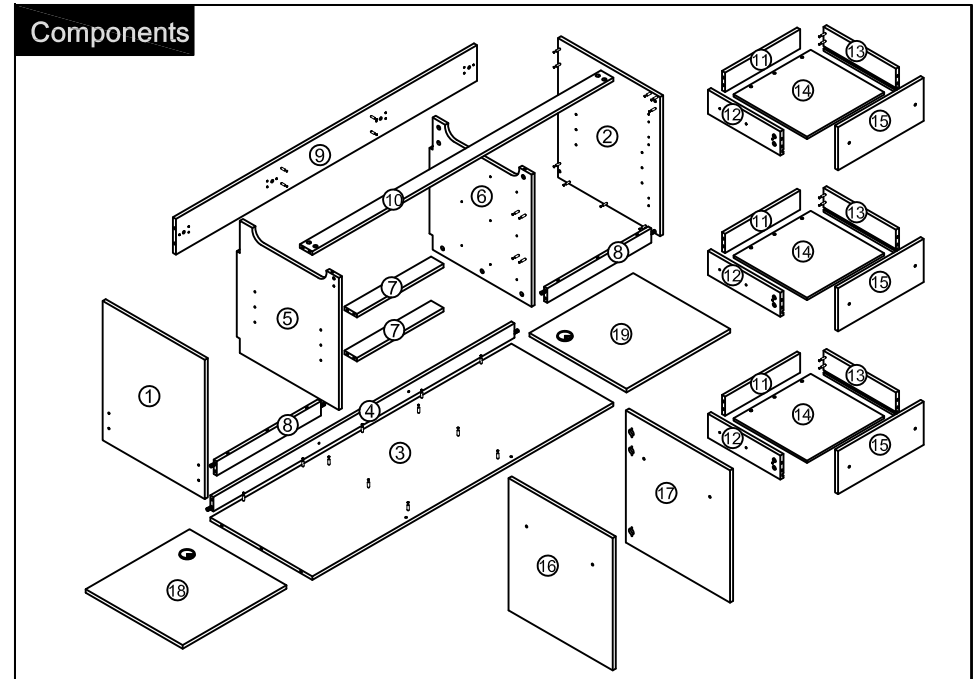
**Finished**



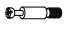


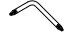
**Dimensions**

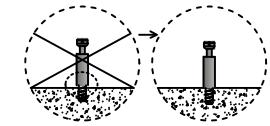
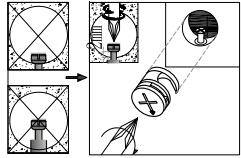
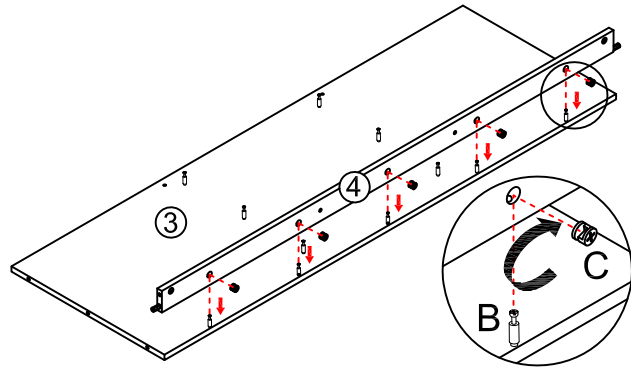


**Components**

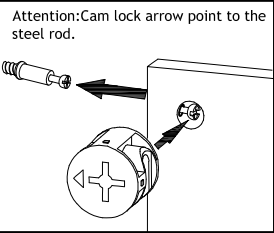


### Step 1

-  x5
-  x5
-  x5
- 

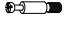

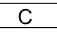
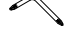


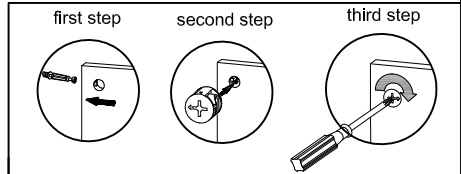
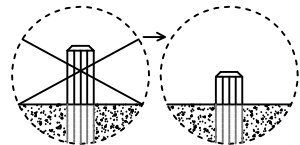
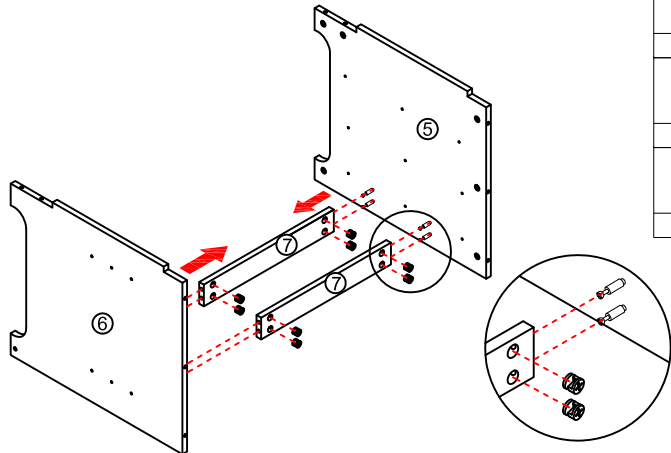
Notes: Screw installation depth as shown



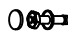


Attention: Cam lock arrow point to the steel rod.

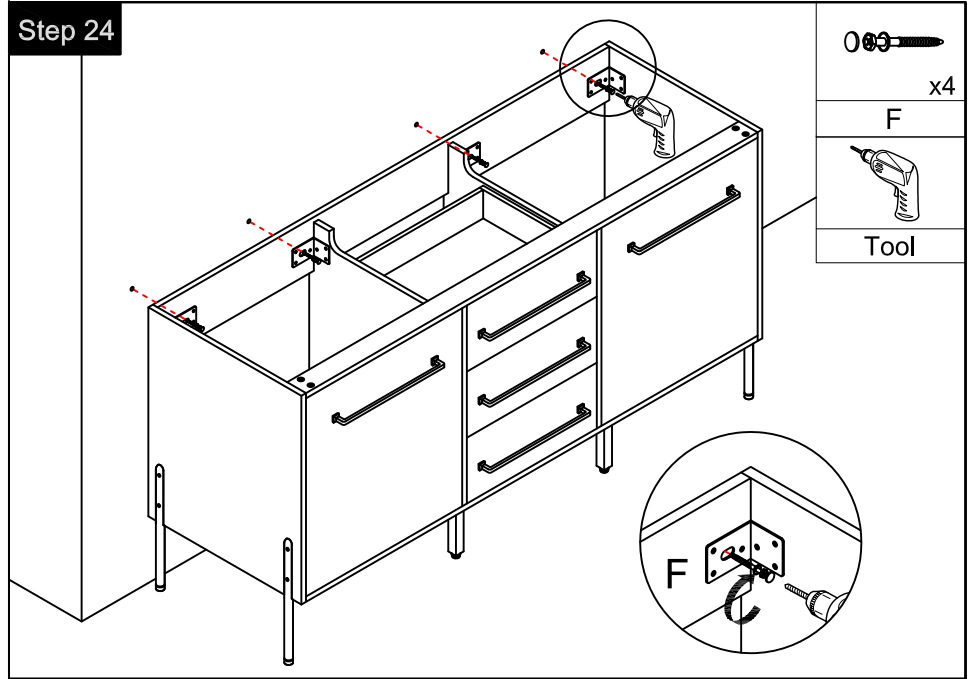
### Step 2

-  x8
-  x8
-  x8
- 

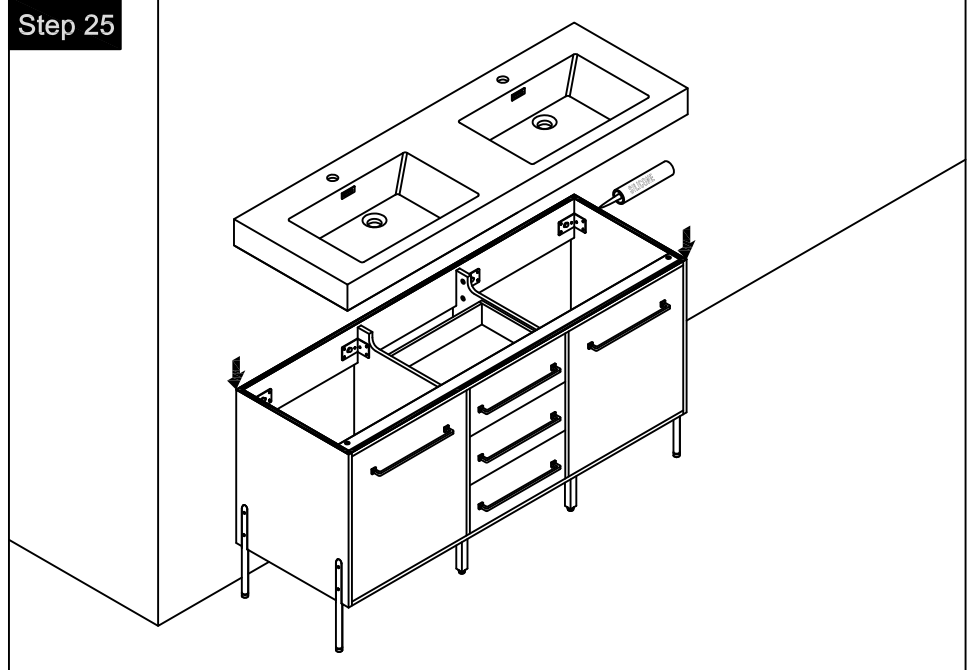


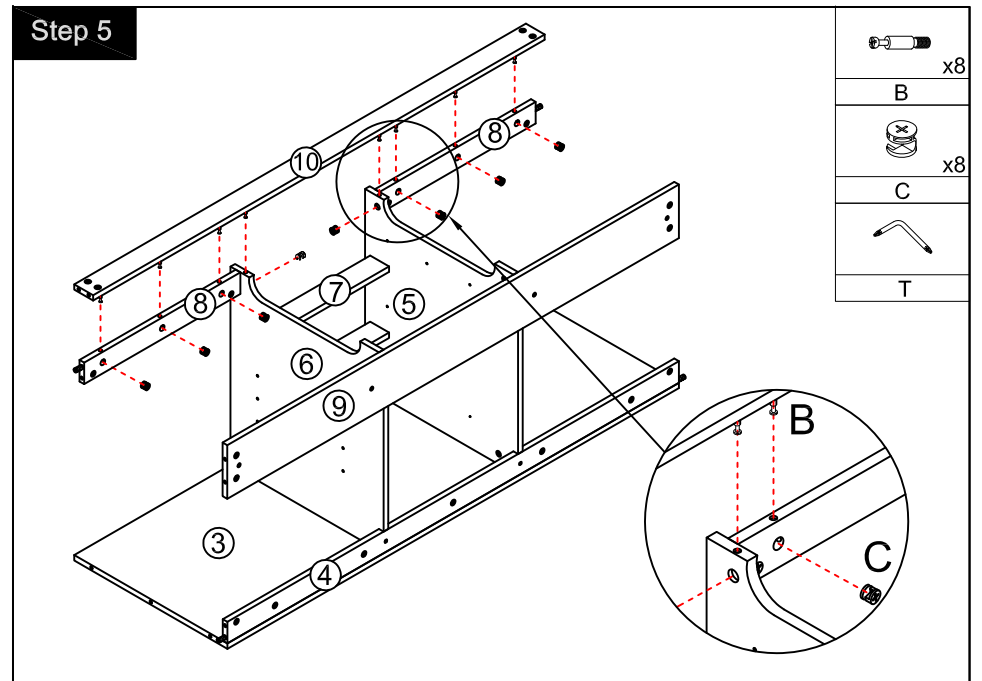
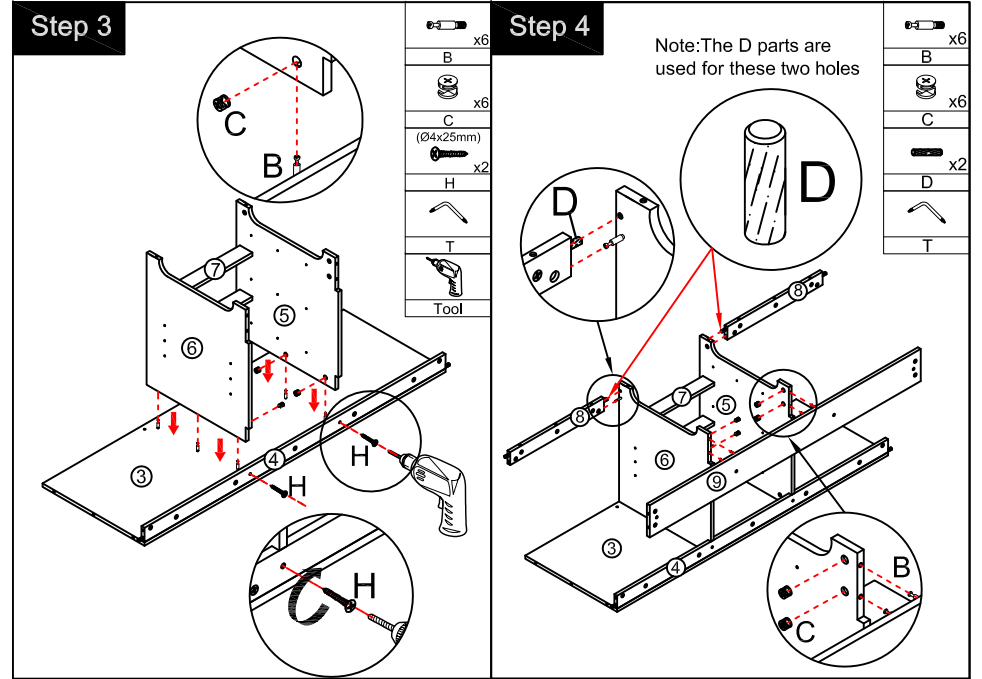
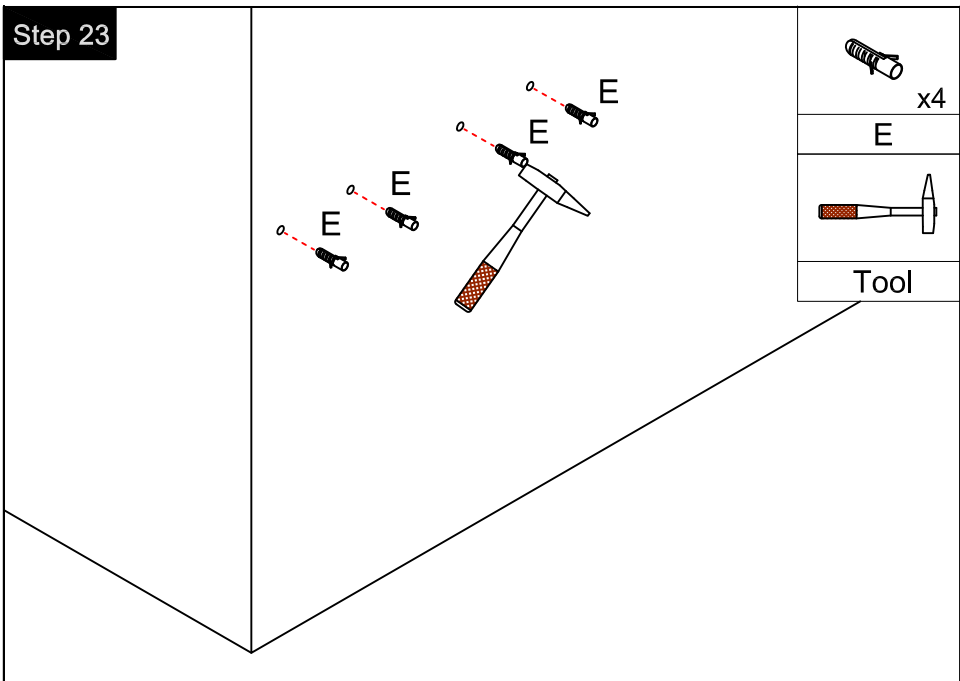
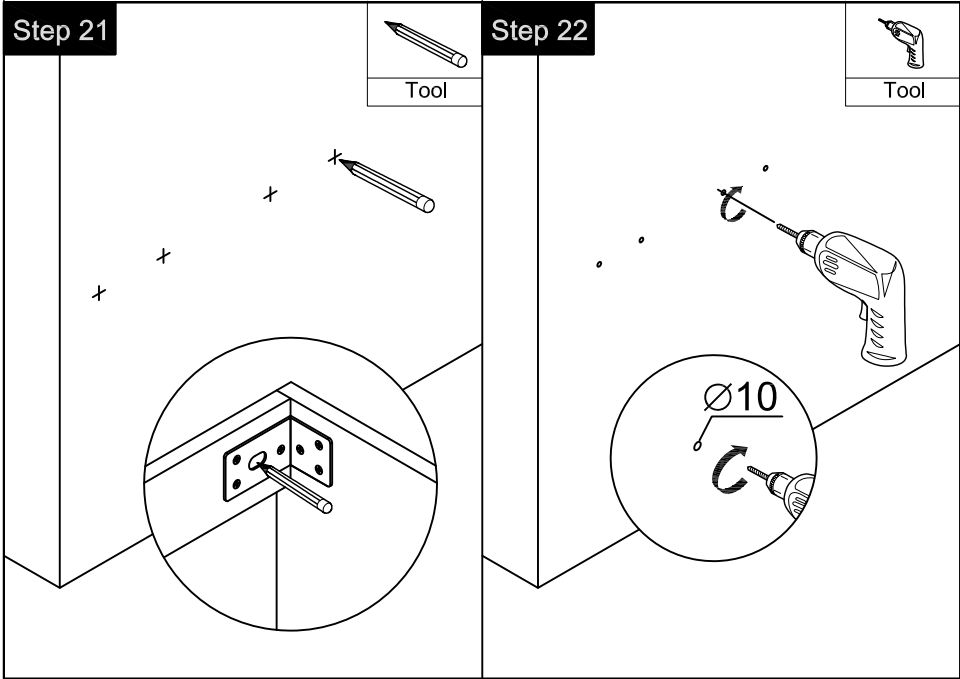
### Step 24

-  x4
- 
- 
- Tool



### Step 25





### Step 6

	x9
	B
<td>x9</td>	x9
	C
<td>x2</td>	x2
	D
	T

Note: The D parts are used for these two holes

### Step 7

	x9
	B
<td>x9</td>	x9
	C
<td>x2</td>	x2
	D
	T

Note: The D parts are used for these two holes

### Step 19

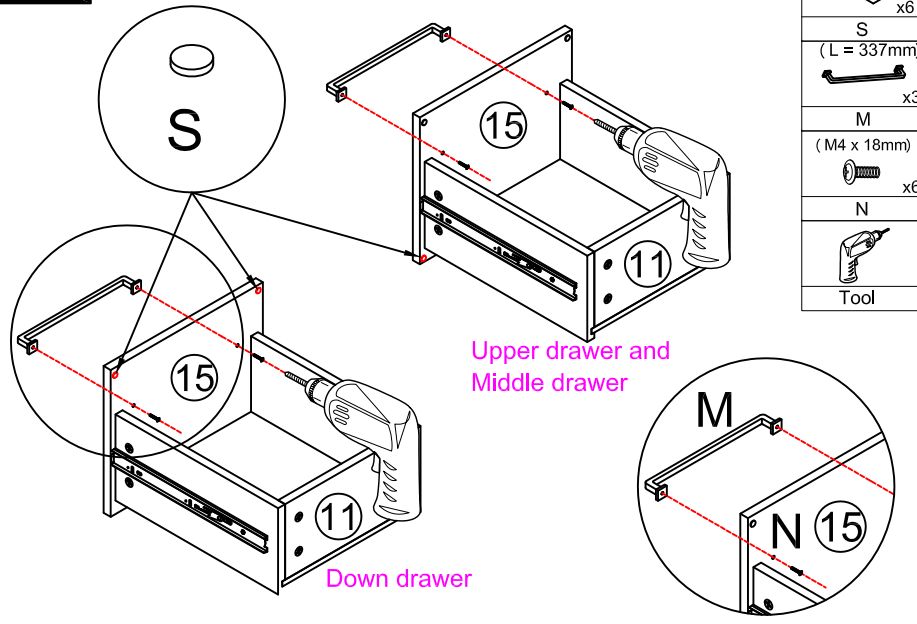
	x6
	O
<td>(<math>\varnothing 4 \times 14\text{mm}</math>)</td>	( $\varnothing 4 \times 14\text{mm}$ )
<td>x36</td>	x36
	A
<td>x2</td>	x2
	P

You can adjust the doors by tightening or loosening the screws on the hinge.

### Step 20

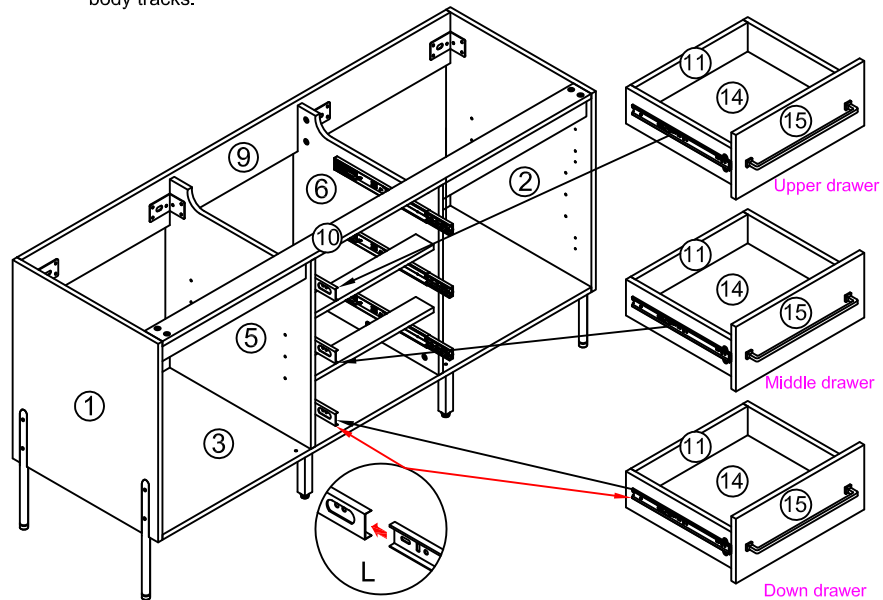
	(L = 337mm)
<td>x2</td>	x2
	M
<td>(M4 x 18mm)</td>	(M4 x 18mm)
<td>x4</td>	x4
	N
<td>x2</td>	x2
	Tool

### Step 17

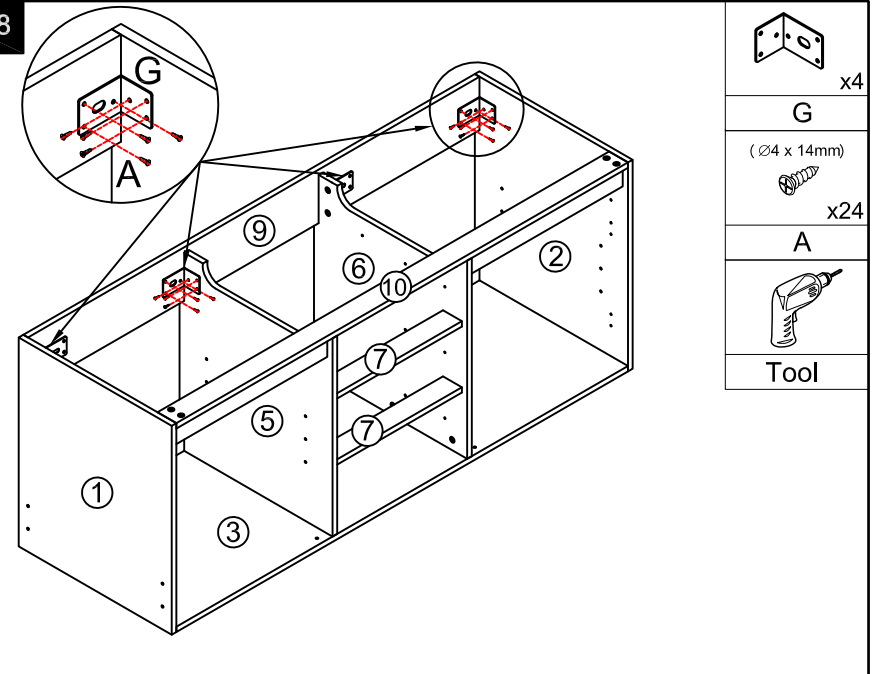


### Step 18

Notes: Pull out the tracks on the cabinet body and push them into the upper and lower drawers as shown in the diagram. The drawer tracks are interlocked with the cabinet body tracks.



### Step 8



### Step 9

