

ASSEMBLY INSTRUCTIONS

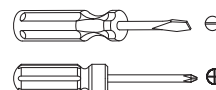
CORNER CABINET

ASSEMBLY
REQUIREMENTS

2-Person
Assembly

45 minutes
Assembly Time
(Approximate)

Assembly Tools
Required
(Not Provided)



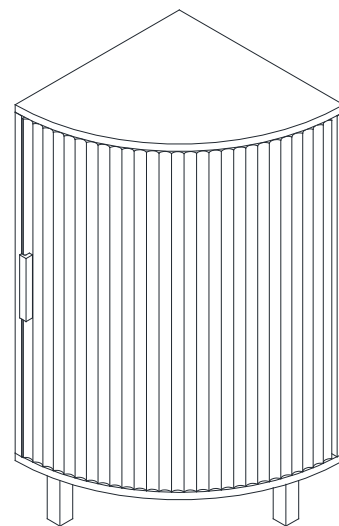
Thank you for purchasing our product!

Please refer and use this assembly instruction to assemble the product. Contact our customer service department in case there are any missing or damage parts or hardware. Replacement parts are normally shipped within 2 or 3 days.

PRODUCTS PURCHASED THROUGH OUR AUTHORIZED VENDORS ONLY ARE ELIGIBLE FOR REPLACEMENT PARTS.

We appreciate your business!

THIS PRODUCT IS FOR INDOOR AND HOUSEHOLD USE ONLY- NOT FOR COMMERCIAL USE.



ASSEMBLY PREPARATION

1. Remove all packaging materials, staples and packing straps from the carton.
2. Refer to Parts List and Hardware List, and ensure parts and hardware are correct before assembly. Contact customer service for missing parts.
3. Place all wooden parts on a clean, flat and soft surface (e.g. carpet or rug) to prevent scratch and damage to parts.

SAFETY PRECAUTION

1. KEEP ALL HARDWARE PARTS OUT OF REACH OF CHILDREN.
2. DISPOSE PLASTIC PACKAGING MATERIAL IMMEDIATELY TO AVOID ANY RISK OF SUFFOCATION TO CHILDREN AND ANIMALS.

TIPS FOR ASSEMBLY

1. Allow ample room for assembly and assemble the product near where the product will be placed.
2. Assemble the product on a surface that does not scratch or damage the exterior gloss and finish of the furniture
3. Identify all of the parts, hardware and quantities required for each step.
4. During assembly, do not over-tighten any fittings as this may cause damage.
5. DO NOT USE POWER TOOLS TO ASSEMBLE THIS PRODUCT.
6. Always place the product on a flat, level surface.
7. Do not sit or stand on the partially assembled product; only use the product for which it is intended.

CARE AND MAINTENANCE

- Wipe clean with a soft, dry cloth; avoid the use of harsh chemicals or household cleaners as they may damage the exterior finish of the furniture.
- Hardware may loosen over time. Periodically, check that all connections are tight; re-tighten as necessary.
- Solid wood is impacted by heat and humidity fluctuations which may cause small joint separations or hairline cracks; place the furniture away from direct sunlight and air conditioning vents, heating vents or units to protect the furniture.

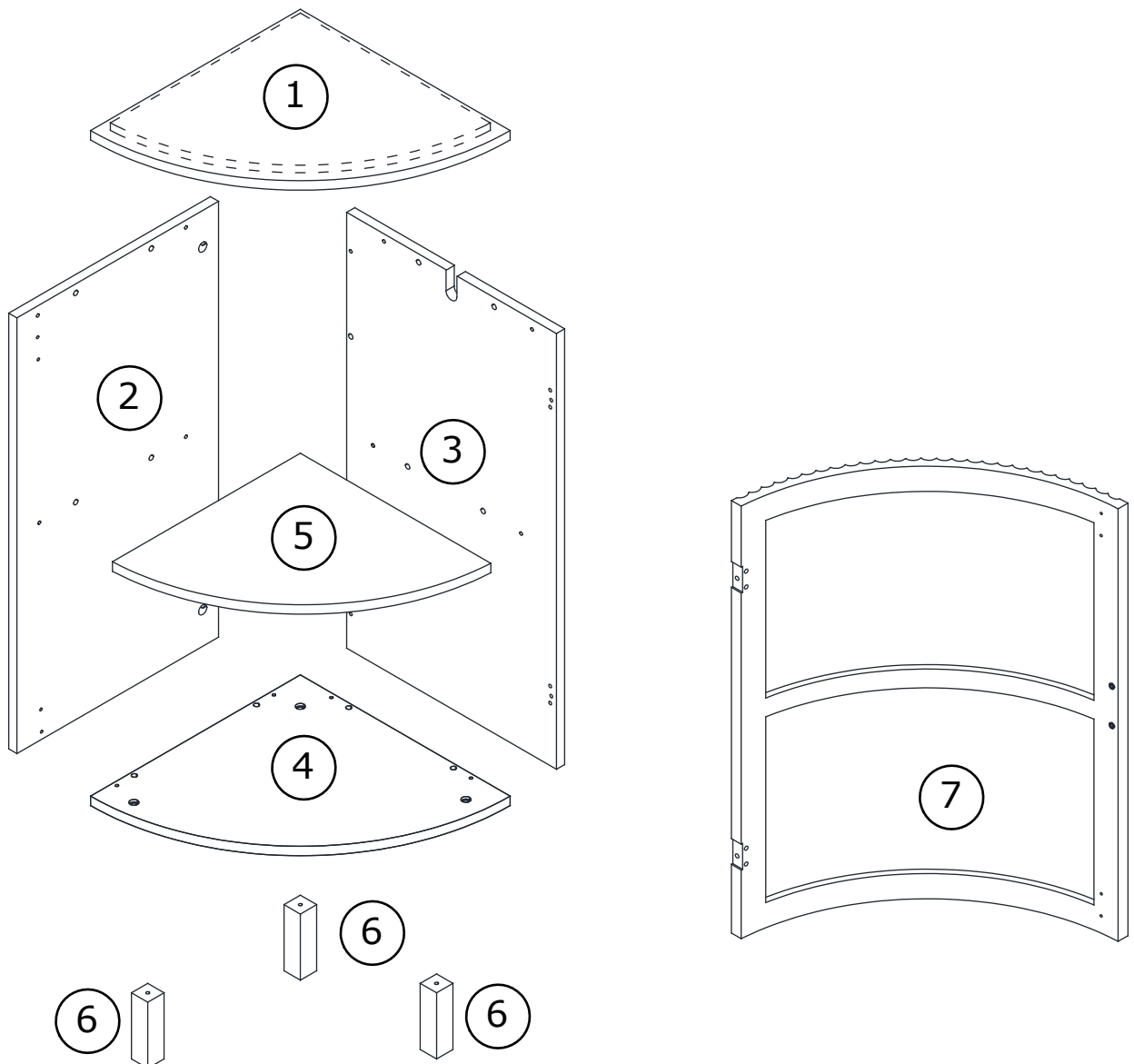
ASSEMBLY INSTRUCTIONS

CORNER CABINET

Parts List

Part #	Part Name	Quantity	Part #	Part Name	Quantity
(1)	Top Panel	1	(5)	Middle Panel	1
(2)	Left Panel	1	(6)	Wooden Legs	3
(3)	Right Panel	1	(7)	Door Panel	1
(4)	Bottom Panel	1			

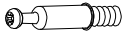
Parts Assembly Overview



ASSEMBLY INSTRUCTIONS

CORNER CABINET

Hardware List



Ax10 PCS
Cam-bolt
ø6x35mm



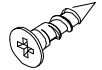
Bx10 PCS
Cam-lock
ø15x10mm



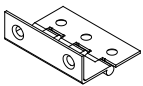
Cx14 PCS
Wood Dowel
ø8x30mm



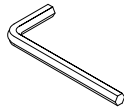
Dx4 PCS
Allen Bolt
ø6x38mm



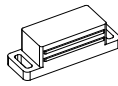
Ex16 PCS
Short Screw
ø3x12mm



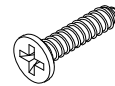
Fx2 PCS
Hinge



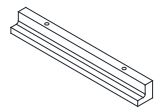
Gx1 PC
Allen Key
M4



Hx2 PCS
Magnetic Catch



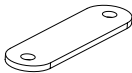
Ix4 PCS
Long Screw
ø3x14mm



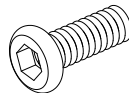
Jx1 PC
Handle



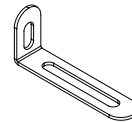
Kx2 PCS
Handle Bolt
ø4x18mm



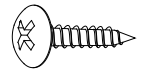
Lx2 PCS
Metal Clasp



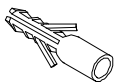
Mx3 PCS
Leg Bolt
M8x20mm



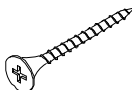
Nx1 PC
Metal Bracket



Ox2 PCS
Screw
ø4x12mm



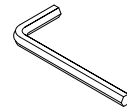
Px1 PC
Wall Anchor



Qx1 PC
Screw
ø4x35mm



Rx5 PCS
Paper Cover
ø20mm



Sx1 PC
Allen key
M5

INSTRUCTIONS FOR CAM-BOLT & CAM-LOCK

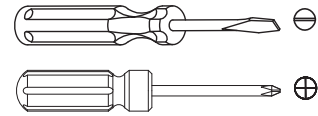


CAM-BOLT

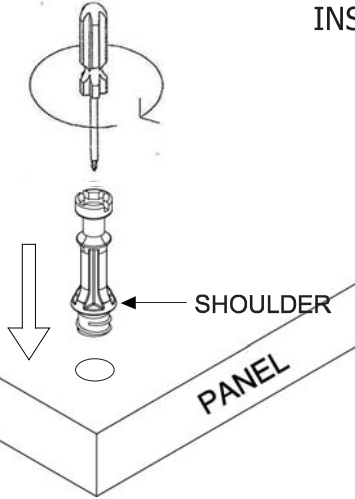


CAM-LOCK

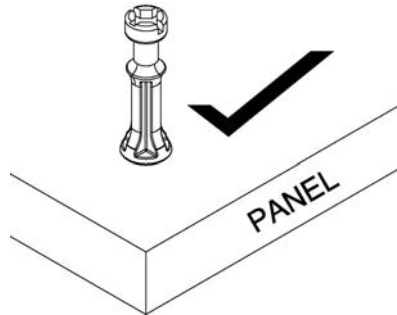
Tools Required



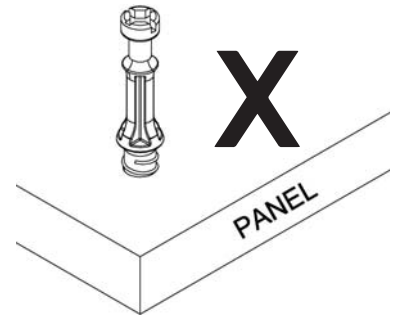
INSERTING AND TIGHTENING CAM-BOLT



Place Cam-bolt on pre-drilled hole and screw in vertically



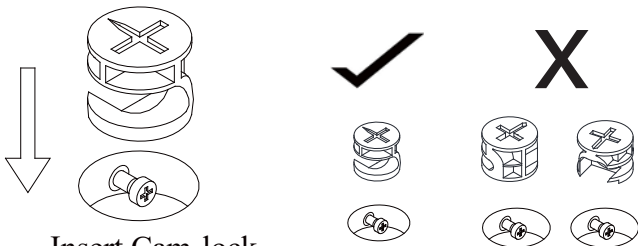
Shoulder is flushed (on the same level) with the panel.



Shoulder is above the panel.

Place Cam-bolt on the designated pre-drilled hole on the panel. Use a Phillips Screwdriver to screw-in Cam-bolt vertically until shoulder is flushed (on the same level) with panel.

INSERTING CAM-LOCK



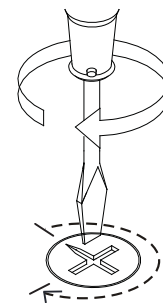
Insert Cam-lock with arrow align to Cam-bolt head

CORRECT

WRONG

Align the arrow on the Cam-lock to the Cam-bolt head and insert the Cam-lock. Ensure Cam-lock is fully inserted.

TIGHTENING CAM-LOCK

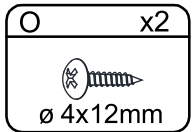
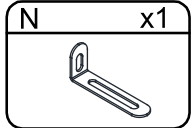
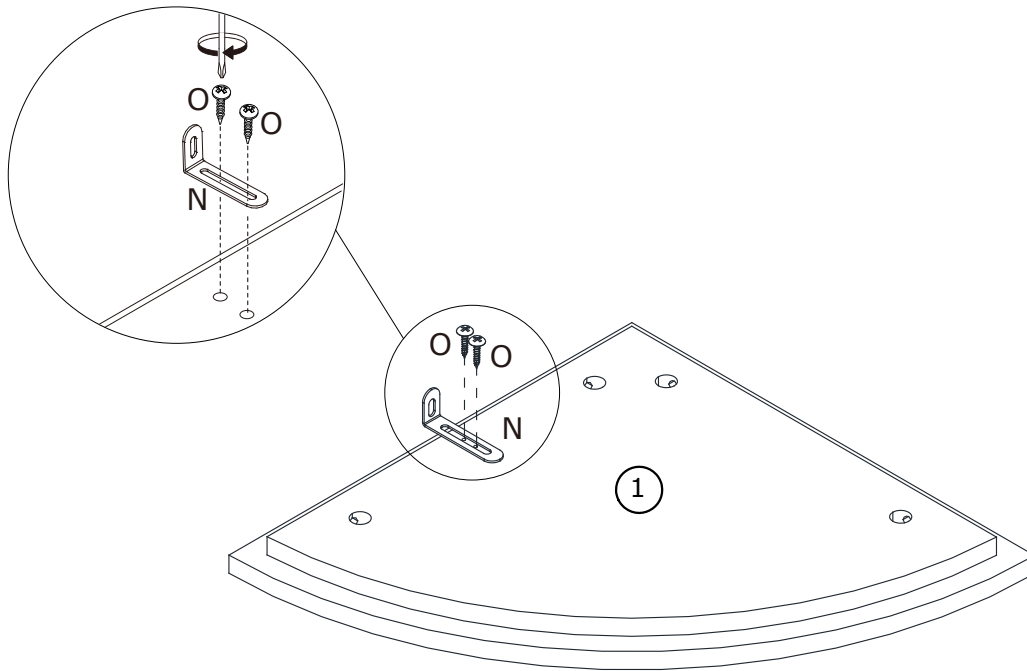


Use a Flat-head Screwdriver to turn Cam-lock clockwise so it locks onto the head of the Cam-bolt. Turn until it is snug (about 3/4ths of a turn) -- over-tightening could damage Cam-lock or/and Cam-bolt.

ASSEMBLY INSTRUCTIONS

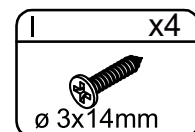
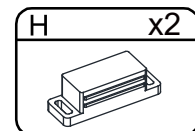
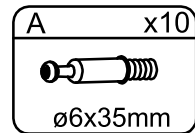
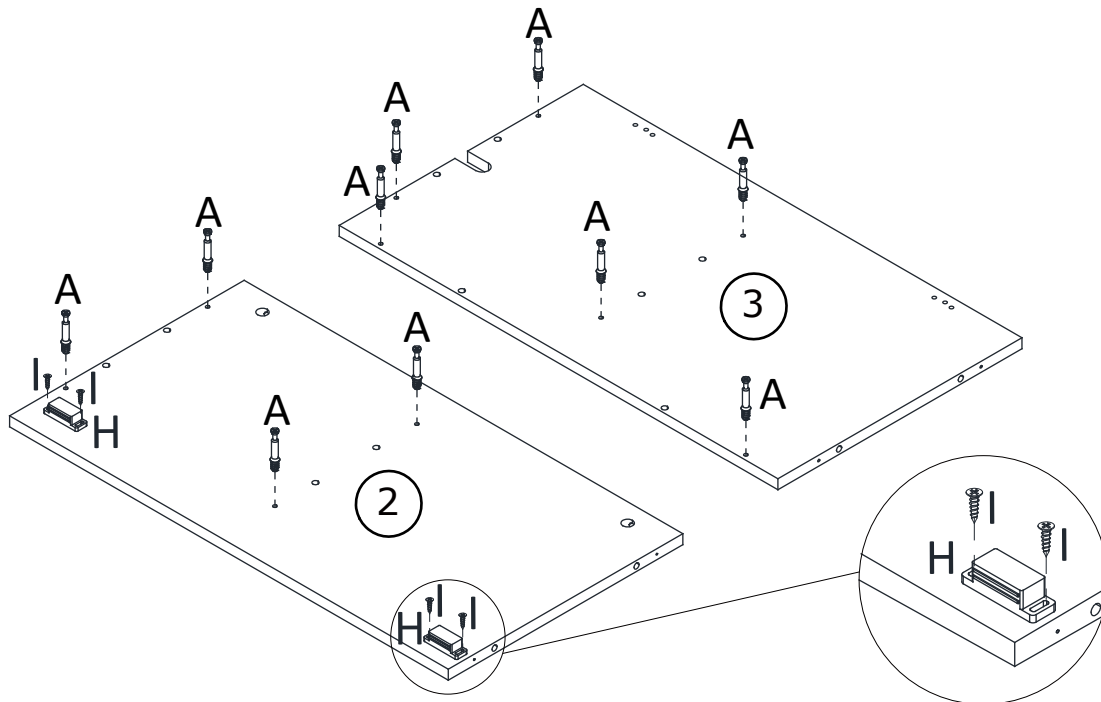
CORNER CABINET

STEP 1



- a) Lay Top Panel (1) as shown on a material that does not scratch or damage the part.
- b) Use Screw (O) to fasten Metal Bracket (N) to (1). Ensure (N) can slide easily.

STEP 2

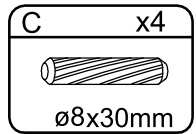
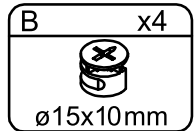
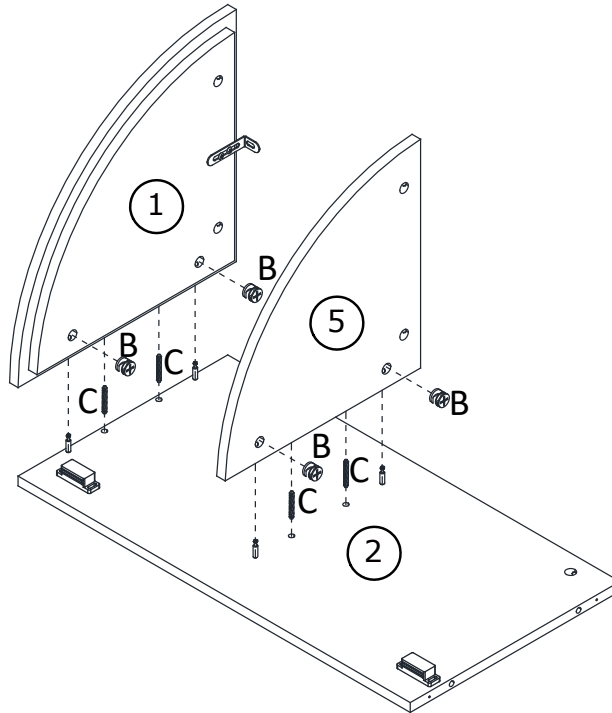


- a) Lay Left Panel (2) and Right Panel (3) as shown on a material that does not scratch the surface of each part.
- b) Screw in Cam-bolt (A) into the designated holes on each part. Refer to Page 4 for instructions on inserting and tightening Cam-bolt.
- c) Use Screw (I) to fasten Magnetic Catch (H) to (2). Note the orientation of (H).

ASSEMBLY INSTRUCTIONS

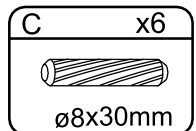
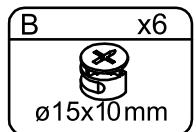
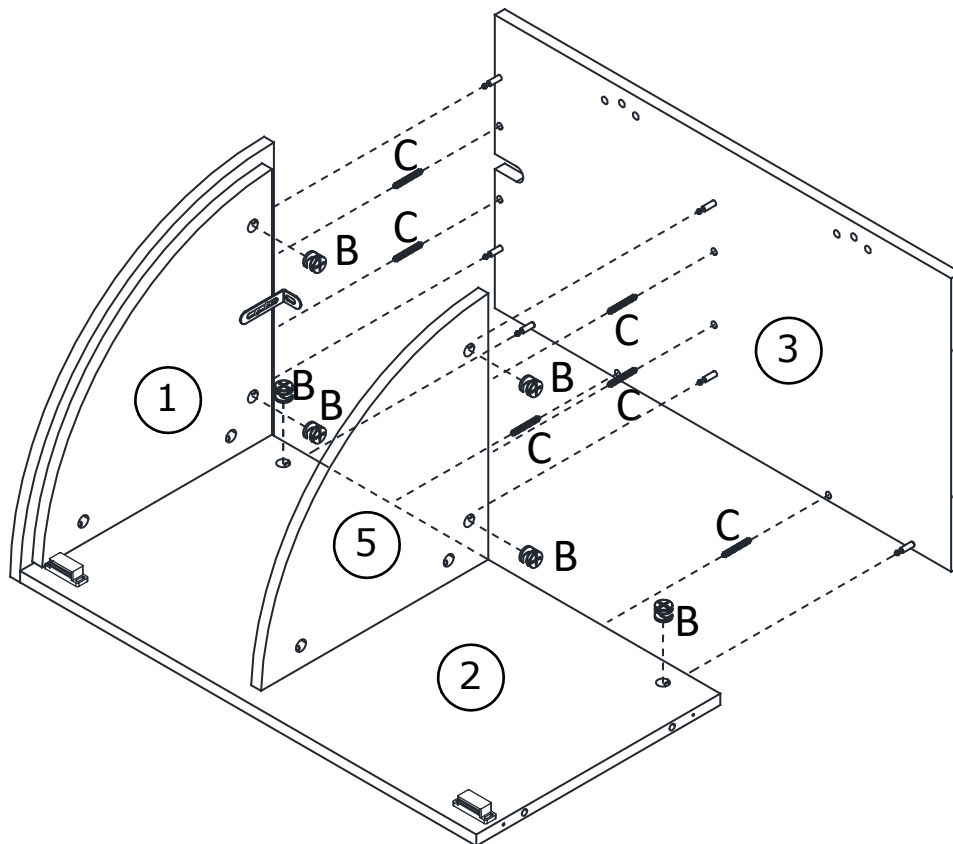
DORION CORNER CABINET ITEM# 72305

STEP 3



- a) Insert the Wood Dowel (C) to the designated holes between the cam-bolts on Left Panel (2).
- b) Attach Top Panel (1) and Middle Panel (5) to (2) via Wood Dowel and Cam-bolt.
- c) Insert Cam-lock (B) into the designated holes on (1 & 5) and turn clockwise to lock onto Cam-bolt.
Refer to page 4 for instruction on inserting and tightening Cam-lock.

STEP 4

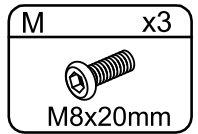
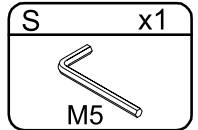
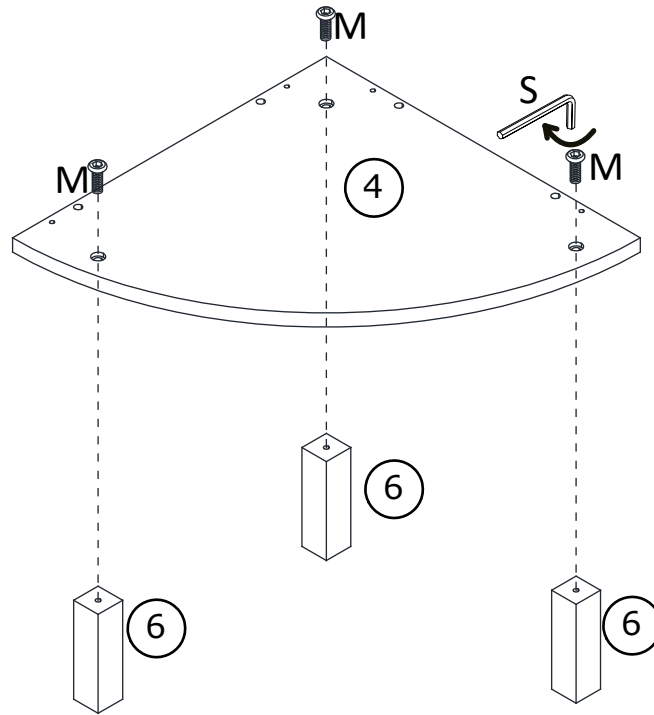


- a) Insert the Wood Dowel (C) into the designated holes on Right Panel (3) from STEP 3.
- b) Attach (3) to Top Panel (1) and Middle Panel (5) to Left Panel (2) via Wood Dowel and Cam-bolt.
- c) Insert Cam-lock (B) into the designate holes on the right edge of (1 & 2 & 5) and turn clockwise to lock onto Cam-bolt.

ASSEMBLY INSTRUCTIONS

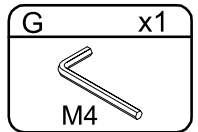
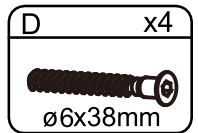
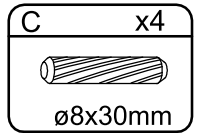
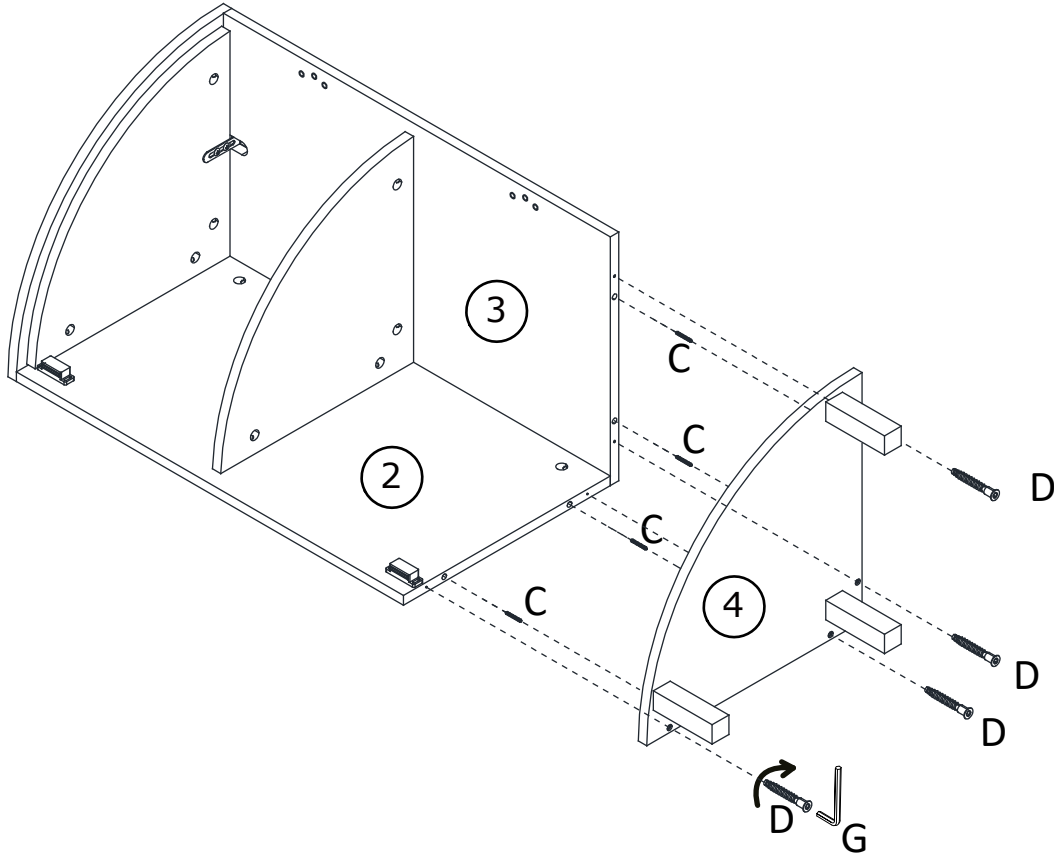
CORNER CABINET

STEP 5



Attach Leg (6) to Bottom Panel (4) and fasten with Bolt (M). Use Allen Key (S) to drive and tighten (M).

STEP 6

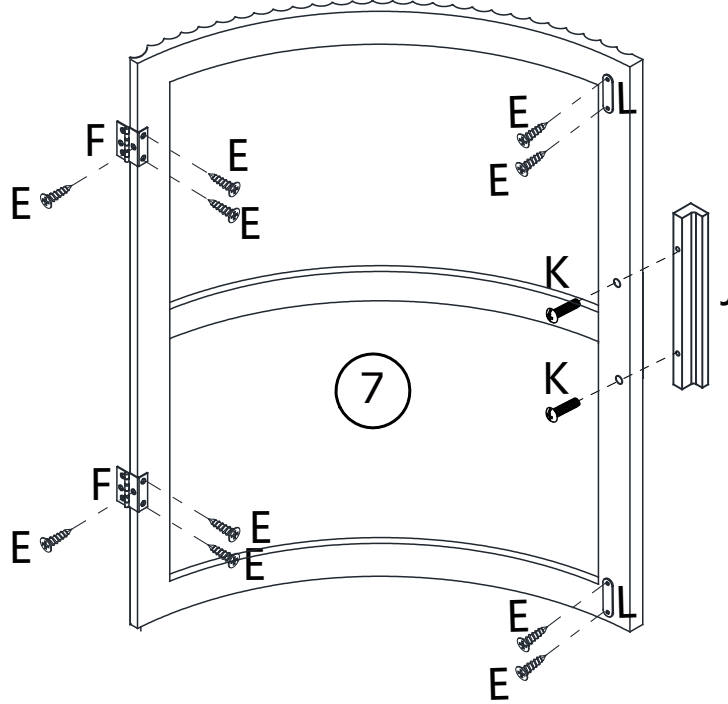



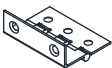
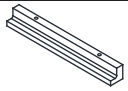


- Insert Wood Dowel (C) into the inner two holes on the bottom edge of (2 & 3).
- Attach the Bottom Panel (4) from STEP 5 to the bottom edge of (2 & 3) via wood dowels and fasten with Screw (D). Use Allen Key (G) to drive and tighten (D).
- Set the assembly right-side up for STEP 8.

ASSEMBLY INSTRUCTIONS

CORNER CABINET

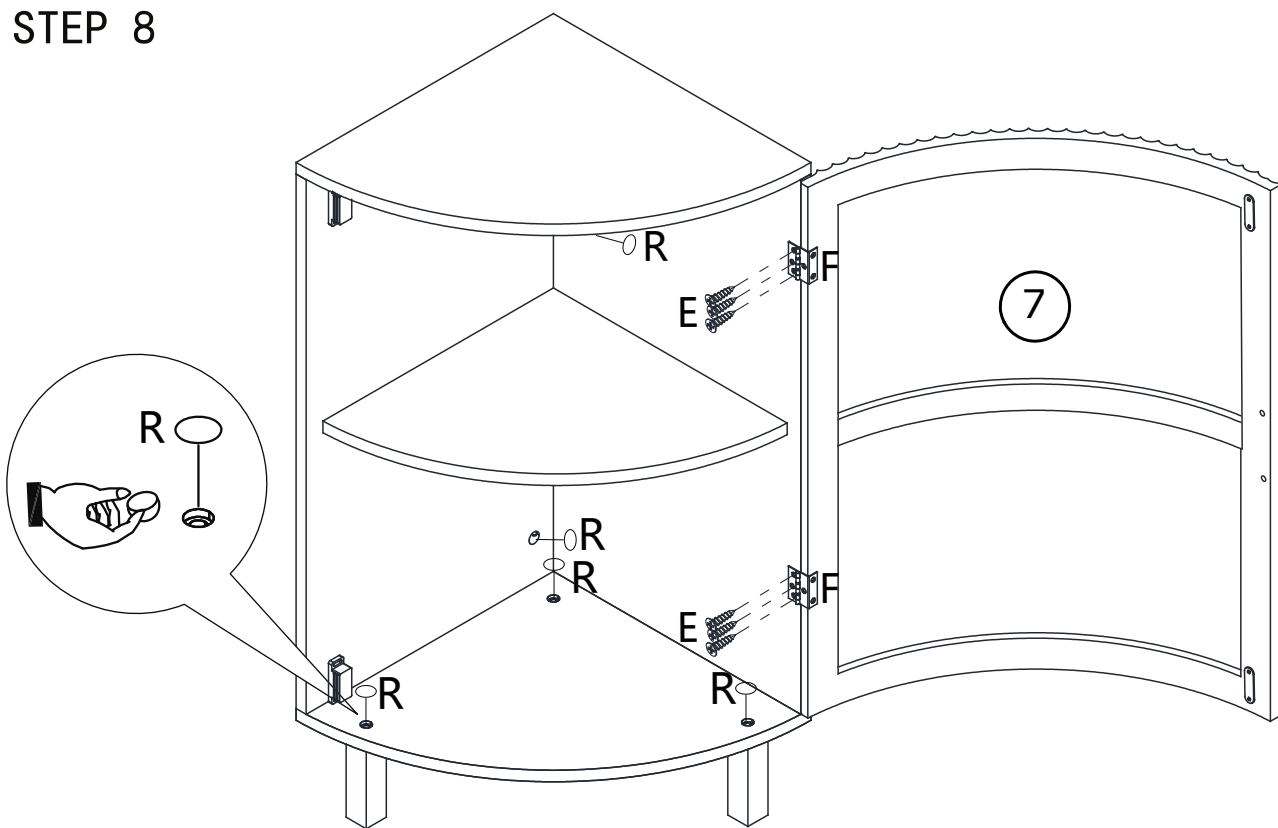
STEP 7





E	x10
	ø3x12mm
F	x2
	
J	x1
	
K	x2
	ø4x18mm
L	x2
	

- Affix Metal Clasp (L) to Door Panel (7) with Screw (E).
- Affix Handle (J) to Door Panel (7) with Screw (K).
- Affix Hinge (F) to Door Panel (7) with Screw (E).

STEP 8



E	x6
	ø3x12mm
R	x5
	ø20mm

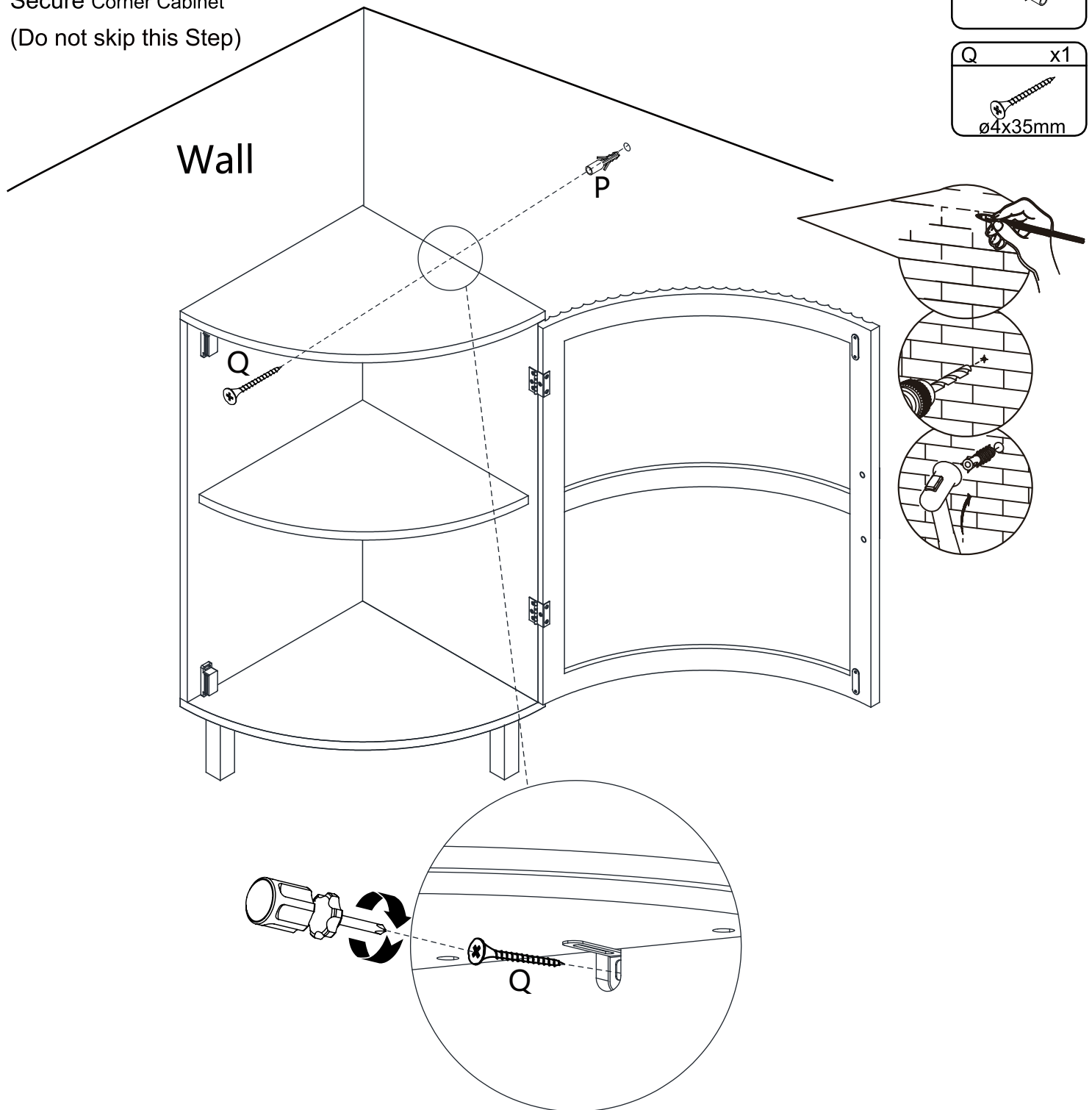
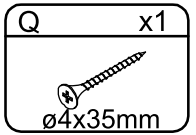
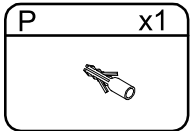
- With assistance, affix Door Panel (7) to the Right Panel of the assembly from Step 6 via Hinge (F) and fasten with Screw (E). Do not tighten the screws completely until all of the screws are in place.
- Use Paper Cover (R) to conceal the screw holes on the Bottom Panel.

ASSEMBLY INSTRUCTIONS

CORNER CABINET

STEP 9

Secure Corner Cabinet
(Do not skip this Step)



- Select the location to place the corner cabinet.
- Mark the location on the wall where the Metal Bracket (L) is to be anchored which will be the location for Wall Anchor (L).
- On the marked location, drill a hole in the wall that will fit (L).
- Fit (L) into the drilled hole. Ensure that (L) fits securely in the wall.
- Use Screw (Q) to affix the bracket to the Wall Anchor (L).

The assembly of the Corner Cabinet is complete.