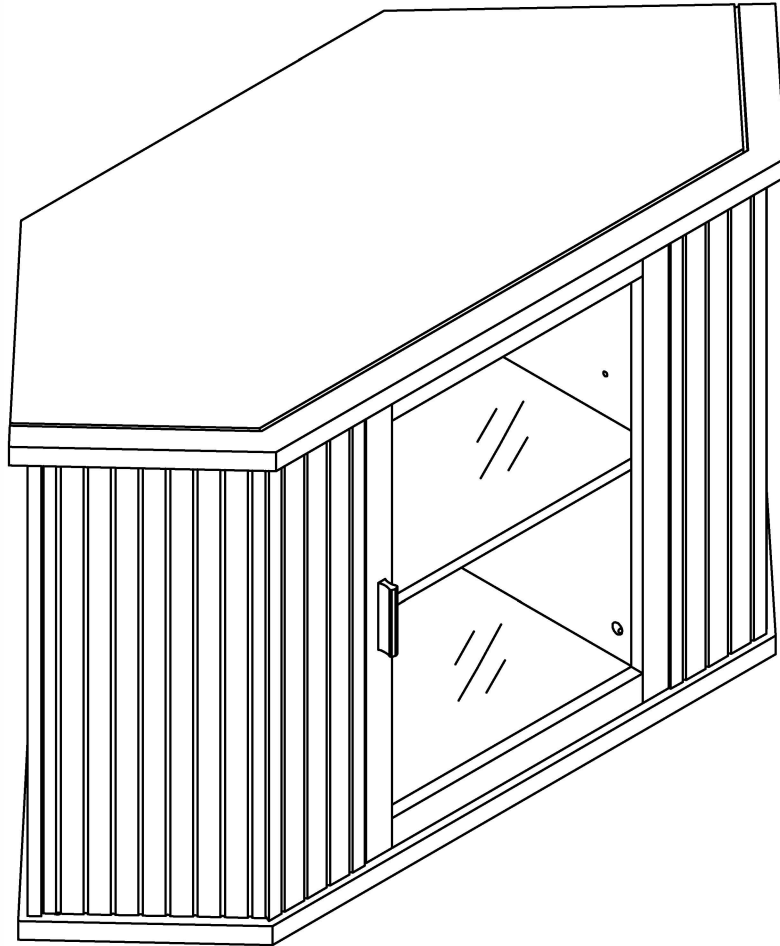


ASSEMBLY INSTRUCTIONS



NOTE TO CUSTOMERS:

- For ease and speed of assembly we recommend that before you commence each step of the assembly that you identify all the parts required to complete that step.
- We recommend that where possible you allow sufficient space to assemble the item as close as possible to the place where it will be once assembled.
- For the protection of your furniture we recommend that the product is placed on protected surfaces during assembly to prevent any damage.
- During assembly do not over tighten ,as this may damage the product.
- Please ensure you retain all the product packaging until the item completely assembled.
- Please periodically check all fittings and re-tighten as necessary.
- Never allow any liquids to remain on your furniture as absorption can cause the wood to warp or the finish to de-laminate.
- It is recommended that this item should be assembled by two adults.

To insert a cam lock: (Please read below instructions before assembling)

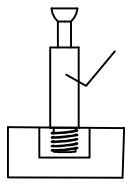
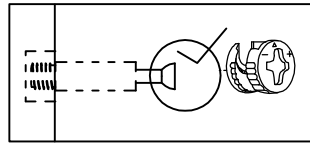


Diagram A



1. Insert cam screw into hole as shown in diagram A .

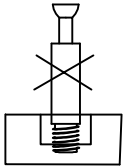
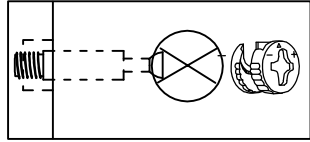


Diagram B



Make sure not to insert the cam screw:
Too deep as shown in figure B as this will cause the
cam screw to be misaligned and unable to
interlock properly.

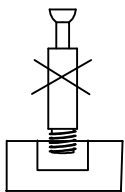
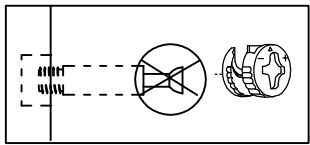
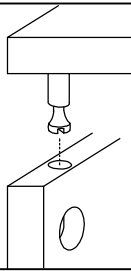


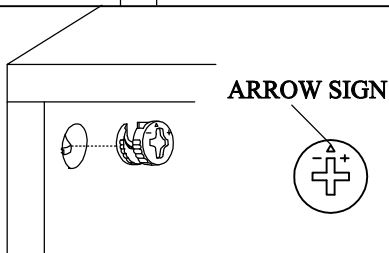
Diagram C



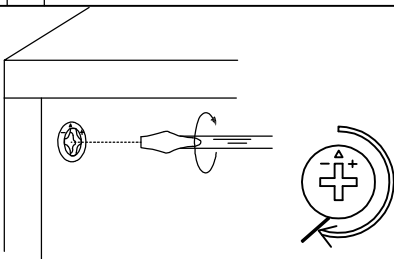
Also avoid inserting the cam screw too close to the
surface of the hole as shown in figure C, as this will
cause the cam lock to be too loose, and not interlock
properly.



2. Connect the panels together.



3. When inserting the cam lock make sure the arrow
of the cam lock faces the cam screw.



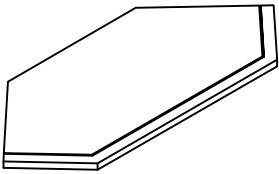
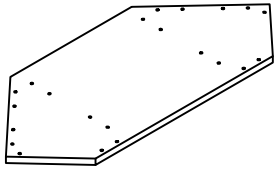
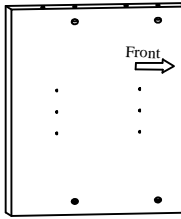
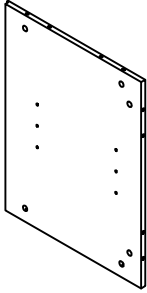


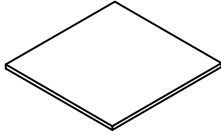
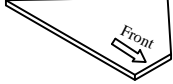
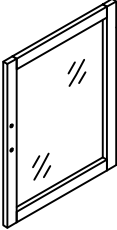
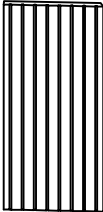
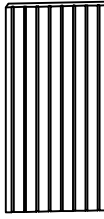
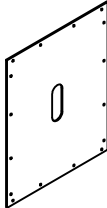
4. To tighten the cam lock turn the cam lock clockwise
90-180 degree or until the arrow is facing opposite
the place cam lock was inserted.

**NOTE: DO NOT USE AN AUTOMATIC
SCREWDRIVER TO TIGHTEN CAM LOCKS.**

Note:

- Read these instructions carefully before assembling.
- Tools required : Phillips screwdriver, flat screwdriver.
- Find a clean, smooth area on which to work , such as a carpet, in order to avoid scratching the wood surfaces.
- Wait to dispose of the packing material until assembly is complete and all parts and hardware are accounted for.
- Two or more people might be required for assembly.

Part List

<p>A1. Quantity of 1</p>  <p style="text-align: center;">Top Panel</p>	<p>A2. Quantity of 1</p>  <p style="text-align: center;">Bottom Panel</p>	<p>A3. Quantity of 2</p>  <p style="text-align: center;">Side Panel</p>	<p>A4. Quantity of 2</p>  <p style="text-align: center;">Middle Divider</p>
<p>A5. Quantity of 1</p>  <p style="text-align: center;">Left Front Panel</p>	<p>A6. Quantity of 1</p>  <p style="text-align: center;">Right Front Panel</p>	<p>A7. Quantity of 1</p>  <p style="text-align: center;">Middle Adjustable Shelf</p>	<p>A8. Quantity of 2</p>  <p style="text-align: center;">Adjustable Shelf</p>
<p>A9. Quantity of 1</p>  <p style="text-align: center;">Middle Door</p>	<p>A10. Quantity of 1</p>  <p style="text-align: center;">Left Door</p>	<p>A11. Quantity of 1</p>  <p style="text-align: center;">Right Door</p>	<p>A12. Quantity of 1</p>  <p style="text-align: center;">Back Panel</p>



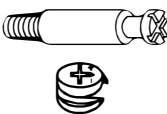

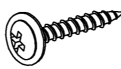


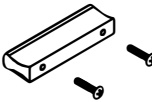
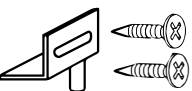
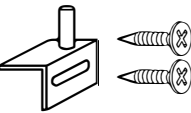
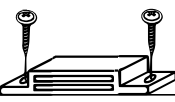

WARNING:

**Serious or fatal crushing injuries can occur from furniture tip-over.
To help prevent tip-over:**

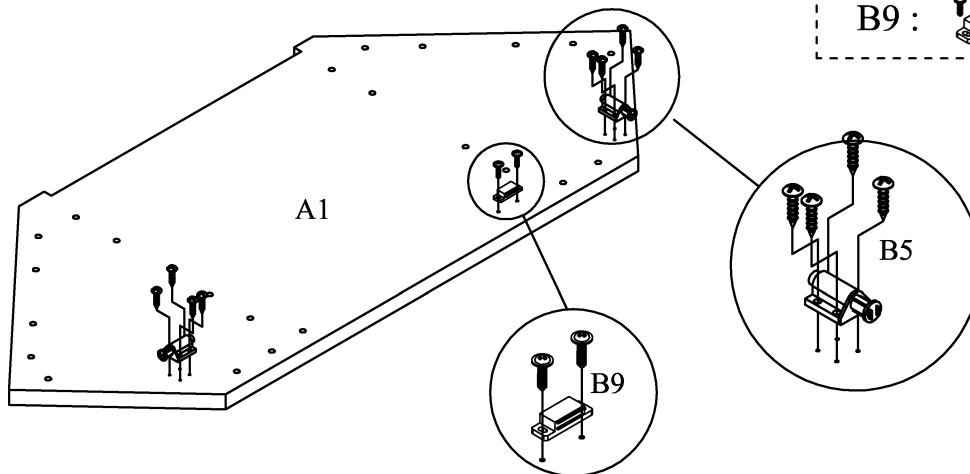
- Place heaviest items in the lowest drawers
- Unless specifically designed to accommodate, do not set televisions or other heavy objects on top of this product.
- Never allow children to climb or hang on drawer, doors, or shelves.
- Never open more than one drawer at a time. (OR)
- Do not defeat or remove the drawer interlock system.

Use of tip-over restraints may only reduce, but not eliminate the risk of tip-over

Hardware List

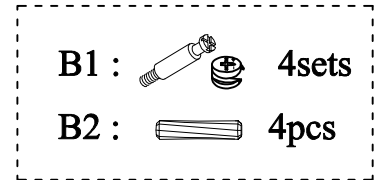
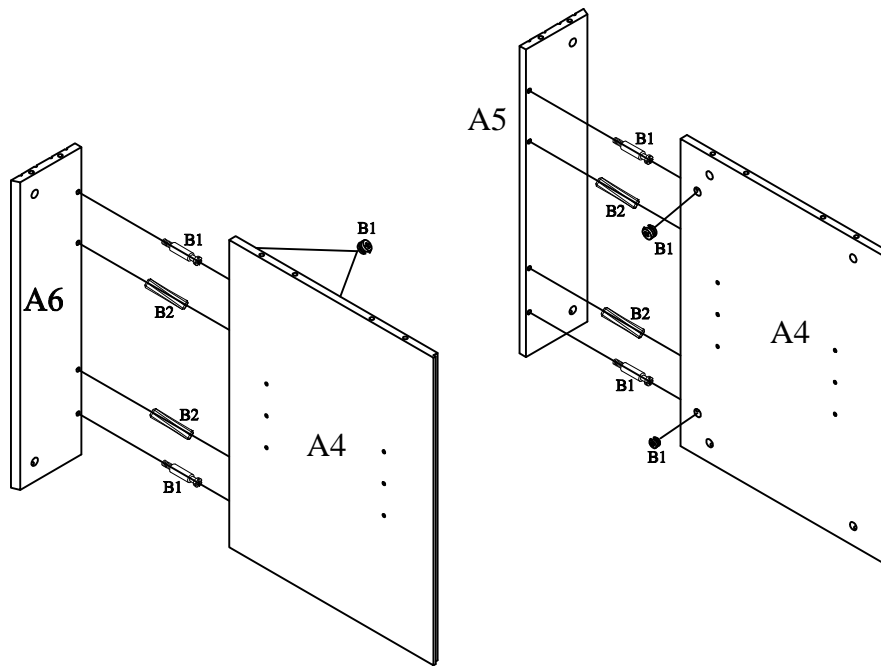
B1 Quantity of 24  Camlock	B2 Quantity of 24  Wood Dowel	B3 Quantity of 16  Screw	B4 Quantity of 12  Shelf Support
B5 Quantity of 2  Magnet	B6 Quantity of 1  Door Knob	B7 Quantity of 1  Hinge	B8 Quantity of 1  Hinge
B9 Quantity of 1  Magnet	B10 Quantity of 4  Door Pin		

Step 1



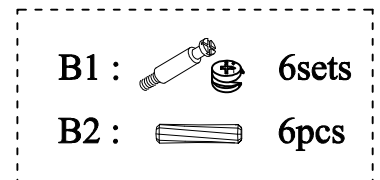
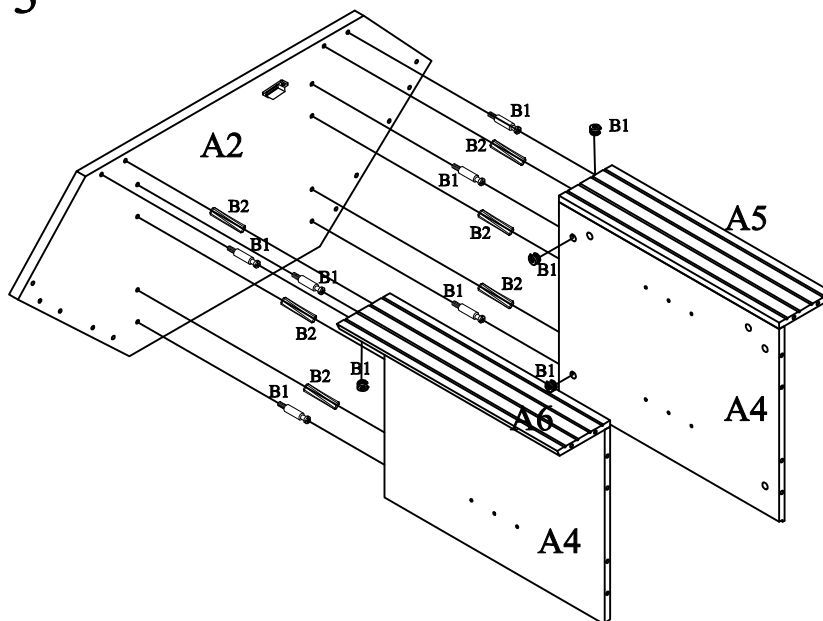
Attach Magnets B9 and B5 to the bottom of Top Panel A1 using included Screws.
 (Holes for screw B9 & B5 are **pre-drilled.**)

Step 2



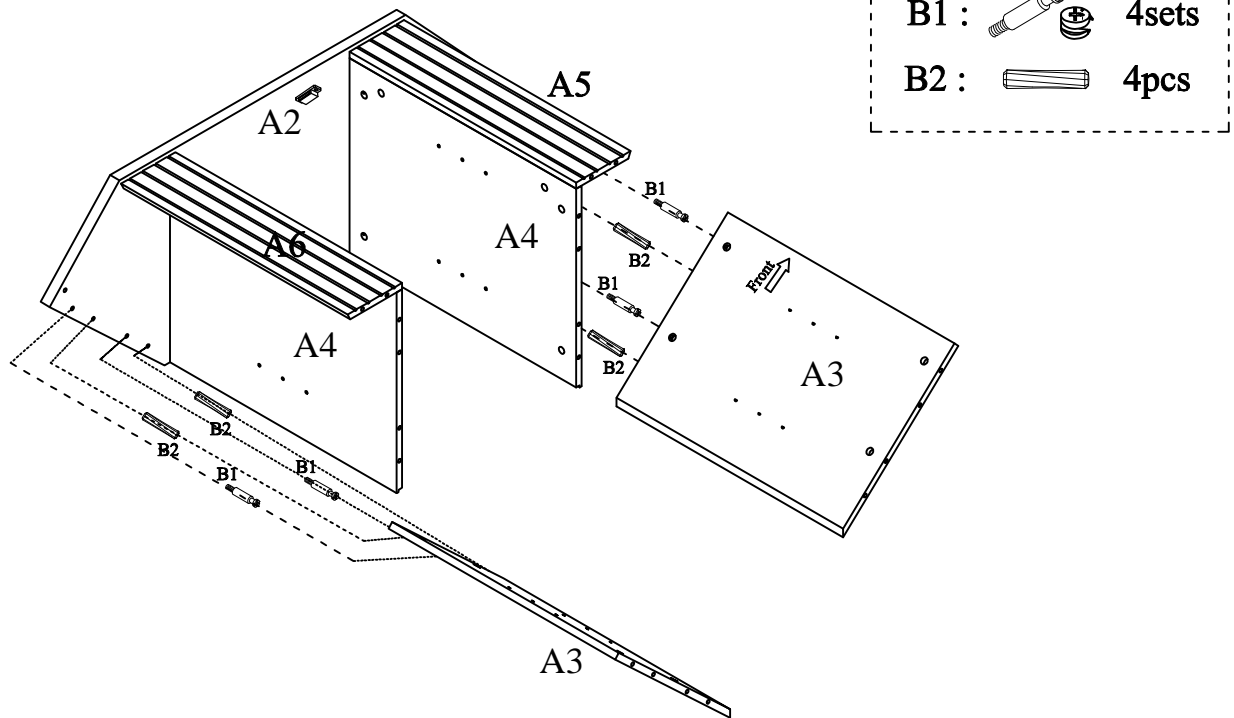
Assemble Front Panels A5 & A6 to Middle Dividers A4 using Camlocks B1 and Wood Dowels B2.

Step 3



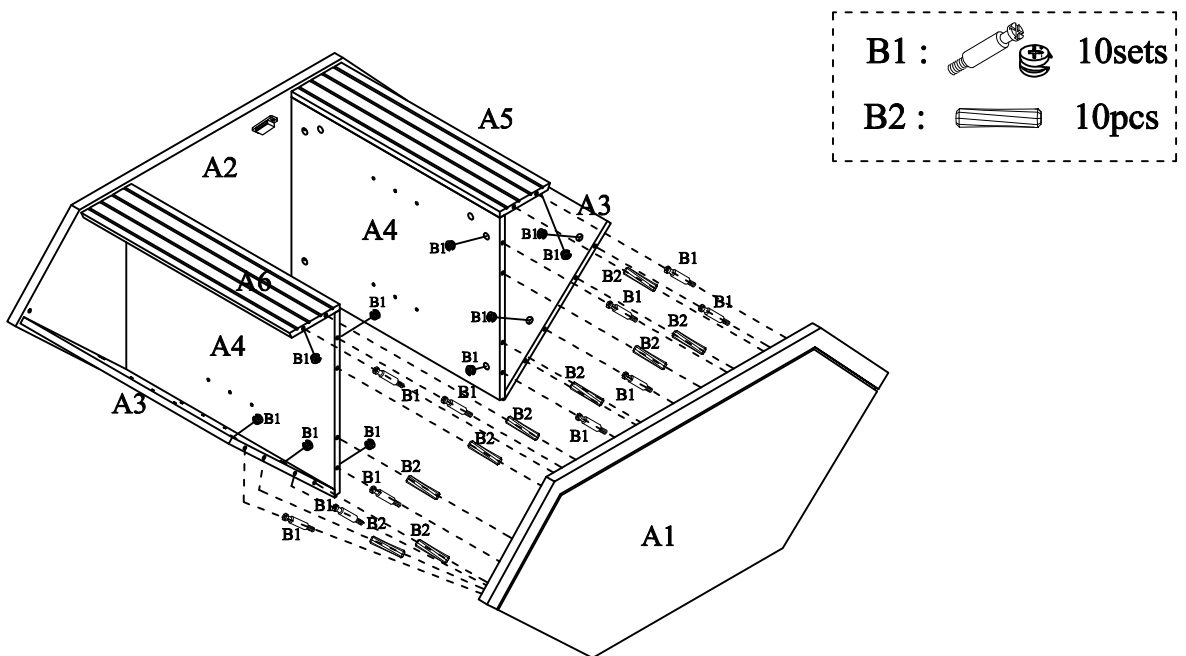
Assemble Bottom Panel A2 to Middle Dividers A4 and Front Panels A5&A6 using Camlocks B1 and Wood Dowels B2.

Step 4



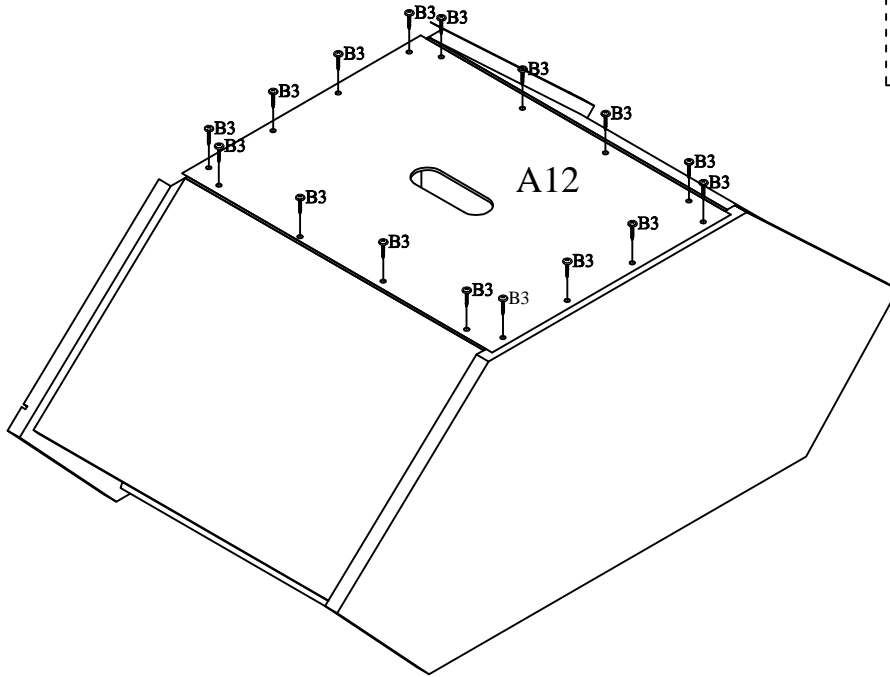
Assemble Side Panels A3 to Bottom Panel A2 using Camlocks B1 and Wood Dowels B2.

Step 5



Assemble Top Panel A1 to Side Panels A3, Middle Dividers A4, Front Panels A5&A6 using Camlocks B1 and Wood Dowels B2.

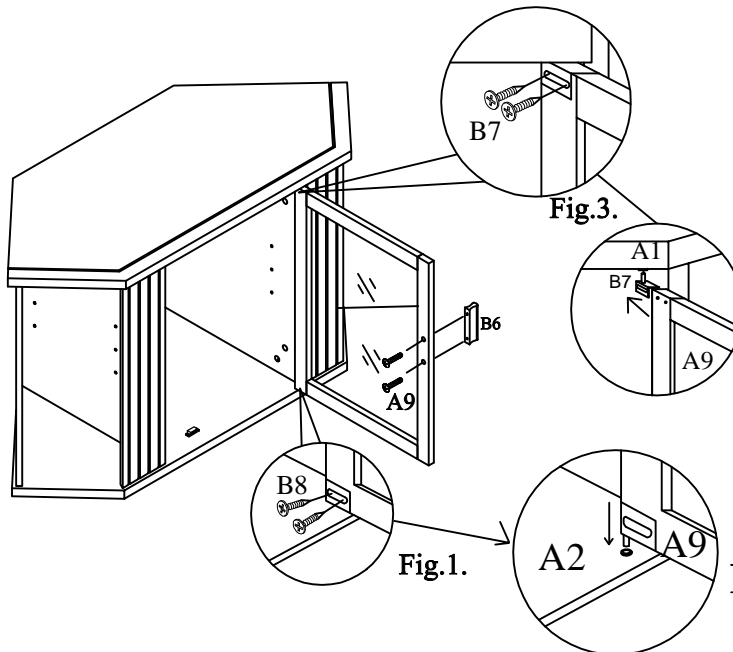
Step 6



B3 :  16pcs

Attach Back Panel A12 to the back of this unit using Screws B3.
Note: Holes are pre-drilled.

Step 7



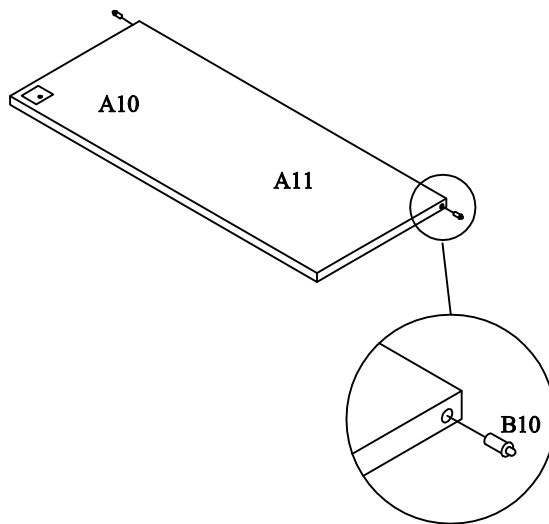
B6 :  1set

B7 :  1set

B8 :  1set

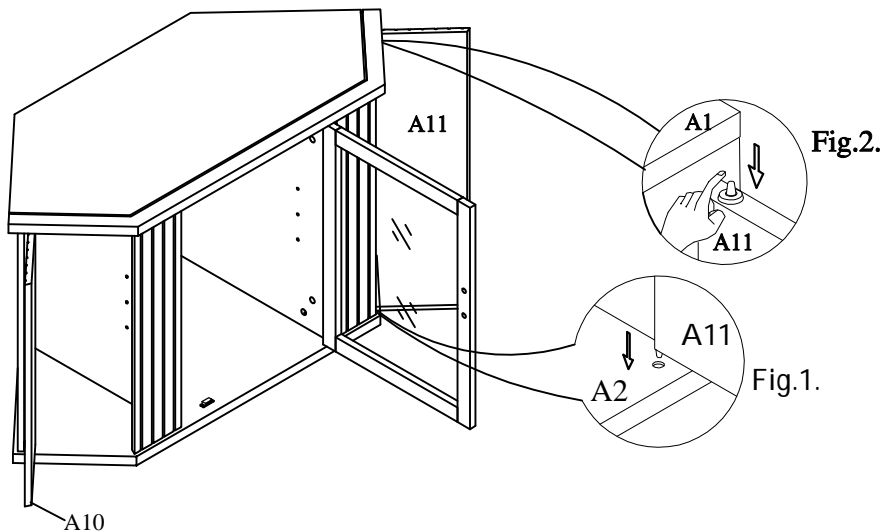
- 1). Attach Door Knob B6 to Middle Door A9 using included Bolts.
- 2). Assemble Hinge B8 to the bottom of Door A9 using included Screws as Fig.1.
- 3). Insert Hinge B8 which on the bottom of Door A9 into the pre-drilled hole on the Bottom Panel A2 as Fig.2.
- 4). Insert Upper Hinge B7 into the pre-drilled hole on the bottom of Top Panel A1, then hold it and assemble Door A9 to Hinge B7 using included screws as Fig.3.

Step 8




Insert Door Pins B10 into the holes on the Doors A10 & A11.

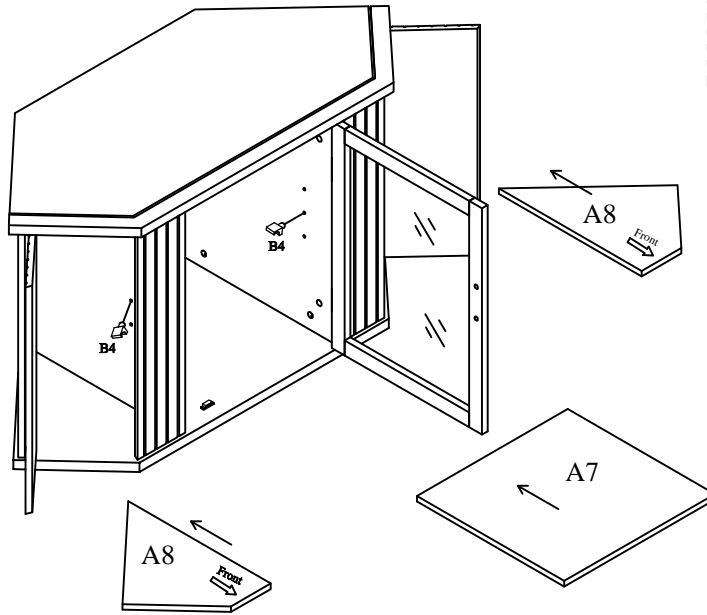
Step 9



- 1). Connect Right Door A11 to Bottom Panel A2 as Fig.1. Then press Upper Door Pin B10 on the top of Right Door A11 as Fig.2. and insert the door carefully into the cabinet with Upper Pin B10 popping up into to hole on the bottom of Top Panel A1.
- 2). Repeat above step to assemble Left Door A10.

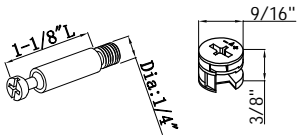
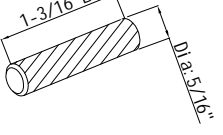
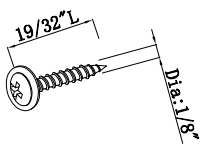
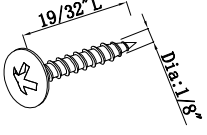
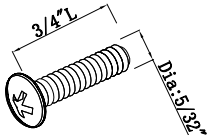
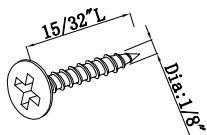
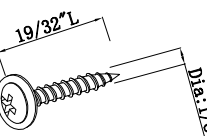
Step 10

B4 :  **12pcs**



- 1). Insert Shelf Supports B4 into the holes on both sides of Middle Dividers A4 and Side panels A3 .
- 2). Place Middle Adjustable Shelf A7 & Adjustable shelf A8 on the top of Shelf Supports B4 as shown above.

APPENDIX: Dimension of Hardwares in this AI.

<p>B1.</p>  <p>Cam-bol t -Lock</p>	<p>B2.</p>  <p>Wood Dowel</p>	<p>B3</p>  <p>Screw</p>
<p>B5.</p>  <p>Screw</p>	<p>B6.</p>  <p>Bol t</p>	<p>B7&B8.</p>  <p>Screw</p>
<p>B9.</p>  <p>Screw</p>		