

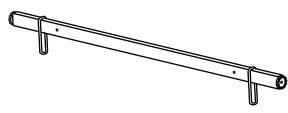
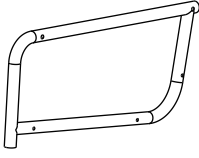

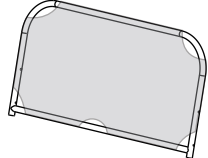
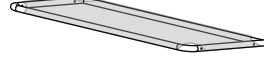
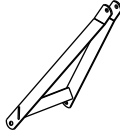

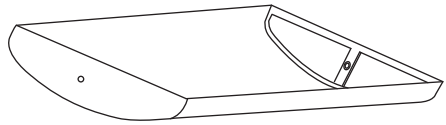
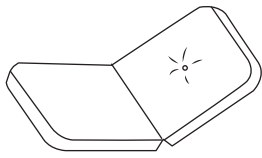


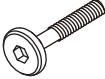
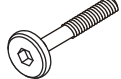
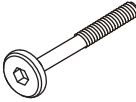
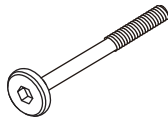











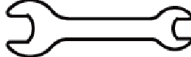
2 Person Porch Swing Assembly Instructions



Before You Start

- ⦿ Please read all instructions carefully.
- ⦿ Retain instructions for future reference.
- ⦿ Separate and count all parts and hardware.
- ⦿ Read through each step carefully and follow the proper order.
- ⦿ We recommend that, where possible, all items are assembled near to the area in which they will be placed in use, to avoid moving the product unnecessarily once assembled.
- ⦿ Always place the product on a flat, steady and stable surface.
- ⦿ Keep all small parts and packaging materials for this product away from babies and children as they potentially pose a serious choking hazard.

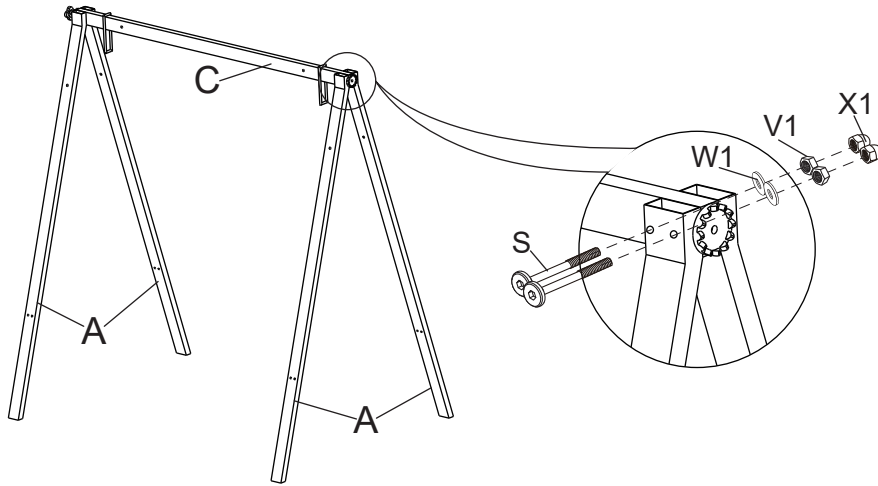
Parts List			
A  4PCS	B  2PCS	C  1PC	D  2PCS
E1  4PCS	F  1PC	G  1PC	H  2PCS
J  2PCS	L  1PC	M  2PCS	

Screw Package List			
O  M6*35 12PCS	P  M6*40 2PCS	R  M6*68 8PCS	S  M6*82 4PCS
T  M8*40 4PCS	U  2PCS	V1  M6 18PCS	W1  M6 18PCS
X1  M6 18PCS	AA-M6  Allen Key 1PC	V2  M8 4PCS	W2  M8 4PCS
X2  M8 4PCS	AA-M8  Allen Key 1PC	Y  8PCS	BB  1PC

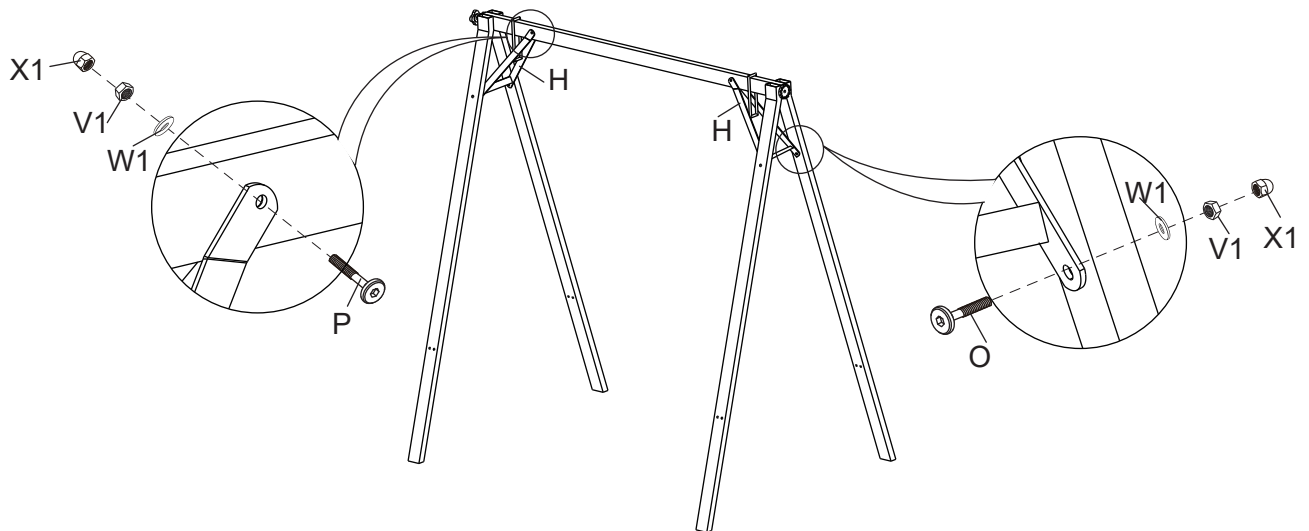
Assembly Guide

STEP 1

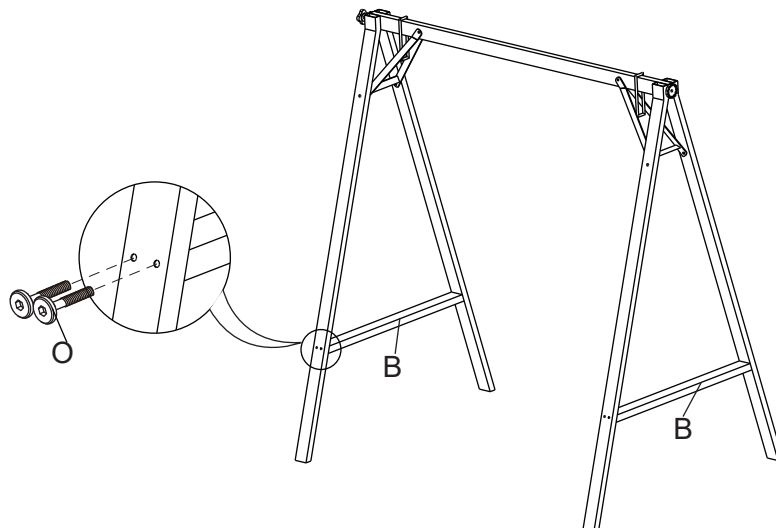
Please carefully check the type and quantity of screws for correct installation.
(Considering both sides of the swing.)



STEP 2

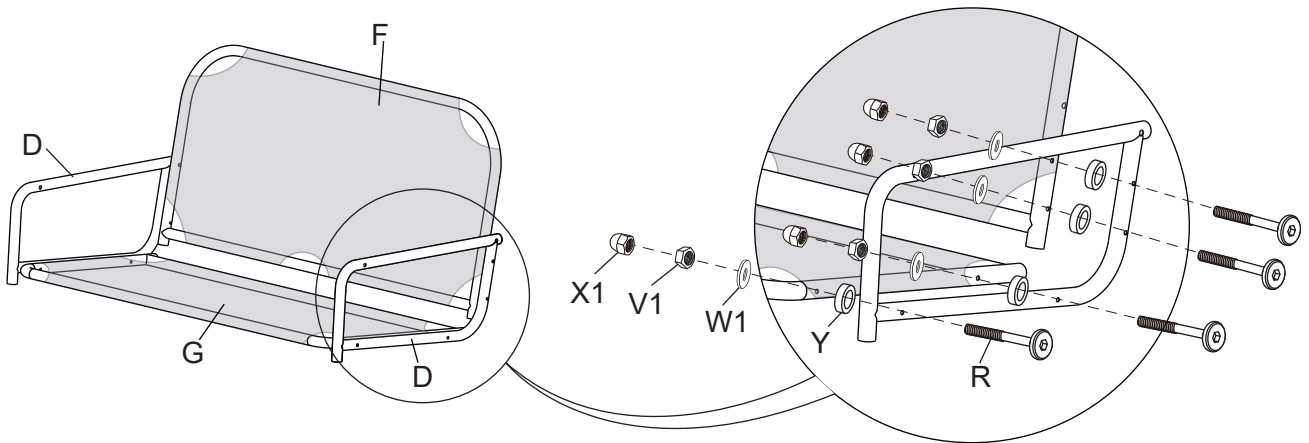


STEP 3



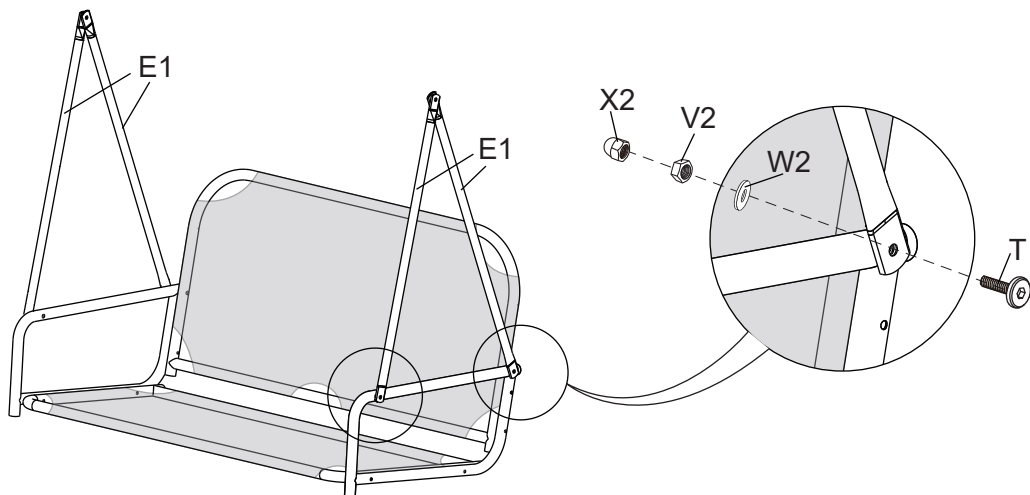
STEP 4

Please carefully check the type and quantity of screws for correct installation Part D.
(See the circle on side of the seat for details.)



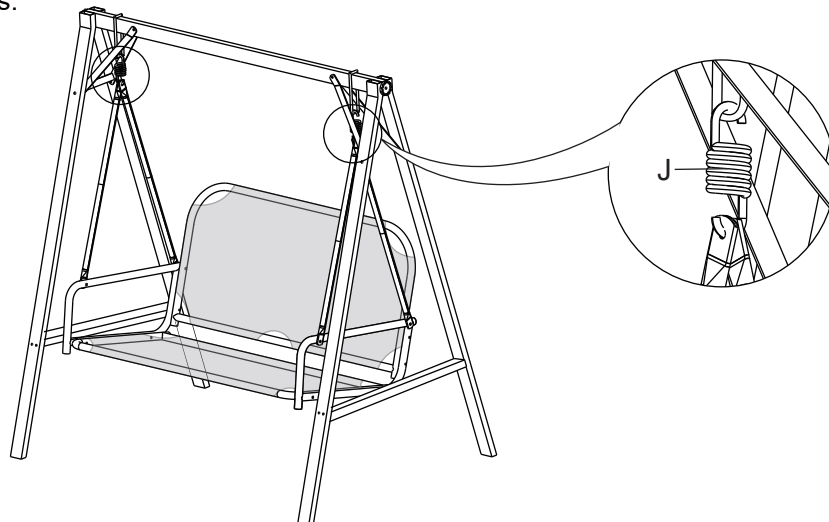
STEP 5

Please carefully check the type and quantity of screws for correct installation Part E1.
(See the circle on side of the seat for details, considering both sides and 4 corners of the swing.)



STEP 6

Install steel spring hooks.



STEP 7

Install canopy Part L.

Install knob Part U and cushion Part M.

