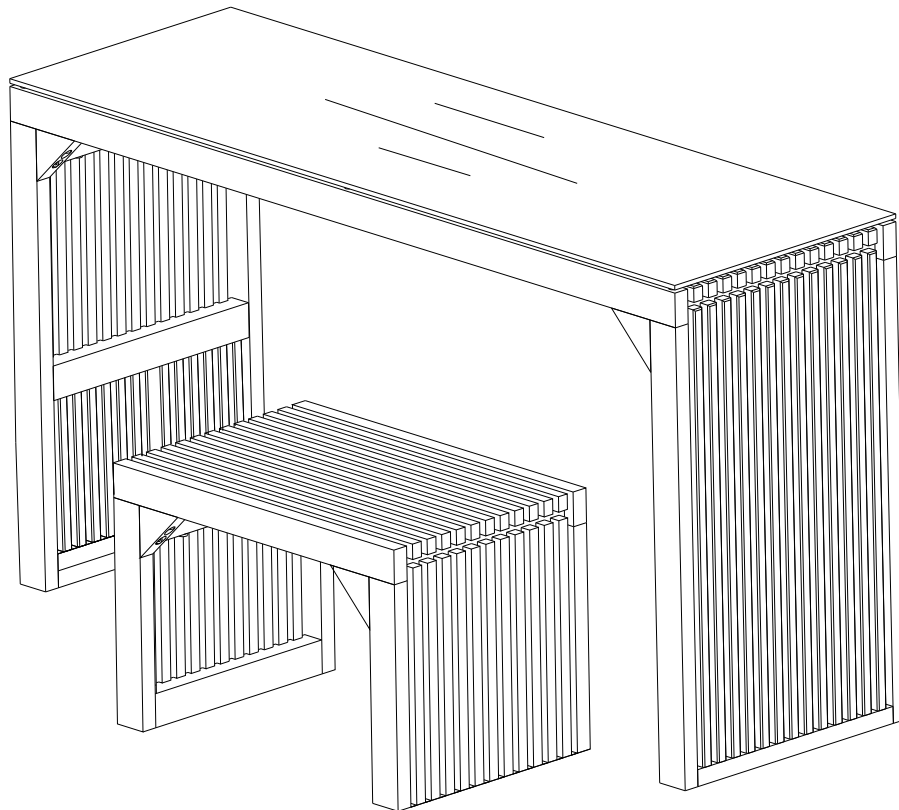


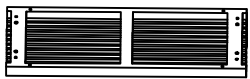


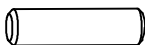


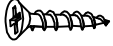

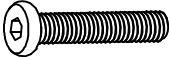



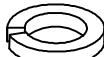



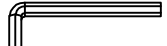


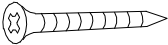
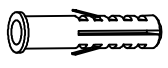



Grid stool-S

Assembly Instruction

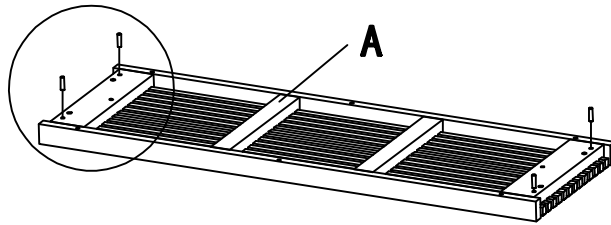
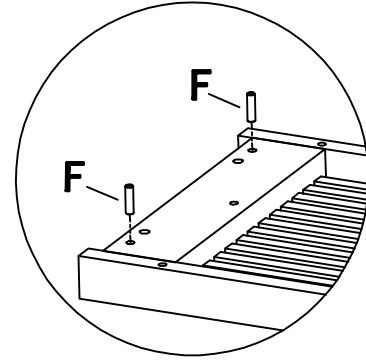


Number	Parts	Quantity
A	 Panel	1PC
B	 Table leg	2PCS
C	 Panel	1PC
D	 Table leg	2PCS
E	 Glass	1PC
F	 Wooden Dowel ø8mm	8PCS
G	 Triangular fixation	8PCS
H	 Console Table Triangular fixation	2PCS
I	 Screw	1PCS
J	 Screw ø6*25mm	4PCS
K	 Screw ø6*30mm	16PCS
L	 Screw ø8*70mm	8PCS

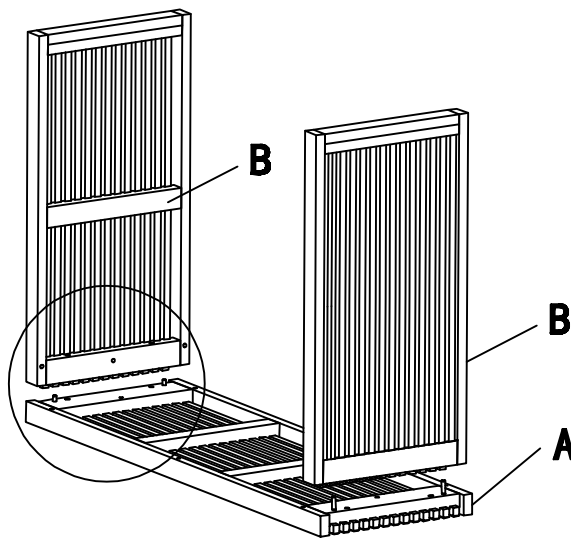
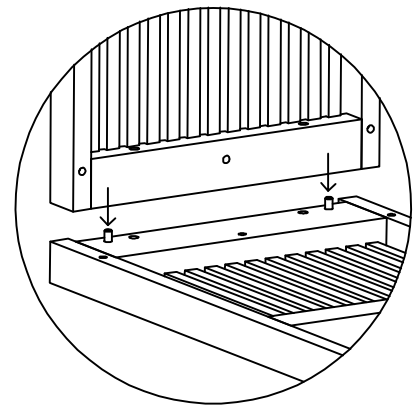
Number	Parts	Quantity
M	 Spring gasket ø6mm	20PCS
N	 Gasket ø6mm	20PCS
O	 Spring gasket ø8mm	8PCS
P	 Gasket ø8mm	8PCS
Q	 Silicone pad	6PCS
R	 Non slip furniture pads	8PCS
S	 Allen Key ø4mm	1PC
T	 Allen Key ø5mm	1PC
U	 Anti tipping hardware	2PCS
V	 Wooden screws ø8*40	1PC
W	 Aircraft rubber stopper ø8*38	1PC
X		1PC

STEP 1





 **F X4**

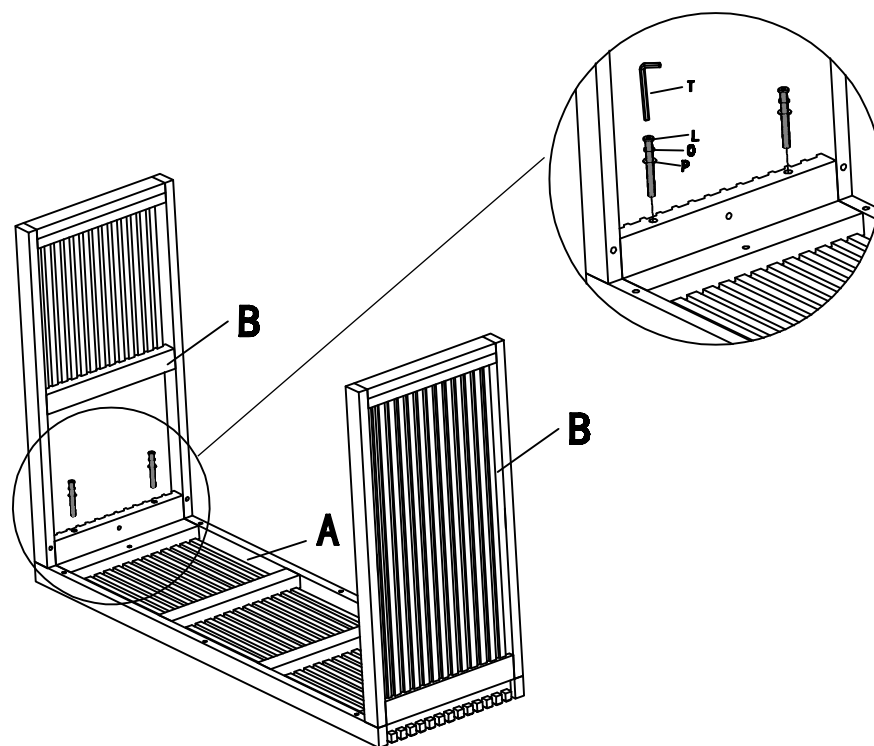






STEP 2

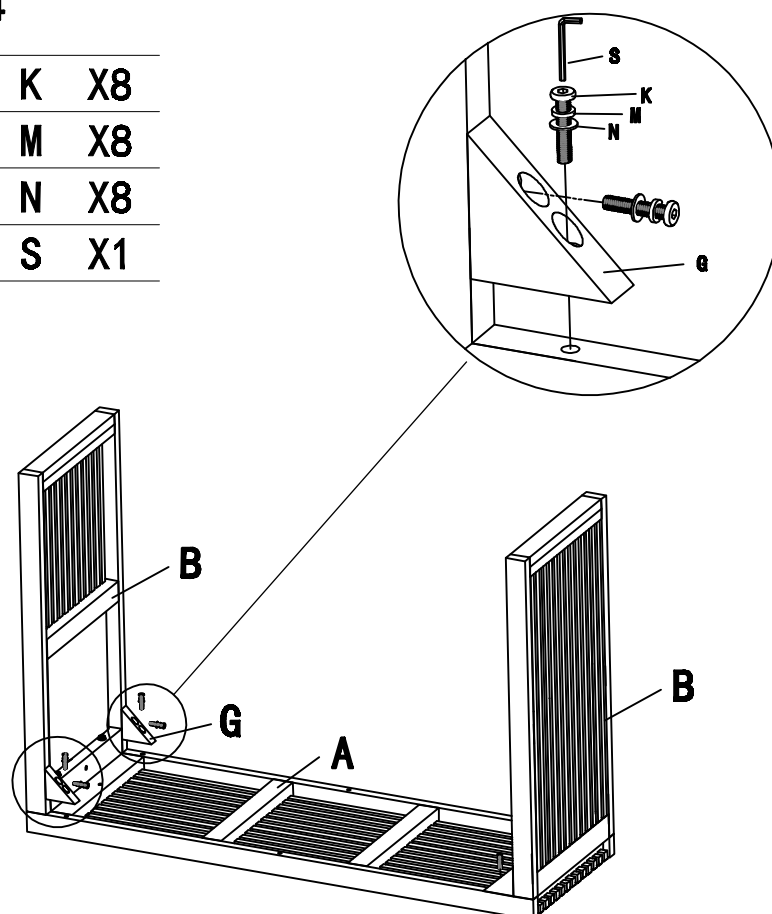


STEP 3





	L	X4
	O	X4
	P	X4
	T	X1

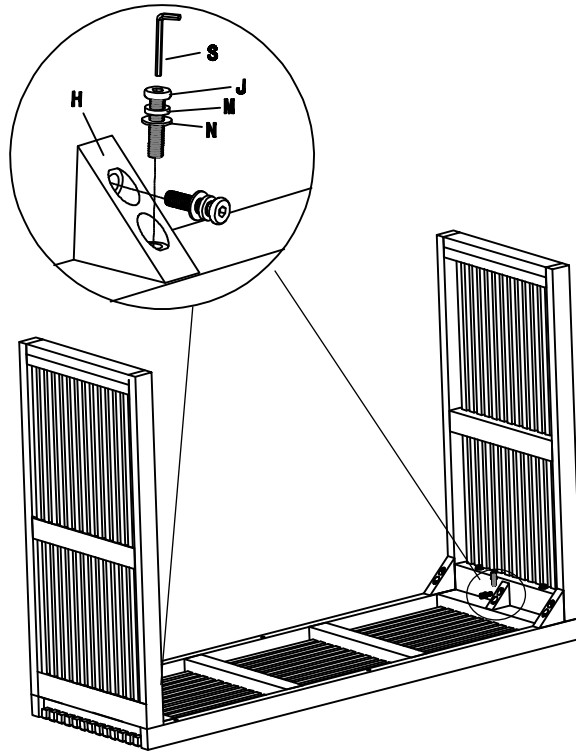
**STEP 4**

	K	X8
	M	X8
	N	X8
	S	X1

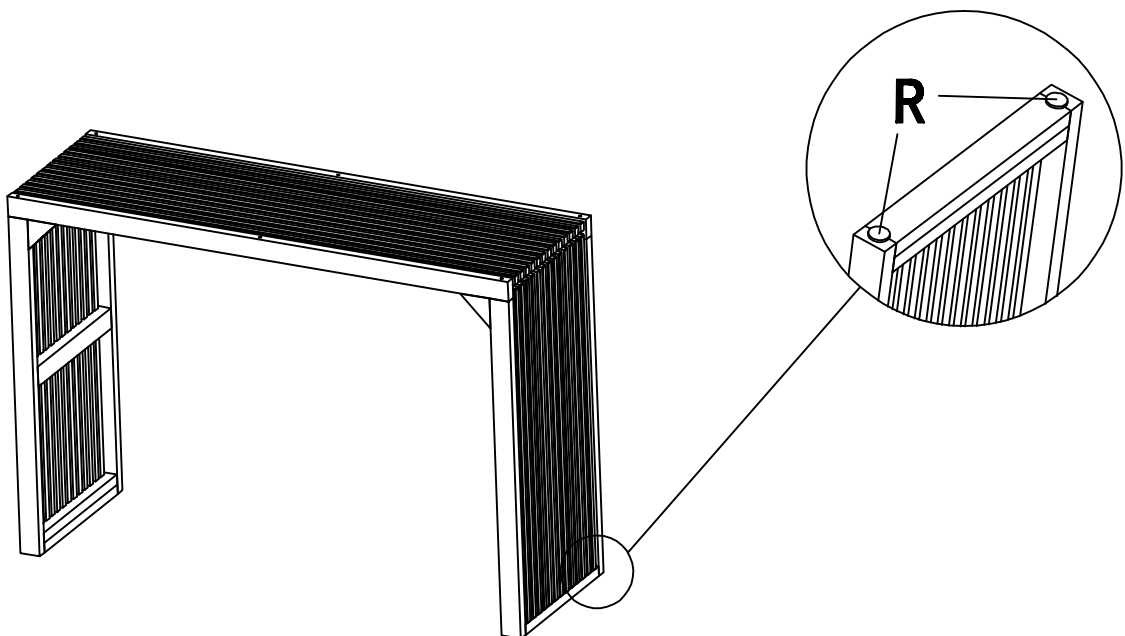


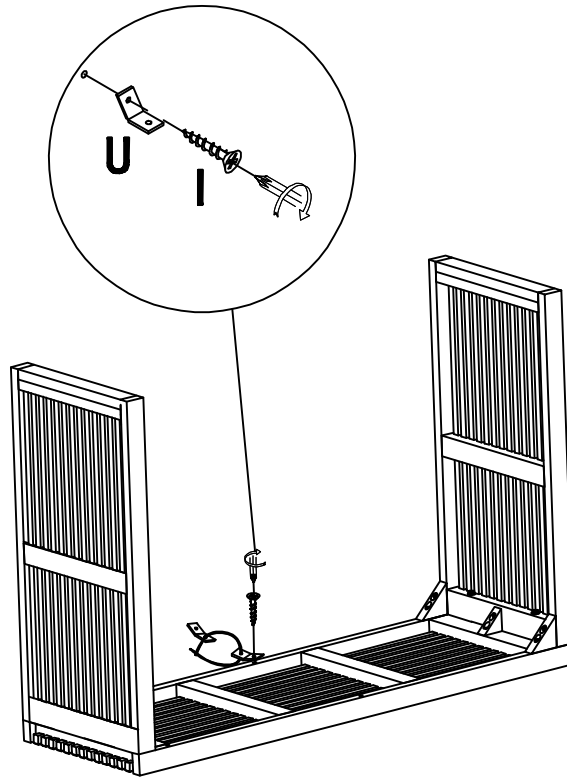
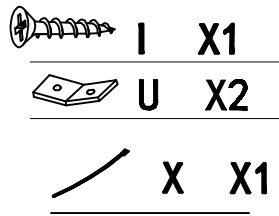
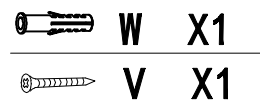
STEP 5

	J	X4
	M	X4
	N	X4
	S	X1

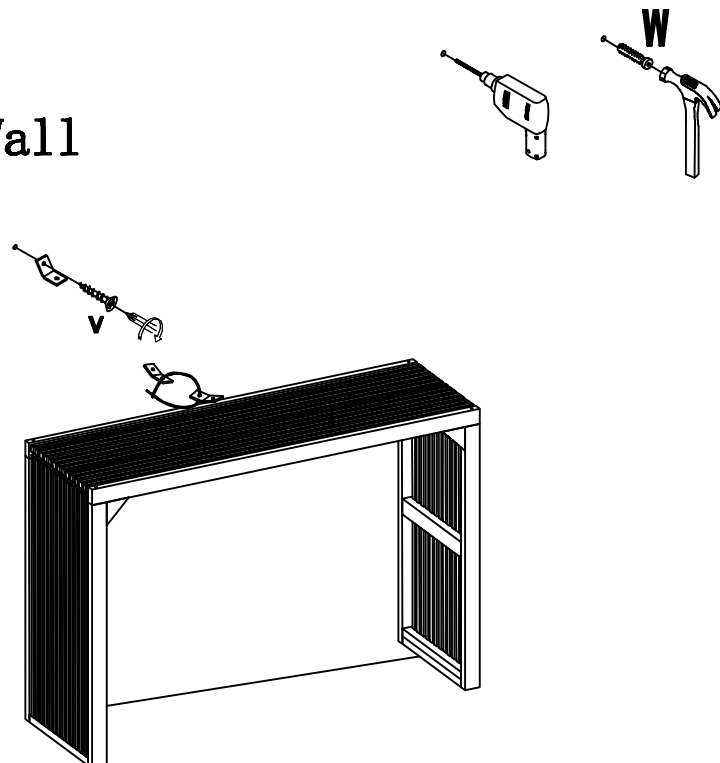
**STEP 6**

	R	X4
---	----------	-----------



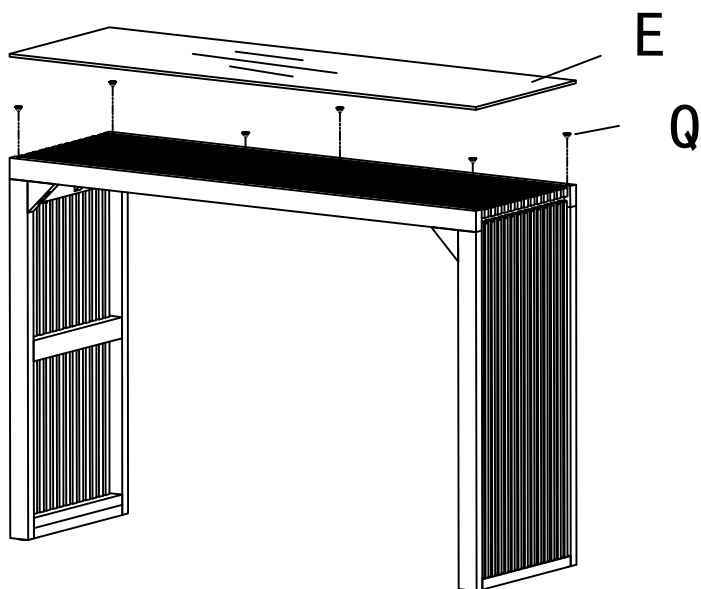
STEP 7**STEP 8**

Wall

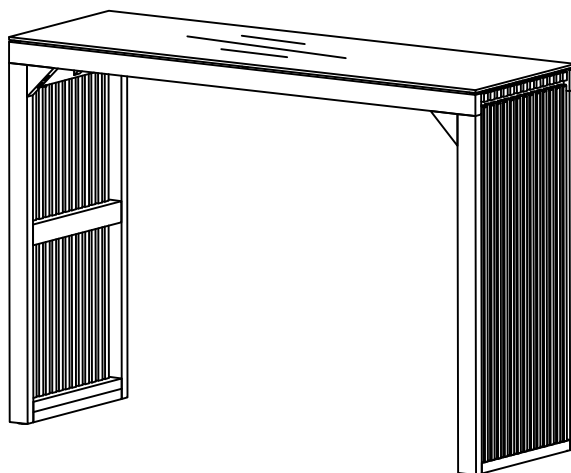


STEP 9

 Q X6

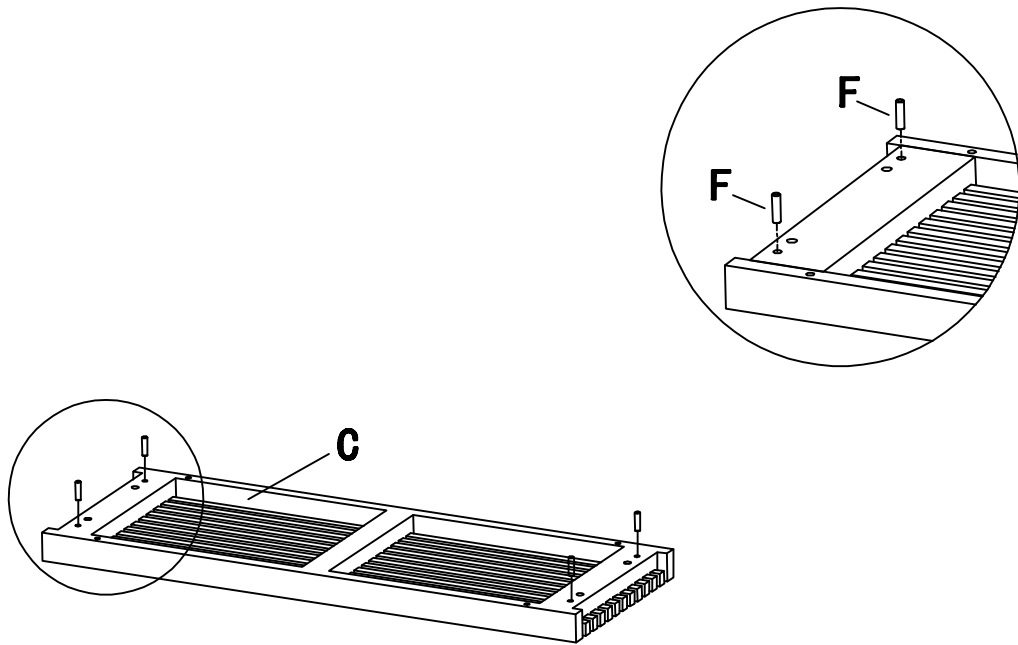


STEP 10

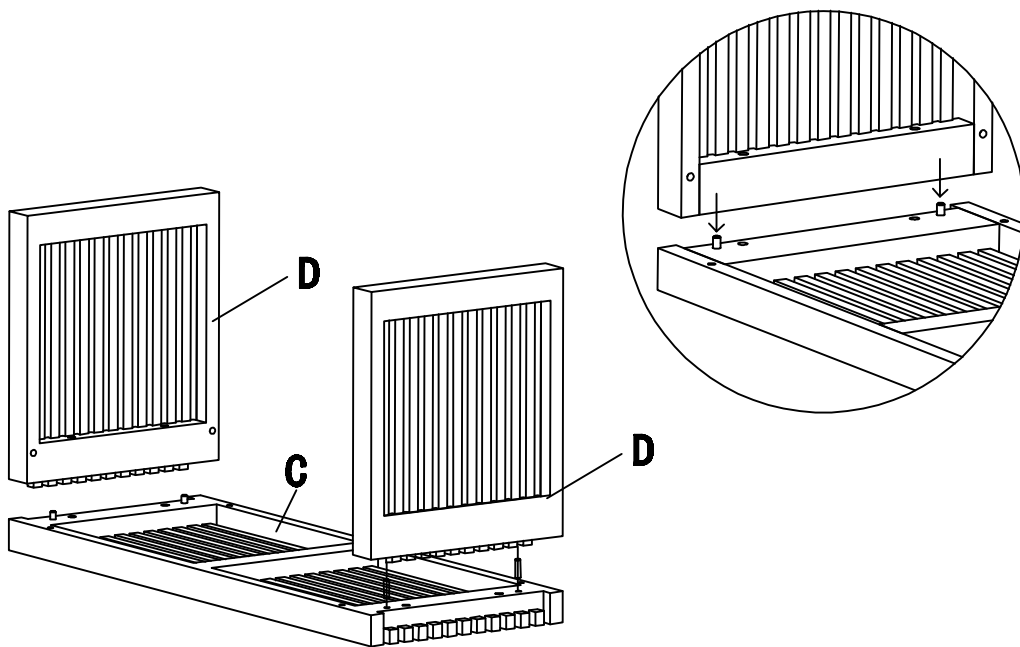


STEP 11





 **F X4**

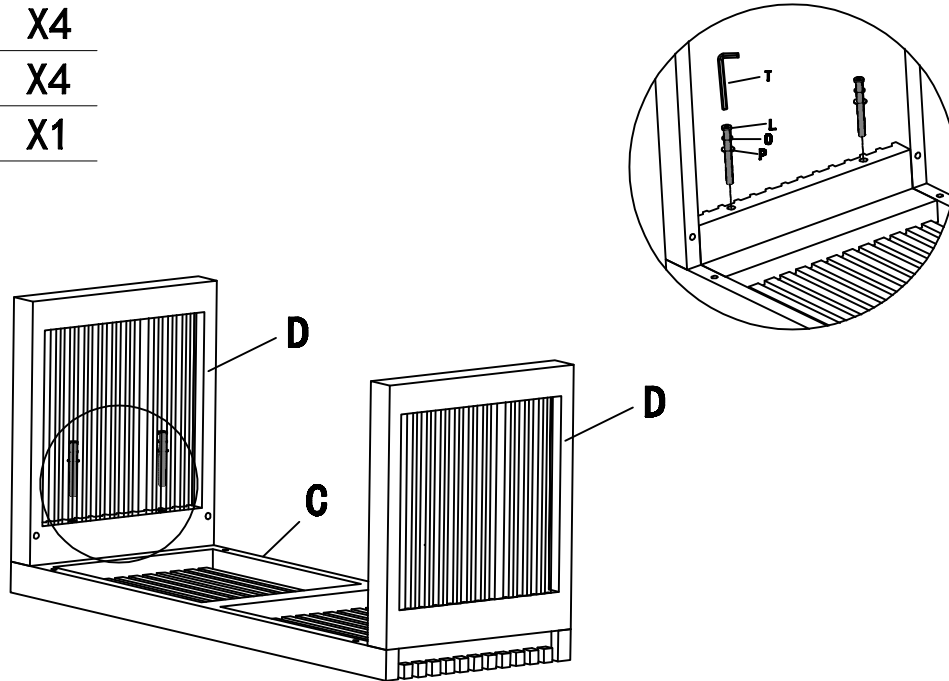


STEP 12







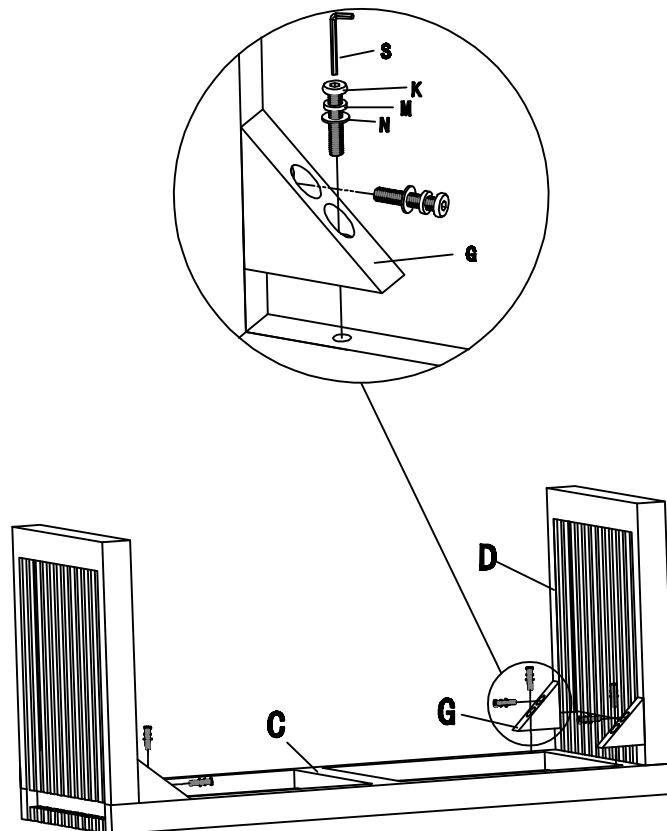
STEP 13

	L	X4
	O	X4
	P	X4
	T	X1



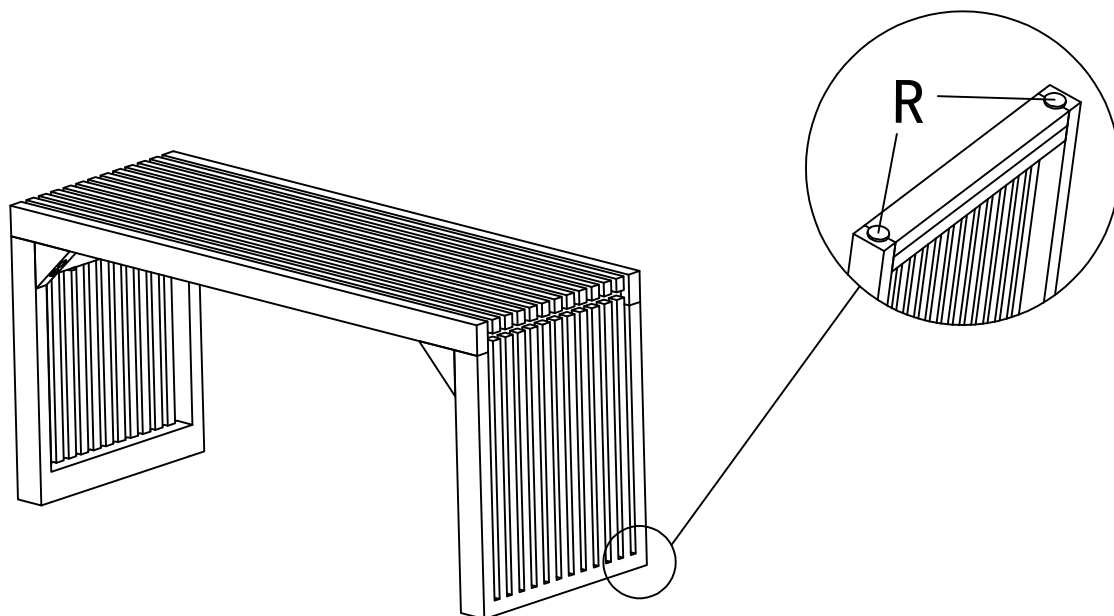
STEP 14

	K	X8
	M	X8
	N	X8
	S	X1



STEP 15

 R X4



STEP 16

