

# HEADBOARD

## ASSEMBLY INSTRUCTIONS

Before assembling your headboard, please read through these instructions carefully and familiarize yourself with the different parts.

**ATTENTION!** If you receive a damaged or defective item, please contact affurnishings at customerservice.

### PARTS LIST

- 1 HEADBOARD PANEL 1 PC
- 2 LEFT LEG 1 PC
- 3 RIGHT LEG 1 PC

Instructions apply for bed sizes  
TWIN > FULL

### HARDWARE

- A** JCB M6 X 110mm (4 3/8") - 4 pcs  
Spare - 1 pc
- B** Barrel nut - 4 pcs  
Spare - 1 pc
- F** Allen wrench - 1pc  
Spare - 1pc

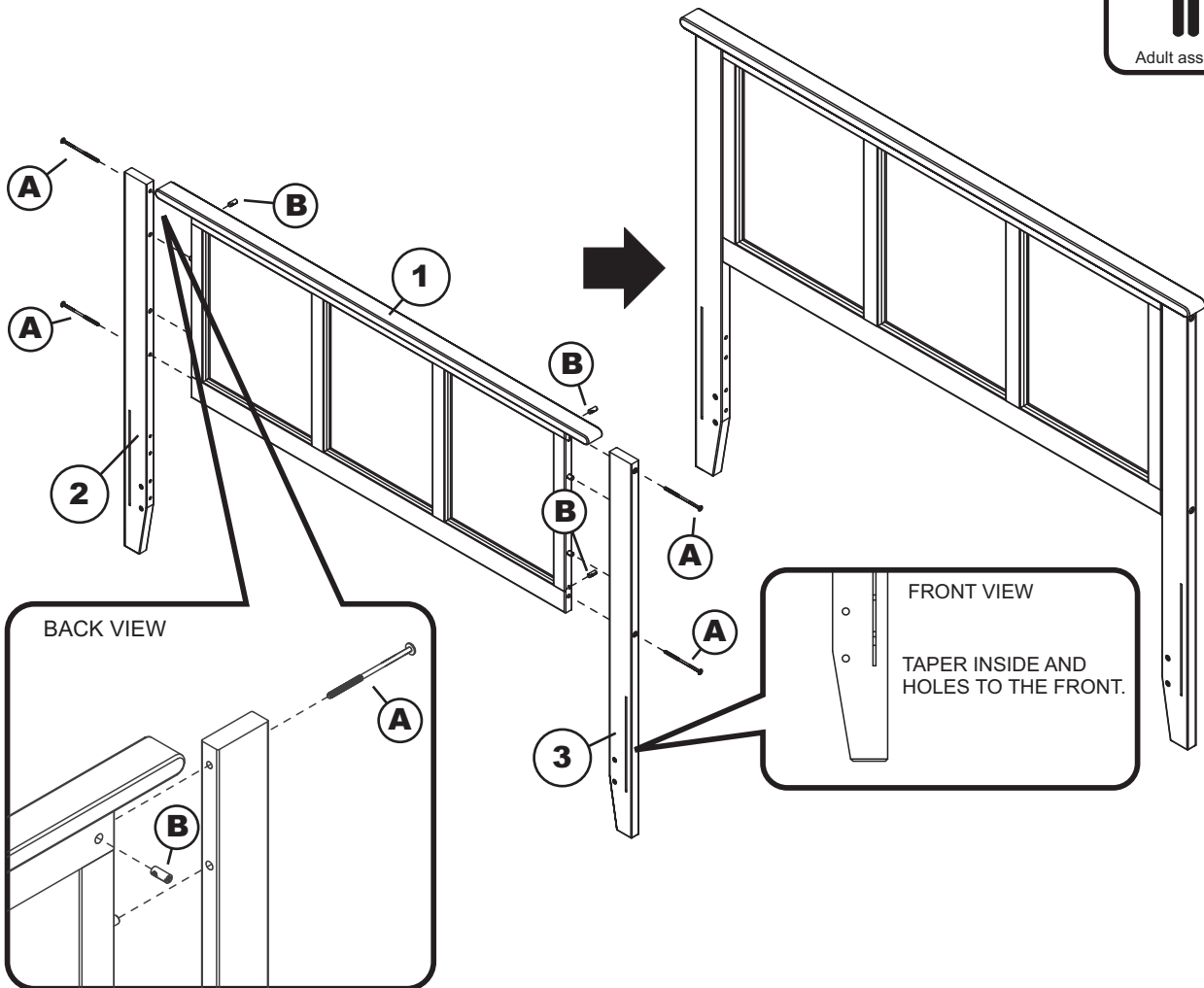
#### HARDWARE FOR METAL BED FRAME

- C** JCB M6 X 25mm (1") - 4 pcs  
Spare - 1 pc
- D** Flat washer - 4 pcs  
Spare - 1 pc
- E** Split washer - 4 pcs  
Spare - 1 pc

NOTE: WE INCLUDE SPARE HARDWARE IN CASE DAMAGE OCCURS DURING ASSEMBLY.

### Step 1

Attach the legs (2) and (3) to headboard panel (1), using JCB (A) and barrel nut (B). Tighten with the Allen wrench (F).



If you purchased a wood headboard to attach to metal bed frame, please refer to page 2.

# BED FRAME

affurnishings.com

## ASSEMBLY INSTRUCTIONS

Before assembling your bed frame, please read through these instructions carefully and familiarize yourself with the different parts.

**ATTENTION!** If you receive a damaged or defective item, please contact affurnishings at customerservice.

Instructions apply for all bed sizes  
Twin > Twin XL > Full > Queen > King

### PARTS LIST

### HARDWARE

- 1 **END RAIL** 1 PC
- 2 **TALL LEG** 2 PCS
- 3 **SHORT LEG** 2 PCS
- 4 **SIDE RAIL** 2 PCS

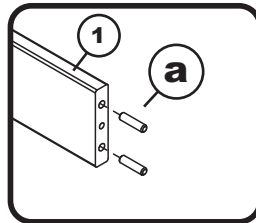
- a Wooden dowels - 4 pcs  
Spare - 1 pc
- b JCB M6 X 100mm (4") - 2 pcs  
Spare - 1 pc
- c Barrel nut - 2 pcs  
Spare - 1 pc

- d Wood button - 2 pcs  
Spare - 1 pc
- e Allen wrench - 1pc  
Spare - 1pc

NOTE: WE INCLUDE SPARE HARDWARE IN CASE DAMAGE OCCURS DURING ASSEMBLY.

### Step 1

Insert wooden dowels (a) into the locator holes on (1) both ends of end rail.

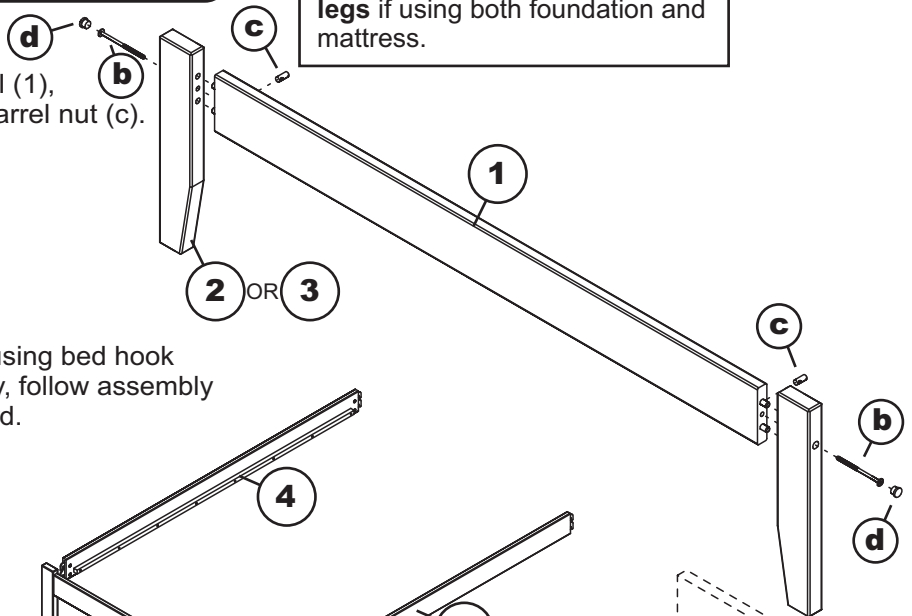


Choose the **tall legs** when using storage drawers, Trundle bed or mattress only, choose the **short legs** if using both foundation and mattress.



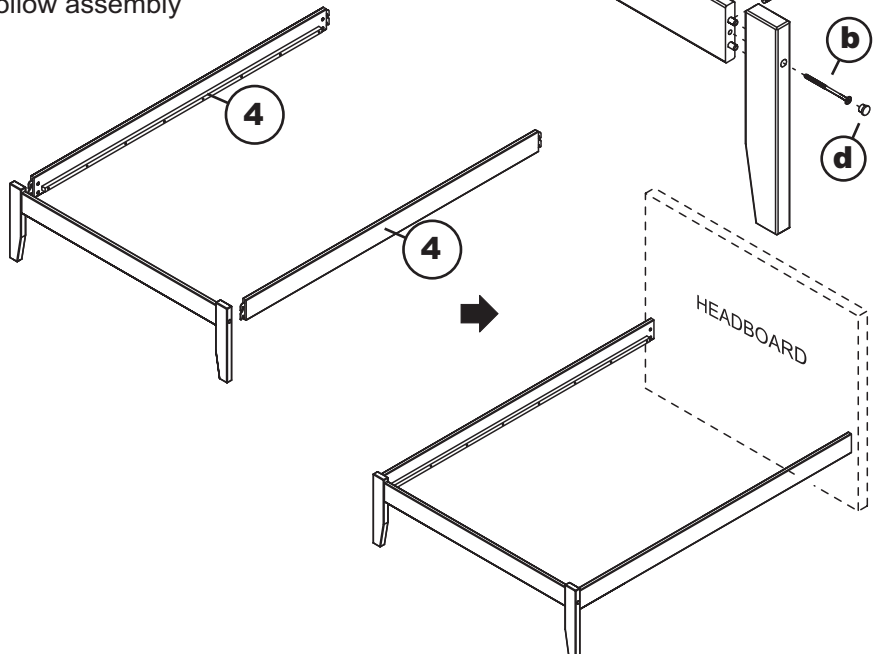
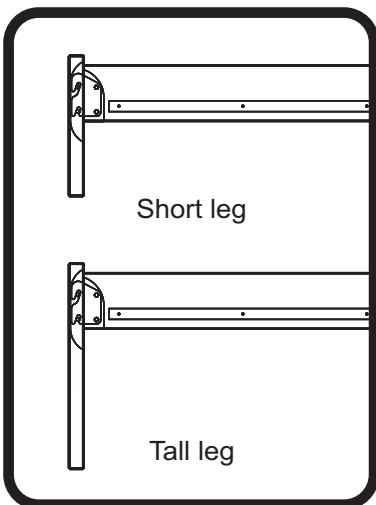
### Step 2

Attach the legs (2) or (3) to end rail (1), using JCB M6 X 100mm (b) and barrel nut (c). Tighten with the Allen wrench (e). Cover holes with wood button (d).



### Step 3

Attach side rails (4) to the end rail using bed hook as shown. For headboard assembly, follow assembly instructions included with headboard.



PO:

# FOUNDATION SUPPORT BOARDS

## ASSEMBLY INSTRUCTIONS ( TWIN XL )

Before assembling your Support boards, please read through these instructions carefully and familiarize yourself with the different parts.

Please note that you will require a Phillips screwdriver.

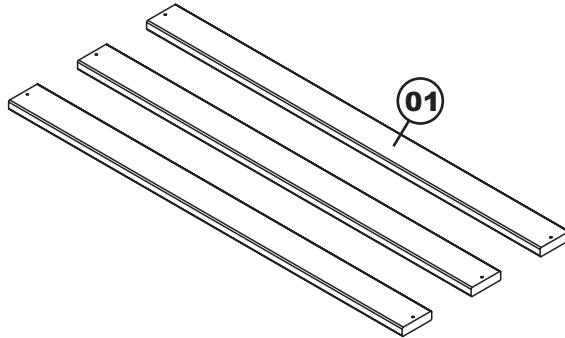
**ATTENTION!** If you receive a damaged or defective item, please contact affurnishings at customerservice.

### PARTS LIST

**01 SUPPORT BOARDS 3 PCS**

CODE	ITEM
SL-FN	E-64210

**PO :**



NOTE: WE INCLUDE SPARE HARDWARE IN CASE DAMAGE OCCURS DURING ASSEMBLY.

**A**



1 1/4" Wood screw - 6 pcs  
Spare - 1 pc

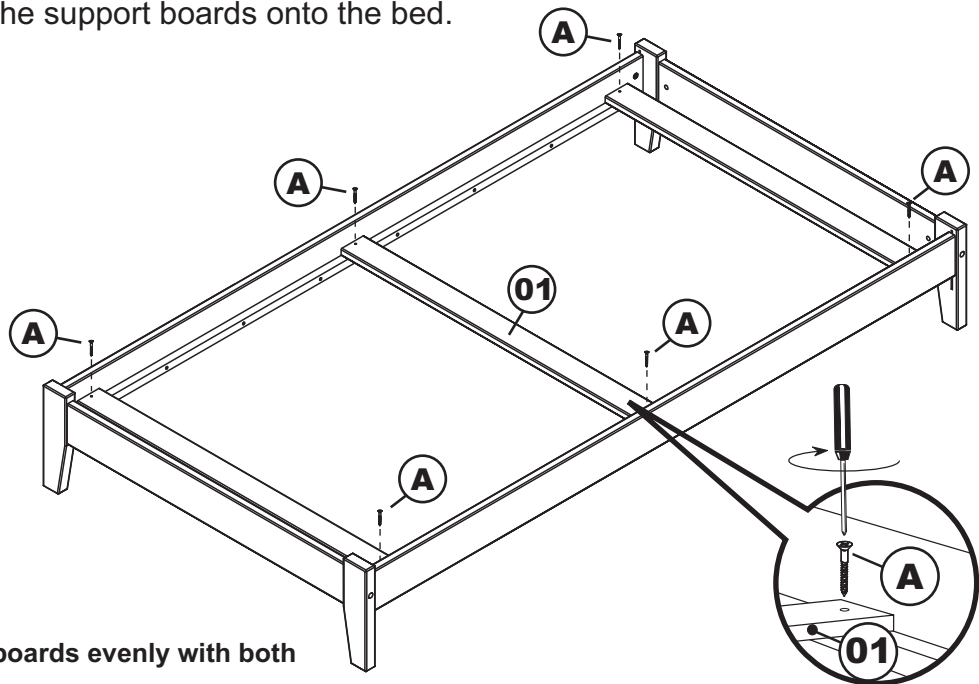
**HARDWARE**

### Step 1

Assemble bed frame according to assembly instructions.

### Step 2

Lay the support boards onto the bed.



### Step 3

**Be sure to align support boards evenly with both ends of side rails.**

Screw support boards (01) to side rails, using wood screw (A).

Tighten with Phillips screw driver. (Customer supplied)

Be sure the space between support boards is even.